



US00D745681S

(12) **United States Design Patent**
Wangler et al.

(10) **Patent No.:** **US D745,681 S**

(45) **Date of Patent:** **** Dec. 15, 2015**

(54) **CONTAINER FOR OPHTHALMOLOGIC FLUIDS**

(71) Applicant: **Oertli-Instrumente AG**, Berneck (CH)

(72) Inventors: **Christoph Wangler**, Rorschacherberg (CH); **Rüdiger Schönleber**, Münster (DE)

(73) Assignee: **OERTLI-INSTRUMENTE AG**, Berneck (CH)

(**) Term: **14 Years**

(21) Appl. No.: **29/502,153**

(22) Filed: **Sep. 12, 2014**

(30) **Foreign Application Priority Data**

Mar. 13, 2014 (WO) 800 261 401

(51) **LOC (10) Cl.** **24-00**

(52) **U.S. Cl.**
USPC **D24/172**

(58) **Field of Classification Search**
USPC D24/172, 111, 162, 160; D15/199;
422/538; 222/144.5, 207; 210/222
CPC C02F 1/481; A47G 2019/122; B05B
11/3032; B01L 3/502738

See application file for complete search history.

(56) **References Cited**

U.S. PATENT DOCUMENTS

4,605,498	A *	8/1986	Kulish	210/222
5,042,691	A *	8/1991	Maldonado	222/144.5
D336,514	S *	6/1993	Valerio et al.	D24/111
D545,967	S *	7/2007	Joyce et al.	D24/160
D690,813	S *	10/2013	Bizzell et al.	D24/162
D693,467	S *	11/2013	Doucette et al.	D24/162
D703,717	S *	4/2014	Williams	D15/199
D706,930	S *	6/2014	Lin et al.	D24/162
D717,438	S *	11/2014	Lin et al.	D24/162
2012/0193376	A1 *	8/2012	Evans et al.	222/207
2013/0142709	A1 *	6/2013	Lin et al.	422/538

* cited by examiner

Primary Examiner — Holly Baynham

Assistant Examiner — Rhea Shields

(74) *Attorney, Agent, or Firm* — Browdy and Neimark, PLLC

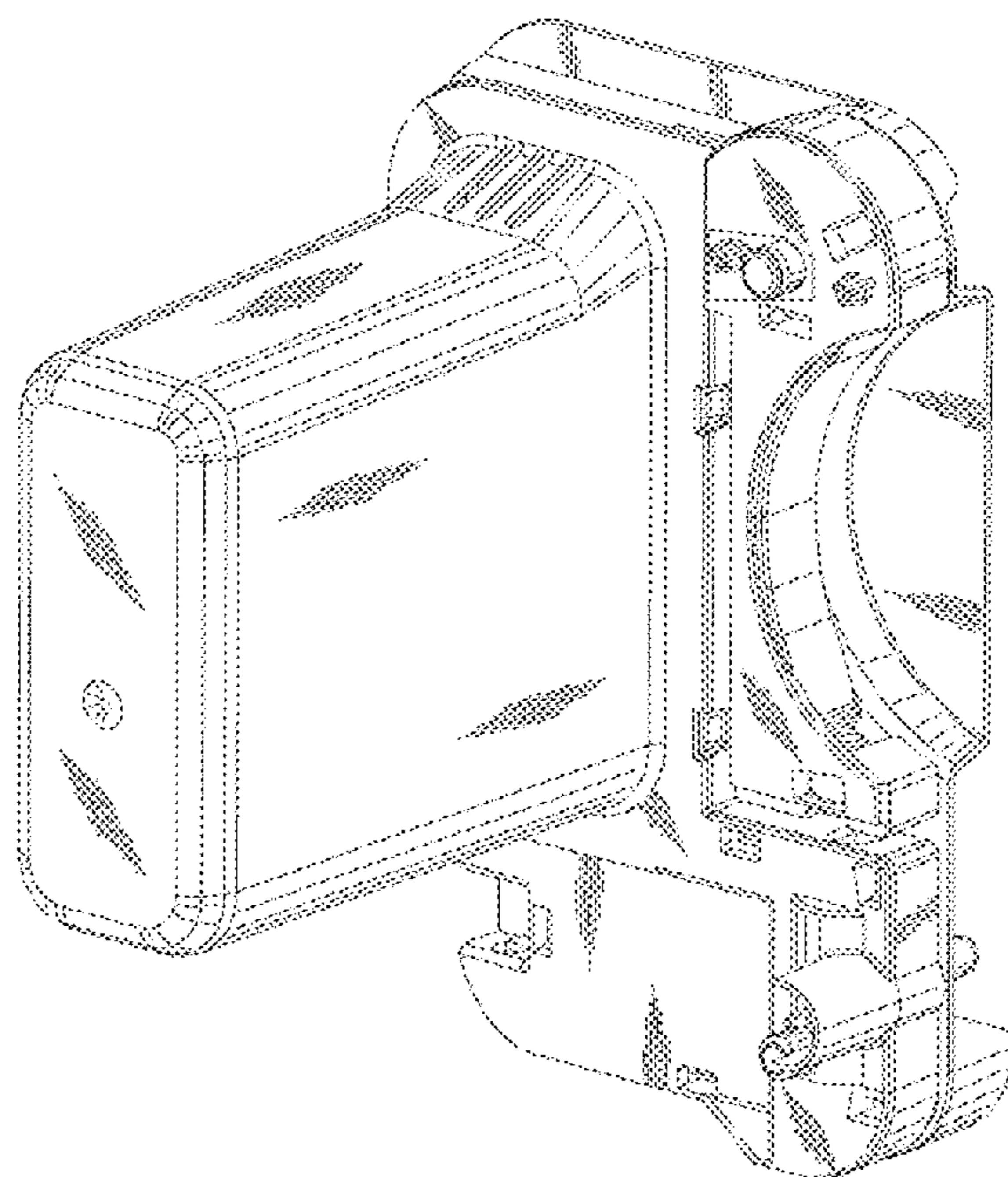
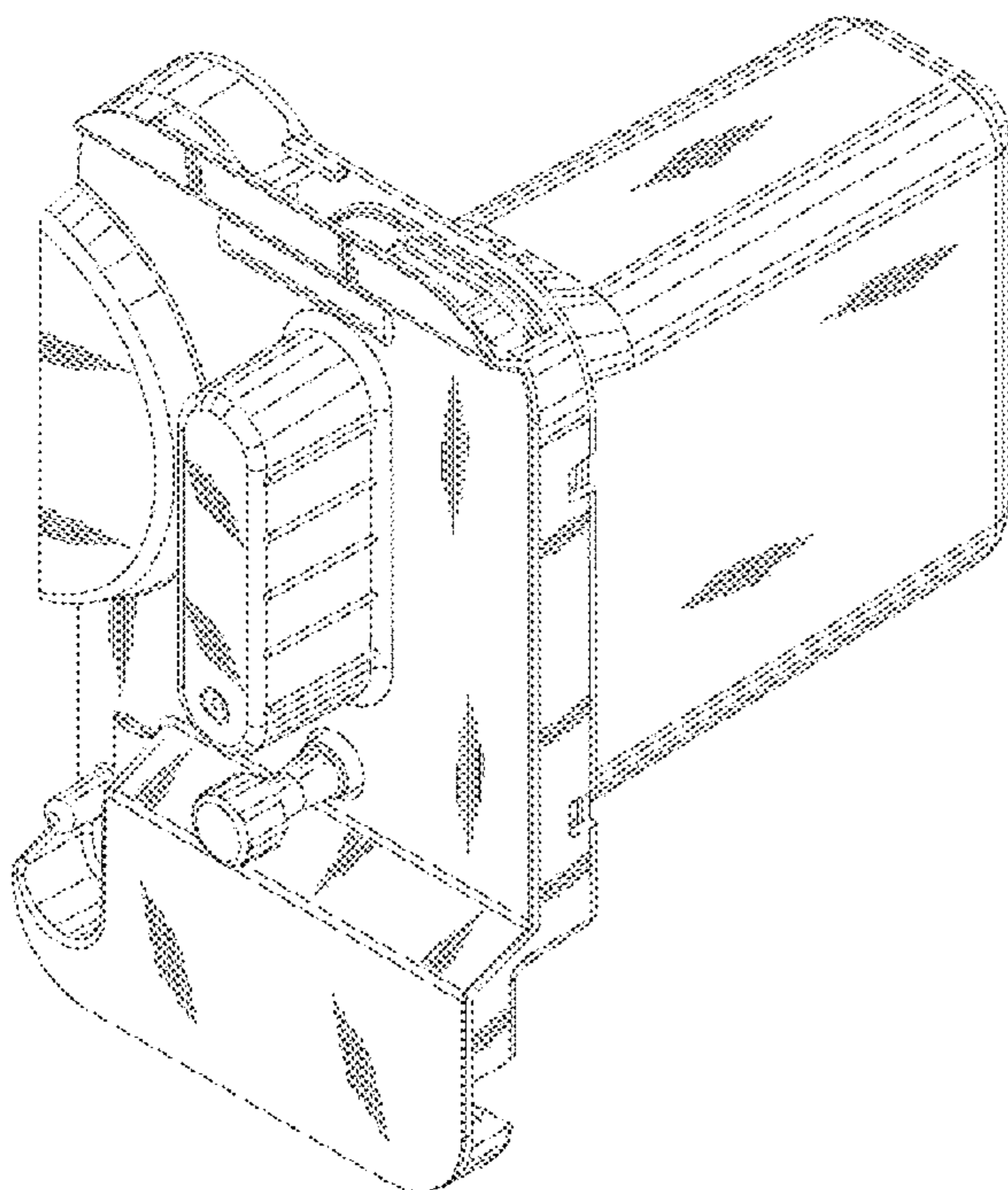
(57) **CLAIM**

The ornamental design for a container for ophthalmologic fluids, as shown and described.

DESCRIPTION

FIG. 1 is a right side view of a container for ophthalmologic fluids according to the present design;
FIG. 2 is a top view thereof;
FIG. 3 is a bottom view thereof;
FIG. 4 is a front perspective view thereof;
FIG. 5 is a rear perspective view thereof;
FIG. 6 is a left side view thereof;
FIG. 7 is a rear view thereof; and,
FIG. 8 is a top view thereof.

1 Claim, 8 Drawing Sheets



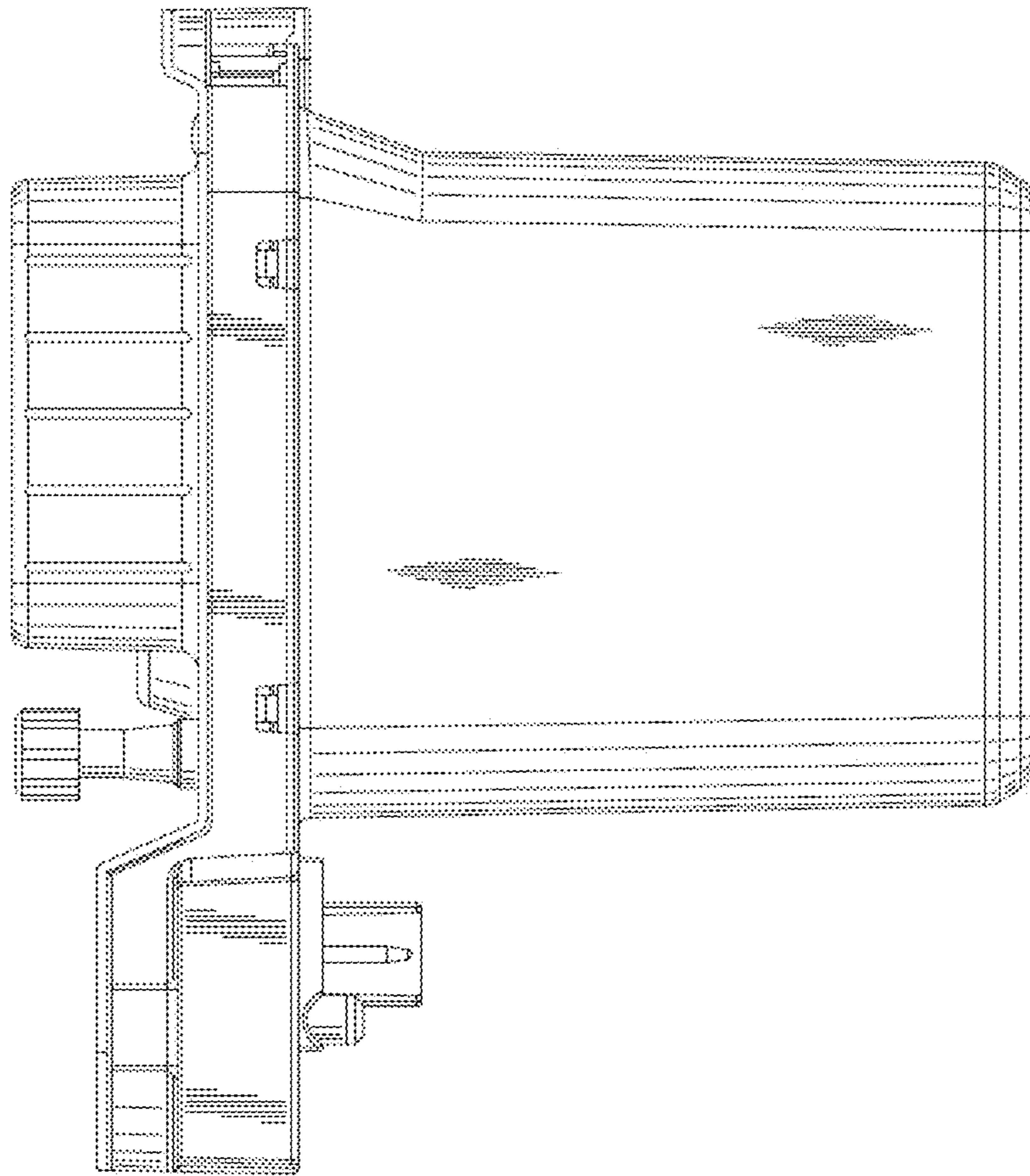


Fig. 1

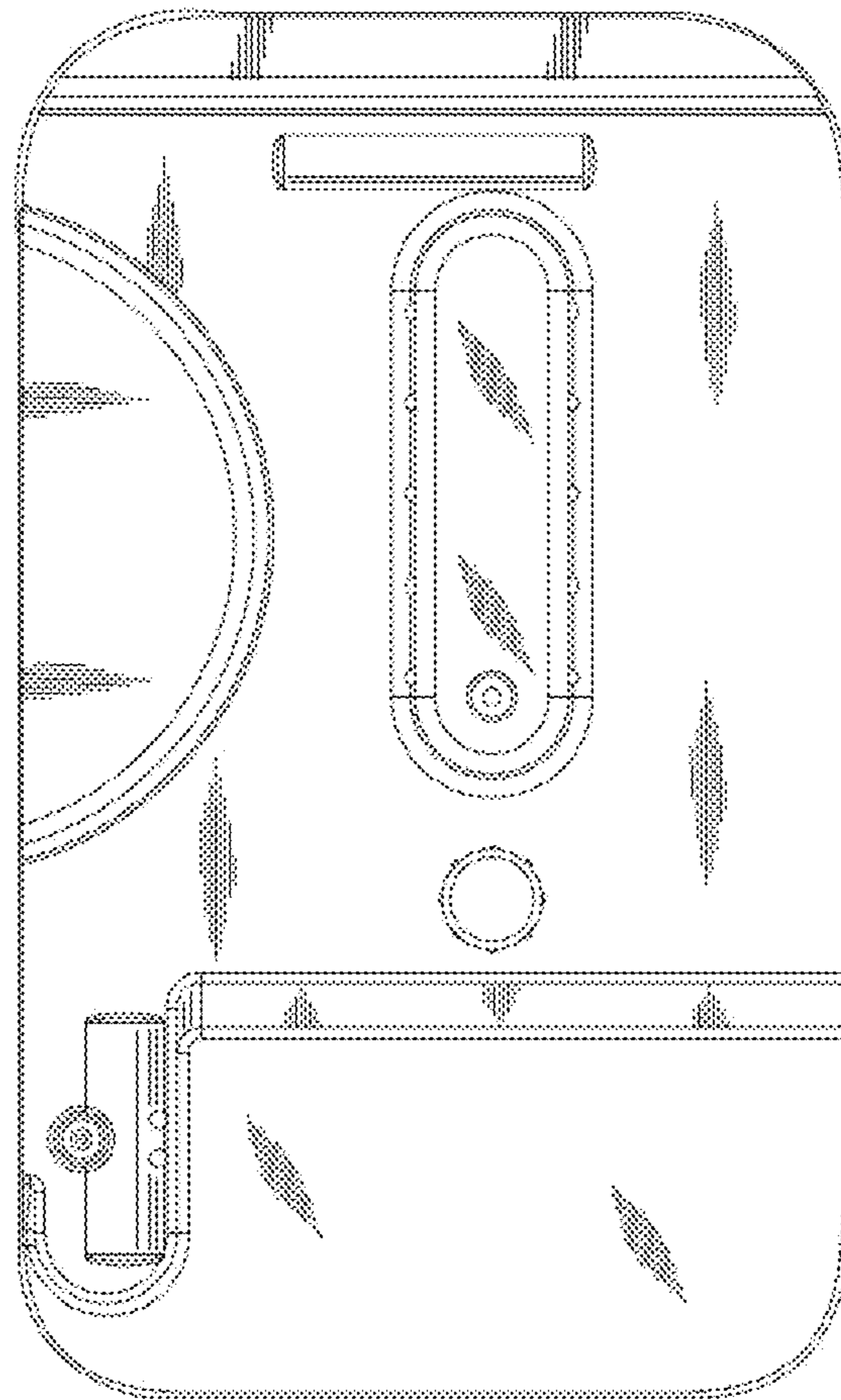


Fig. 2

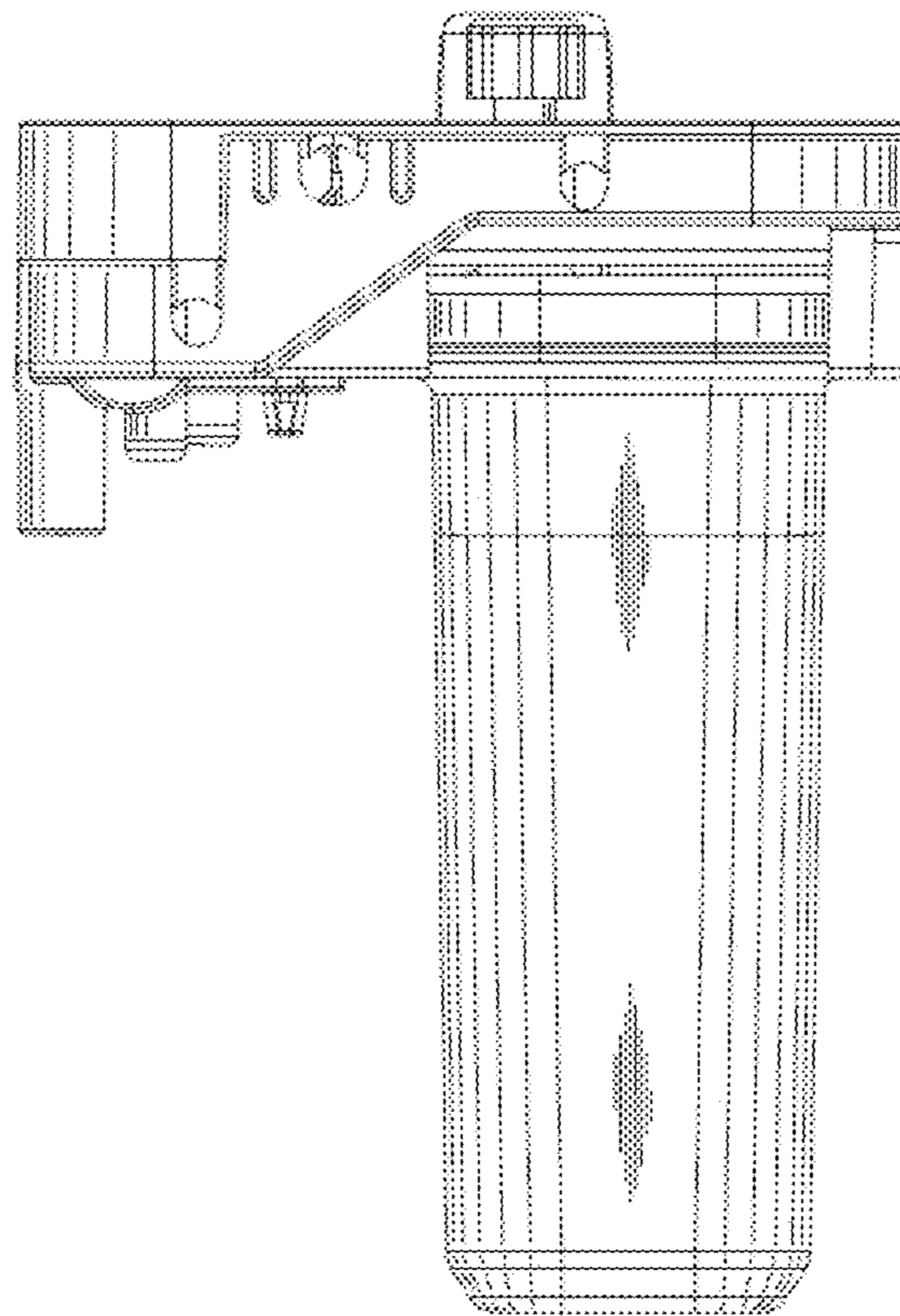


Fig. 3

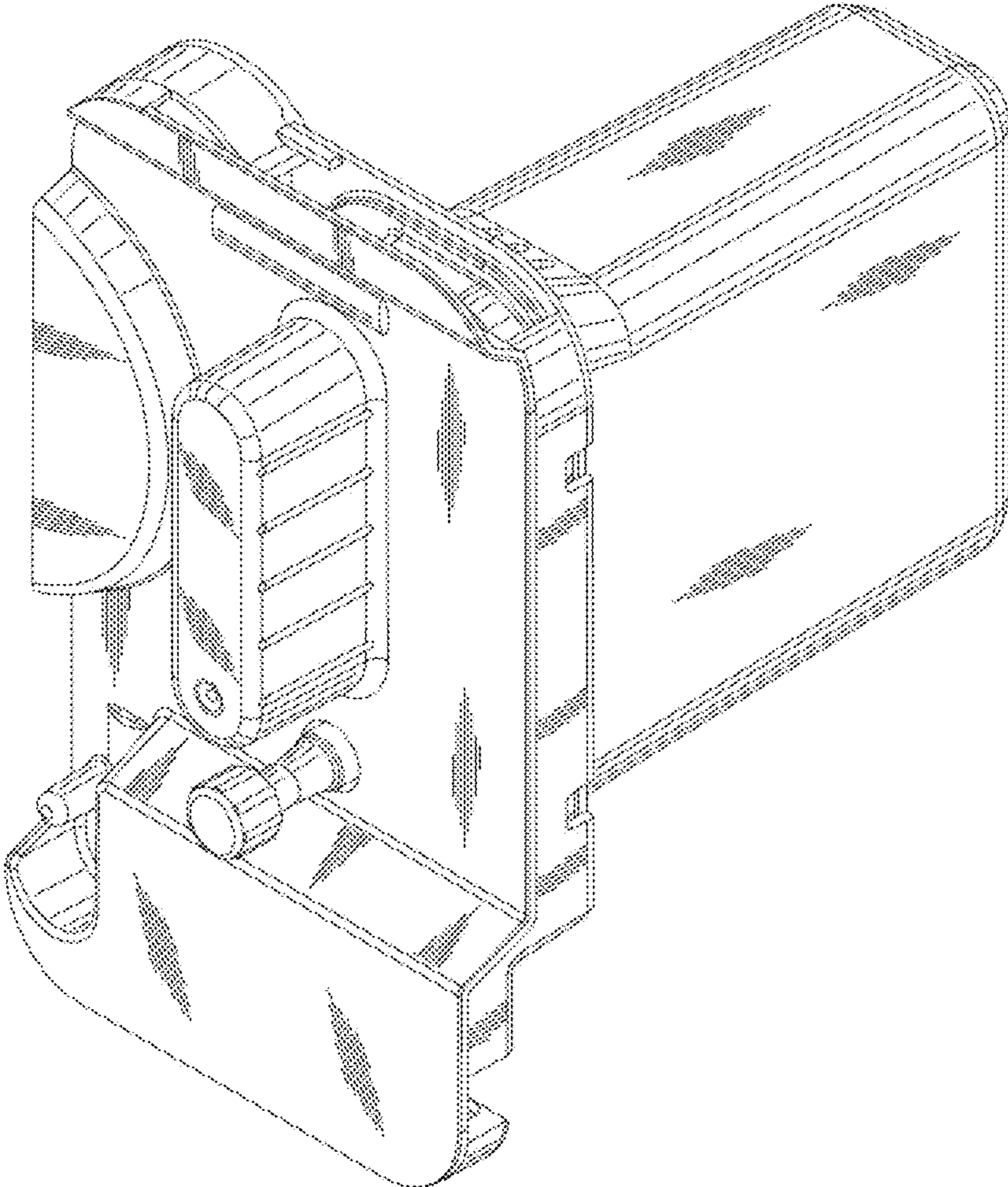


Fig. 4

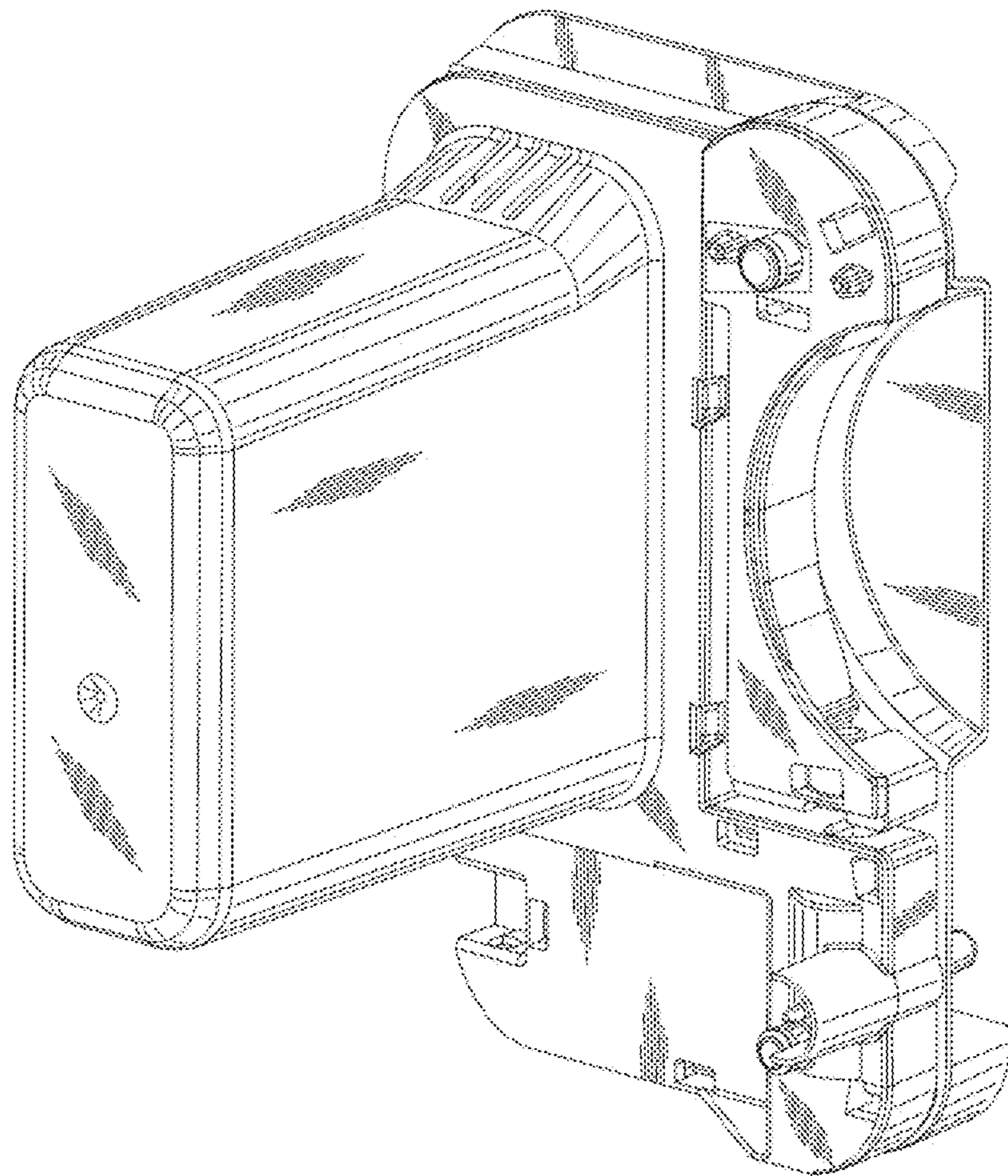


Fig. 5

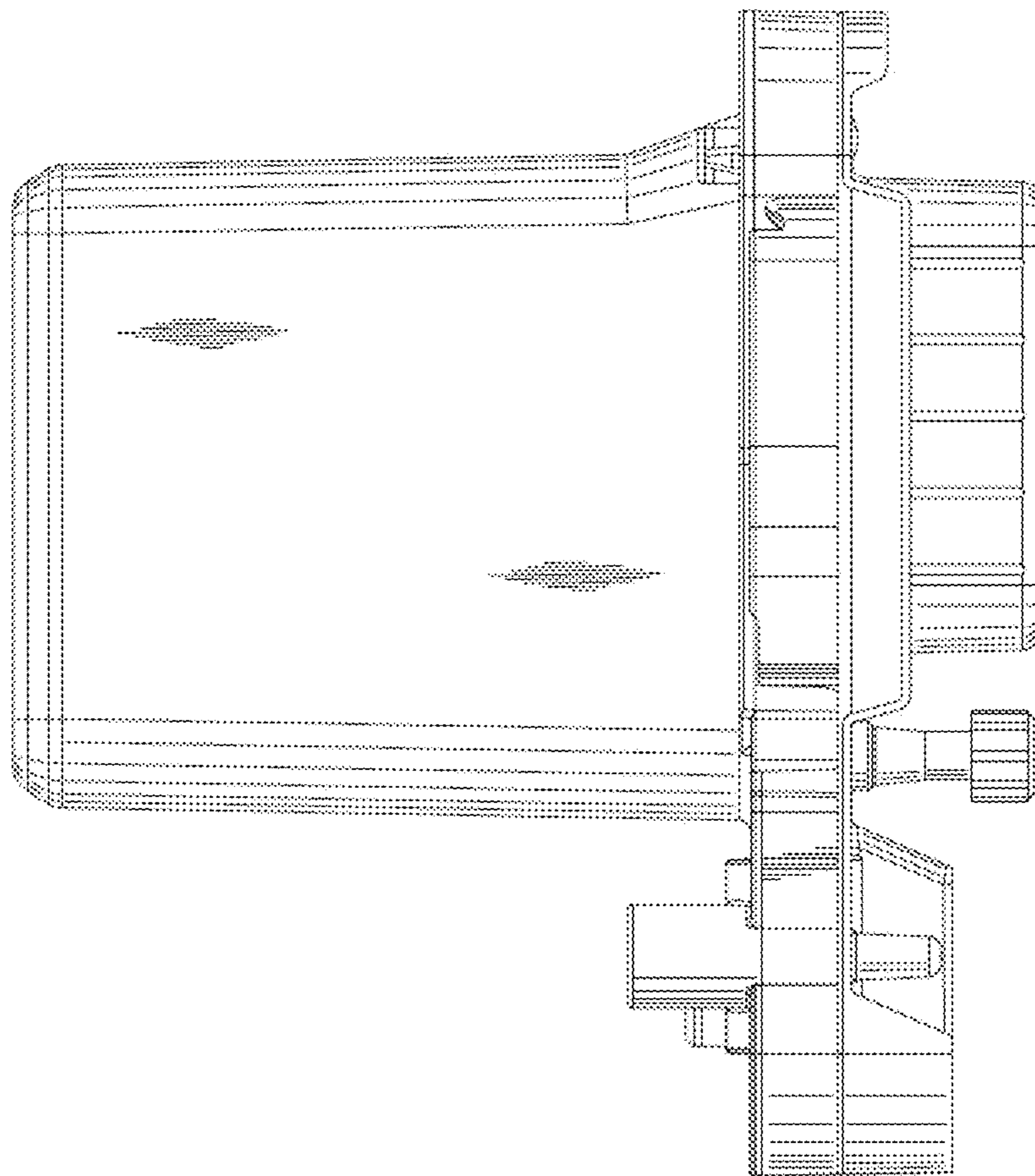


Fig. 6

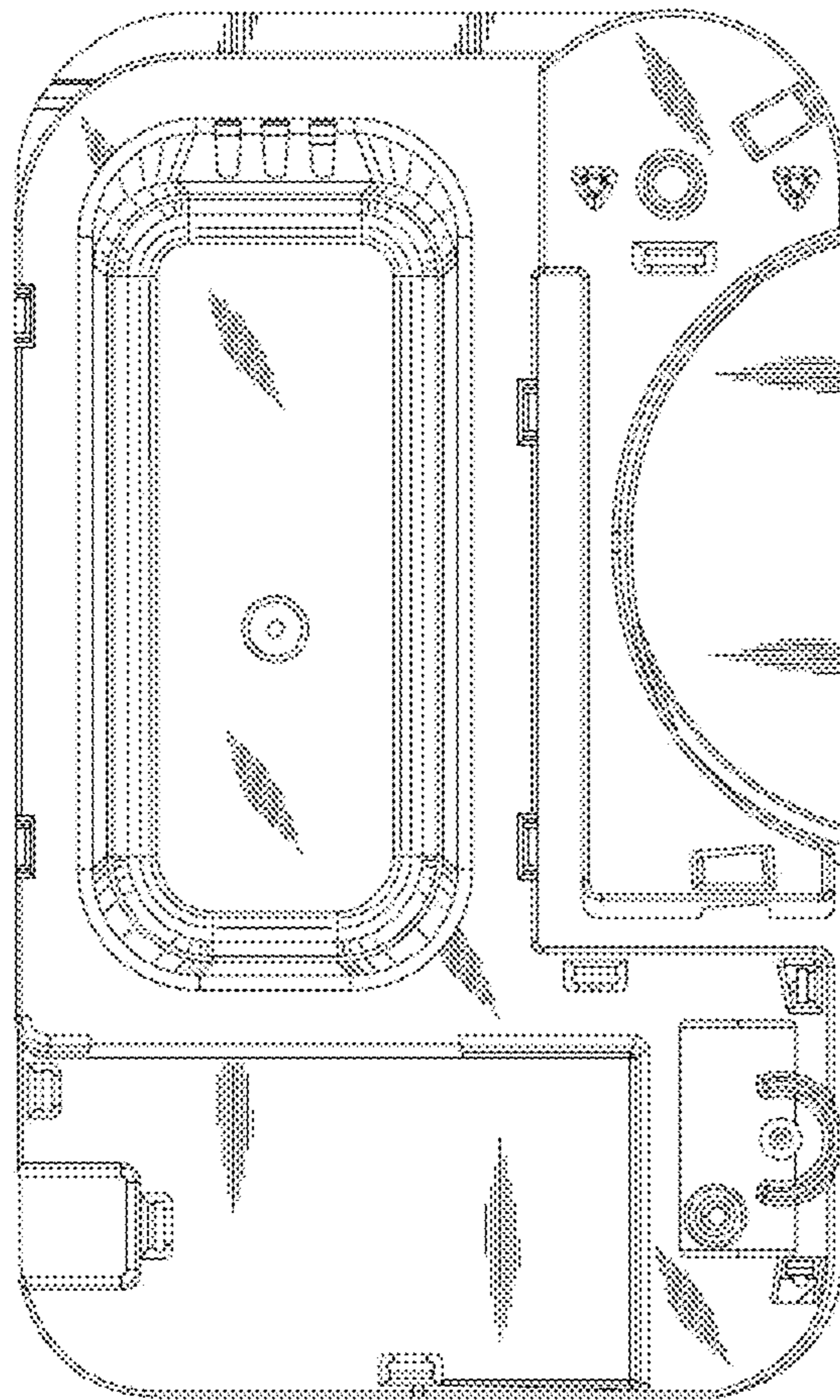


Fig. 7

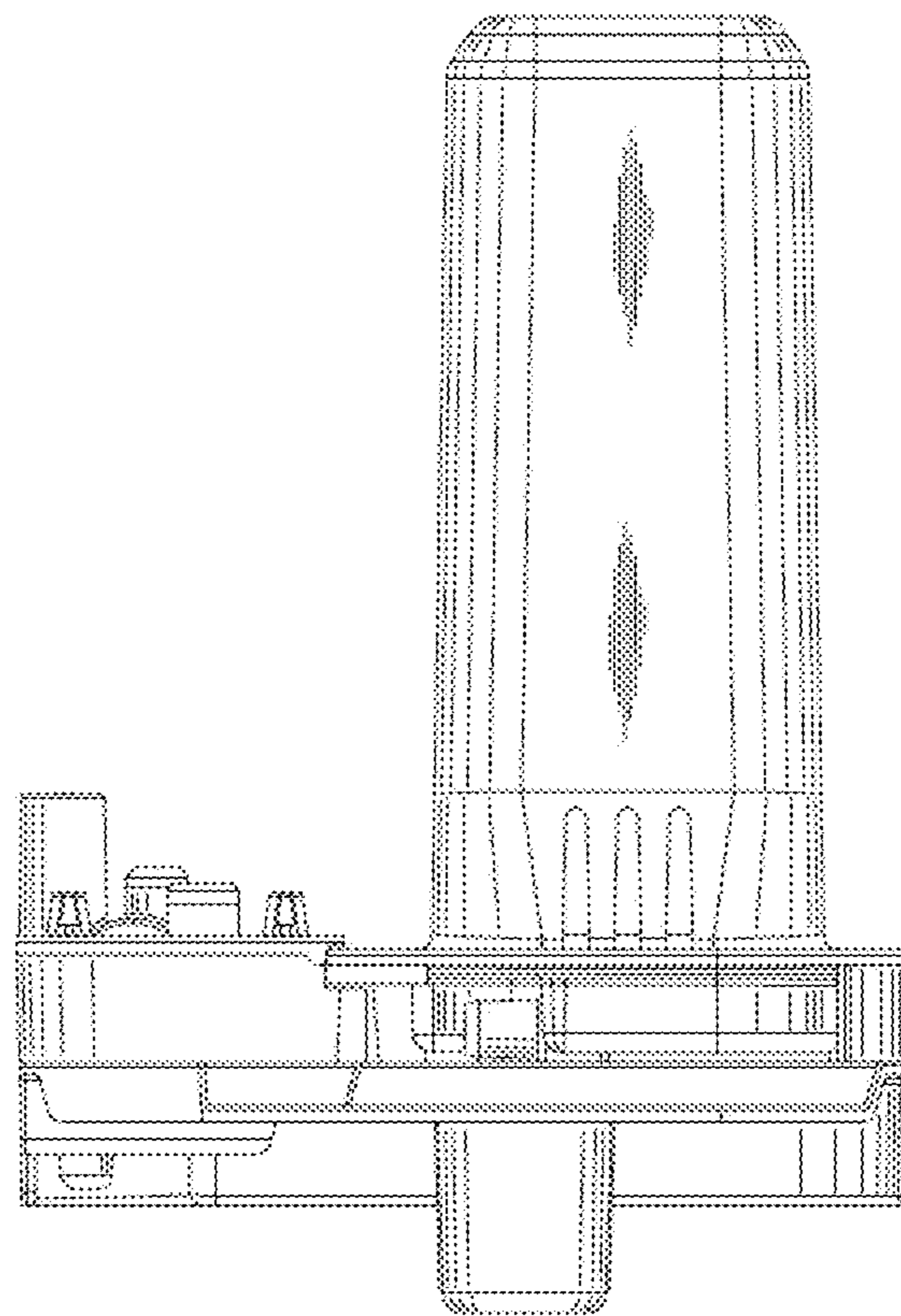


Fig. 8