



US00D745680S

(12) **United States Design Patent**
Gelissen

(10) **Patent No.:** **US D745,680 S**
(45) **Date of Patent:** **** Dec. 15, 2015**

- (54) **INSTRUMENT COLUMN**
- (71) Applicant: **Topcon Europe Medical B.V.**, Capelle Aan Den Ijssel (NL)
- (72) Inventor: **Petrus Jacobus Wilhelmus Gelissen**, Capelle Aan Den Ijssel (NL)
- (73) Assignee: **Topcon Europe Medical B.V.**, Capelle Aan Den Ijssel (NL)
- (**) Term: **14 Years**
- (21) Appl. No.: **29/499,163**
- (22) Filed: **Aug. 12, 2014**
- (30) **Foreign Application Priority Data**
Feb. 12, 2014 (EM) 002403501-0001
- (51) **LOC (10) Cl.** **24-00**
- (52) **U.S. Cl.**
USPC **D24/172**
- (58) **Field of Classification Search**
USPC D24/172, 128, 158, 185; D26/68; D25/126; D8/363; D13/139.5; 351/306; D14/307; 248/370, 156
CPC A47C 3/0255; A45F 3/44
See application file for complete search history.

D710,013 S *	7/2014	Li et al.	D24/158
D713,036 S *	9/2014	Sul	D24/158
D713,037 S *	9/2014	Sul	D24/158
D713,038 S *	9/2014	Sul	D24/158
D714,447 S *	9/2014	Sul	D24/158
D714,941 S *	10/2014	Kim	D24/158
D715,441 S *	10/2014	Li et al.	D24/158
D715,443 S *	10/2014	Sul	D24/158
D715,938 S *	10/2014	Li et al.	D24/158
D715,940 S *	10/2014	Li et al.	D24/158
D715,941 S *	10/2014	Li et al.	D24/158
D717,785 S *	11/2014	Winston et al.	D14/307
D721,696 S *	1/2015	Birgeoglu	D14/307
D725,778 S *	3/2015	Sul	D24/158
2010/0033676 A1 *	2/2010	De Vries et al.	351/206

* cited by examiner

Primary Examiner — Brandon M Rosati
Assistant Examiner — Rhea Shields
(74) *Attorney, Agent, or Firm* — Abelman, Frayne & Schwab

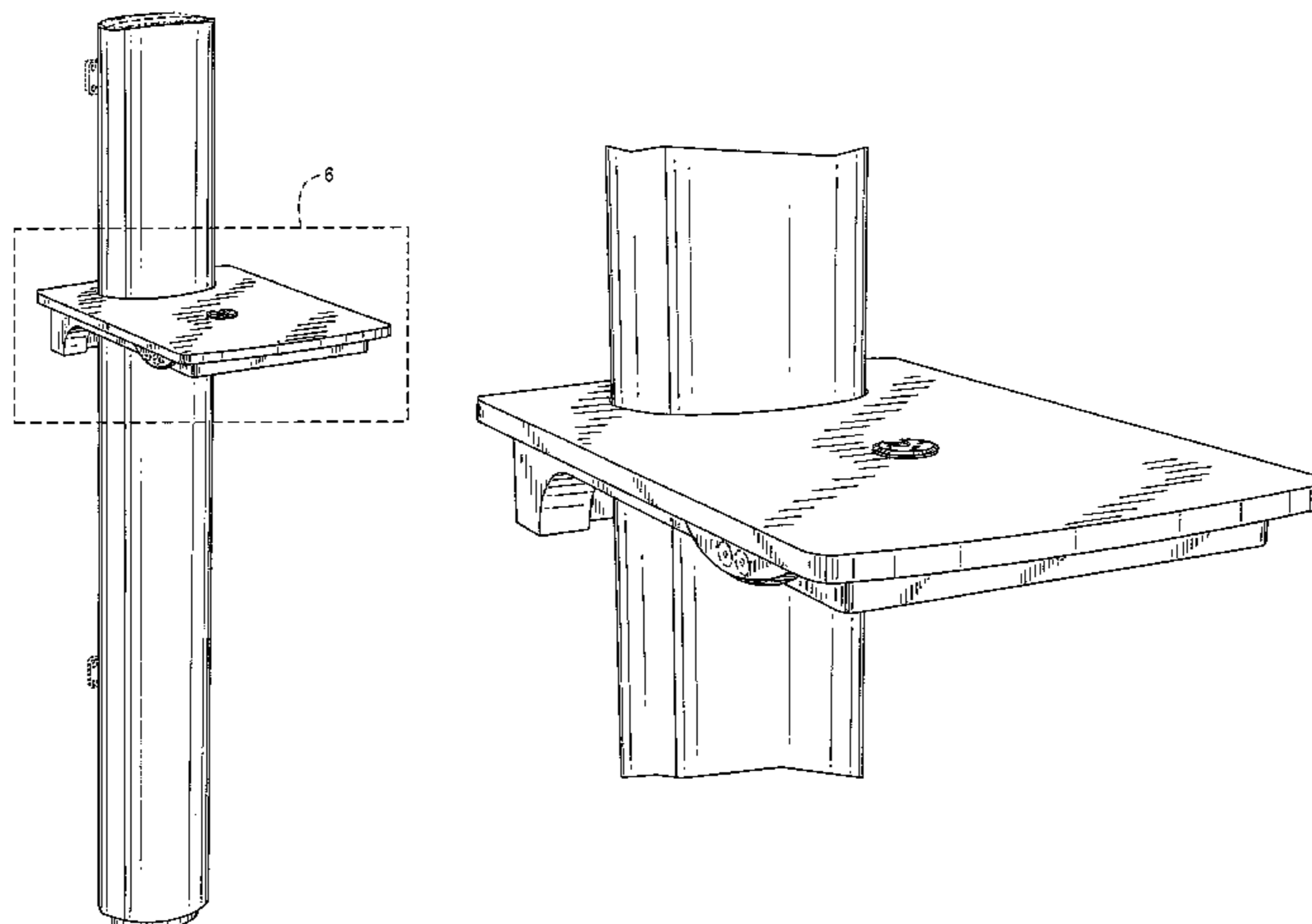
(57) **CLAIM**
The ornamental design for the instrument column, as shown and described.

DESCRIPTION

FIG. 1 is a top, front and left side perspective view of the instrument column according to my new design;
FIG. 2 is an enlarged top plan view thereof;
FIG. 3 is a front elevational view thereof;
FIG. 4 is a right side elevational view thereof;
FIG. 5 is a left side elevational view thereof;
FIG. 6 is an enlarged view of the table shown in the broken line box of FIG. 1; and,
FIG. 7 is a top, front and right side perspective view of the instrument column according to my new design and shown in an alternate position.
The uniform broken lines shown in the drawings illustrate portions of the instrument column that form no part of the claimed design. The dash-dot broken lines illustrate boundaries between claimed and unclaimed surfaces which form no part of the claimed design.

1 Claim, 7 Drawing Sheets

- (56) **References Cited**
U.S. PATENT DOCUMENTS
- | | | | |
|---------------|---------|----------------------|-----------|
| 5,126,928 A * | 6/1992 | Hughes | 362/287 |
| D354,350 S * | 1/1995 | Pryor et al. | D24/128 |
| D372,320 S * | 7/1996 | Brady | D26/68 |
| D473,846 S * | 4/2003 | Hellwig et al. | D13/139.5 |
| D561,569 S * | 2/2008 | Wohlford et al. | D8/363 |
| D648,447 S * | 11/2011 | Sims | D25/126 |
| D683,454 S * | 5/2013 | Malmen | D24/158 |
| D690,011 S * | 9/2013 | Yanase et al. | D24/158 |
| D695,937 S * | 12/2013 | Duquette et al. | D26/68 |
| D704,339 S * | 5/2014 | Mattiuazzo | D24/158 |
| D704,340 S * | 5/2014 | Mattiuazzo | D24/158 |
| D710,012 S * | 7/2014 | Polhamus | D24/158 |



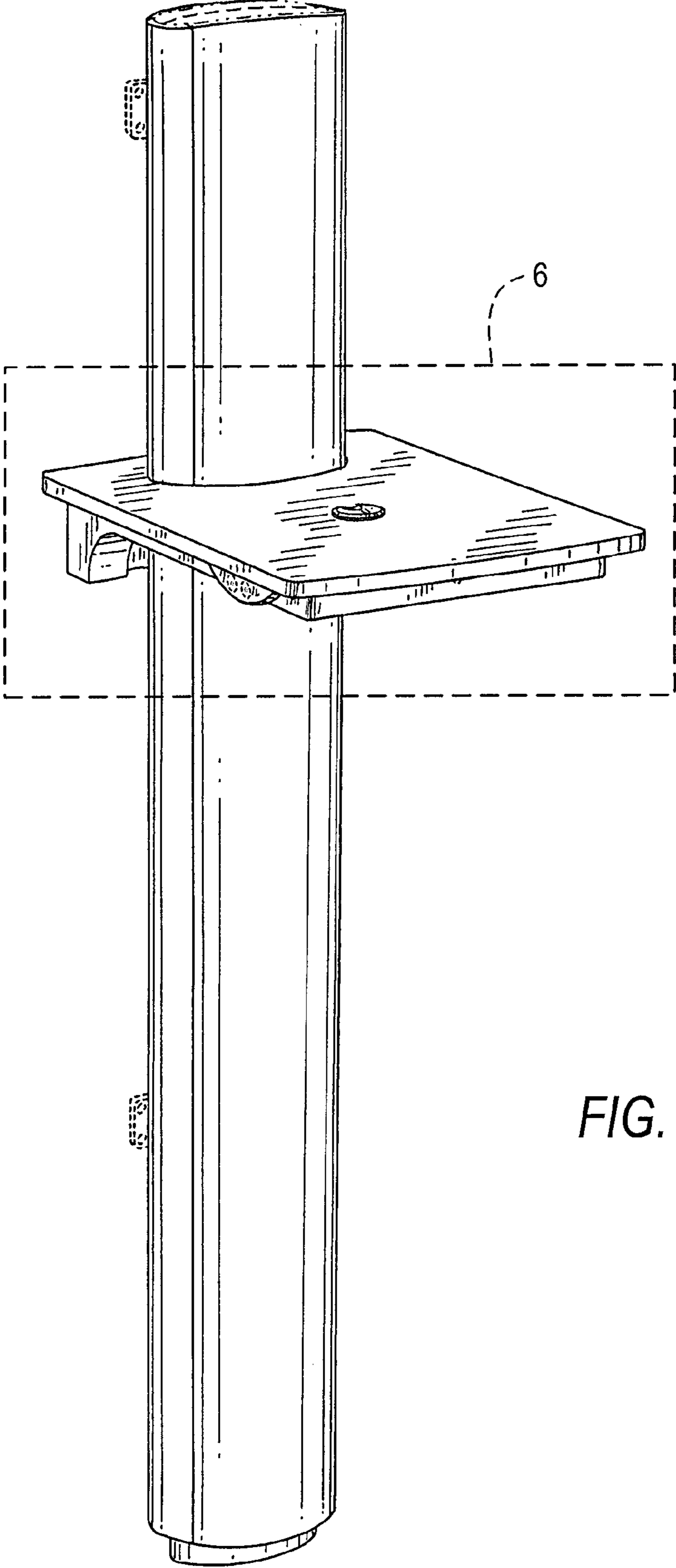


FIG. 1

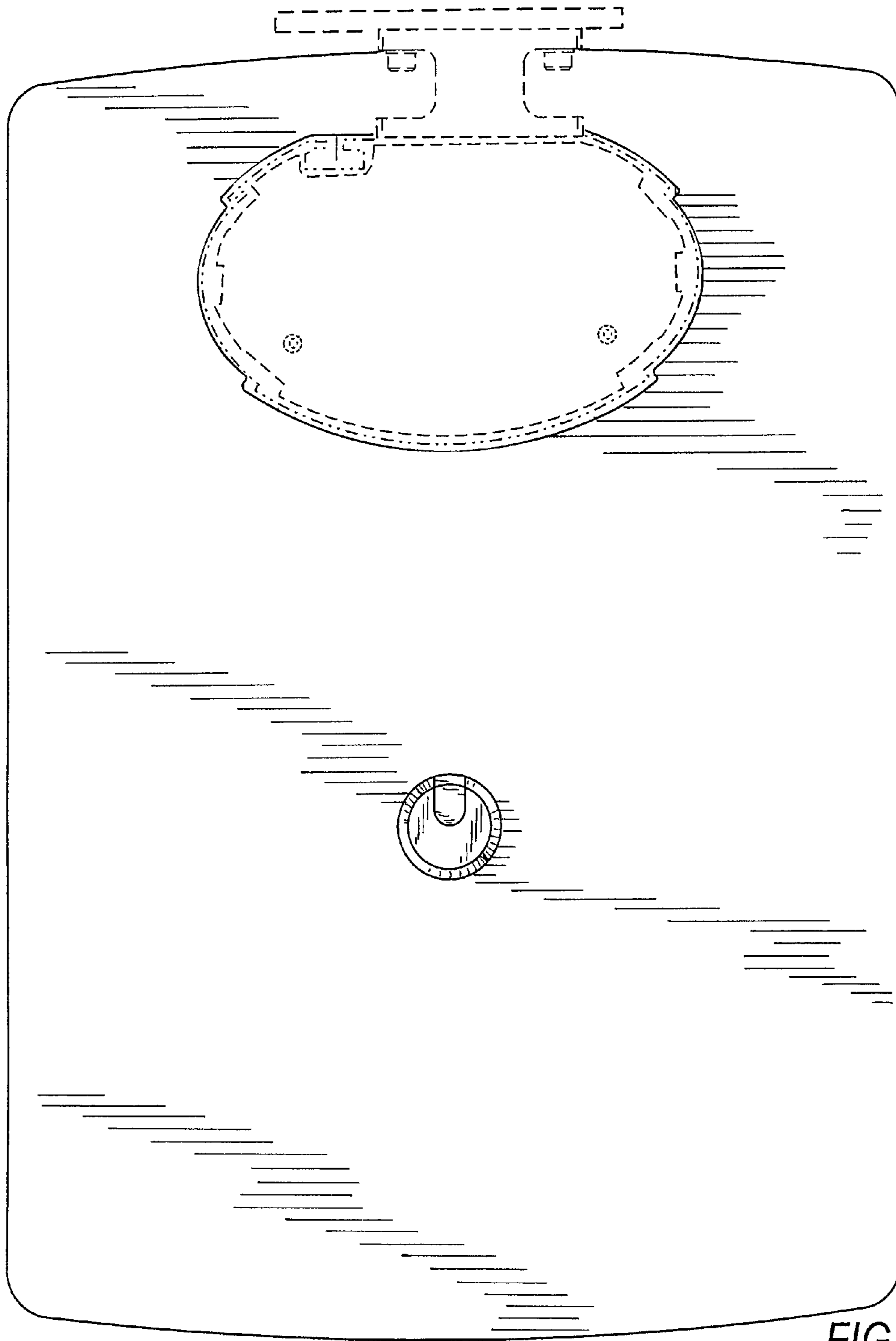


FIG. 2

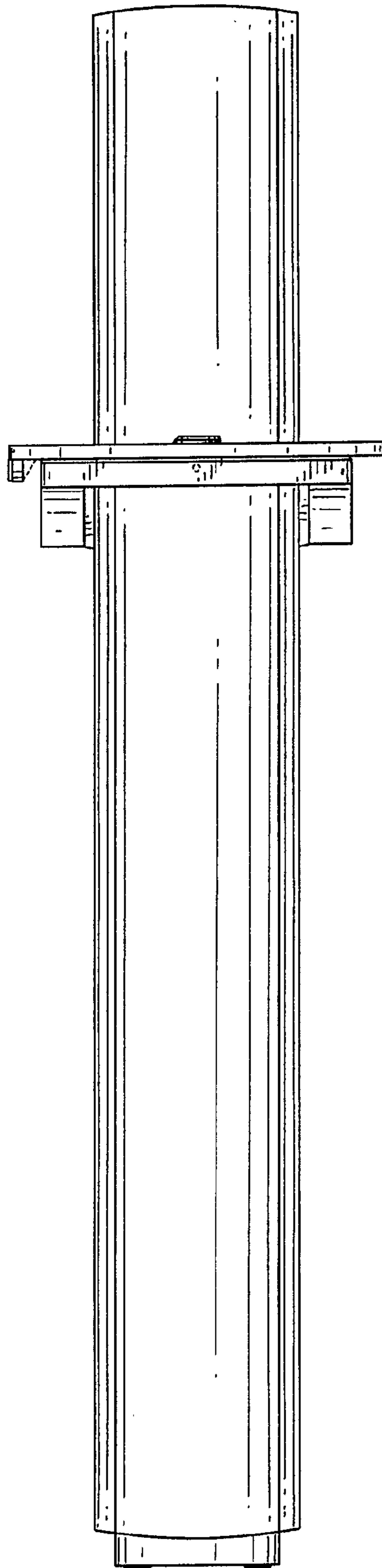


FIG. 3

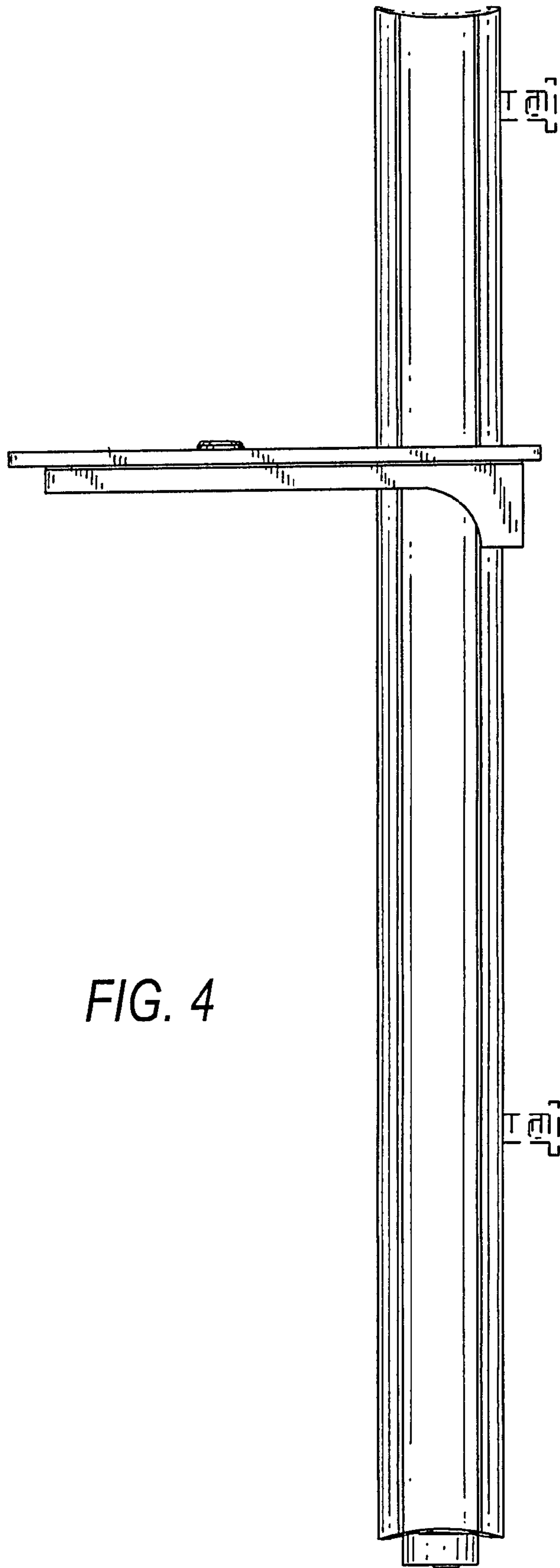


FIG. 4

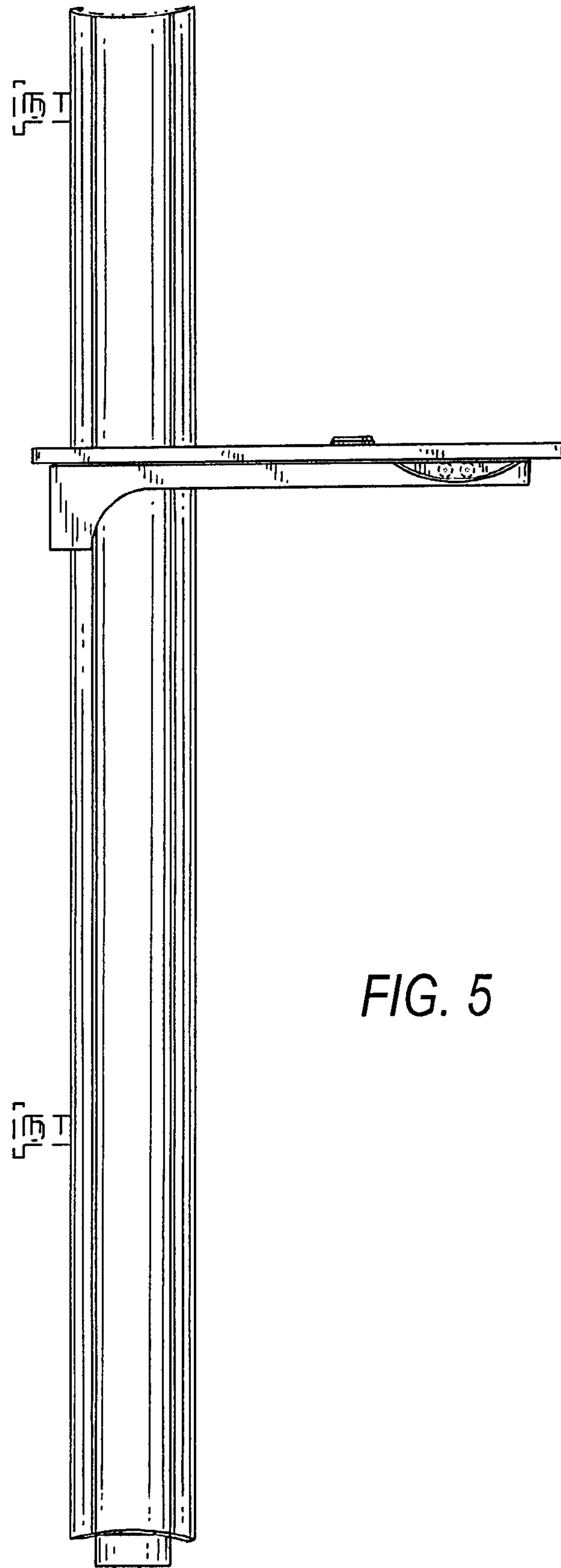


FIG. 5

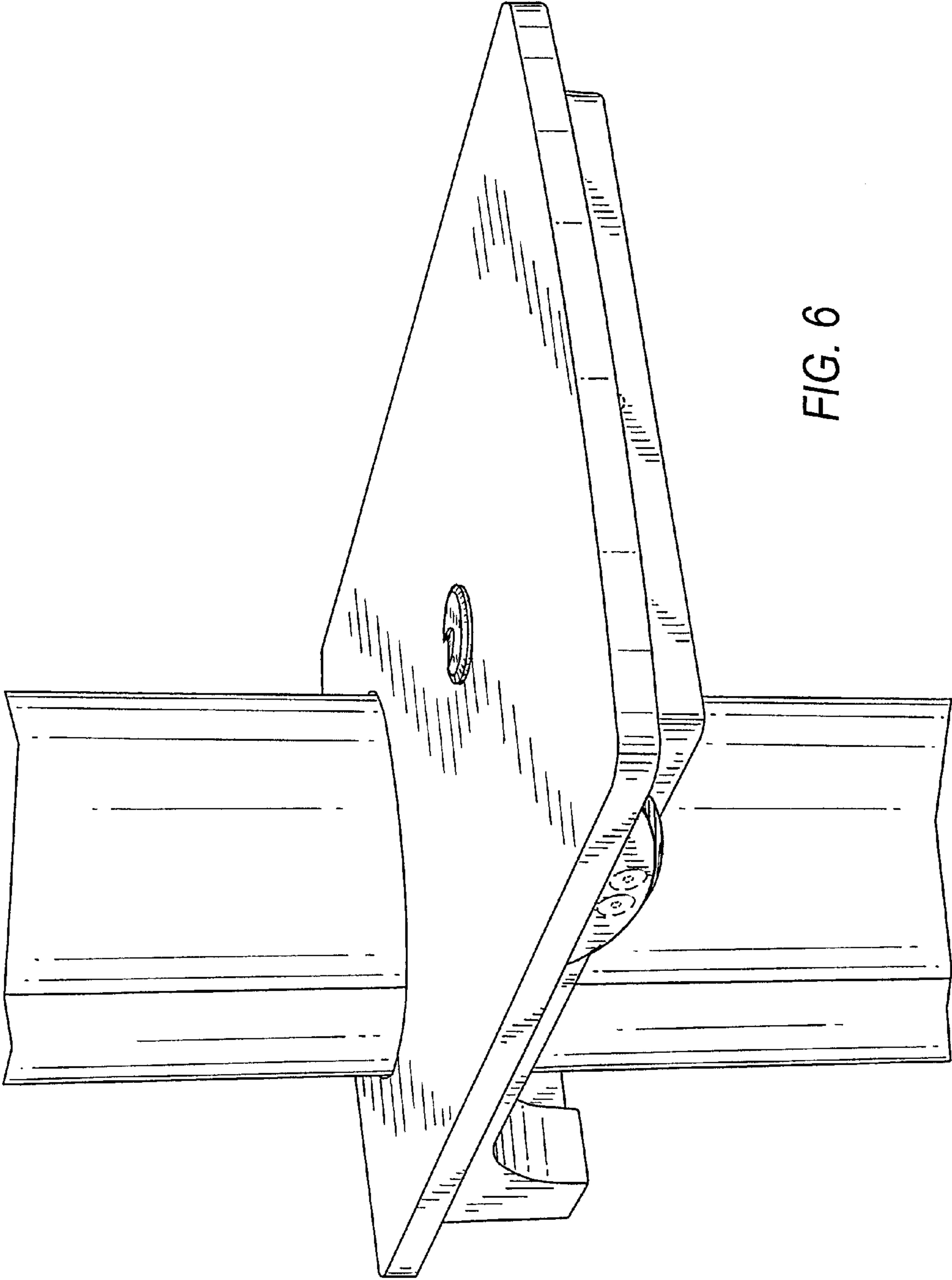


FIG. 6

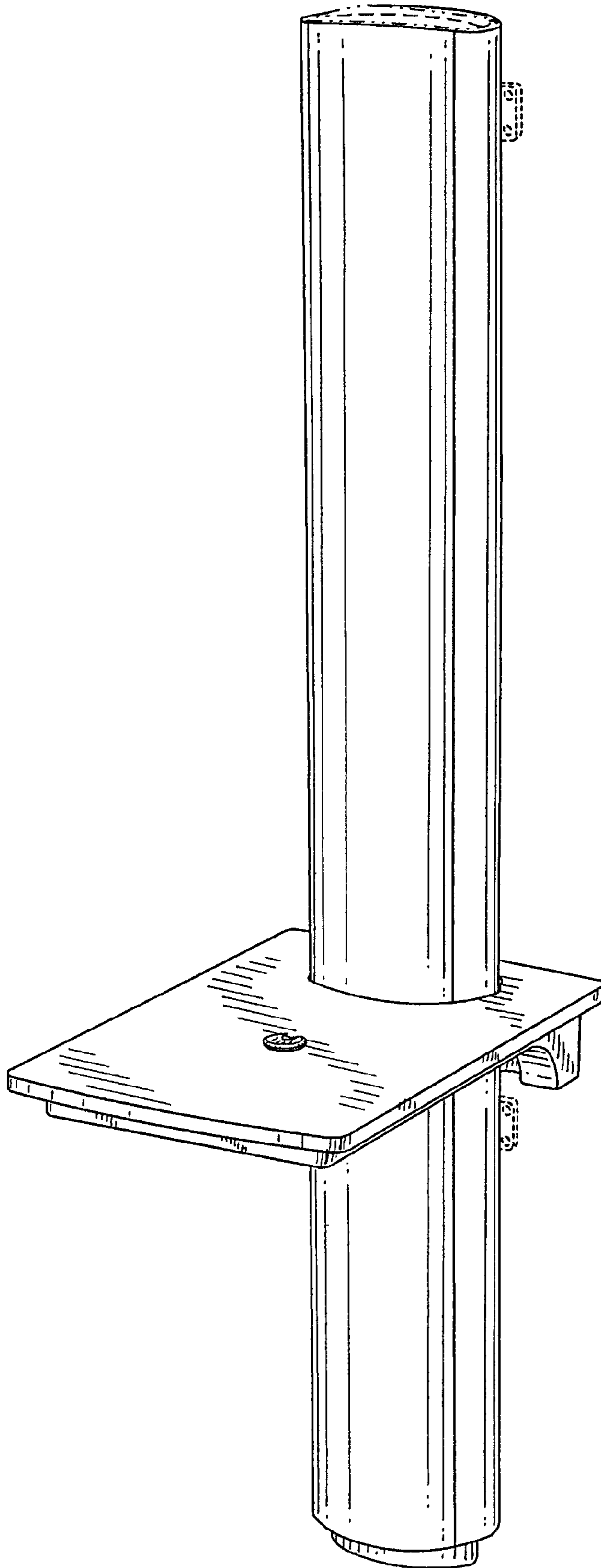


FIG. 7