



US00D745678S

(12) **United States Design Patent**
Courtney et al.

(10) **Patent No.:** **US D745,678 S**
(45) **Date of Patent:** **** Dec. 15, 2015**

(54) **PROSTHESIS ANCHOR**
(71) Applicant: **TORNIER, INC.**, Bloomington, MN (US)
(72) Inventors: **Robert Courtney**, Pierceton, IN (US);
Austin W. Mutchler, Warsaw, IN (US);
Jeffrey M. Ondrla, Warsaw, IN (US)
(73) Assignee: **Tornier, Inc.**, Bloomington, MN (US)
(**) Term: **14 Years**

5,032,132 A 7/1991 Matsen et al.
5,080,673 A 1/1992 Burkhead et al.
5,163,964 A 11/1992 Lazzeri et al.
5,171,277 A 12/1992 Roger
5,257,995 A 11/1993 Umber et al.
5,282,865 A 2/1994 Dong
5,358,526 A * 10/1994 Tornier 623/19.14
5,489,309 A 2/1996 Lackey et al.
5,489,310 A 2/1996 Mikhail
5,507,817 A 4/1996 Craig et al.
5,540,697 A 7/1996 Rehmann et al.
5,702,486 A 12/1997 Craig et al.

(Continued)

(21) Appl. No.: **29/456,077**
(22) Filed: **May 28, 2013**

FOREIGN PATENT DOCUMENTS

DE 4220217 A1 12/1993
DE 10233204 A1 1/2004

(Continued)

Related U.S. Application Data

(62) Division of application No. 29/365,240, filed on Jul. 6, 2010, now Pat. No. Des. 685,474.
(51) **LOC (10) Cl.** **24-02**
(52) **U.S. Cl.**
USPC **D24/155**
(58) **Field of Classification Search**
USPC D24/155, 156, 133, 152, 154, 135,
D24/144-146, 151; 606/99, 100, 264, 266,
606/280, 319, 329; 623/19.11, 19.13,
623/19.14, 20.11, 20.2, 23.42, 23.46-23.48
See application file for complete search history.

Primary Examiner — Susan Bennett Hattan
Assistant Examiner — Charles Hanson
(74) *Attorney, Agent, or Firm* — Knobbe Martens Olson & Bear LLP

(57) **CLAIM**

The ornamental design for prosthesis anchor, as shown and described.

DESCRIPTION

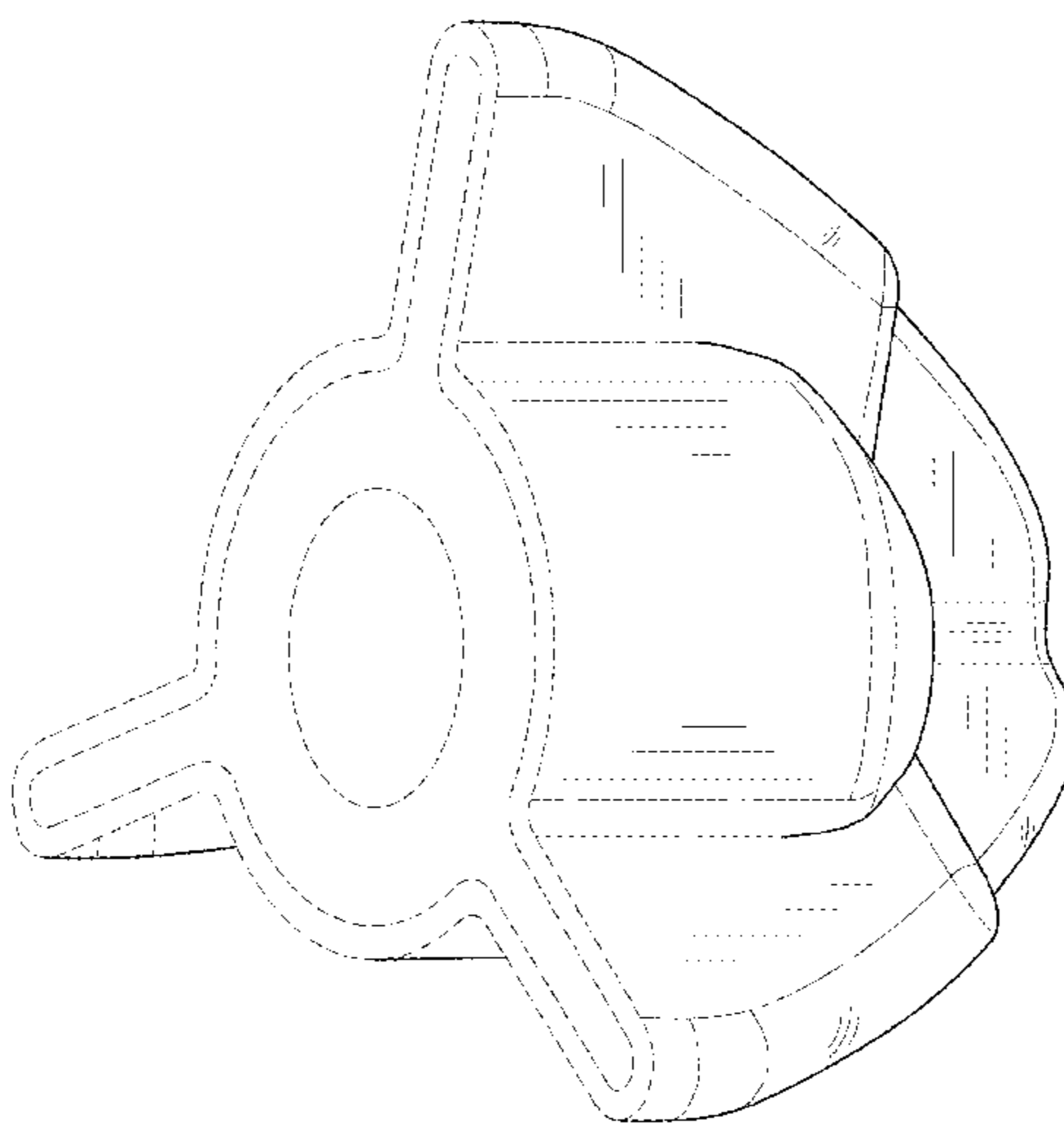
FIG. 1 is a top perspective view;
FIG. 2 is a bottom perspective view;
FIG. 3 is a front view;
FIG. 4 is a back view;
FIG. 5 is a left side view;
FIG. 6 is a right side view;
FIG. 7 is a top view; and,
FIG. 8 is a bottom view.
The broken line showing is included for the purpose of illustrating a part of the claim that forms no part of the claimed design.

(56) **References Cited**

U.S. PATENT DOCUMENTS

4,042,980 A * 8/1977 Swanson et al. 623/19.13
4,261,062 A 4/1981 Amstutz et al.
4,406,023 A 9/1983 Harris
4,550,450 A * 11/1985 Kinnett 623/20.11
4,623,353 A 11/1986 Buechel et al.
4,632,111 A 12/1986 Roche
4,743,262 A 5/1988 Tronzo
4,865,605 A 9/1989 Dines et al.
4,964,865 A 10/1990 Burkhead et al.
4,986,833 A 1/1991 Worland

1 Claim, 8 Drawing Sheets



(56)

References Cited

U.S. PATENT DOCUMENTS

5,776,194 A 7/1998 Mikol et al.
 5,800,551 A 9/1998 Williamson et al.
 5,954,727 A 9/1999 Collazo
 6,045,582 A 4/2000 Prybyla
 6,146,423 A * 11/2000 Cohen et al. 623/20.2
 6,174,335 B1 1/2001 Varieur et al.
 6,187,012 B1 2/2001 Masini
 6,197,063 B1 3/2001 Dews
 6,264,299 B1 7/2001 Noda
 6,306,171 B1 10/2001 Conzemius
 6,364,910 B1 4/2002 Shultz et al.
 6,368,271 B1 4/2002 Sharratt
 6,368,353 B1 4/2002 Arcand
 6,379,917 B1 4/2002 Okun et al.
 6,409,730 B1 6/2002 Green et al.
 6,508,840 B1 1/2003 Rockwood, Jr. et al.
 6,520,994 B2 2/2003 Nogarin
 6,736,851 B2 5/2004 Maroney et al.
 6,746,452 B2 6/2004 Tuke et al.
 6,783,549 B1 8/2004 Stone et al.
 7,044,973 B2 5/2006 Rockwood, Jr. et al.
 7,175,663 B1 2/2007 Stone
 7,189,261 B2 3/2007 Dews et al.
 7,344,565 B2 3/2008 Seyer et al.
 7,465,319 B2 * 12/2008 Tornier 623/19.11
 7,476,253 B1 1/2009 Craig et al.
 7,585,327 B2 9/2009 Winslow
 7,615,080 B2 * 11/2009 Ondrla 623/19.11
 7,648,530 B2 1/2010 Habermeyer et al.
 7,670,382 B2 * 3/2010 Parrott et al. 623/19.14
 7,678,150 B2 * 3/2010 Tornier et al. 623/19.13
 7,758,650 B2 7/2010 Dews et al.
 7,887,544 B2 * 2/2011 Tornier et al. 606/96
 D643,926 S * 8/2011 Collins D24/155
 8,021,370 B2 9/2011 Fenton et al.
 8,114,089 B2 2/2012 Divoux et al.
 8,162,947 B2 4/2012 Dreyfuss
 8,182,541 B2 5/2012 Long et al.
 8,187,282 B2 * 5/2012 Tornier et al. 606/99
 8,192,497 B2 * 6/2012 Ondrla 623/19.14
 8,202,275 B2 6/2012 Wozencroft
 8,231,682 B2 * 7/2012 Lafosse et al. 623/19.11
 8,246,687 B2 * 8/2012 Katrana et al. 623/19.13
 8,277,512 B2 10/2012 Parrott et al.
 8,317,871 B2 11/2012 Stone et al.
 8,409,798 B2 4/2013 Luy et al.
 8,419,798 B2 4/2013 Ondrla et al.
 D685,474 S 7/2013 Courtney
 8,500,744 B2 8/2013 Wozencroft et al.
 8,506,638 B2 8/2013 Vanasse et al.
 8,512,410 B2 8/2013 Metcalfe et al.
 8,591,592 B2 11/2013 Dreyfuss
 8,690,958 B2 4/2014 Klawitter et al.
 8,702,800 B2 4/2014 Linares et al.
 8,753,402 B2 6/2014 Winslow et al.
 8,876,908 B2 11/2014 Katrana et al.
 2001/0047210 A1 11/2001 Wolf
 2002/0156534 A1 10/2002 Grusin et al.
 2003/0028253 A1 * 2/2003 Stone et al. 623/19.14
 2003/0125810 A1 7/2003 Sullivan et al.

2004/0193276 A1 9/2004 Maroney et al.
 2004/0193277 A1 9/2004 Long et al.
 2004/0193278 A1 9/2004 Maroney et al.
 2005/0107882 A1 5/2005 Stone et al.
 2006/0009852 A1 1/2006 Winslow et al.
 2007/0162141 A1 7/2007 Dews et al.
 2008/0021564 A1 1/2008 Gunther
 2009/0306782 A1 12/2009 Schwyzer
 2010/0087927 A1 4/2010 Roche et al.
 2010/0191340 A1 7/2010 Dreyfuss
 2010/0274360 A1 10/2010 Gunther
 2011/0276144 A1 11/2011 Wirth et al.
 2011/0313533 A1 12/2011 Gunther
 2012/0109321 A1 5/2012 Stone et al.
 2012/0265315 A1 10/2012 Kusogullari et al.
 2012/0296435 A1 11/2012 Ambacher
 2013/0178943 A1 7/2013 Dupont
 2013/0190882 A1 7/2013 Humphrey
 2013/0211539 A1 8/2013 McDaniel et al.
 2013/0261626 A1 10/2013 Chavarria et al.
 2013/0261754 A1 10/2013 Anthony et al.
 2014/0107792 A1 4/2014 Hopkins et al.
 2014/0156012 A1 6/2014 Winslow
 2014/0296988 A1 10/2014 Winslow et al.
 2014/0358239 A1 12/2014 Katrana et al.
 2014/0358240 A1 12/2014 Katrana et al.

FOREIGN PATENT DOCUMENTS

DE 102004042502 A1 3/2006
 EP 1413265 A2 4/2004
 EP 0959822 B1 5/2004
 EP 1125565 B1 12/2004
 EP 1518519 A2 3/2005
 EP 1004283 B1 5/2005
 EP 1867303 B1 9/2010
 EP 1977720 B1 1/2011
 EP 2353549 A1 8/2011
 EP 1550420 B1 2/2012
 EP 2261303 B1 11/2012
 EP 1706074 B1 12/2012
 EP 2564814 A1 3/2013
 EP 2574313 A1 4/2013
 EP 2474288 B1 9/2013
 EP 1990026 B1 3/2014
 EP 2663263 B1 5/2014
 EP 2502605 B1 8/2014
 EP 2800541 A1 11/2014
 WO WO 0167988 A2 9/2001
 WO WO0167988 A2 9/2001
 WO WO 0217822 A1 3/2002
 WO WO 2008/011078 A2 1/2008
 WO WO 2008/146124 A2 12/2008
 WO WO 2011/081797 A1 7/2011
 WO WO 2012/035263 A1 3/2012
 WO WO 2012/130524 A1 10/2012
 WO WO 2013/009407 A1 1/2013
 WO WO 2013/064569 A1 5/2013
 WO WO 2013/148229 A1 10/2013
 WO WO 2014/005644 A1 1/2014
 WO WO 2014/058314 A1 4/2014

* cited by examiner

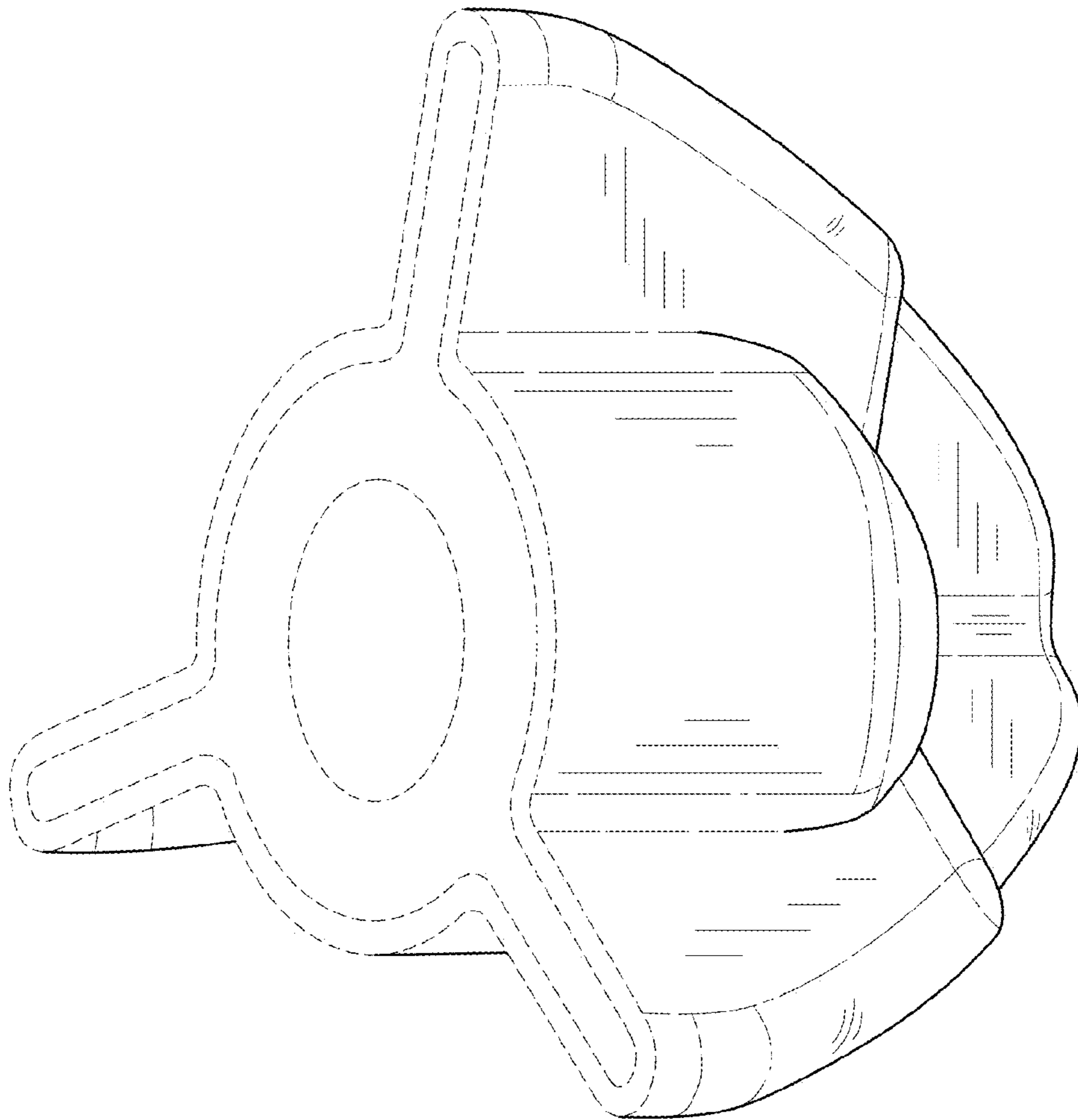


FIG.1

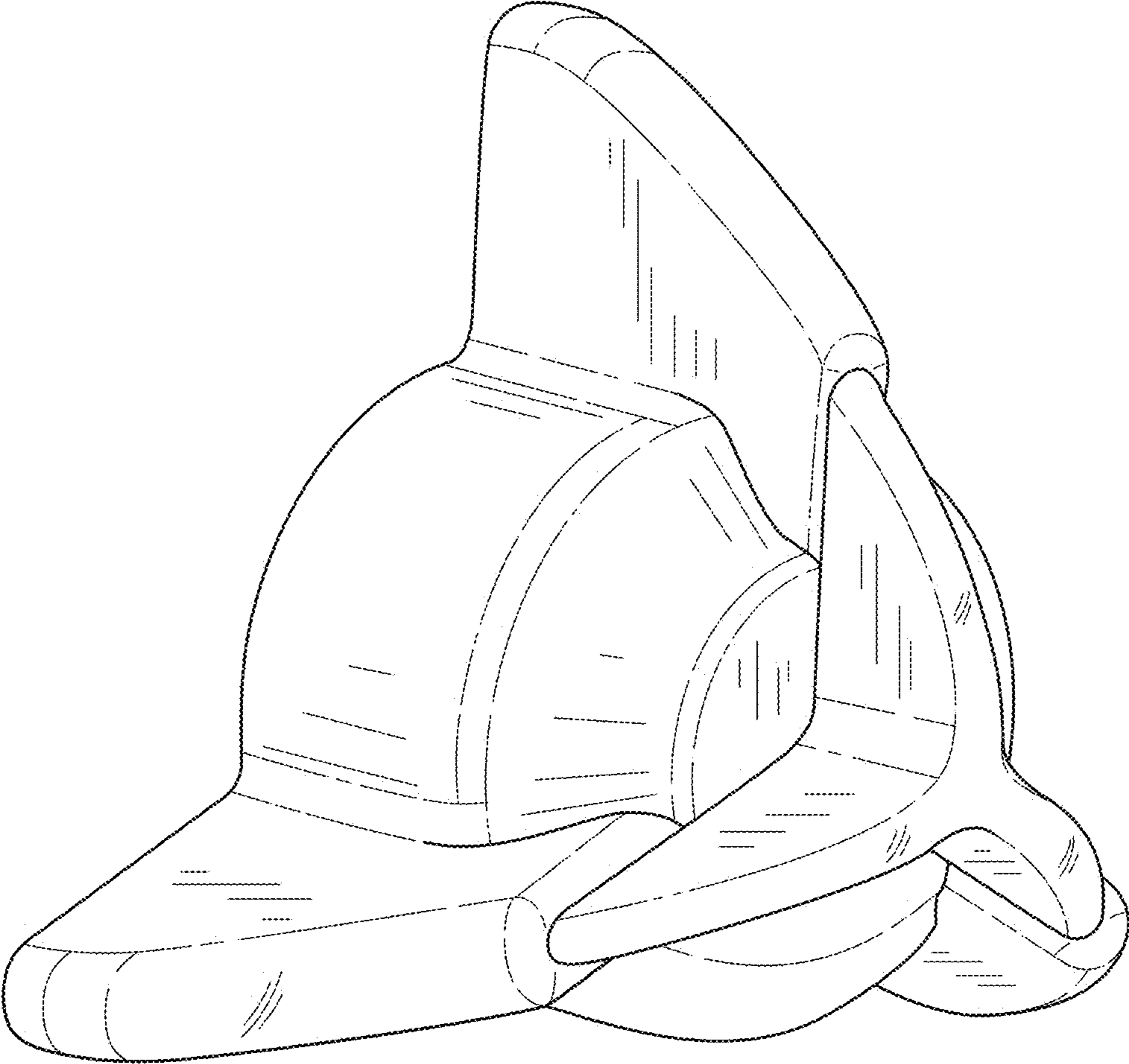


FIG.2

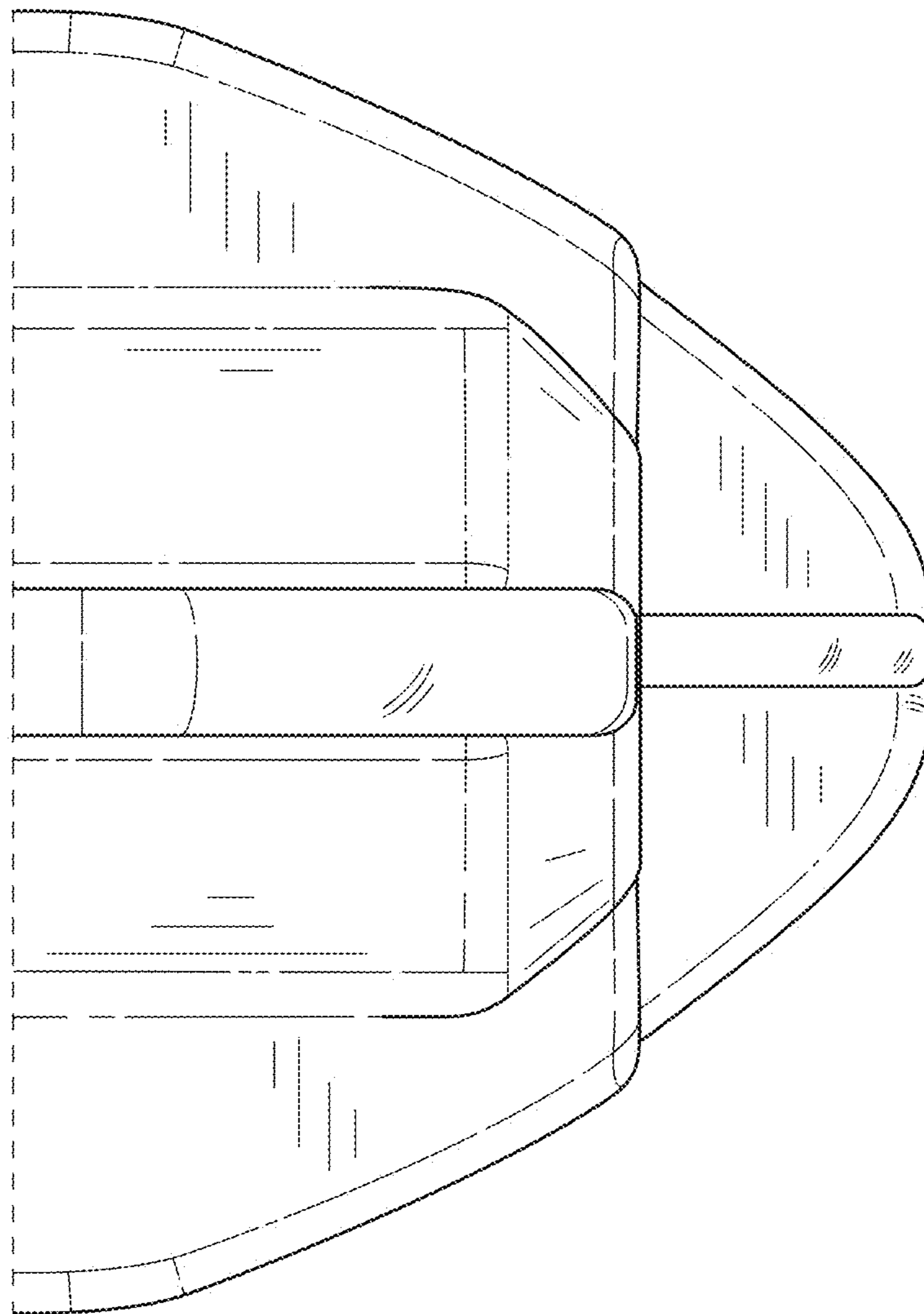


FIG.3

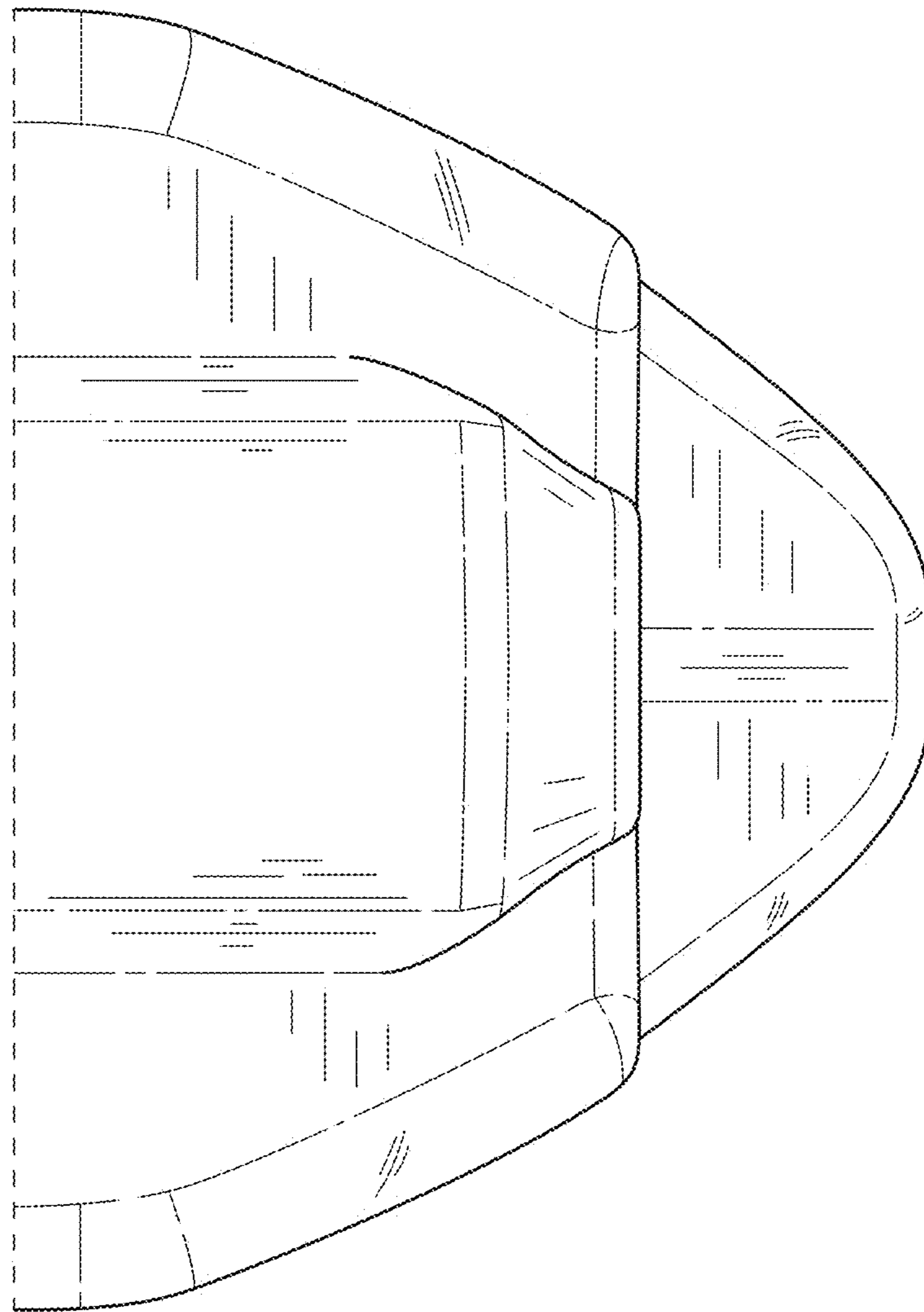


FIG.4

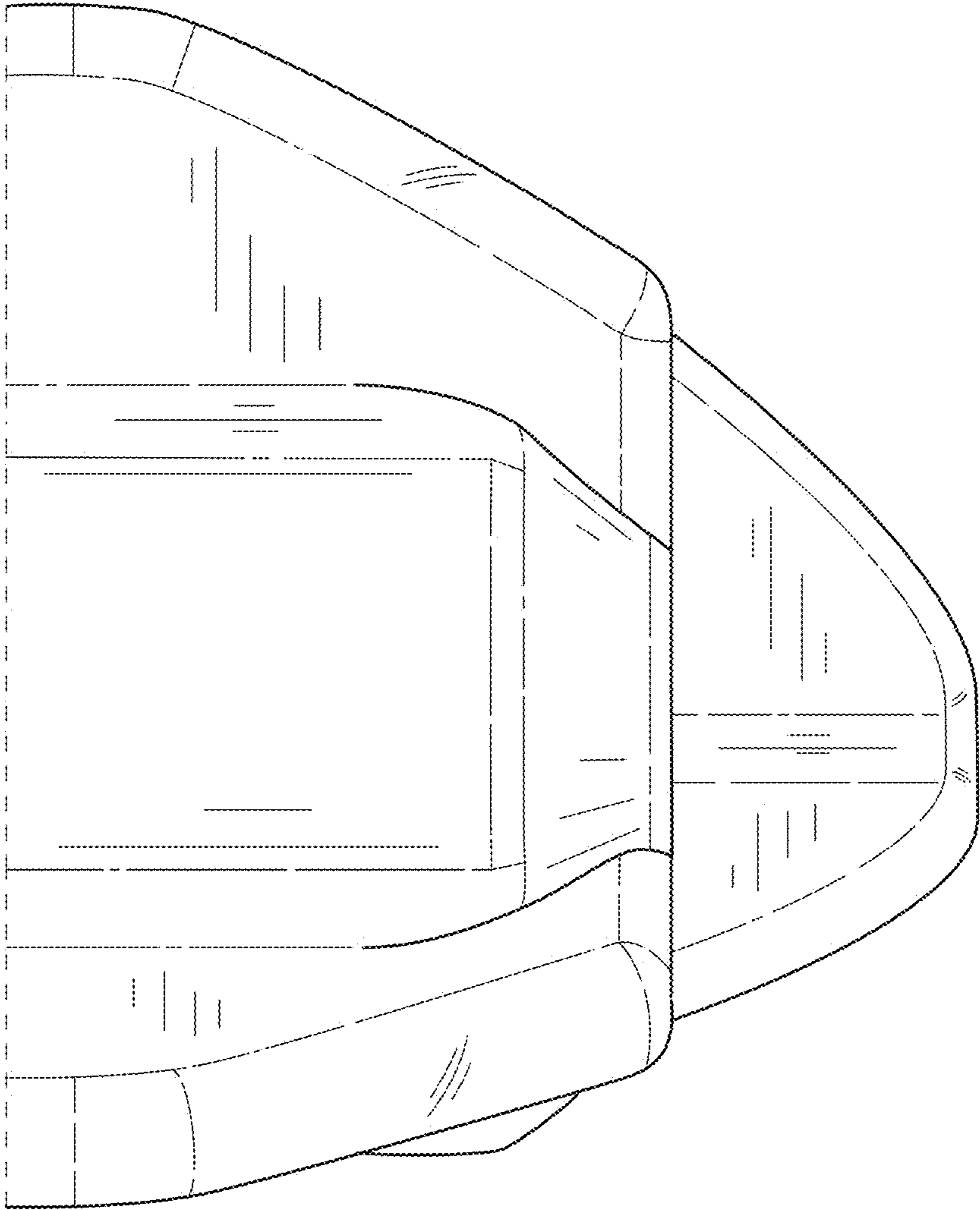


FIG.5

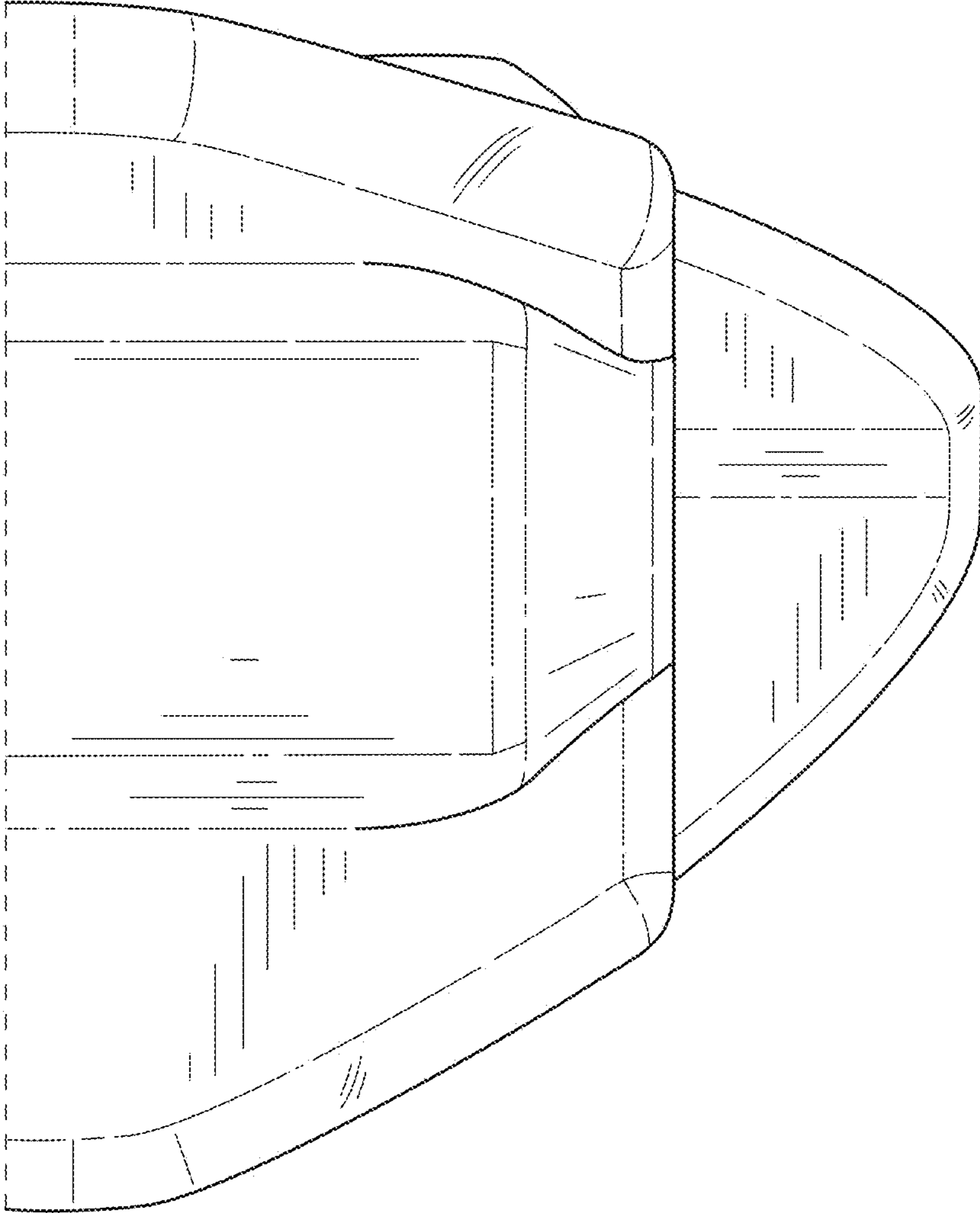


FIG.6

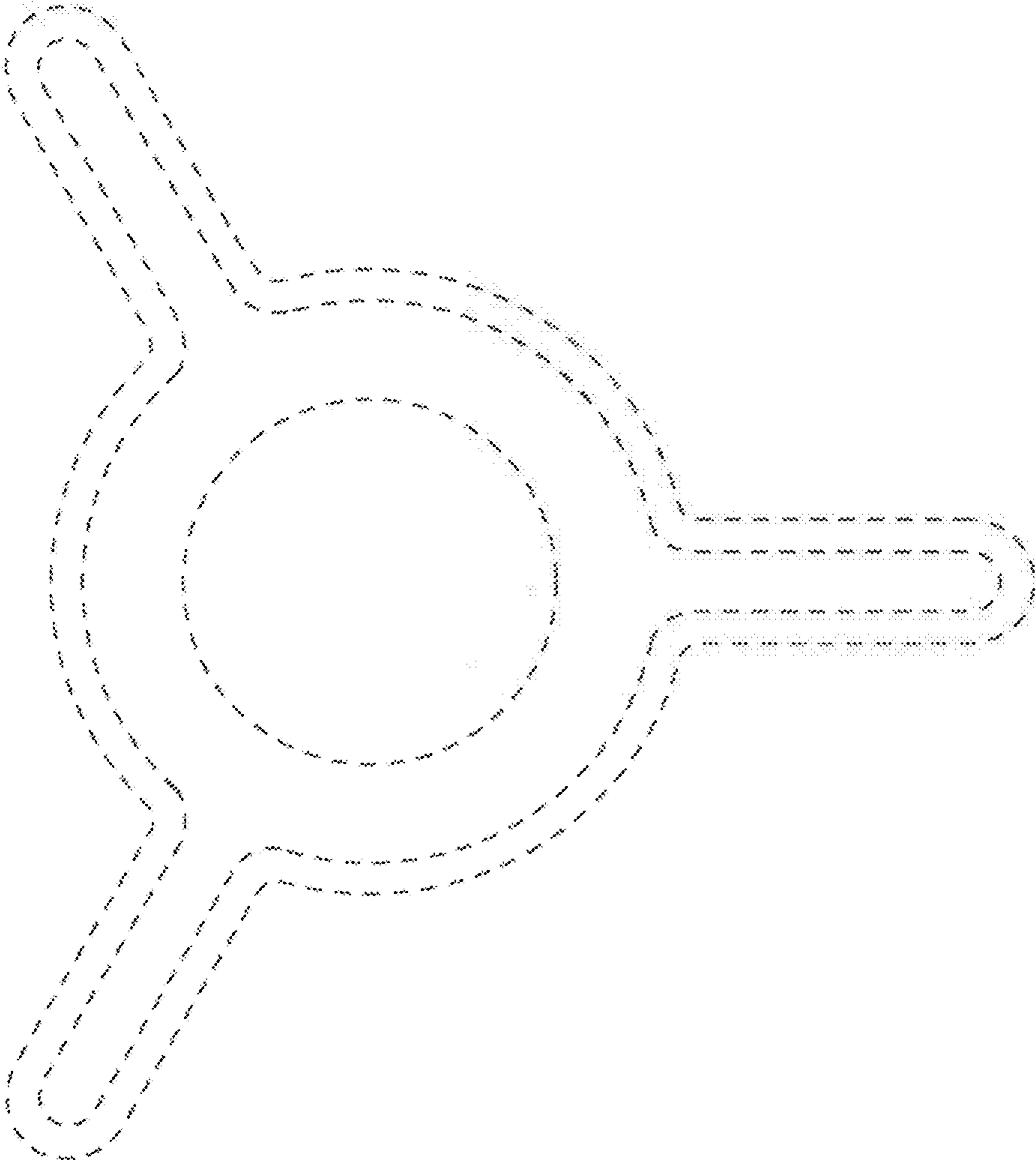


FIG.7

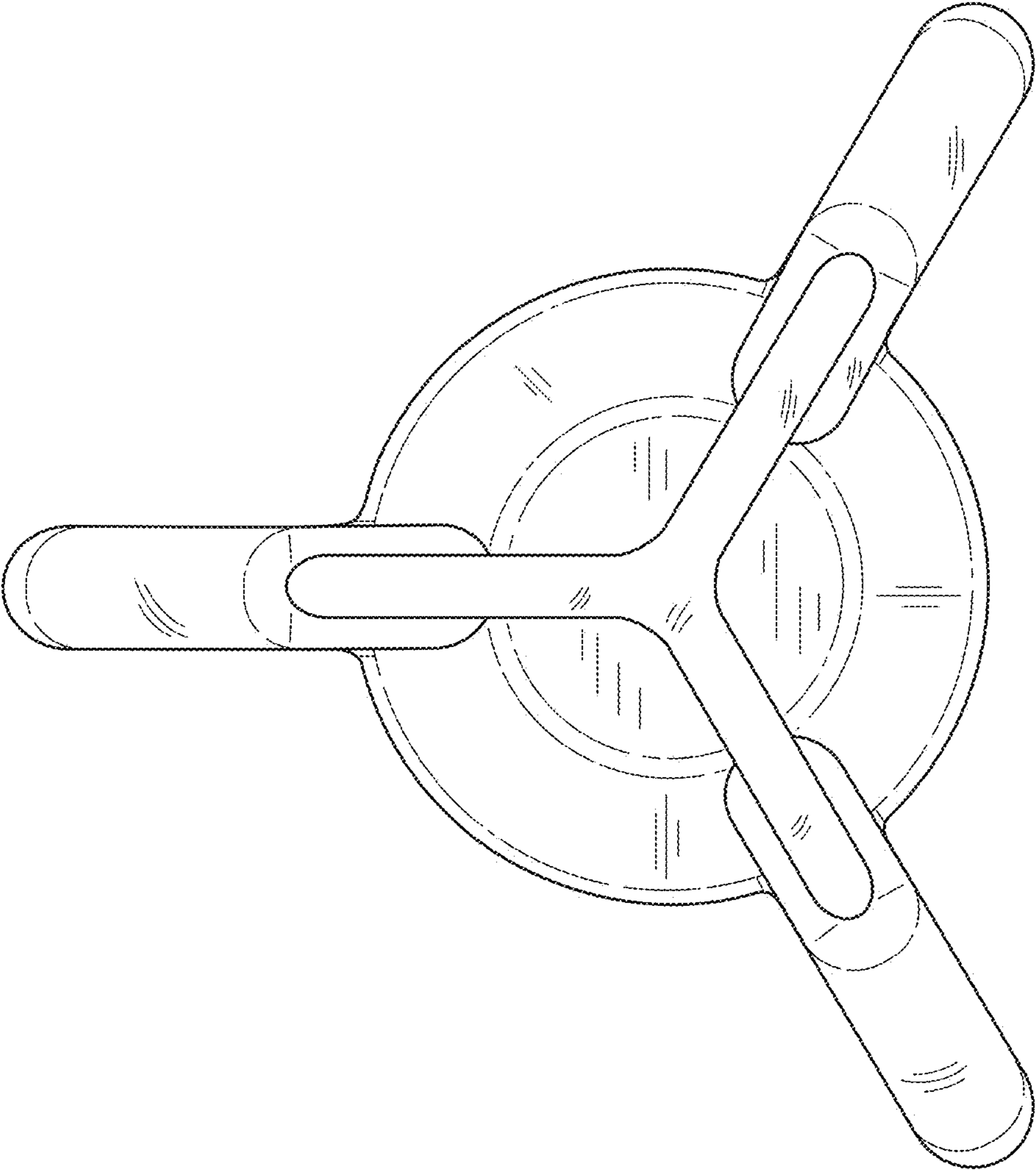


FIG.8