



US00D745676S

(12) **United States Design Patent**
Garrison et al.

(10) **Patent No.:** **US D745,676 S**

(45) **Date of Patent:** **** Dec. 15, 2015**

(54) **DENTAL WEDGE**

(71) Applicant: **Garrison Dental Solutions**, Spring Lake, MI (US)

(72) Inventors: **Thomas D. Garrison**, Spring Lake, MI (US); **Robert W. Anderson**, Coopersville, MI (US)

(73) Assignee: **Garrison Dental Solutions, L.L.C.**, Spring Lake, MI (US)

(**) Term: **14 Years**

(21) Appl. No.: **29/510,166**

(22) Filed: **Nov. 25, 2014**

(51) **LOC (10) Cl.** **24-02**

(52) **U.S. Cl.**
USPC **D24/152**

(58) **Field of Classification Search**
USPC D24/147, 152; 433/39-40, 72, 148-149
CPC A61C 5/127; A61C 5/125; A61C 15/00;
A61C 15/02
See application file for complete search history.

(56) **References Cited**

U.S. PATENT DOCUMENTS

3,815,243 A * 6/1974 Eames 433/149
5,743,738 A * 4/1998 Baffelli et al. 433/149

(Continued)

Primary Examiner — Wan Laymon

(74) *Attorney, Agent, or Firm* — Warner Norcross & Judd LLP

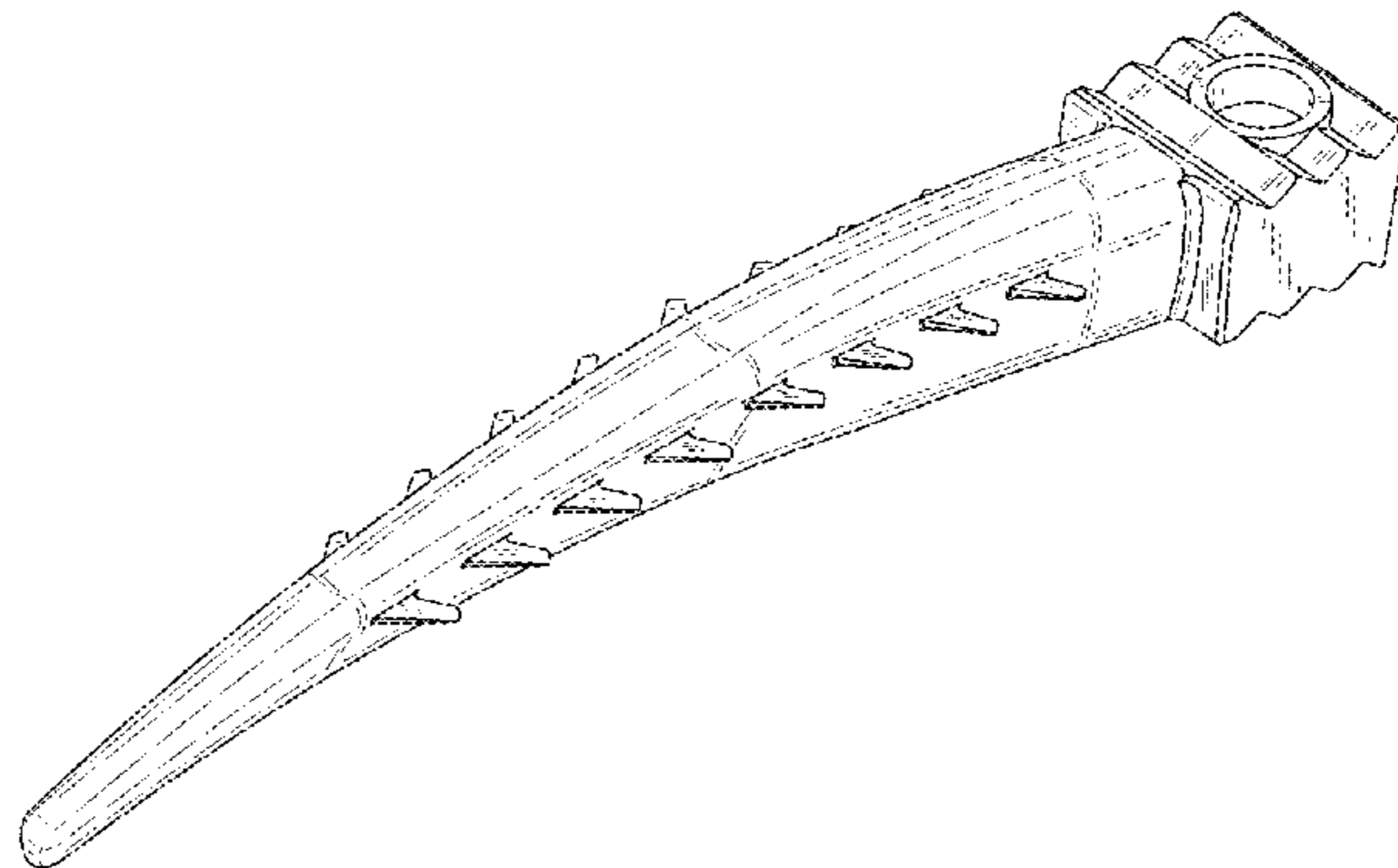
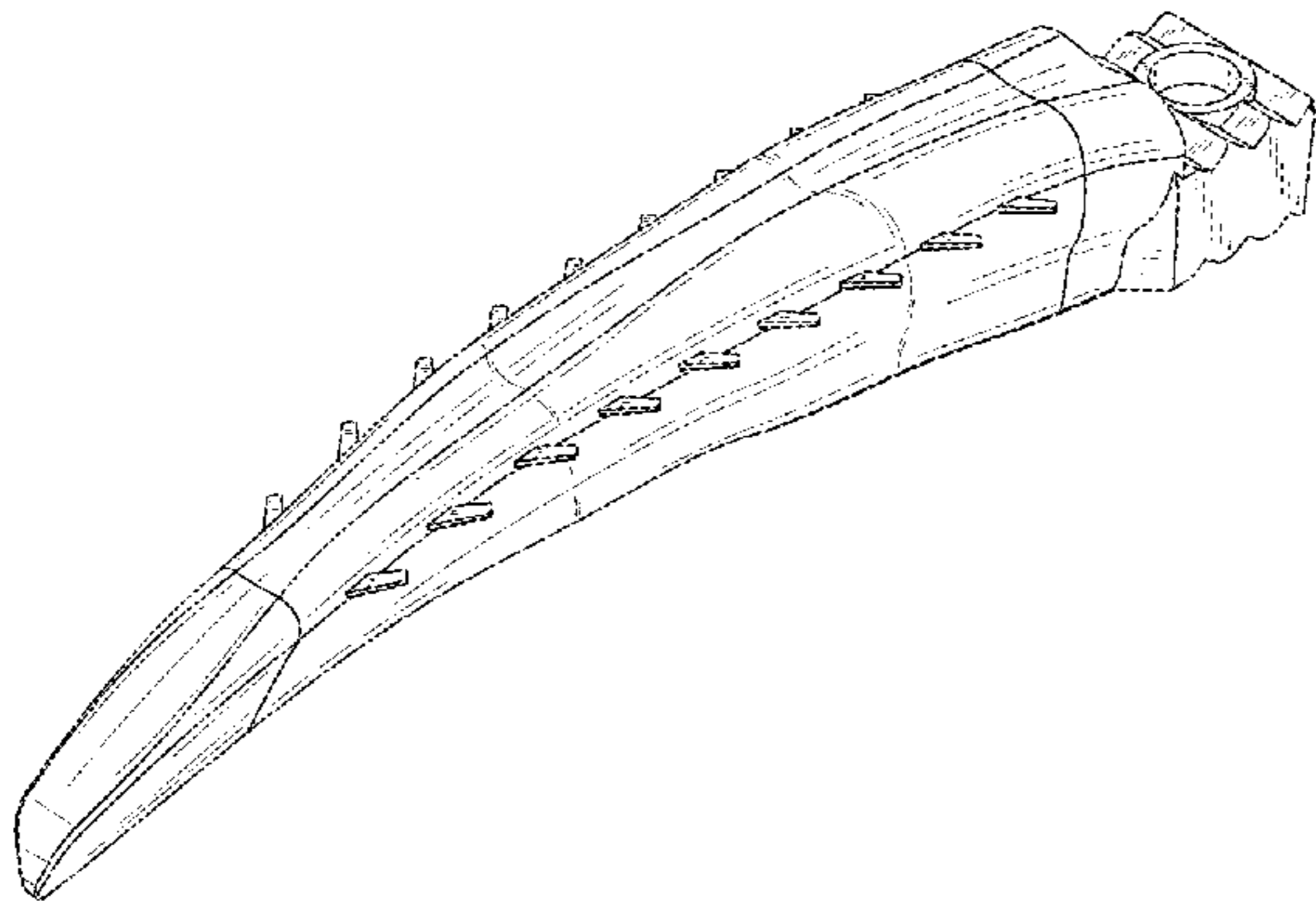
(57) **CLAIM**

The ornamental design for a dental wedge, as shown and described.

DESCRIPTION

FIG. 1 is a perspective view of a dental wedge showing my new design;
FIG. 2 is a top plan view thereof;
FIG. 3 is a bottom plan view thereof;
FIG. 4 is a first side elevation view thereof;
FIG. 5 is a second side elevation view thereof;
FIG. 6 is a first end view thereof;
FIG. 7 is a second end view thereof;
FIG. 8 is a perspective view of another embodiment of a dental wedge;
FIG. 9 is a top plan view of the dental wedge of FIG. 8;
FIG. 10 is a bottom plan view of the dental wedge of FIG. 8;
FIG. 11 is a first side view of the dental wedge of FIG. 8;
FIG. 12 is a second side view of the dental wedge of FIG. 8;
FIG. 13 is a first end view of the dental wedge of FIG. 8;
FIG. 14 is a second end view of the dental wedge of FIG. 8;
FIG. 15 is a perspective view of another embodiment of the dental wedge;
FIG. 16 is a top plan view of the dental wedge of FIG. 15;
FIG. 17 is a bottom plan view of the dental wedge of FIG. 15;
FIG. 18 is a first side view of the dental wedge of FIG. 15;
FIG. 19 is a second side view of the dental wedge of FIG. 15;
FIG. 20 is a first end view of the dental wedge of FIG. 15;
FIG. 21 is a second end view of the dental wedge of FIG. 15;
FIG. 22 is a perspective view of another embodiment of the dental wedge;
FIG. 23 is a top plan view of the dental wedge of FIG. 22;
FIG. 24 is a bottom plan view of the dental wedge of FIG. 22;
FIG. 25 is a first side view of the dental wedge of FIG. 22;
FIG. 26 is a second side view of the dental wedge of FIG. 22;
FIG. 27 is a first end view of the dental wedge of FIG. 22; and,
FIG. 28 is a second end view of the dental wedge of FIG. 22.

1 Claim, 8 Drawing Sheets



(56)

References Cited

U.S. PATENT DOCUMENTS

8,425,228	B2 *	4/2013	McDonald	433/149
2014/0342311	A1 *	11/2014	McDonald et al.	433/138
2014/0356811	A1 *	12/2014	Erskine-Smith	433/149
6,468,080	B1 *	10/2002	Fischer et al.	433/149
7,223,101	B2 *	5/2007	Garrison et al.	433/149

* cited by examiner

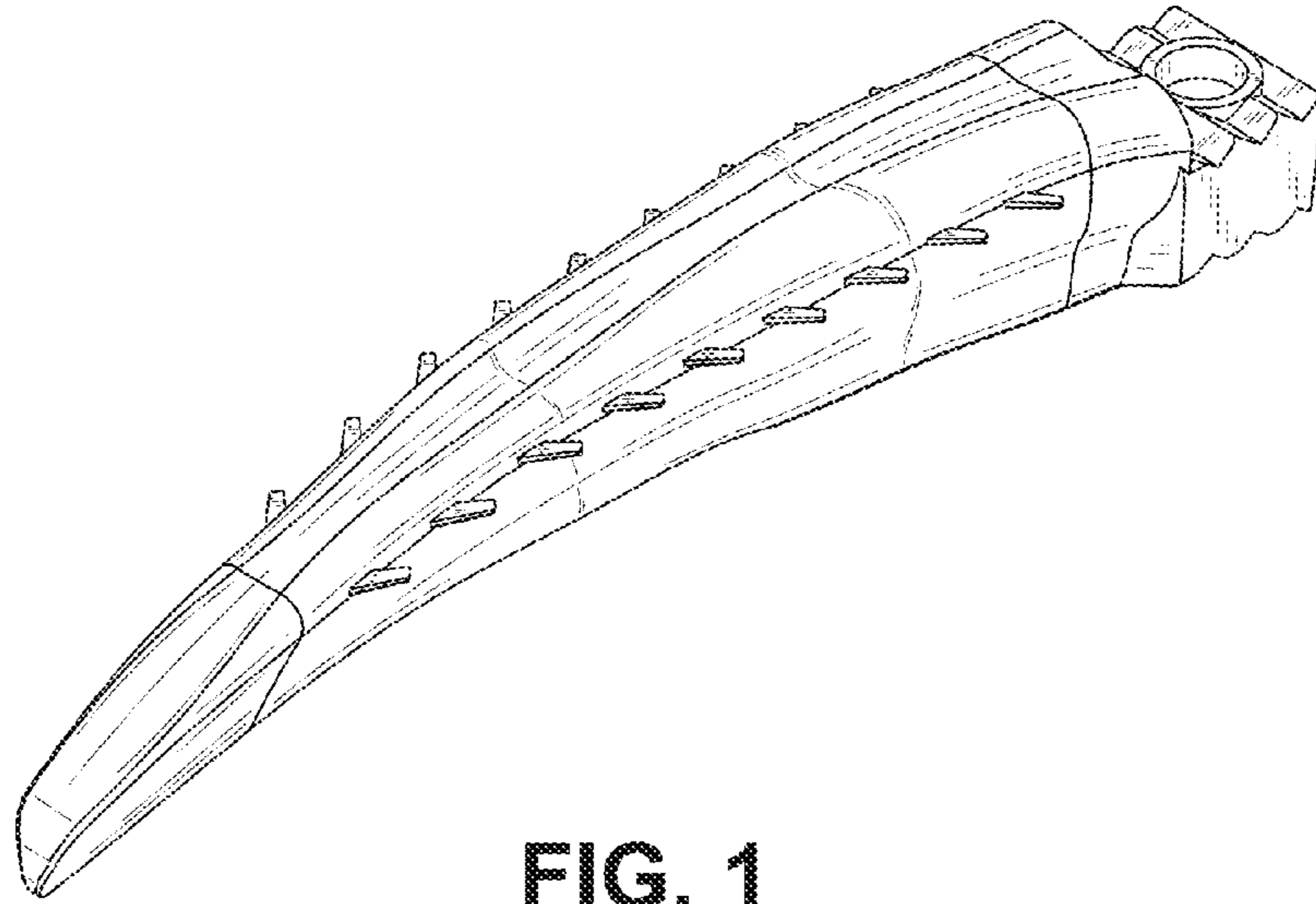


FIG. 1

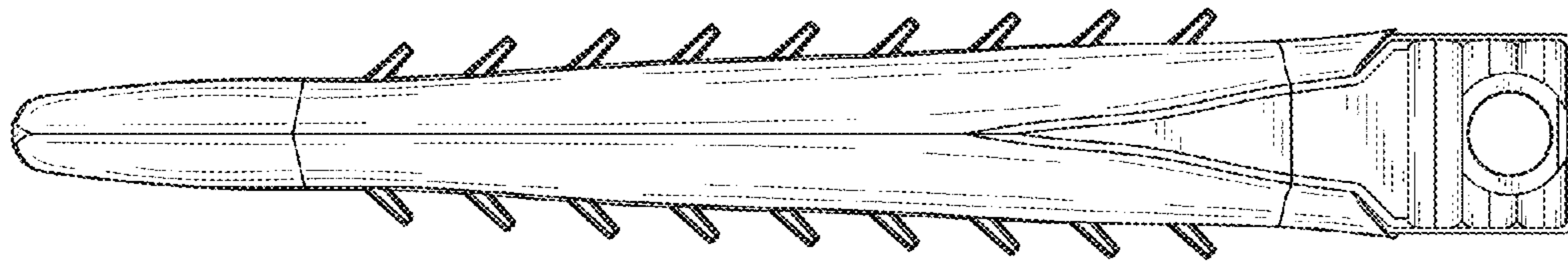


FIG. 2

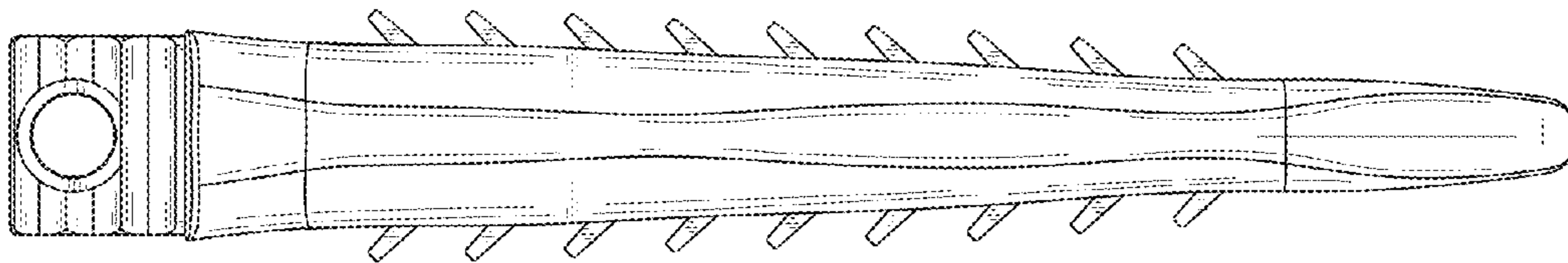


FIG. 3

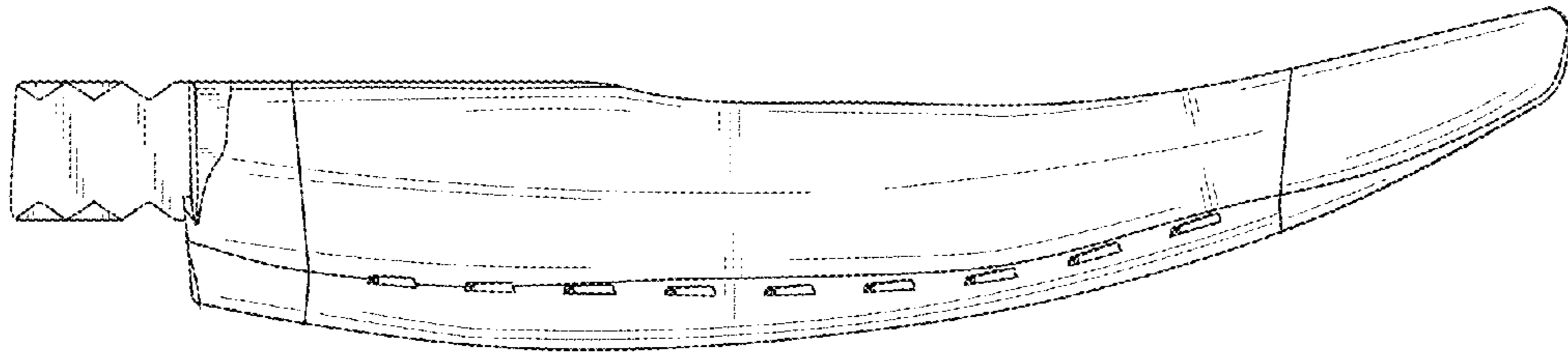


FIG. 4

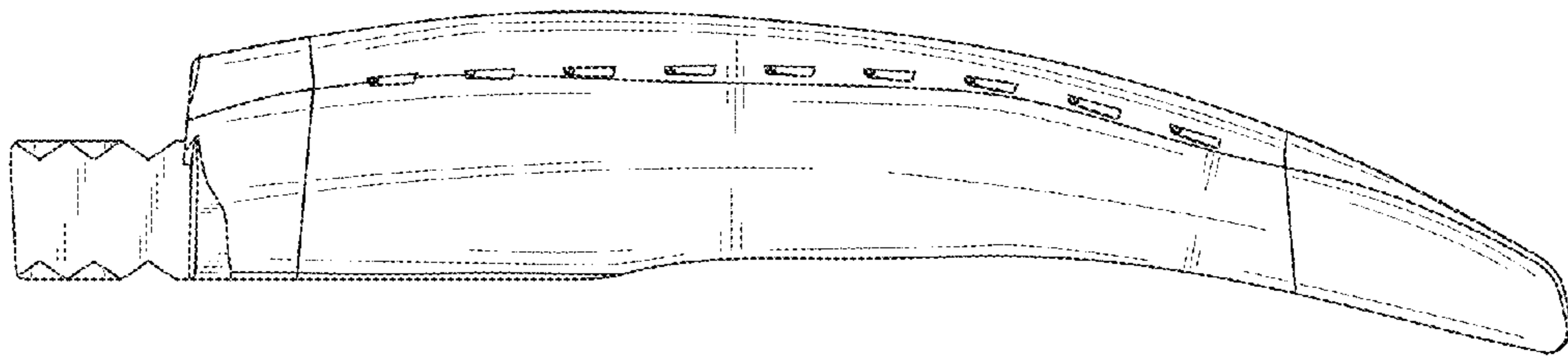


FIG. 5

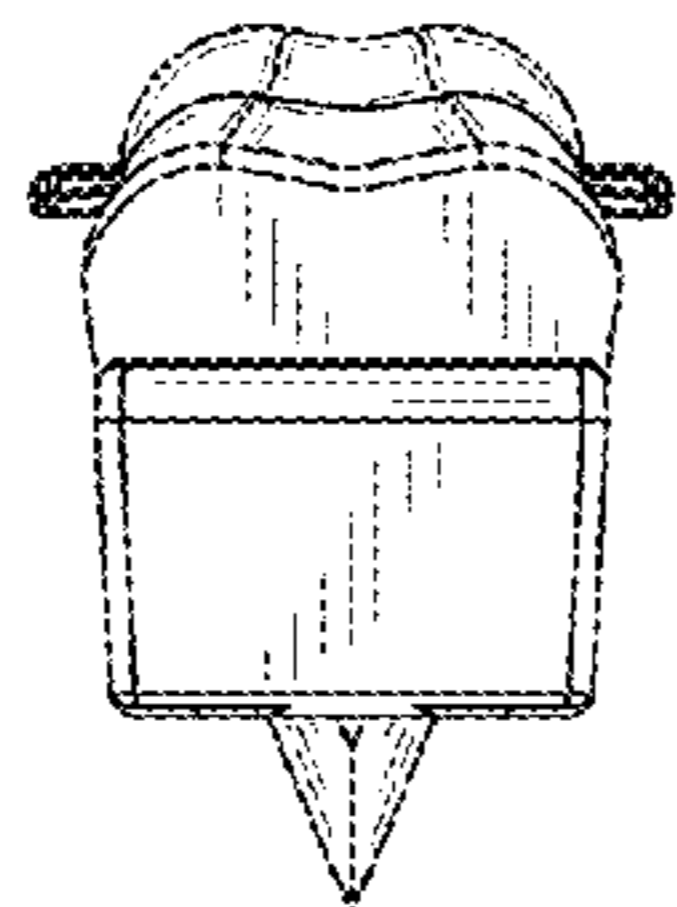


FIG. 6

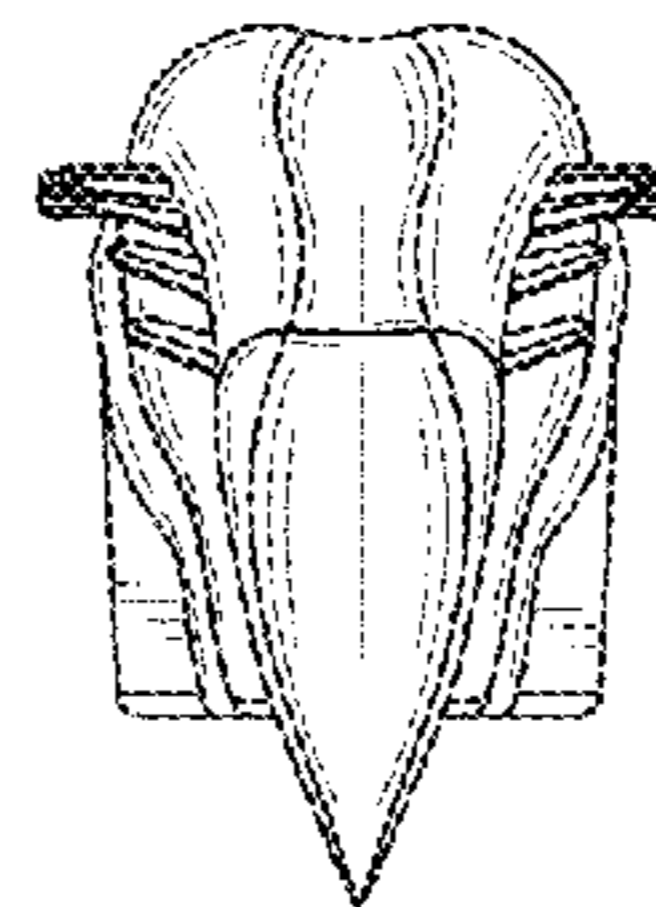


FIG. 7

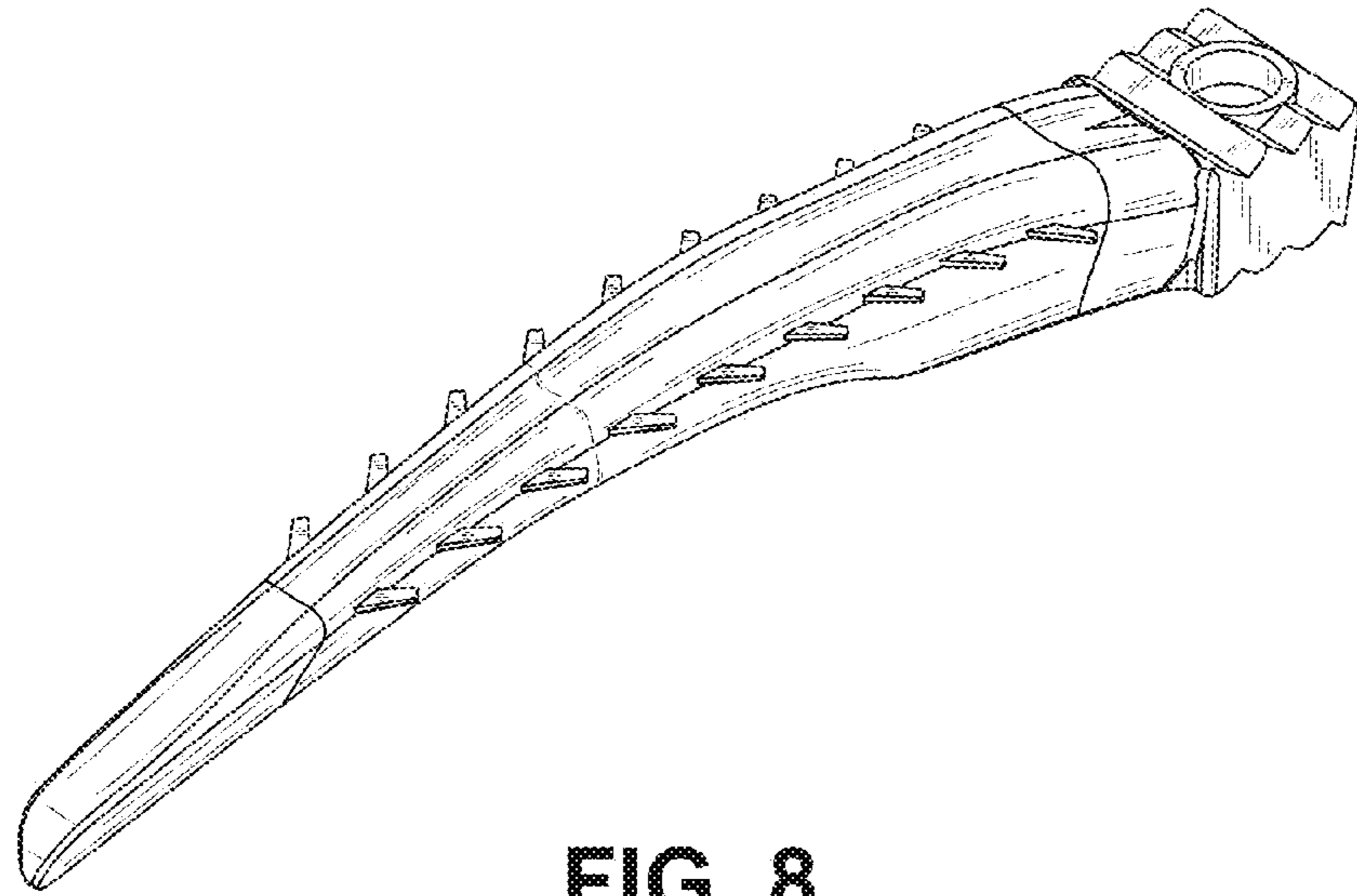


FIG. 8

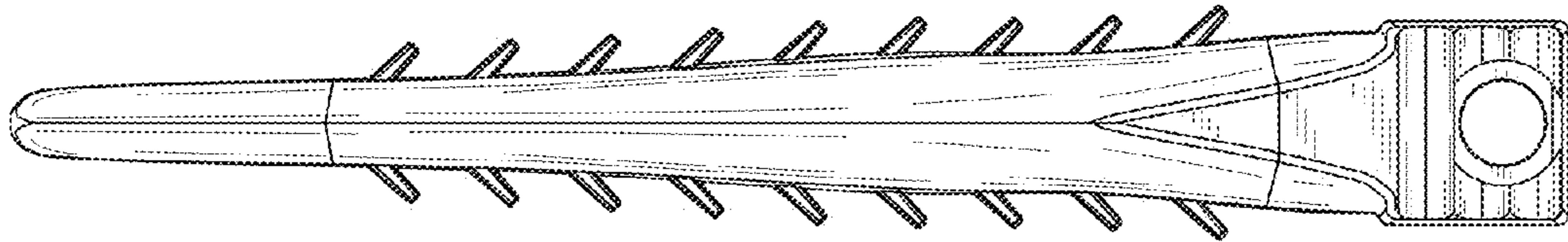


FIG. 9

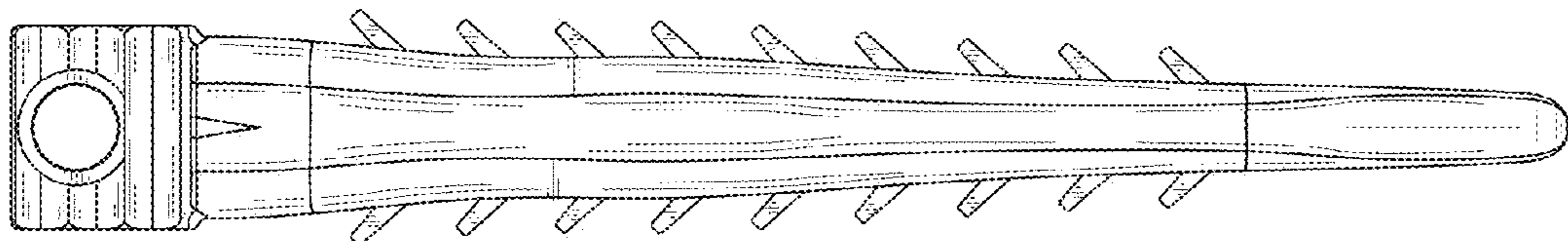


FIG. 10



FIG. 11

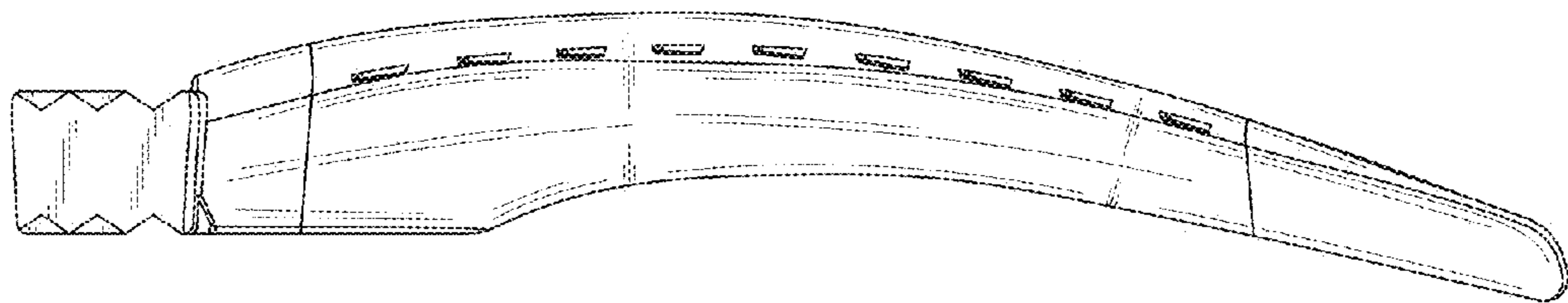


FIG. 12

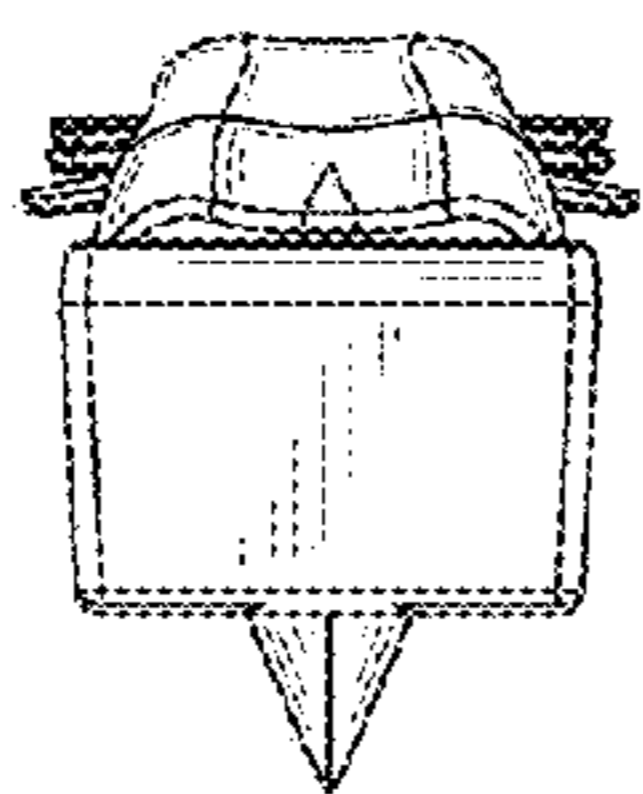


FIG. 13

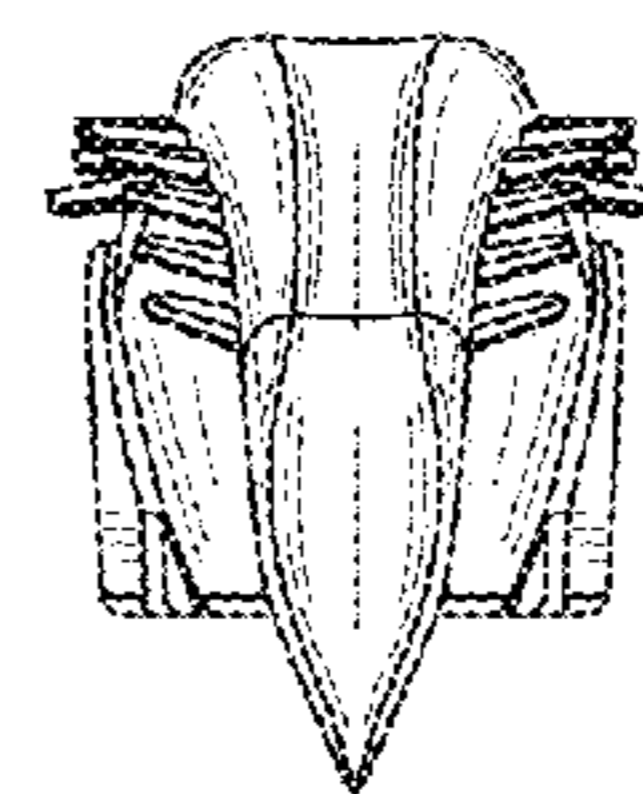


FIG. 14

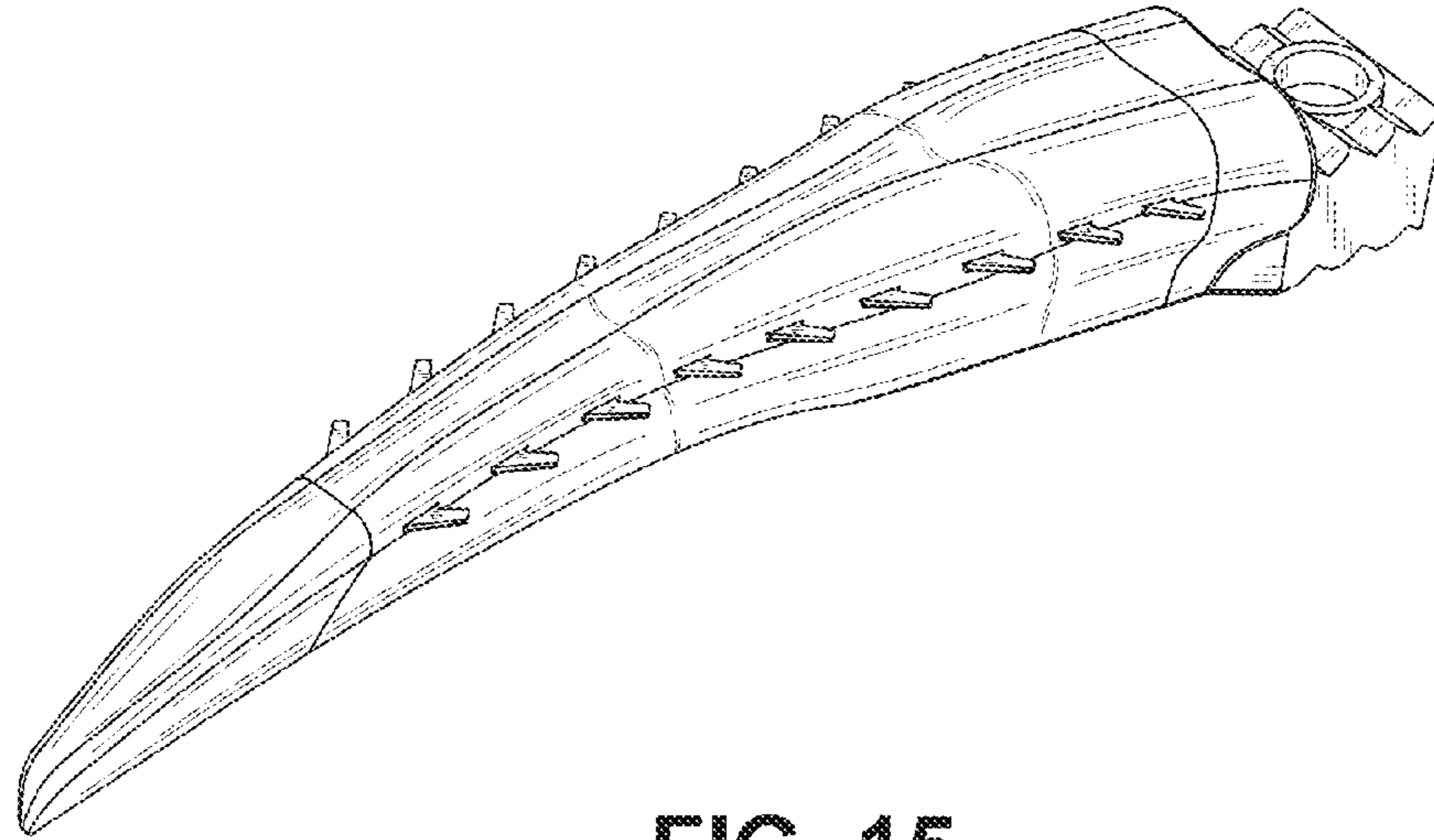


FIG. 15

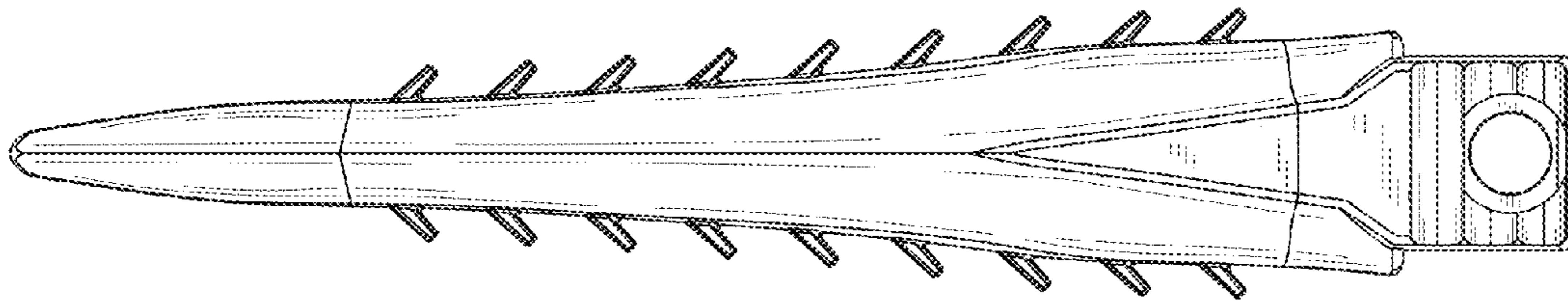


FIG. 16

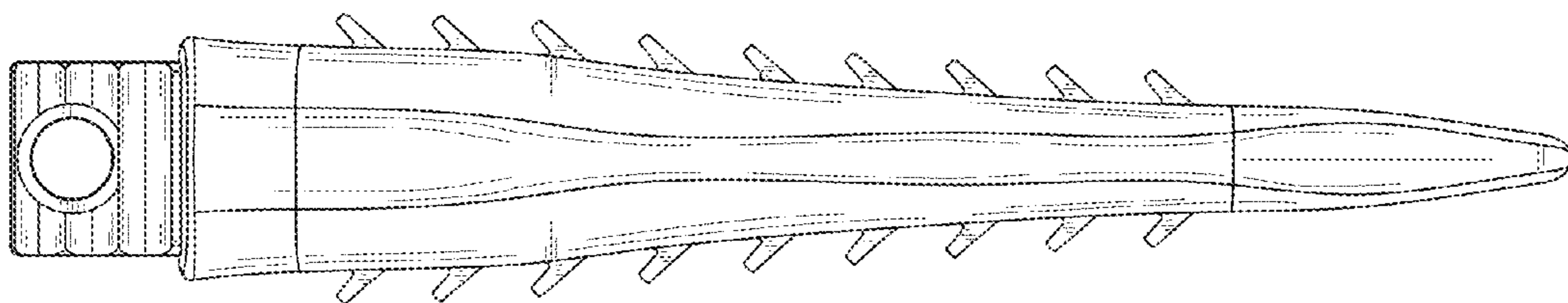


FIG. 17

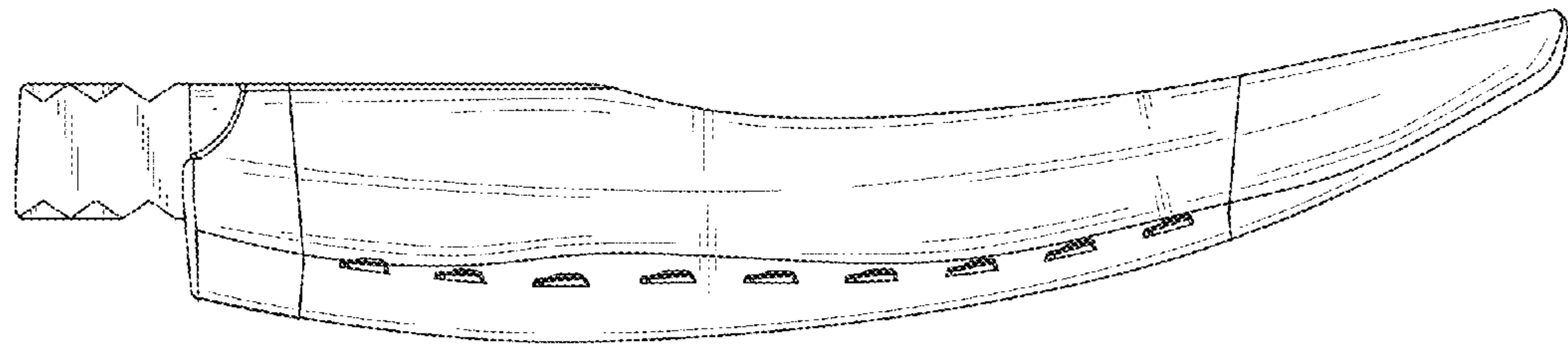


FIG. 18

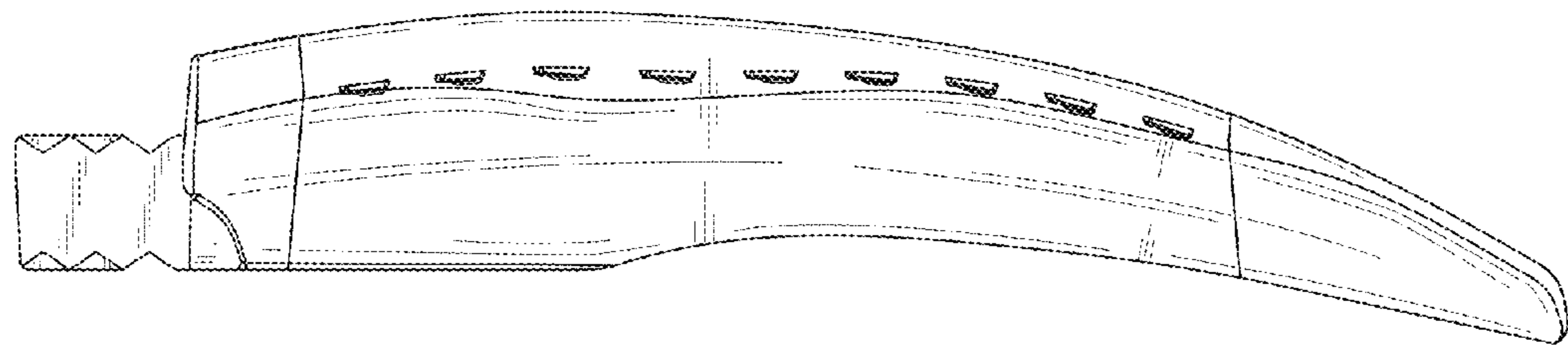


FIG. 19

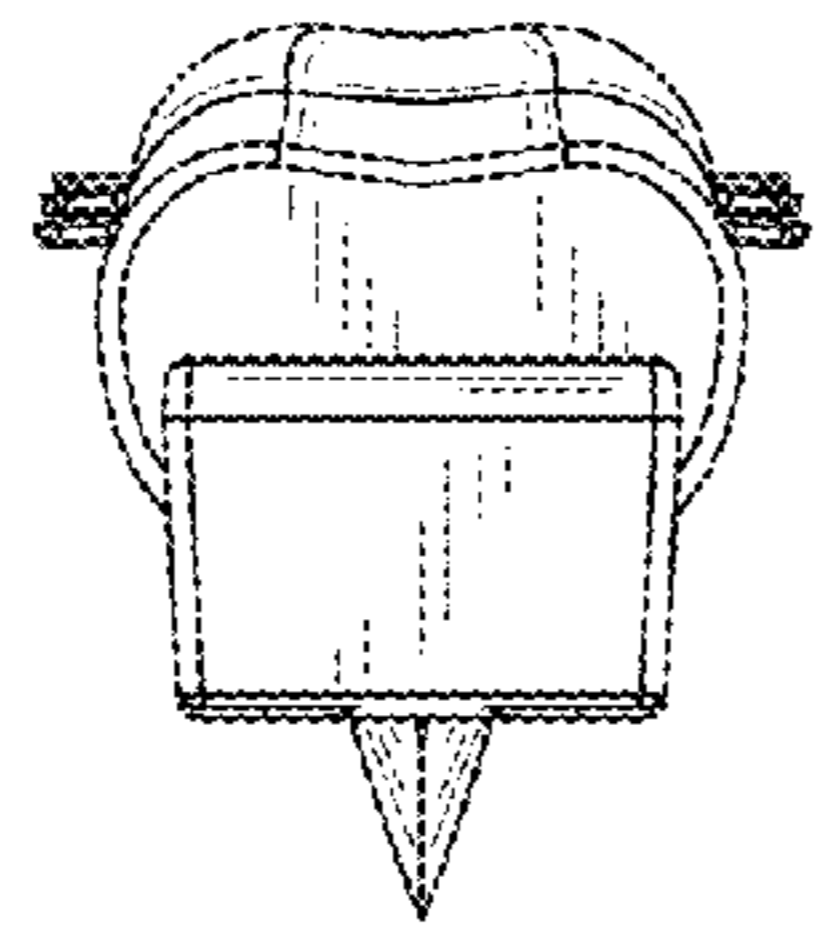


FIG. 20

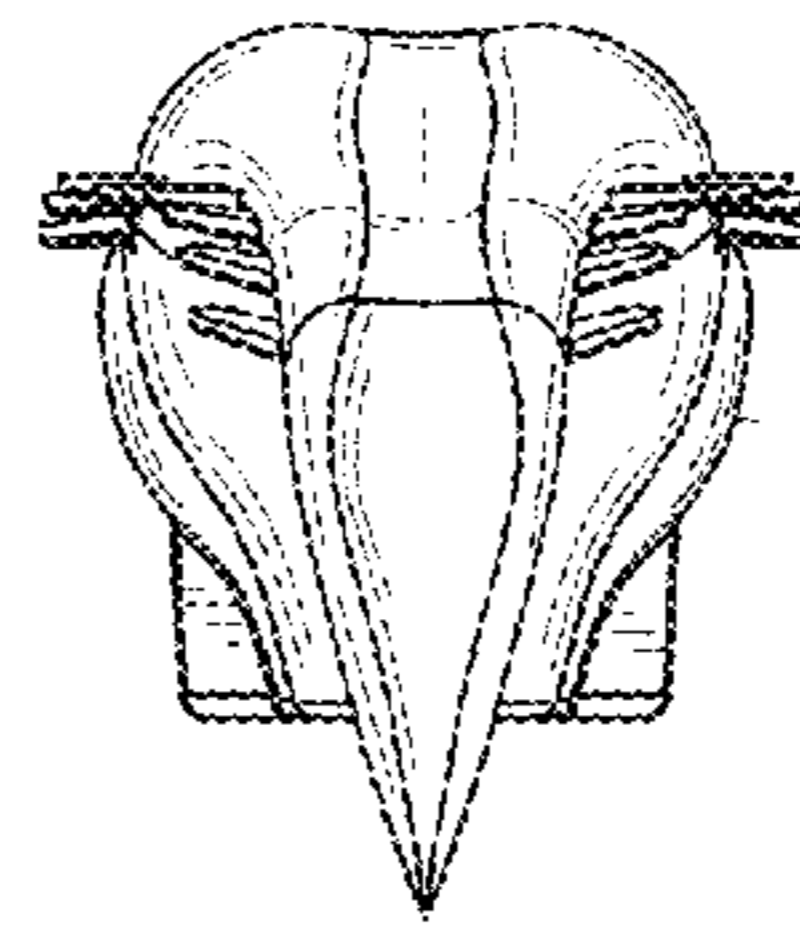


FIG. 21

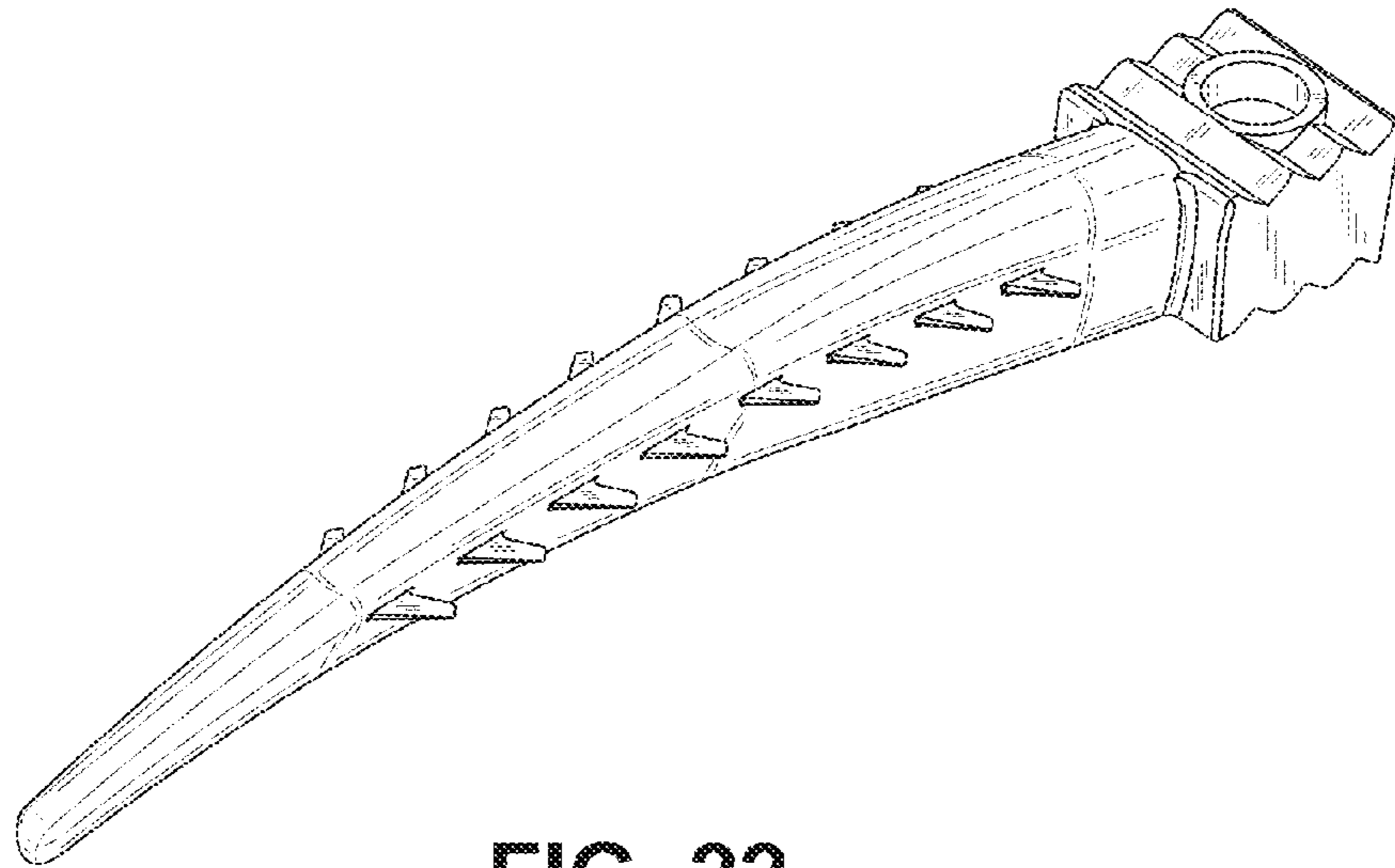


FIG. 22

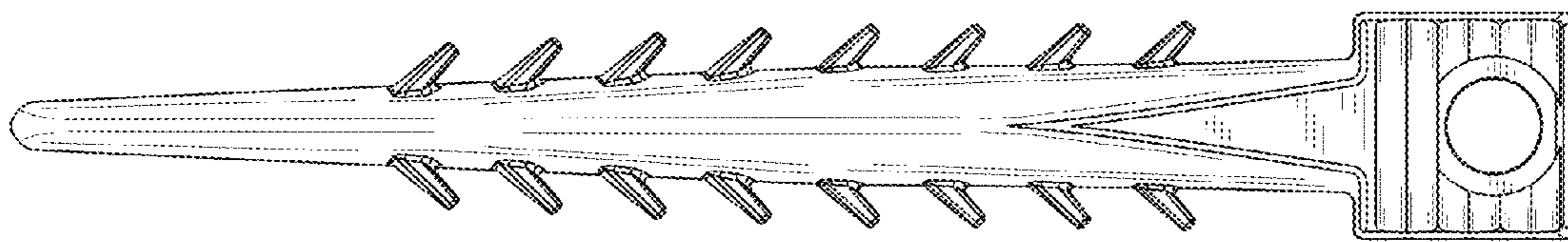


FIG. 23

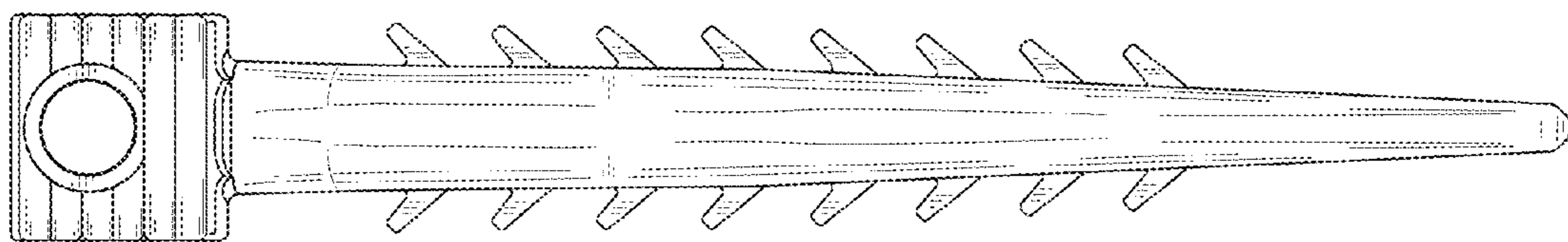


FIG. 24

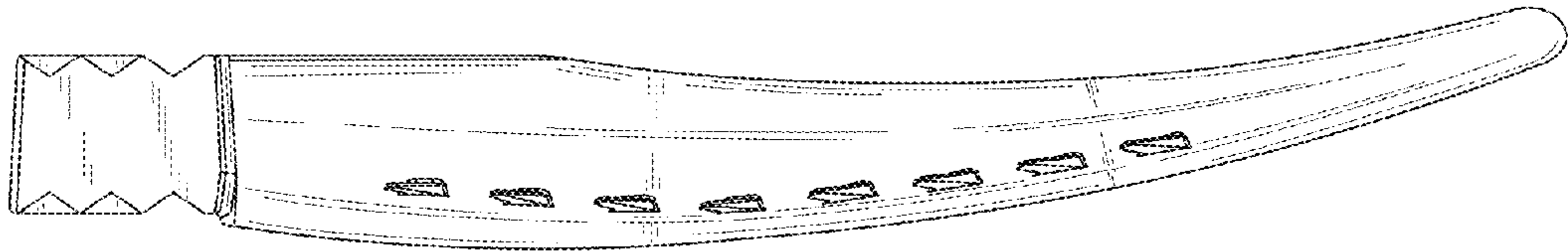


FIG. 25

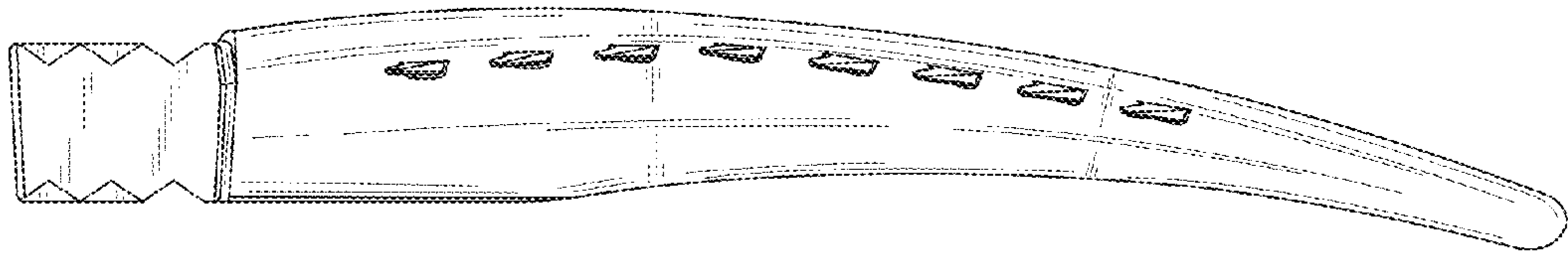


FIG. 26

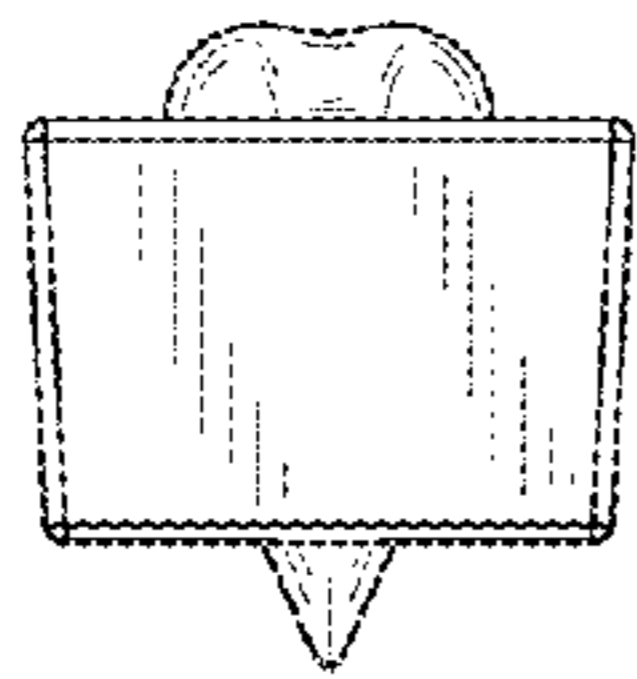


FIG. 27

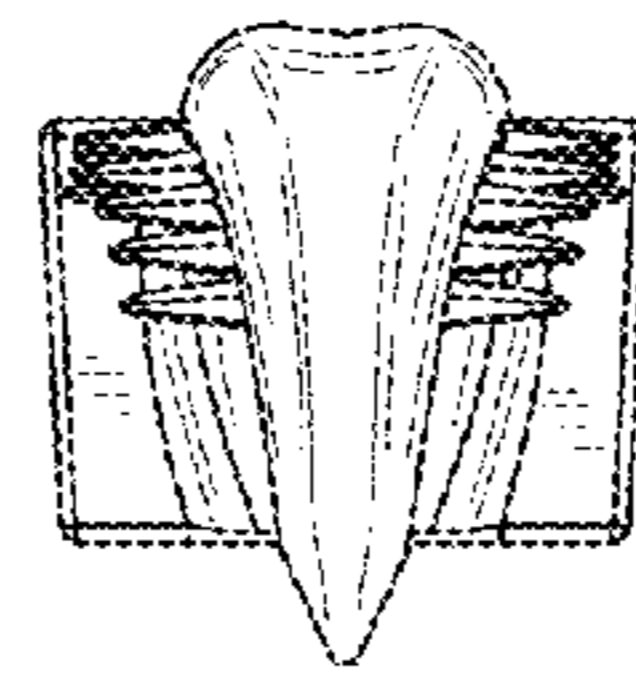


FIG. 28