



US00D745675S

(12) **United States Design Patent**  
**Jankowski et al.**

(10) **Patent No.:** **US D745,675 S**  
(45) **Date of Patent:** **\*\* Dec. 15, 2015**

(54) **DEVICE FOR PUNCTURING THE PATIENT'S SKIN**

(75) Inventors: **Andrzej Jankowski**, Warsaw (PL);  
**Jaroslaw Moleda**, Warsaw (PL); **Jacek Karbowniczek**, Warsaw (PL); **Pawel Czepiel**, Mielec (PL)

(73) Assignee: **"HTL-STREFA" SPOLKA AKCYJNA**, Ozorkow (PL)

(\*\*) Term: **14 Years**

(21) Appl. No.: **29/413,989**

(22) Filed: **Feb. 23, 2012**

(30) **Foreign Application Priority Data**

Nov. 8, 2011 (EM) ..... 001944000-0001

(51) **LOC (10) Cl.** ..... **D24-02**

(52) **U.S. Cl.**  
USPC ..... **D24/146**

(58) **Field of Classification Search**  
USPC ..... D24/130, 133, 113, 114, 146, 147;  
600/385, 600, 573, 583, 167, 172,  
600/181-185; 210/453  
CPC ..... A61B 2017/320004; A61B 17/320016;  
A61B 17/32  
See application file for complete search history.

(56) **References Cited**

**U.S. PATENT DOCUMENTS**

5,366,469 A \* 11/1994 Steg et al. .... 606/182  
D374,285 S \* 10/1996 DeFonzo et al. .... D24/145  
D376,649 S \* 12/1996 Kim ..... D24/147  
D412,985 S \* 8/1999 Weekes ..... D24/146  
D444,557 S \* 7/2001 Levaughn et al. .... D24/146  
6,283,982 B1 \* 9/2001 Levaughn et al. .... 606/172  
6,451,040 B1 \* 9/2002 Purcell ..... 606/181  
D499,182 S \* 11/2004 Moore et al. .... D24/146

D567,944 S 4/2008 Sarna  
D569,975 S 5/2008 Wilkinson  
D579,564 S 10/2008 Sarna  
D592,307 S 5/2009 Curry et al.  
D593,677 S 6/2009 Mudd et al.  
D611,602 S 3/2010 Zollers  
D612,051 S 3/2010 Ruf  
D616,987 S 6/2010 Brown et al.  
D617,904 S 6/2010 Lai  
D621,042 S 8/2010 Ruf  
D621,044 S 8/2010 Trissel et al.  
D621,045 S 8/2010 Trissel et al.  
D645,147 S 9/2011 Ruf

(Continued)

**OTHER PUBLICATIONS**

United States Trademark Reg. No. 3,097,096, registered May 30, 2006, to HTL-STREFA SPOLKA Z.O.O., for Safety Lancets.

*Primary Examiner* — Ian Simmons

*Assistant Examiner* — Carissa C Fitts

(74) *Attorney, Agent, or Firm* — Plumsea Law Group, LLC

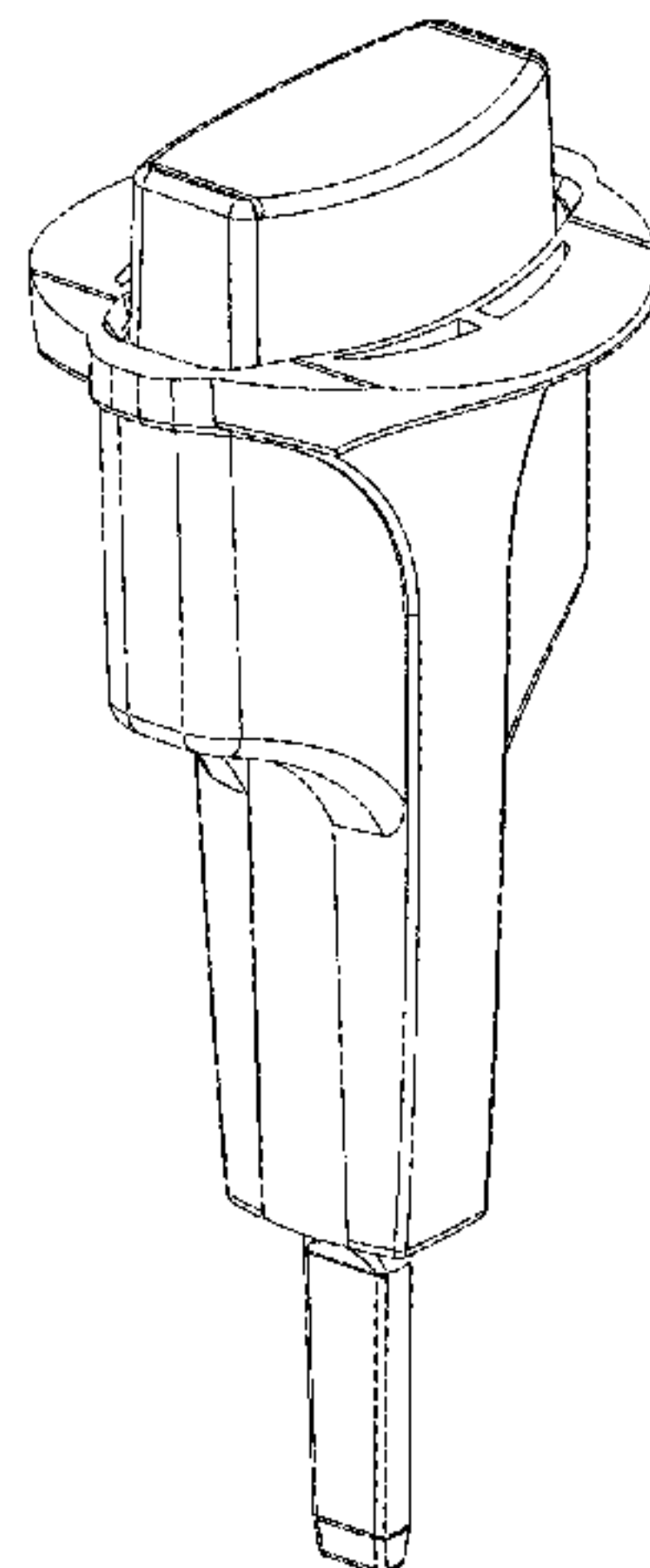
(57) **CLAIM**

We claim the ornamental design for a device for puncturing the patient's skin, as shown and described.

**DESCRIPTION**

FIG. 1 is a left side, top and front perspective view of the device;  
FIG. 2 is a left side, bottom and rear perspective view of the device;  
FIG. 3 is a left side, bottom and front perspective view of the device;  
FIG. 4 is a top plan view of the device;  
FIG. 5 is a bottom plan view of the device;  
FIG. 6 is a right or left side elevational view of the device; and,  
FIG. 7 is a front or rear elevational view of the device.  
The broken line showing represents portions of the drawing not claimed and forms no part of the claimed design.

**1 Claim, 7 Drawing Sheets**



(56)

**References Cited**

U.S. PATENT DOCUMENTS

D645,148 S	9/2011	Ruf	2002/0082521 A1*	6/2002	Sharma et al. ....	600/576
D651,713 S	1/2012	Shi	2003/0212344 A1*	11/2003	Yuzhakov et al. ....	600/583
8,821,525 B2*	9/2014	Pusey et al. ....	2004/0162573 A1*	8/2004	Kheiri .....	606/182
2001/0039387 A1*	11/2001	Rutynowski et al. ....	2008/0004651 A1*	1/2008	Nicholls et al. ....	606/182
			2008/0039885 A1*	2/2008	Purcell .....	606/182
			2008/0058631 A1*	3/2008	Draudt et al. ....	600/385

\* cited by examiner

FIG. 1

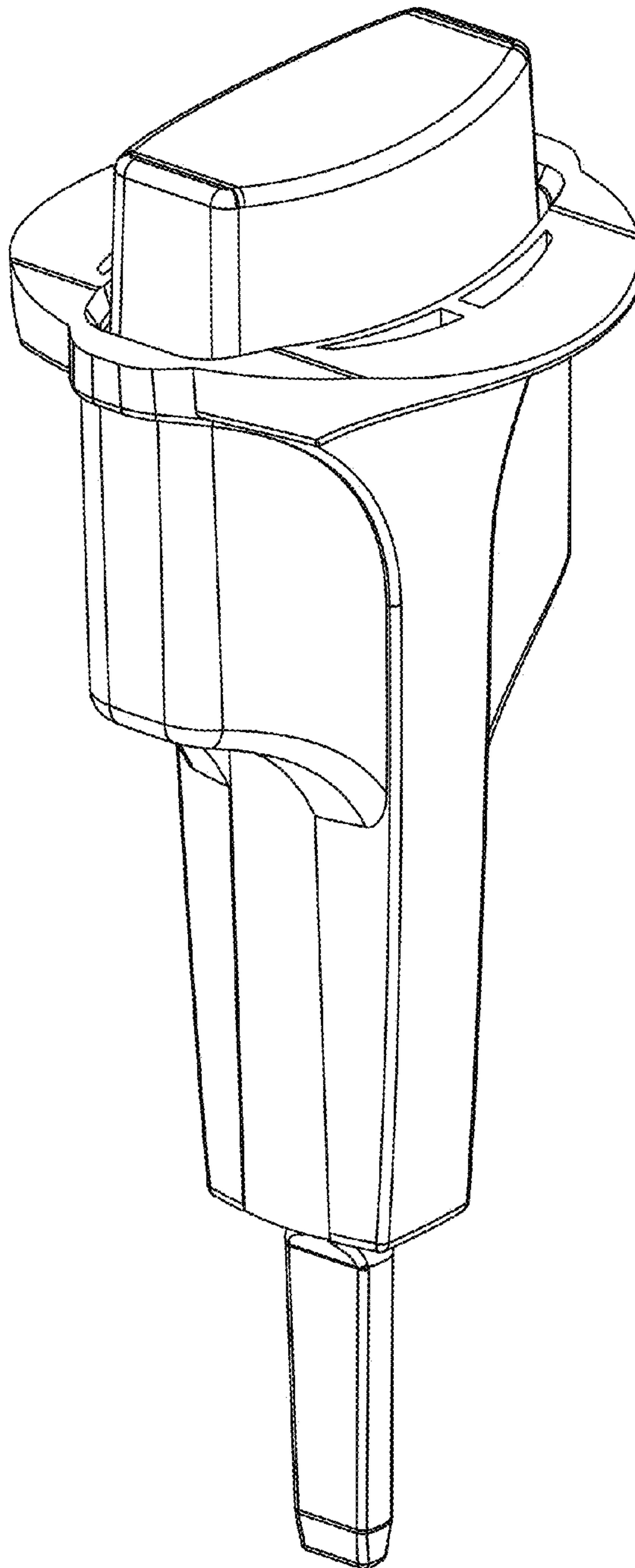


FIG. 2

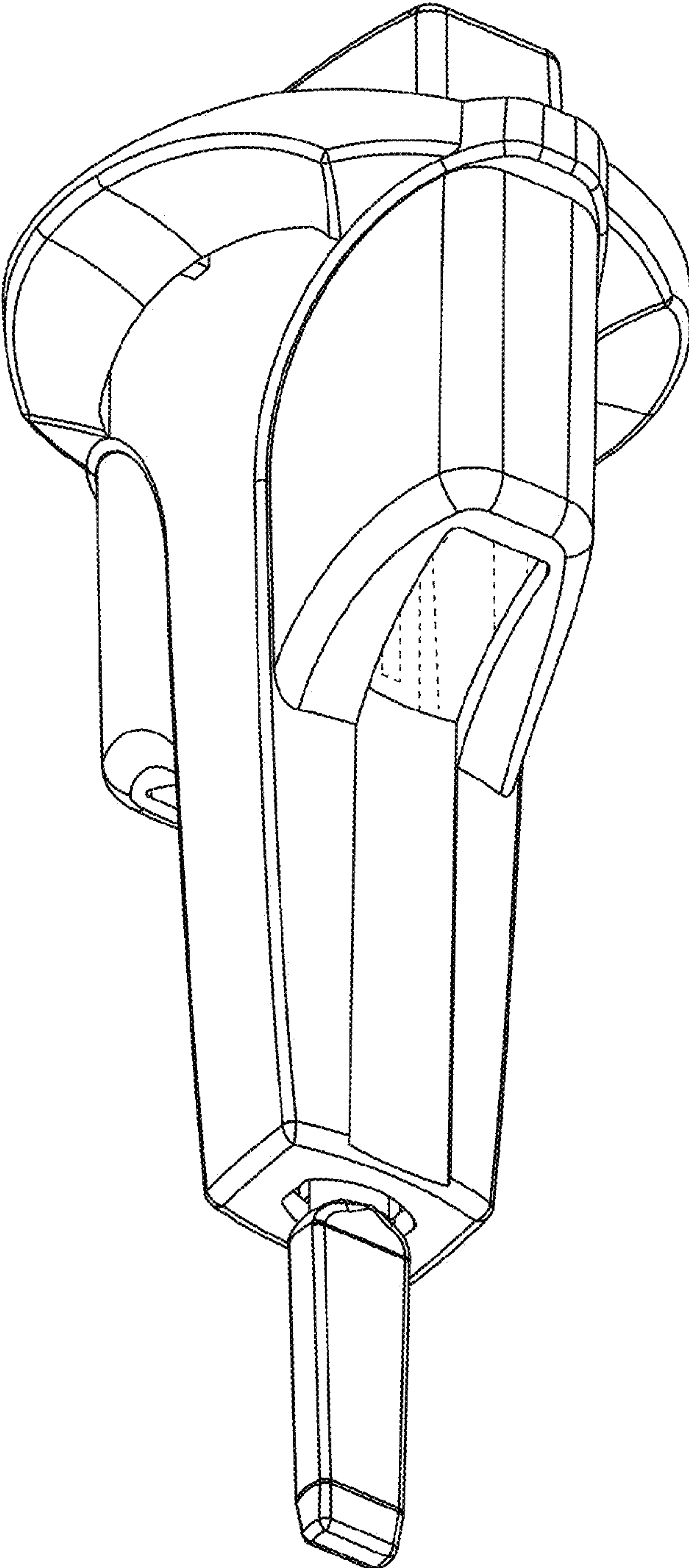


FIG. 3

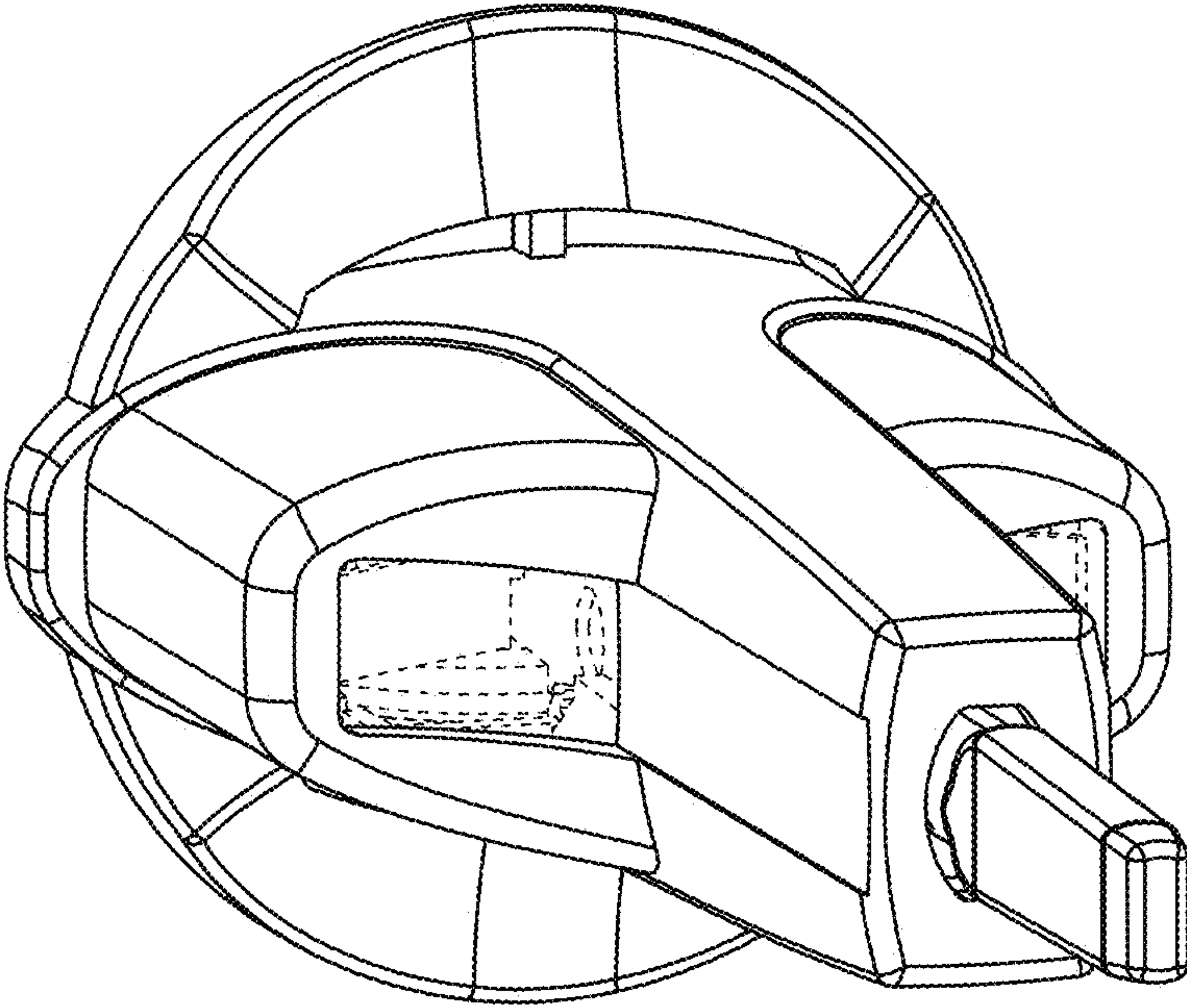


FIG. 4

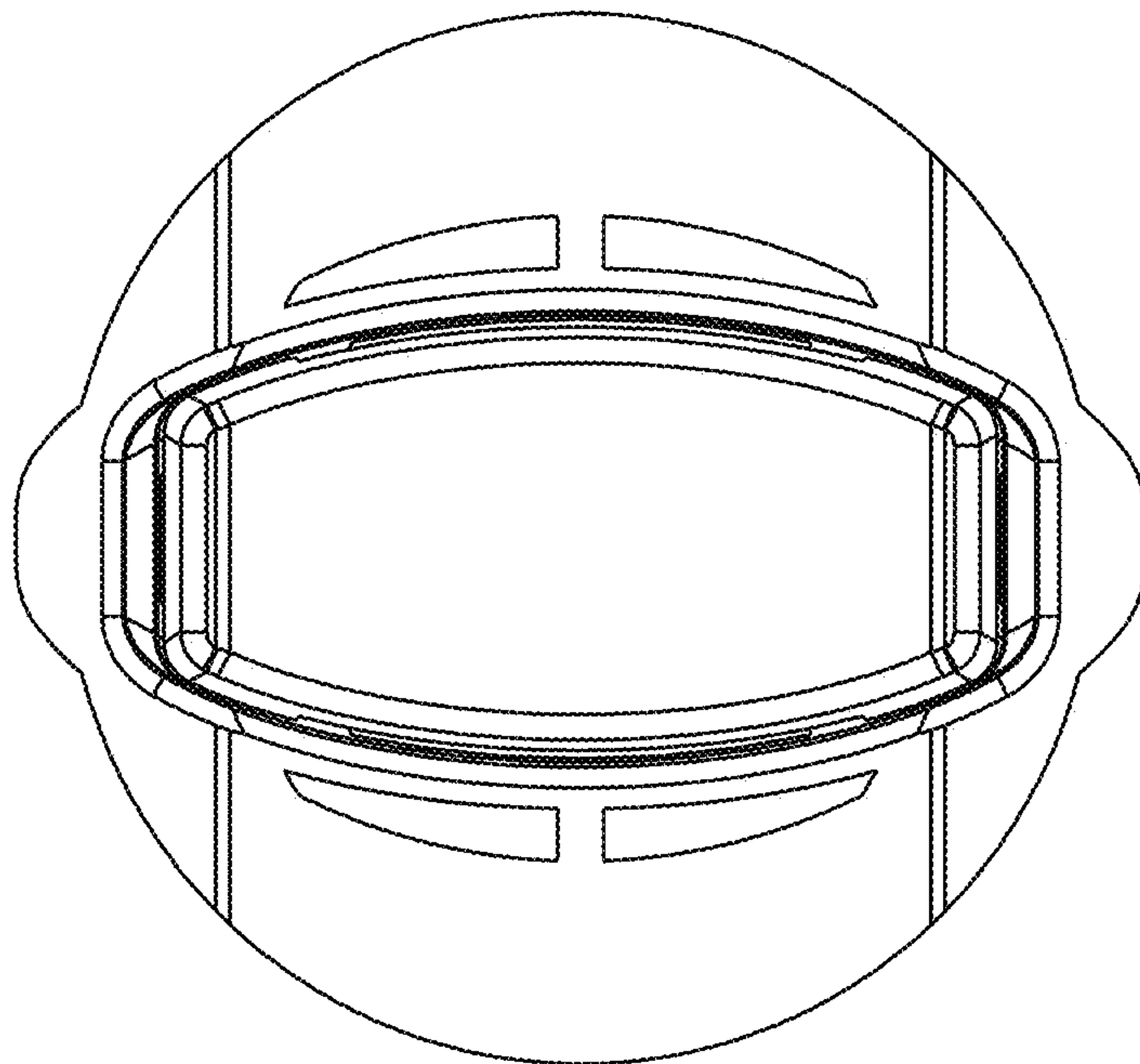




FIG. 5

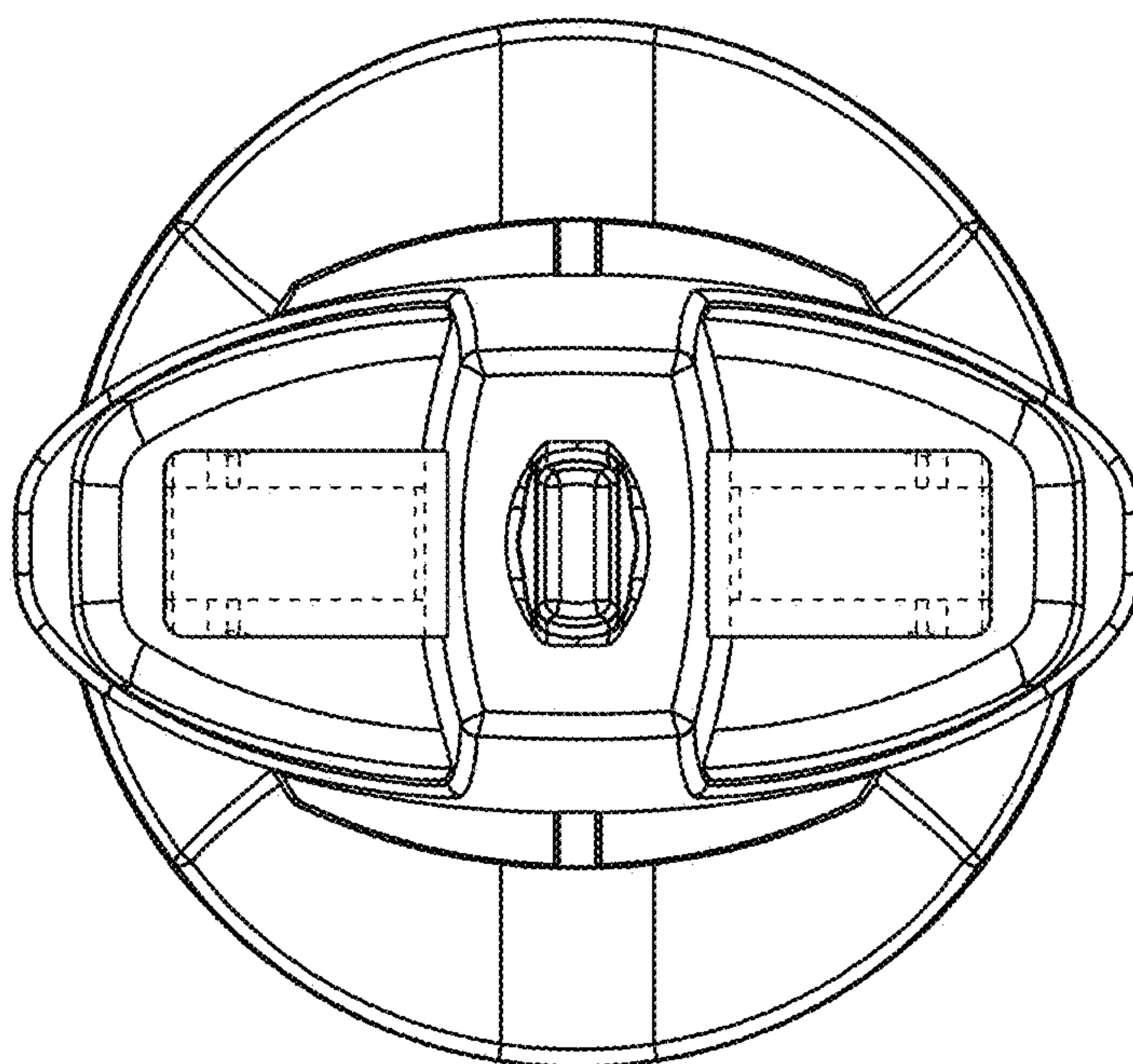


FIG. 6

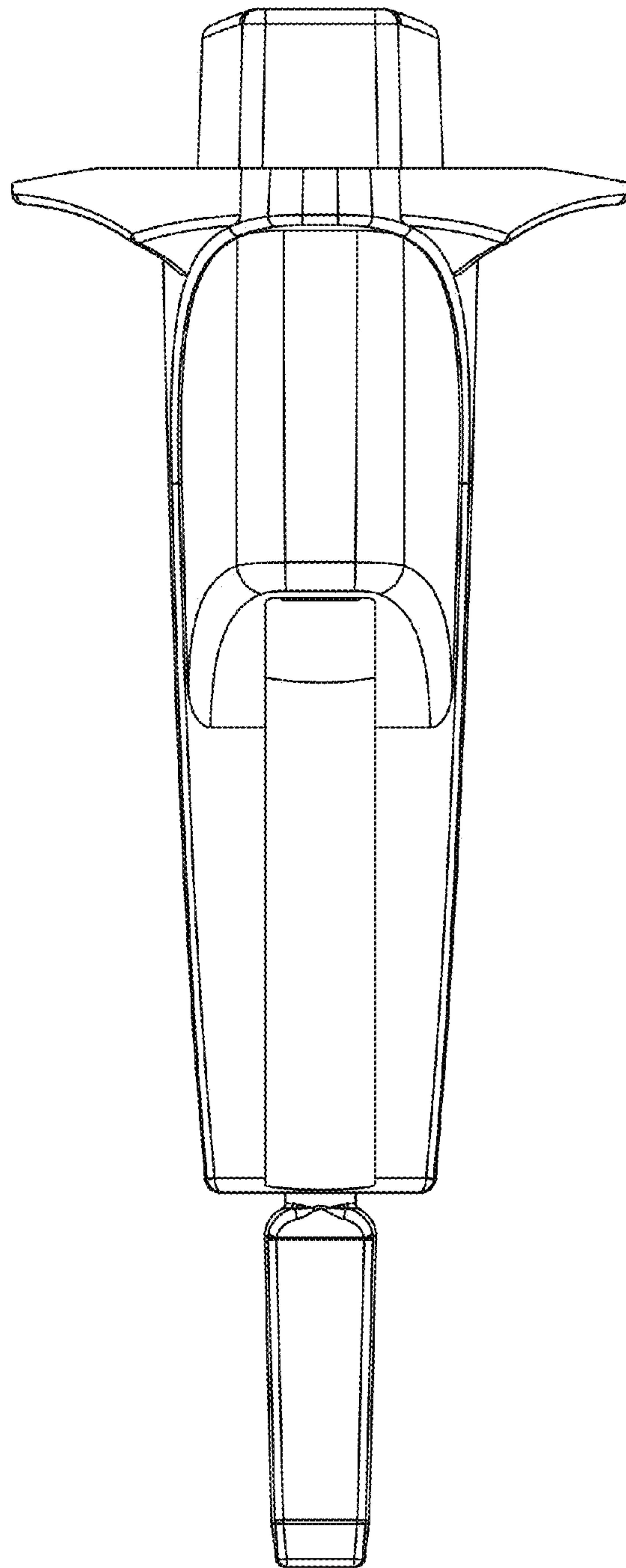




FIG. 7

