



US00D745673S

(12) **United States Design Patent**
Frey et al.

(10) **Patent No.:** **US D745,673 S**
(45) **Date of Patent:** **** Dec. 15, 2015**

(54) **LUMBAR SURGICAL GUIDE**

(71) Applicants: **George Frey**, Englewood, CO (US);
Benjamin Majors, Denver, CO (US);
Geoff Lai, Lakewood, CO (US)

(72) Inventors: **George Frey**, Englewood, CO (US);
Benjamin Majors, Denver, CO (US);
Geoff Lai, Lakewood, CO (US)

(**) Term: **14 Years**

(21) Appl. No.: **29/476,709**

(22) Filed: **Dec. 16, 2013**

Related U.S. Application Data

(63) Continuation-in-part of application No. 29/432,668,
filed on Sep. 18, 2012, now Pat. No. Des. 705,929.

(51) **LOC (10) Cl.** **24-02**

(52) **U.S. Cl.**
USPC **D24/140**

(58) **Field of Classification Search**

USPC D24/140, 133, 155; 606/86 R-91,
606/96-103, 246, 248; 623/17.11, 17.16;
600/410

CPC A61C 1/085; A61C 8/0092; A61C 1/084;
A61C 8/0089; A61C 13/0003; A61C 8/0048;
A61C 8/005; A61B 17/1635; A61B 17/14;
A61B 17/15; A61B 17/1662; A61B 17/1671;
A61B 17/1691; A61B 17/1693; A61B 17/17;
A61B 17/1739; A61B 17/1757; A61B
2017/1792; A61F 2002/4631; A61F
2002/4687; A61F 2002/5081; A61F 2/46;
A61F 2/4601; A61F 2/4611

See application file for complete search history.

(56) **References Cited**

U.S. PATENT DOCUMENTS

3,151,392 A 10/1964 Chambers
5,201,734 A 4/1993 Cozad et al.
D359,557 S 6/1995 Hayes

(Continued)

FOREIGN PATENT DOCUMENTS

CN 201275138 7/2009
CN 201404283 2/2010

(Continued)

OTHER PUBLICATIONS

Notice of Allowance for U.S. Appl. No. 13/172,683 mailed Apr. 23,
2014, 7 pages.

(Continued)

Primary Examiner — Bridget L Eland

Assistant Examiner — Lauren McVey

(74) *Attorney, Agent, or Firm* — Sheridan Ross P.C.

(57) **CLAIM**

The ornamental design for a lumbar surgical guide, as shown
and described.

DESCRIPTION

FIG. 1 is a perspective view of a lumbar surgical guide,
showing our new design;

FIG. 2 is a front elevation view of the lumbar surgical guide
illustrated in FIG. 1;

FIG. 3 is a rear elevation view of the lumbar surgical guide
illustrated in FIG. 1;

FIG. 4 is a right elevation view of the lumbar surgical guide
illustrated in FIG. 1;

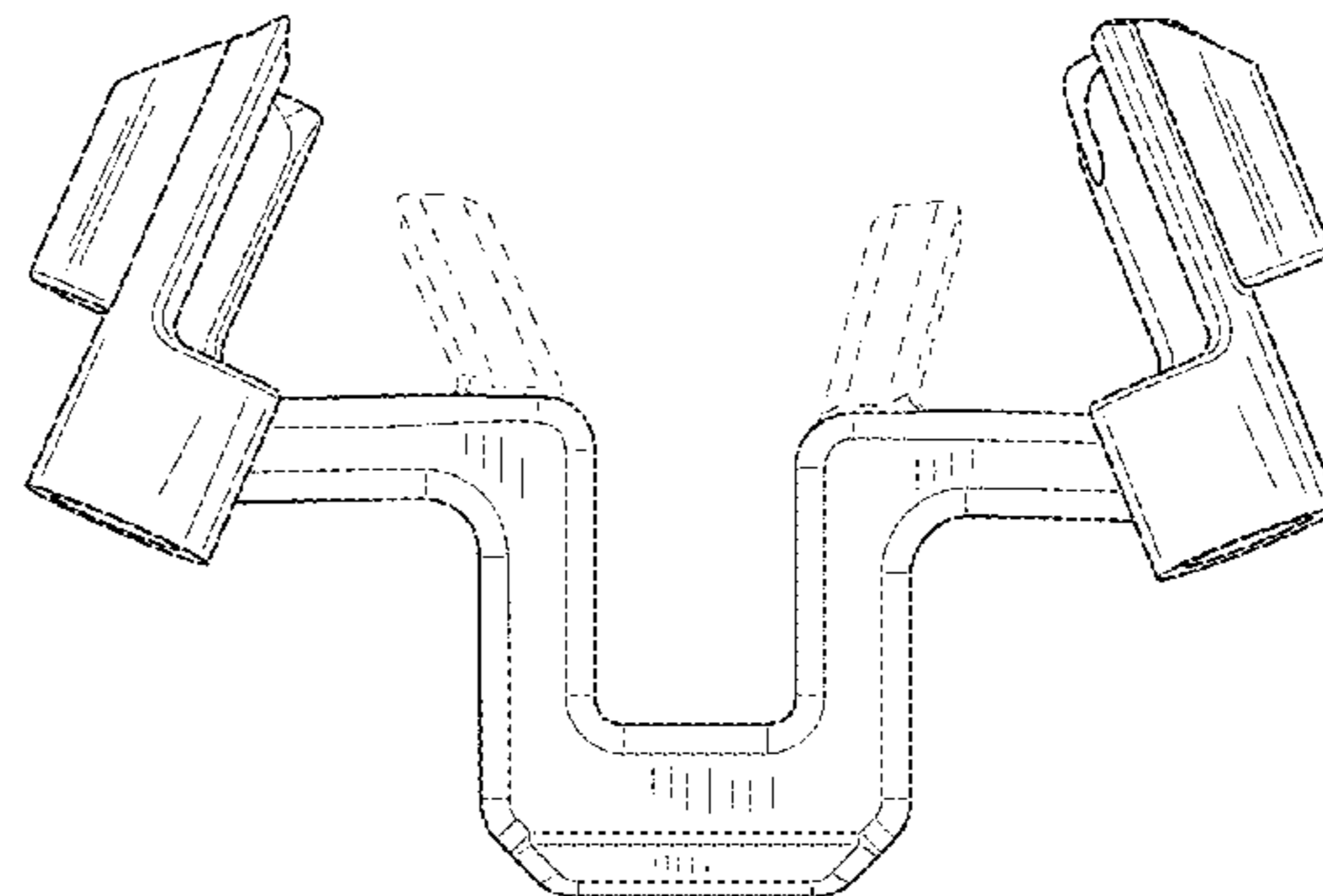
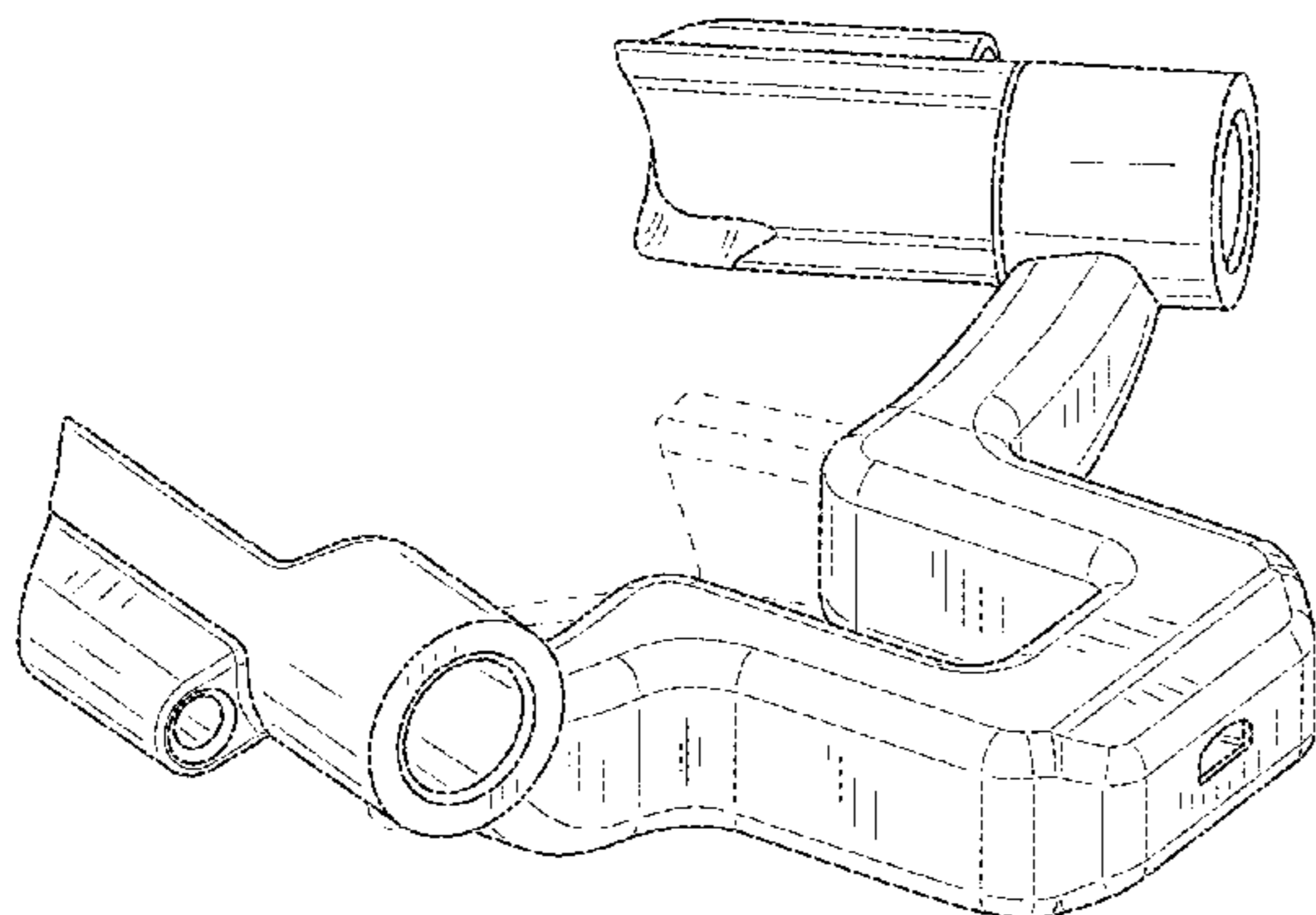
FIG. 5 is a left elevation view of the lumbar surgical guide
illustrated in FIG. 1;

FIG. 6 is a top plan view of the lumbar surgical guide illus-
trated in FIG. 1; and,

FIG. 7 is a bottom plan view of the lumbar surgical guide
illustrated in FIG. 1.

The broken lines immediately adjacent the shaded areas rep-
resent the bounds of the claimed design while all other broken
lines are directed to environment; the broken lines form no
part of the claimed design.

1 Claim, 4 Drawing Sheets



(56)

References Cited

U.S. PATENT DOCUMENTS

D403,066 S 12/1998 DeFonzo
 D412,032 S 7/1999 Mikula-Curtis et al.
 D420,132 S 2/2000 Bucholz et al.
 D428,989 S 8/2000 Segermark et al.
 6,711,432 B1 3/2004 Krause et al.
 6,755,839 B2 6/2004 Van Hoeck et al.
 D532,515 S 11/2006 Buttler et al.
 D533,664 S 12/2006 Buttler et al.
 7,235,076 B2 6/2007 Pacheco
 7,491,180 B2 2/2009 Pacheco
 7,623,902 B2 11/2009 Pacheco
 D606,195 S 12/2009 Eisen et al.
 7,658,610 B2 2/2010 Knopp
 D618,796 S 6/2010 Cantu et al.
 7,844,356 B2 11/2010 Matov et al.
 7,957,824 B2 6/2011 Boronvinskih et al.
 8,159,753 B2 4/2012 Ojeda et al.
 8,167,884 B2 5/2012 Pacheco
 8,206,396 B2 6/2012 Trabish
 8,214,014 B2 7/2012 Pacheco
 8,257,083 B2 9/2012 Berckmans et al.
 D669,176 S 10/2012 Frey
 D669,984 S 10/2012 Cheney et al.
 8,277,461 B2 10/2012 Pacheco
 D672,038 S 12/2012 Frey
 8,419,740 B2 4/2013 Aram et al.
 D685,087 S 6/2013 Voic
 D705,929 S * 5/2014 Frey D24/140
 8,758,357 B2 * 6/2014 Frey A61B 17/15
 600/424
 D718,862 S 12/2014 Matheny
 D718,863 S 12/2014 Matheny
 D718,864 S 12/2014 Matheny
 D726,914 S 4/2015 Matheny
 D738,498 S * 9/2015 Frey D24/140
 2004/0097925 A1 5/2004 Boehm et al.
 2005/0148843 A1 7/2005 Roose
 2006/0084986 A1 4/2006 Grinberg et al.
 2006/0095044 A1 5/2006 Grady, Jr. et al.
 2006/0149375 A1 7/2006 Yuan et al.
 2006/0241385 A1 10/2006 Dietz
 2007/0288030 A1 12/2007 Metzger et al.
 2008/0114370 A1 5/2008 Schoenefeld
 2008/0161815 A1 7/2008 Schoenefeld et al.
 2008/0183214 A1 7/2008 Copp et al.
 2008/0257363 A1 10/2008 Schoenefeld et al.
 2008/0275452 A1 11/2008 Lang et al.
 2008/0312659 A1 12/2008 Metzger et al.
 2008/0319491 A1 12/2008 Schoenefeld
 2009/0087276 A1 4/2009 Rose
 2009/0088674 A1 4/2009 Caillouette et al.
 2009/0088761 A1 4/2009 Roose et al.
 2009/0088763 A1 4/2009 Aram et al.
 2009/0093816 A1 4/2009 Roose et al.
 2009/0099567 A1 4/2009 Zajac
 2009/0110498 A1 4/2009 Park
 2009/0138020 A1 5/2009 Park et al.
 2009/0187194 A1 7/2009 Hamada
 2009/0198277 A1 8/2009 Gordon et al.
 2009/0254093 A1 10/2009 White et al.
 2009/0270868 A1 10/2009 Park et al.
 2010/0016984 A1 1/2010 Trabish
 2010/0049195 A1 2/2010 Park et al.
 2010/0082035 A1 4/2010 Keefer
 2010/0087829 A1 4/2010 Metzger et al.
 2010/0100193 A1 4/2010 White
 2010/0152782 A1 6/2010 Stone et al.
 2010/0191244 A1 7/2010 White et al.
 2010/0217270 A1 8/2010 Polinski et al.
 2010/0217336 A1 8/2010 Crawford et al.
 2010/0305700 A1 12/2010 Ben-Arye et al.
 2010/0324692 A1 12/2010 Uthgenannt et al.
 2011/0015636 A1 1/2011 Katrana et al.
 2011/0015639 A1 1/2011 Metzger et al.
 2011/0046735 A1 2/2011 Metzger et al.

2011/0054478 A1 3/2011 Vanasse et al.
 2011/0071533 A1 3/2011 Metzger et al.
 2011/0093023 A1 4/2011 Lee et al.
 2011/0093086 A1 4/2011 Witt et al.
 2011/0160736 A1 6/2011 Meridew et al.
 2011/0160867 A1 6/2011 Meridew et al.
 2011/0166578 A1 7/2011 Stone et al.
 2011/0184419 A1 7/2011 Meridew et al.
 2011/0184526 A1 7/2011 White et al.
 2011/0190899 A1 8/2011 Pierce et al.
 2011/0213376 A1 9/2011 Maxson et al.
 2011/0218545 A1 9/2011 Catanzarite et al.
 2011/0224674 A1 9/2011 White et al.
 2011/0288433 A1 11/2011 Kelleher et al.
 2011/0319745 A1 12/2011 Frey
 2012/0041445 A1 2/2012 Roose et al.
 2012/0130434 A1 5/2012 Stemniski
 2012/0179259 A1 7/2012 McDonough et al.
 2012/0215315 A1 8/2012 Hochschuler et al.
 2013/0218163 A1 8/2013 Frey

FOREIGN PATENT DOCUMENTS

CN 101390773 11/2010
 CN 101953713 1/2011
 EM 002483651-0001 * 7/2014
 EM 002483693-0001 * 7/2014
 EM 002483784-0001 * 7/2014
 EM 002609743-0001 * 2/2015
 EP 2168507 3/2010
 JP 2008-514362 5/2008
 JP D1508406 * 10/2014
 WO WO 2006/039266 4/2006
 WO WO 2007/145937 12/2007
 WO WO 2008/027549 3/2008
 WO WO 2009/129063 10/2009
 WO WO 2010/033431 3/2010
 WO WO 2010/148103 12/2010
 WO WO 2011/041398 4/2011
 WO WO 2011/080260 7/2011
 WO WO 2011/106711 9/2011
 WO WO 2011/109260 9/2011

OTHER PUBLICATIONS

Official Action for U.S. Appl. No. 13/841,069 mailed Jul. 8, 2014, 6 pages.
 Official Action for China Patent Application No. 201180029692.7, mailed Oct. 8, 2014 12 pages.
 Official Action for U.S. Appl. No. 13/841,069, mailed Jul. 31, 2014 9 pages.
 Notice of Allowance for U.S. Appl. No. 13/841,069, mailed Sep. 18, 2014 7 pages.
 U.S. Appl. No. 14/298,634, filed Jun. 6, 2014, Frey et al.
 U.S. Appl. No. 29/496,231, filed Jul. 10, 2014, Frey et al.
 Brussel et al. "Medical Image-Based Design of an Individualized Surgical Guide for Pedicle Screw Insertion." 18th Annual International Conference of the IEEE Engineering in Medicine and Biology Society, Amsterdam 1996, pp. 225-226.
 Partial Search Report for European Patent Application No. 11804191.2, dated Jan. 20, 2015 6 pages.
 International Preliminary Report on Patentability for International (PCT) Patent Application No. PCT/US2013/036535, mailed Oct. 30, 2014 7 pages.
 International Search Report and Written Opinion for International (PCT) Patent Application No. PCT/US2014/041379, mailed Oct. 28, 2014 7 pages.
 U.S. Appl. No. 29/538,633, filed Sep. 4, 2015, Frey et al.
 Official Action with English Translation for Japan Patent Application No. 2013-518663, mailed May 12, 2015 4 pages.
 Notice of Allowance for U.S. Appl. No. 29/476,705, mailed Oct. 7, 2015 8 pages.
 Notice of Allowance for U.S. Appl. No. 29/476,699, mailed Oct. 2, 2015 8 pages.
 Notice of Allowance for U.S. Appl. No. 29/496,231, mailed Jul. 23, 2015 10 pages.

(56)

References Cited

OTHER PUBLICATIONS

Official Action for U.S. Appl. No. 14/298,634, mailed Apr. 27, 2015 8 pages.

Official Action for U.S. Appl. No. 14/298,634, mailed Jul. 7, 2015 6 pages.

Official Action for Australian Patent Application No. 2011276468 dated Apr. 10, 2013, 3 pages.

Official Action for U.S. Appl. No. 13/172,683, mailed Feb. 24, 2014, 10 pages.

U.S. Appl. No. 29/432,668, filed Sep. 18, 2012, Frey.

U.S. Appl. No. 29/476,699, filed Dec. 16, 2013, Frey et al.

U.S. Appl. No. 29/476,705, filed Dec. 16, 2013, Frey et al.

Lu et al. "A novel computer-assisted drill guide template for lumbar pedicle screw placement: a cadaveric and clinical study." *The International Journal of Medical Robotics and Computer Assisted Surgery*, Jun. 2009, vol. 5, No. 2, pp. 184-191. (Abstract Only).

Lu et al. "A Novel Patient-Specific Navigational Template for Cervical Pedicle Screw Placement," *Spine*, Dec. 15, 2009, vol. 34, No. 26, pp. E959-E966 (Abstract Only).

Owen et al. "Rapid prototype patient-specific drill template for cervical pedicle screw placement." *Computer Aided Surgery*, Sep. 2007, vol. 12, No. 5, pp. 303-308 (Abstract Only).

Ryken et al. "Image-based drill templates for cervical pedicle screw placement Laboratory investigation," *Journal of Neurosurgery*, Jan. 2009, vol. 10, No. 1 (Abstract Only).

Yin et al. "Computer aid designed digital targeting template of pedicle of vertebral arch for atlantoaxial nailing," *IT in Medicine & Education*, 2009. ITIME '09. Aug. 14-16, 2009, vol. 1 (Abstract Only).

International Search Report and Written Opinion for International (PCT) Patent Application No. PCT/US11/42412 mailed Nov. 8, 2011, 8 pages.

International Preliminary Report on Patentability for International (PCT) Patent Application No. PCT/US11/42412 mailed Jan. 17, 2013, 7 pages.

International Search Report and Written Opinion for International (PCT) Patent Application No. PCT/US2013/036535, mailed Jun. 26, 2013 8 pages.

Official Action for U.S. Appl. No. 13/172,683, mailed Sep. 10, 2013 7 pages.

Notice of Allowance for U.S. Appl. No. 29/409,734, mailed May 11, 2012 8 pages.

Notice of Allowance for U.S. Appl. No. 29/427,918, mailed Oct. 15, 2012 9 pages.

Notice of Allowance for U.S. Appl. No. 29/432,668 mailed Nov. 27, 2013, 11 pages.

* cited by examiner

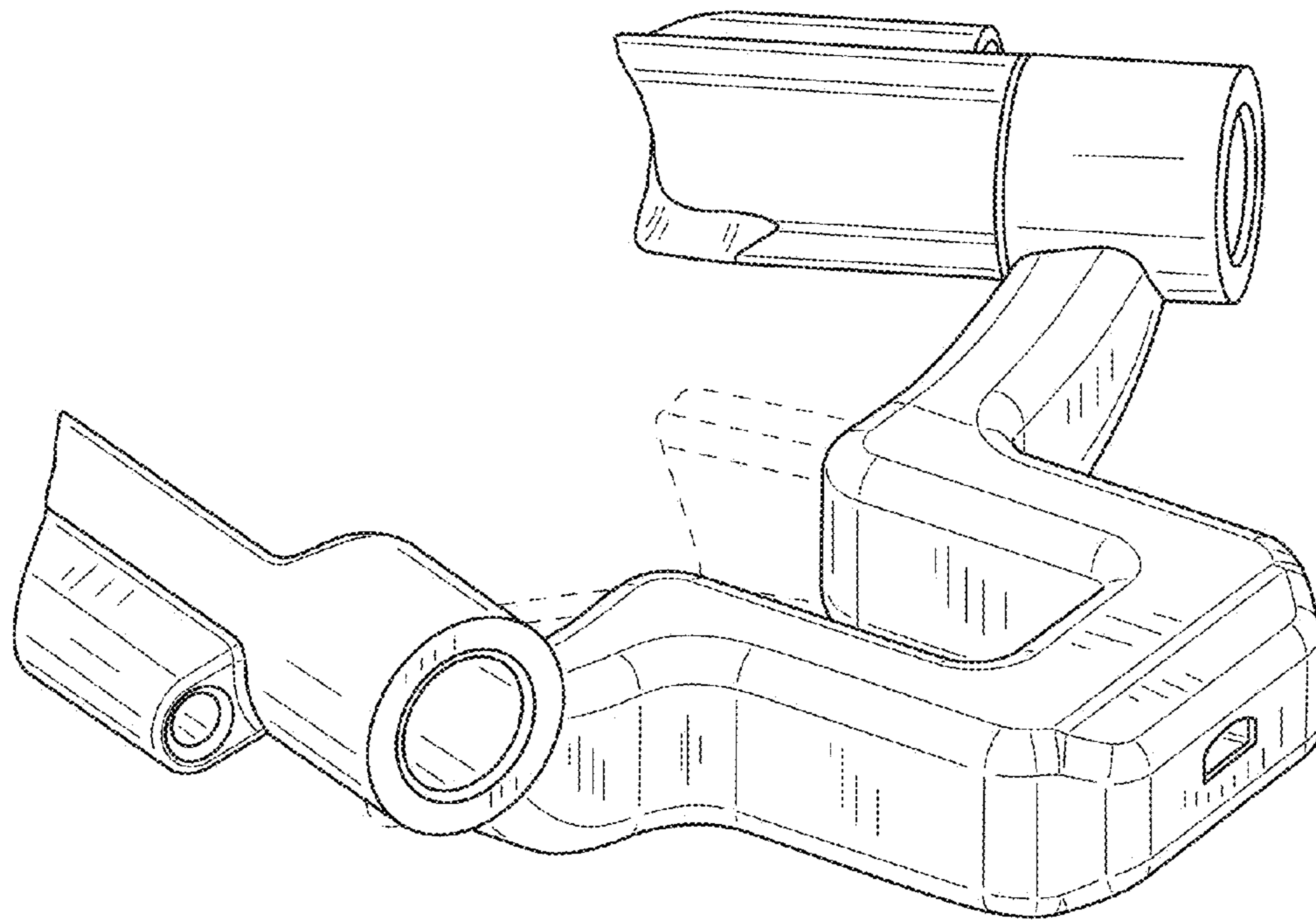


FIG.1

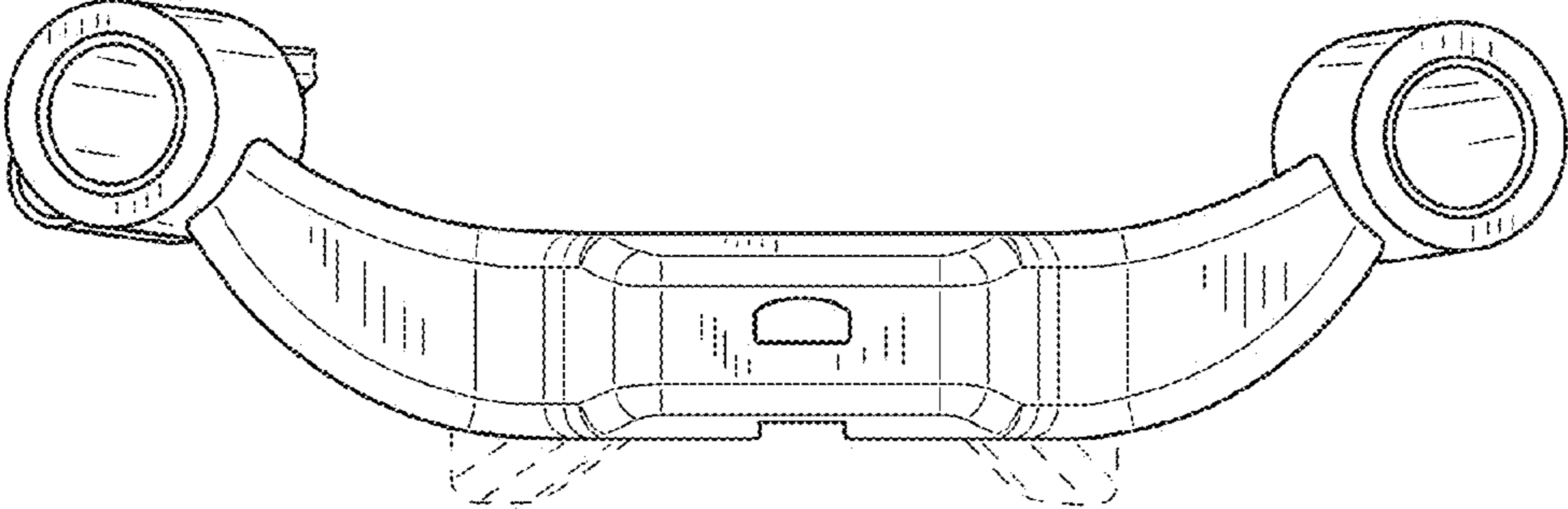


FIG.2

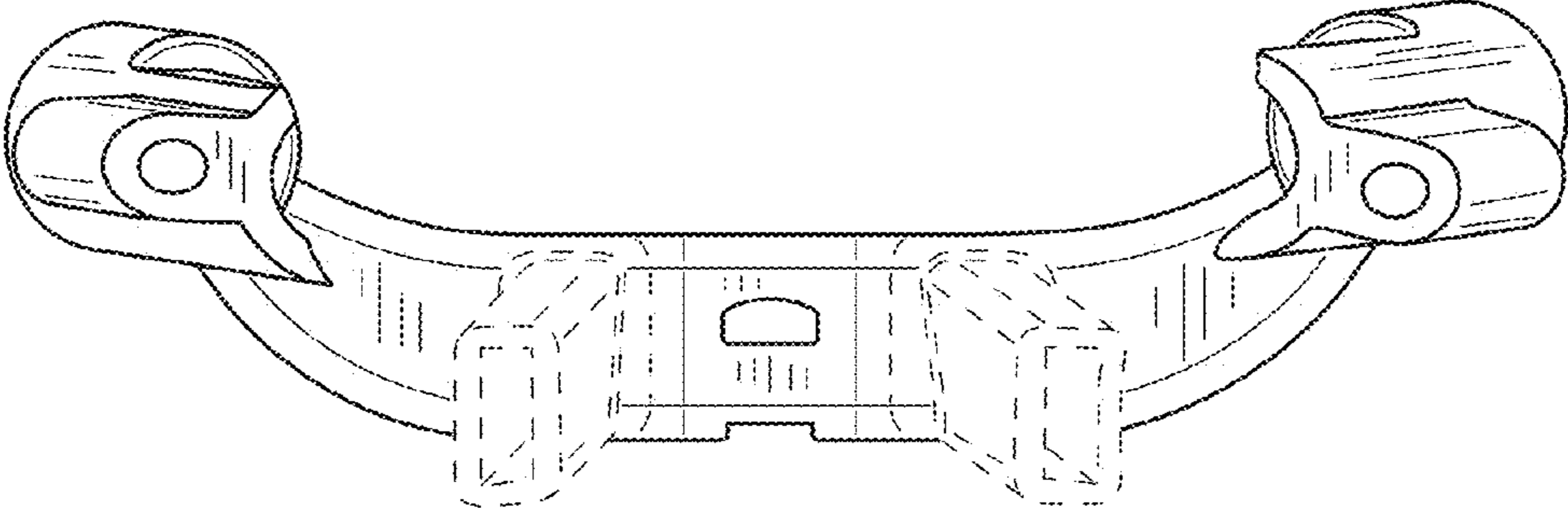


FIG.3

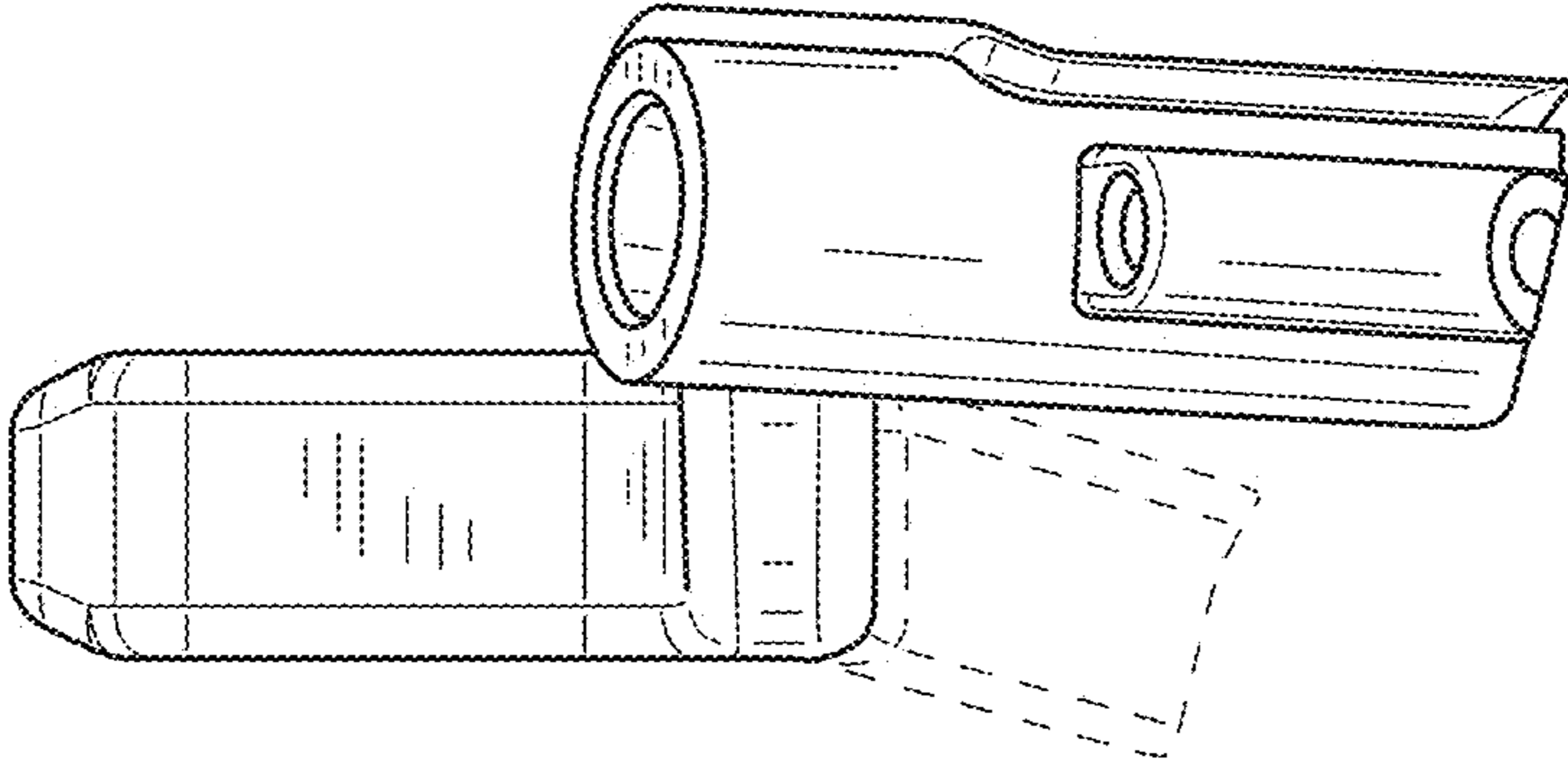


FIG. 4

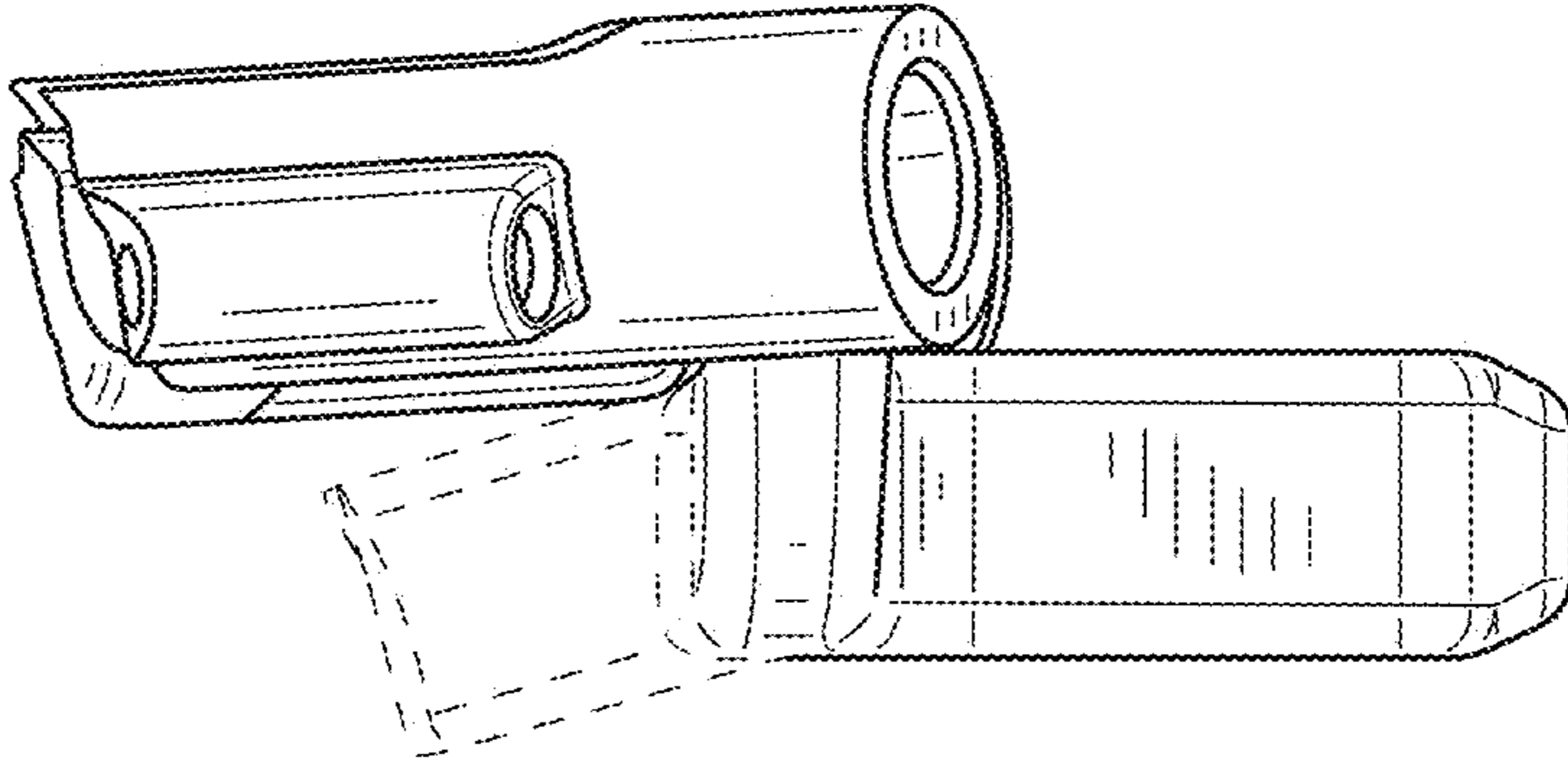


FIG. 5

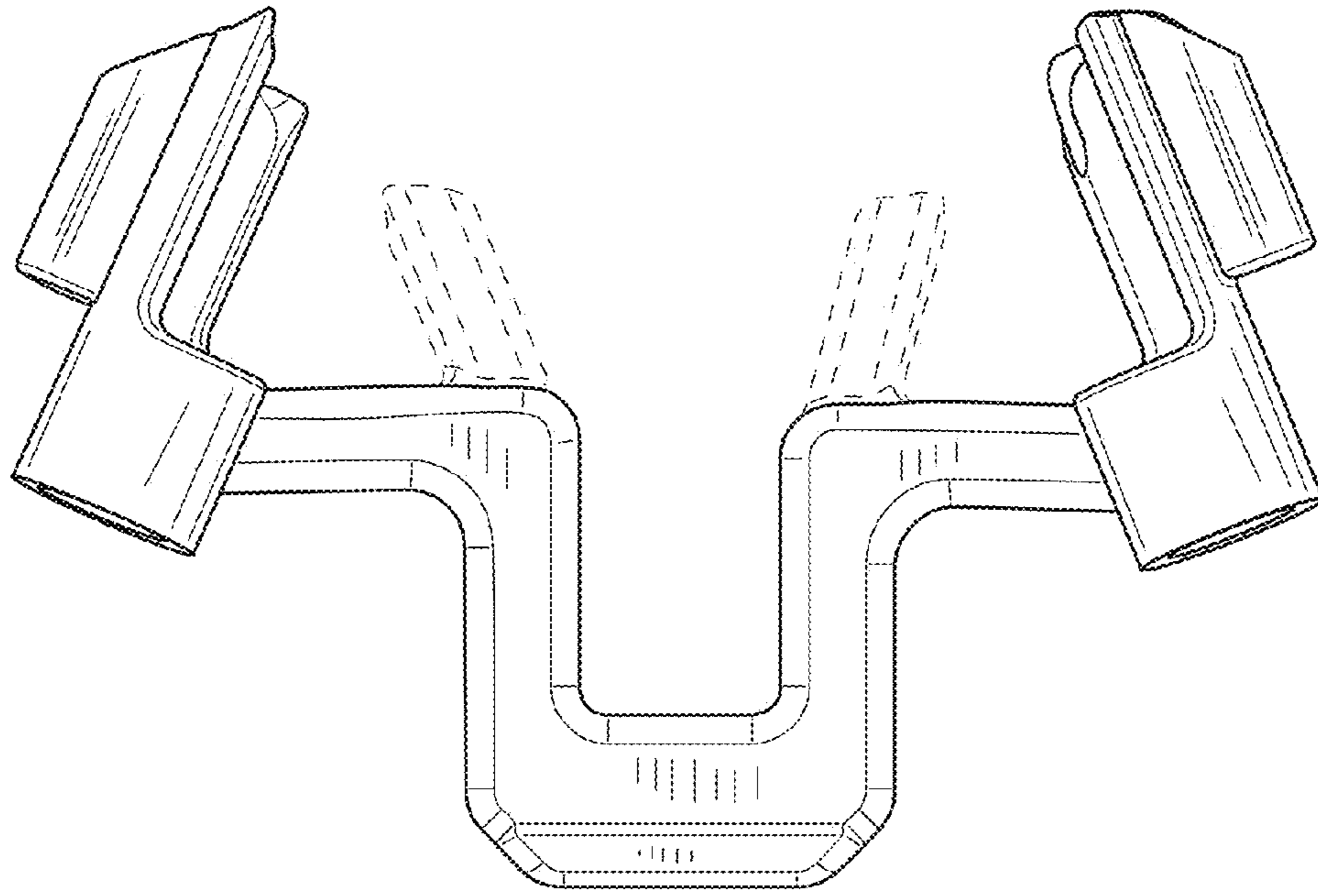


FIG. 6

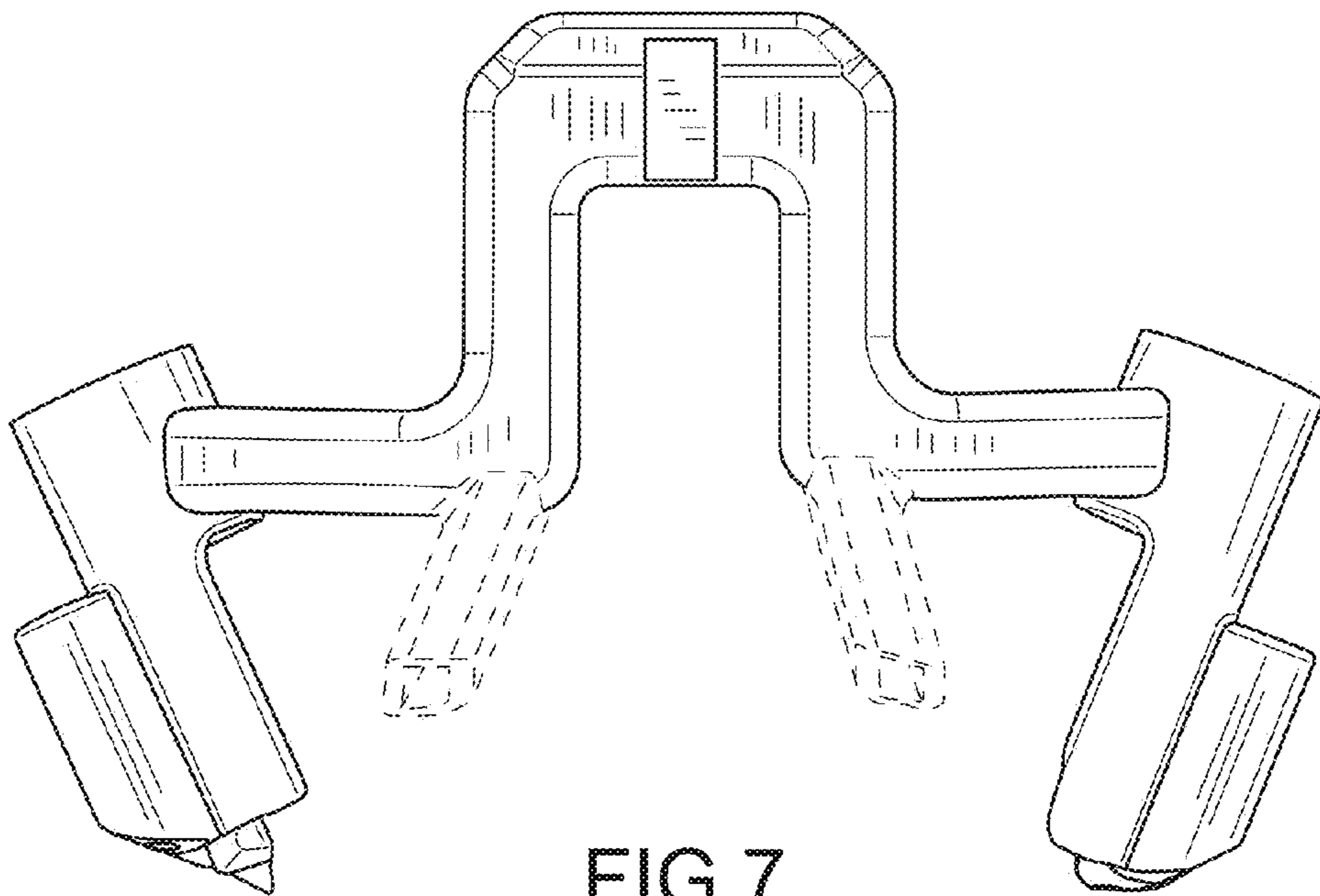


FIG. 7