



US00D745670S

(12) **United States Design Patent**
Czupalla

(10) **Patent No.:** **US D745,670 S**

(45) **Date of Patent:** **** Dec. 15, 2015**

(54) **VIDEO ENDOSCOPE**

(71) Applicant: **KARL STORZ GmbH & Co. KG**,
Tuttlingen (DE)

(72) Inventor: **Christian Czupalla**, Singen (DE)

(73) Assignee: **KARL STORZ GmbH & Co. KG**,
Tuttlingen (DE)

(**) Term: **14 Years**

(21) Appl. No.: **29/509,384**

(22) Filed: **Nov. 17, 2014**

(30) **Foreign Application Priority Data**

May 16, 2014 (EM) 002465609-0001

(51) **LOC (10) Cl.** **24-02**

(52) **U.S. Cl.**
USPC **D24/138**

(58) **Field of Classification Search**
USPC D24/138, 133, 140; D16/208, 219;
600/101, 109, 110, 118, 122, 130, 131,
600/132, 137, 173

CPC A61B 1/0011; A61B 1/00126; A61B
1/00188; A61B 1/042; A61B 1/00121; A61B
1/00128; A61B 1/00114; A61B 1/05

See application file for complete search history.

(56) **References Cited**

U.S. PATENT DOCUMENTS

D621,932 S * 8/2010 Sonleiter D24/133
D629,098 S * 12/2010 Sonleiter D24/133
8,187,171 B2 * 5/2012 Irion A61B 1/00114
600/110
2014/0357952 A1 * 12/2014 Krohn A61B 1/00183
600/112

* cited by examiner

Primary Examiner — Wan Laymon

Assistant Examiner — Mark Booker

(74) *Attorney, Agent, or Firm* — Muncy, Geissler, Olds &
Lowe, P.C.

(57) **CLAIM**

The ornamental design for a video endoscope, as shown and
described.

DESCRIPTION

FIG. 1 is a top front perspective view of a video endoscope
according to the present invention.

FIG. 2 is a top view of the video endoscope of FIG. 1.

FIG. 3 is a left view of the video endoscope of FIG. 1.

FIG. 4 is a right view of the video endoscope of FIG. 1.

FIG. 5 is a bottom view of the video endoscope of FIG. 1.

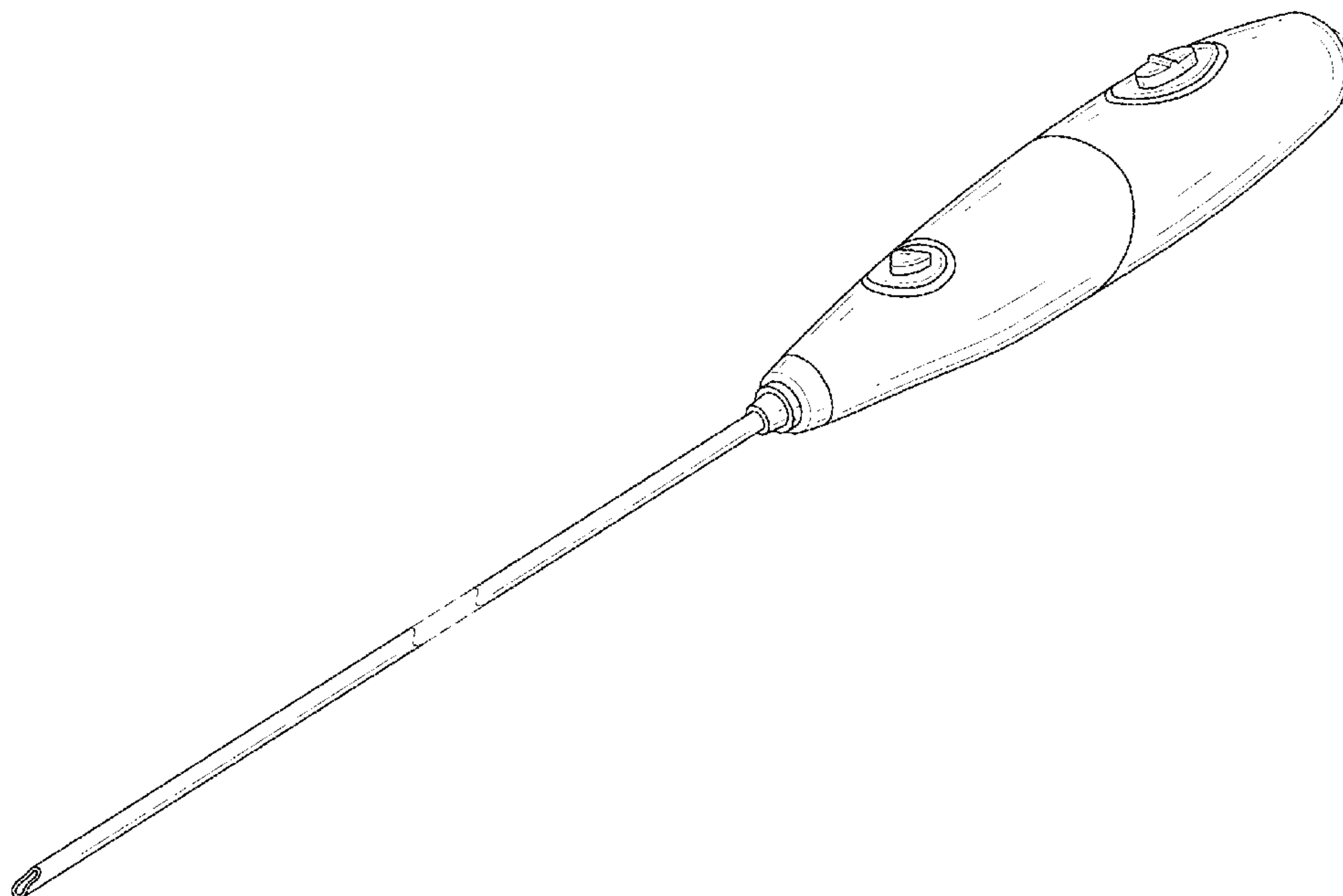
FIG. 6 is an enlarged front view of the video endoscope of
FIG. 1; and,

FIG. 7 is an enlarged rear view of the video endoscope of FIG.
1.

The broken lines shown in the figures represent portions of
article that form no part of the claimed design.

The broken away symbols in the drawings indicate that any
portion of the article beyond what is shown forms no part of
the claimed design.

1 Claim, 7 Drawing Sheets



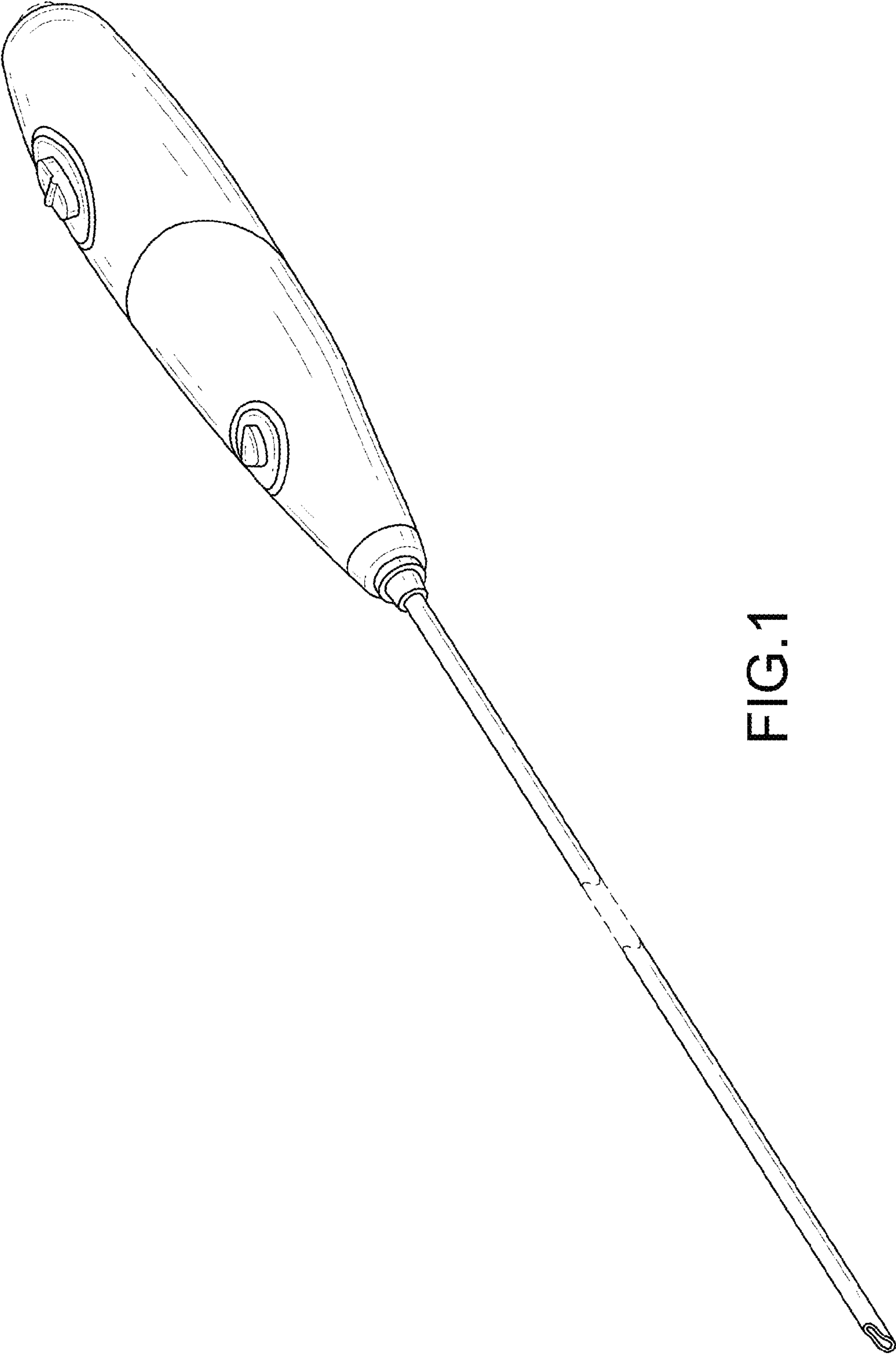


FIG.1

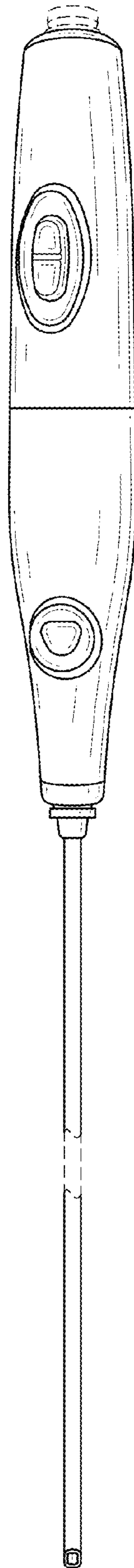


FIG.2

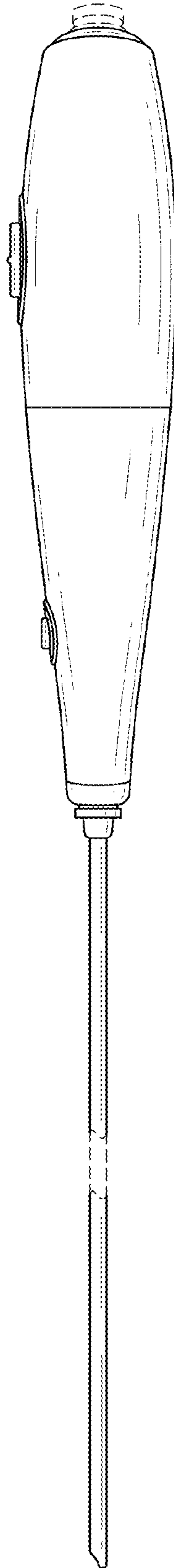


FIG.3

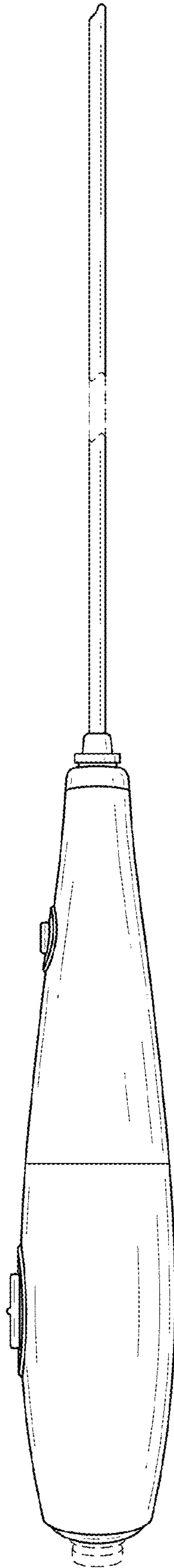


FIG.4

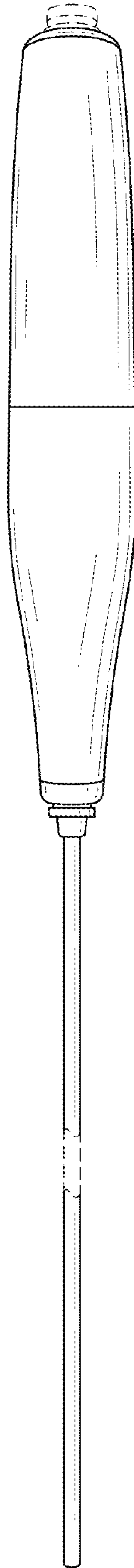


FIG. 5

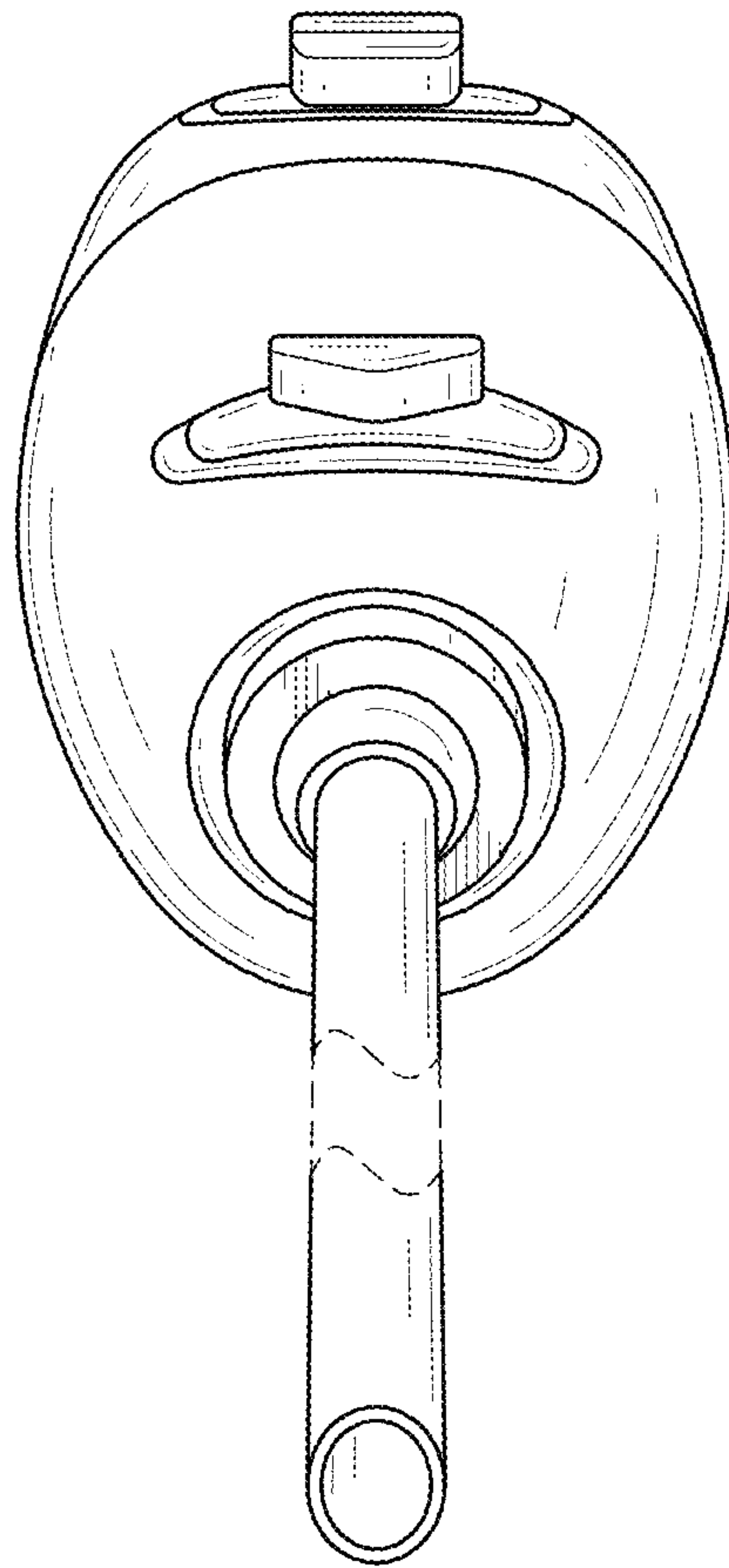


FIG.6

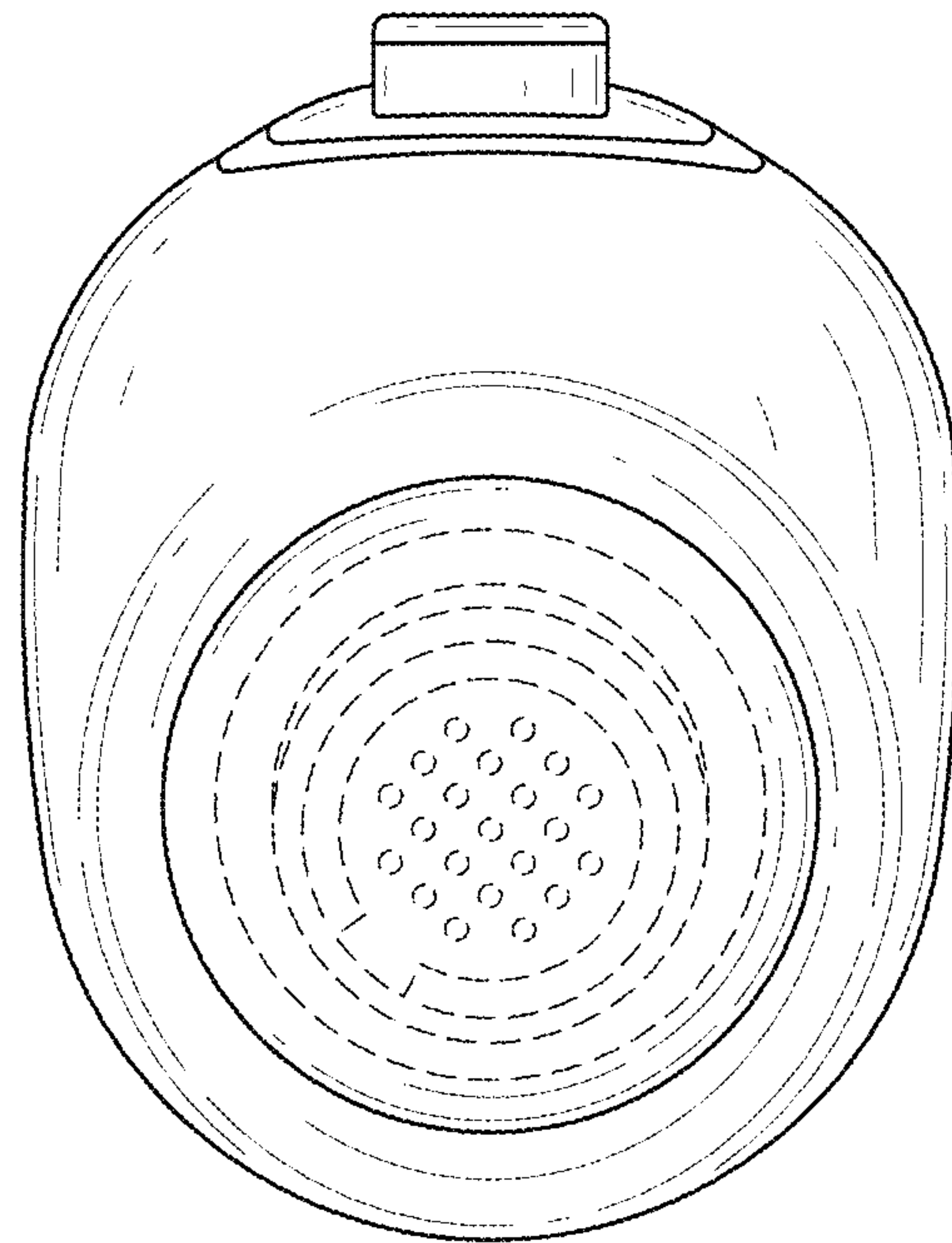


FIG.7