



US00D745669S

(12) **United States Design Patent**
Swift

(10) **Patent No.:** **US D745,669 S**

(45) **Date of Patent:** **** Dec. 15, 2015**

(54) **LARYNGOSCOPE**

(71) Applicant: **OBP Medical Corporation**, Lawrence, MA (US)

(72) Inventor: **Jeffrey Ralph Swift**, Tewksbury, MA (US)

(73) Assignee: **OBP MEDICAL CORPORATION**, Lawrence, MA (US)

(**) Term: **14 Years**

(21) Appl. No.: **29/471,607**

(22) Filed: **Nov. 3, 2013**

Related U.S. Application Data

(63) Continuation-in-part of application No. 13/967,366, filed on Aug. 15, 2013, now Pat. No. 8,979,745.

(51) **LOC (10) Cl.** **24-02**

(52) **U.S. Cl.**
USPC **D24/137**

(58) **Field of Classification Search**
USPC D24/137, 133, 135, 136, 138
CPC A61B 1/267; A61B 1/2673; A61B 1/2676;
A61B 1/273; A61B 1/2733; A61B 1/2736
See application file for complete search history.

(56) **References Cited**

U.S. PATENT DOCUMENTS

5,984,863 A * 11/1999 Ansari 600/185
D491,267 S * 6/2004 Ashraf D24/137

(Continued)

Primary Examiner — Bridget L Eland

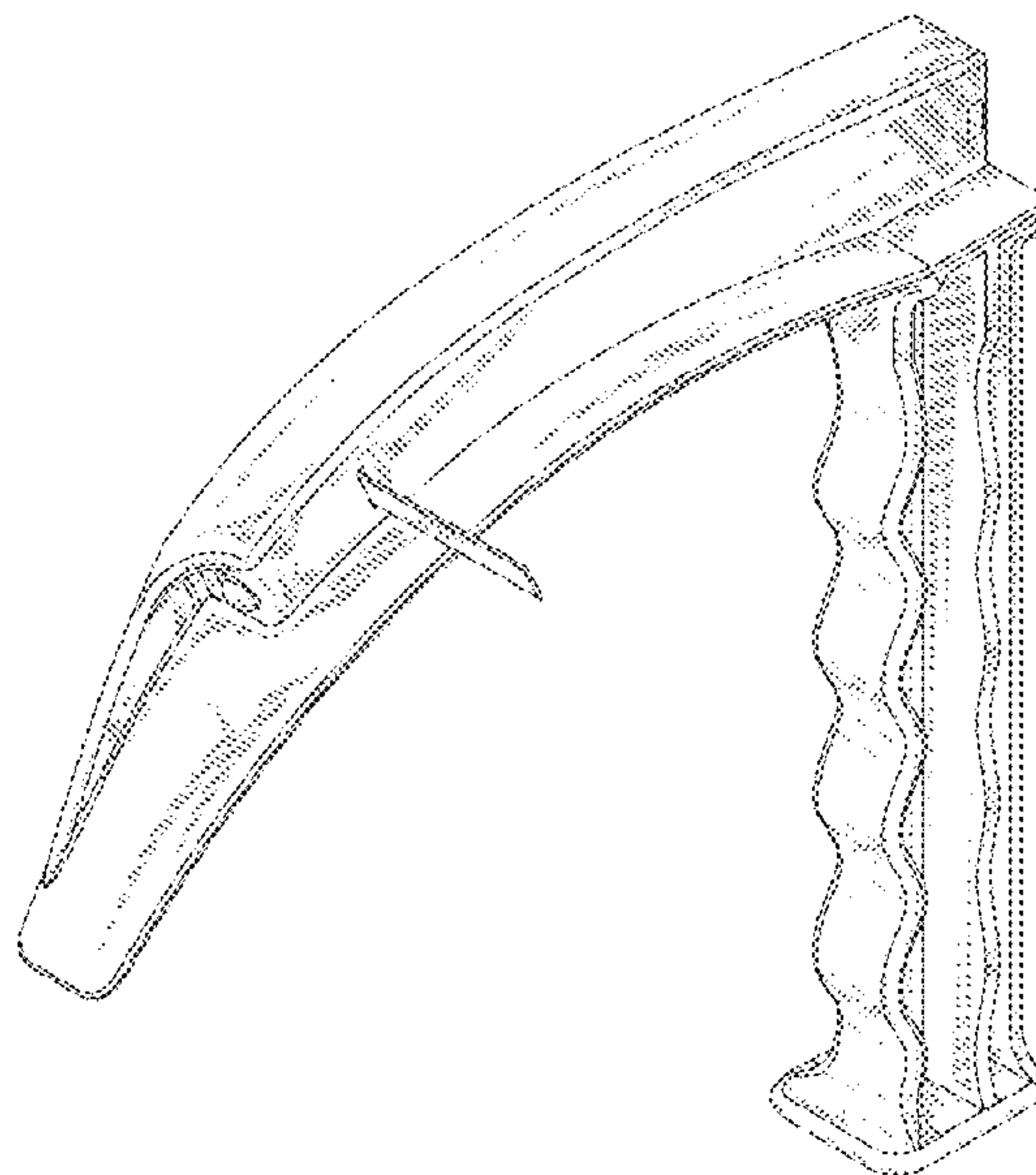
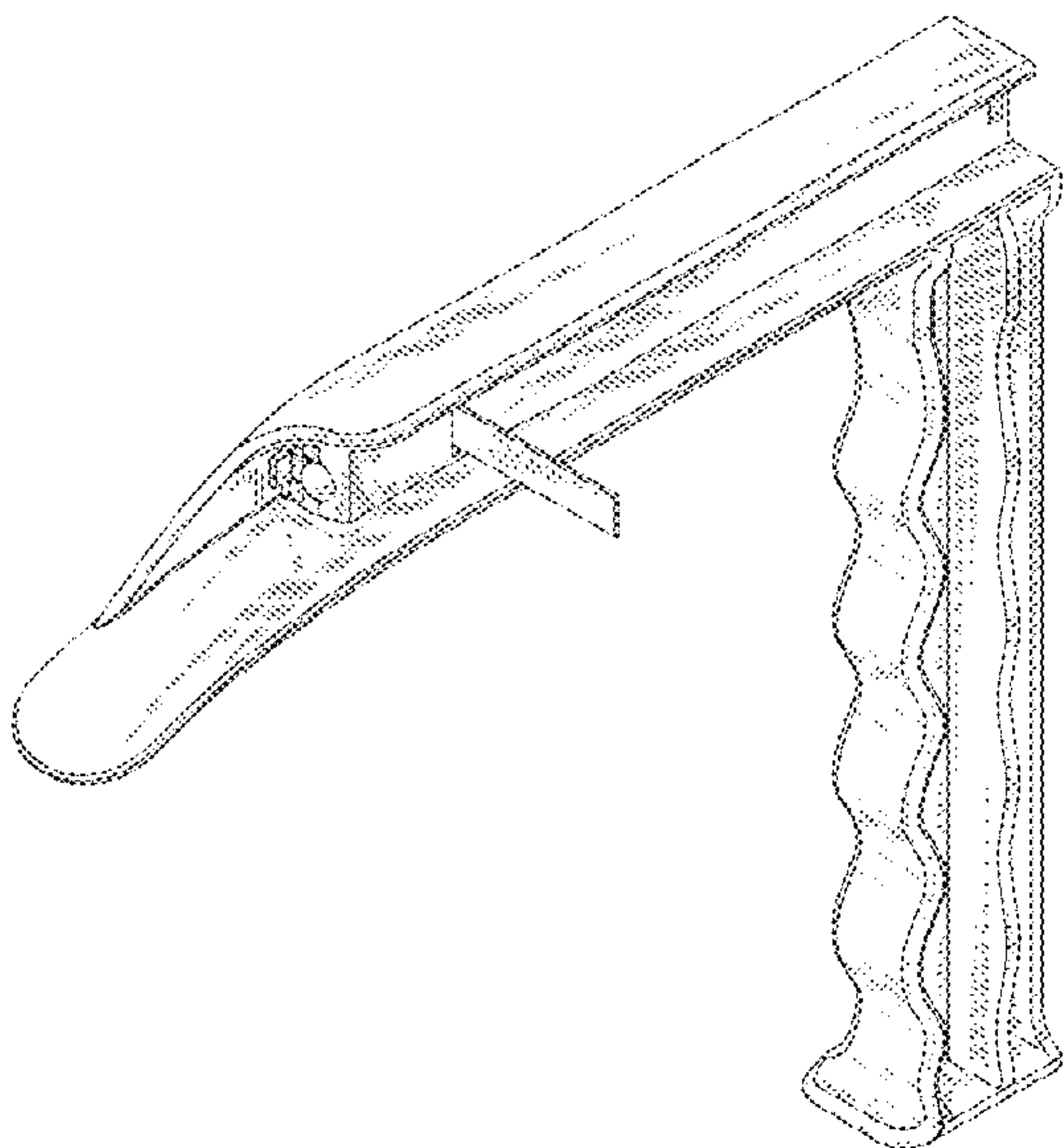
(74) *Attorney, Agent, or Firm* — CKC & Partners Co., Ltd.

(57) **CLAIM**
The ornamental design for a laryngoscope, as shown.

DESCRIPTION

FIG. 1 is a perspective view of a laryngoscope showing my new design;
FIG. 2 is a front view thereof;
FIG. 3 is a rear view thereof;
FIG. 4 is a left side view thereof;
FIG. 5 is a right side view thereof;
FIG. 6 is a top view thereof;
FIG. 7 is a bottom view thereof;
FIG. 8 is an another perspective view thereof;
FIG. 9 is a perspective view of an another embodiment showing my new design;
FIG. 10 is a front view of the design as shown in FIG. 9;
FIG. 11 is a rear view of the design as shown in FIG. 9;
FIG. 12 is a left side view of the design as shown in FIG. 9;
FIG. 13 is a right side of the design as shown in FIG. 9;
FIG. 14 is a top view of the design as shown in FIG. 9;
FIG. 15 is a bottom view of the design as shown in FIG. 9;
FIG. 16 is an another perspective view of the design as shown in FIG. 9;
FIG. 17 is a perspective view of an another embodiment showing my new design;
FIG. 18 is a front view of the design as shown in FIG. 17;
FIG. 19 is a rear view of the design as shown in FIG. 17;
FIG. 20 is a left side view of the design as shown in FIG. 17;
FIG. 21 is a right side of the design as shown in FIG. 17;
FIG. 22 is a top view of the design as shown in FIG. 17;
FIG. 23 is a bottom view of the design as shown in FIG. 17;
and,
FIG. 24 is an another perspective view of the design as shown in FIG. 17.

1 Claim, 24 Drawing Sheets



US D745,669 S

Page 2

(56)

References Cited

U.S. PATENT DOCUMENTS

6,875,169	B2 *	4/2005	Berci et al.	600/112
D550,841	S *	9/2007	Berci et al.	D24/137
D630,741	S *	1/2011	Tenger et al.	D24/137
D631,158	S *	1/2011	Doerges	D24/137
8,366,612	B2 *	2/2013	Rosenthal	600/188
D724,208	S *	3/2015	Miller et al.	D24/137
2005/0159649	A1 *	7/2005	Patel	600/194
2007/0197873	A1 *	8/2007	Birnkrant	600/160
2010/0152541	A1 *	6/2010	Tenger et al.	600/194
2014/0371536	A1 *	12/2014	Miller et al.	600/195
2015/0051447	A1 *	2/2015	Swift	600/193

* cited by examiner

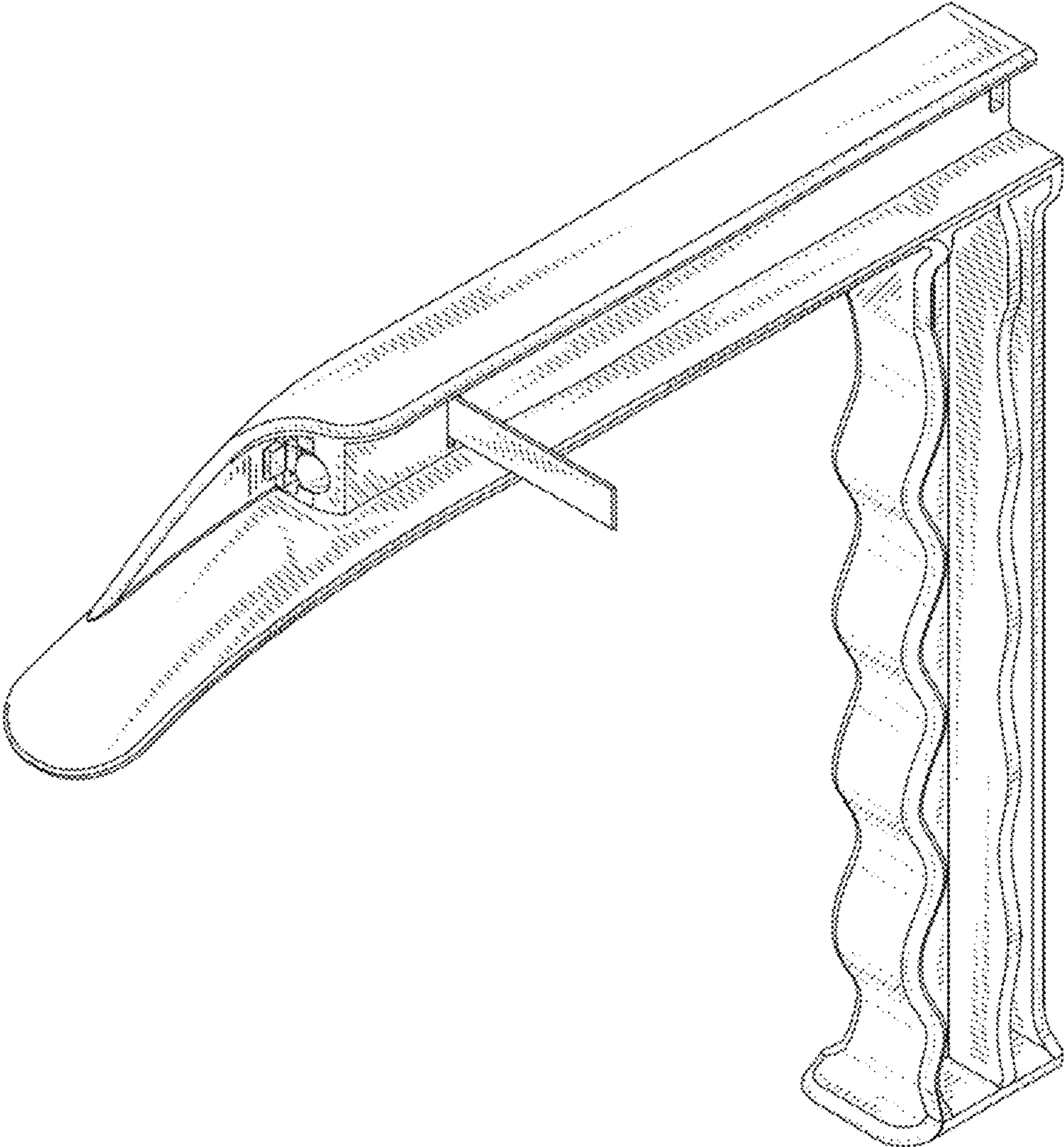


FIG. 1

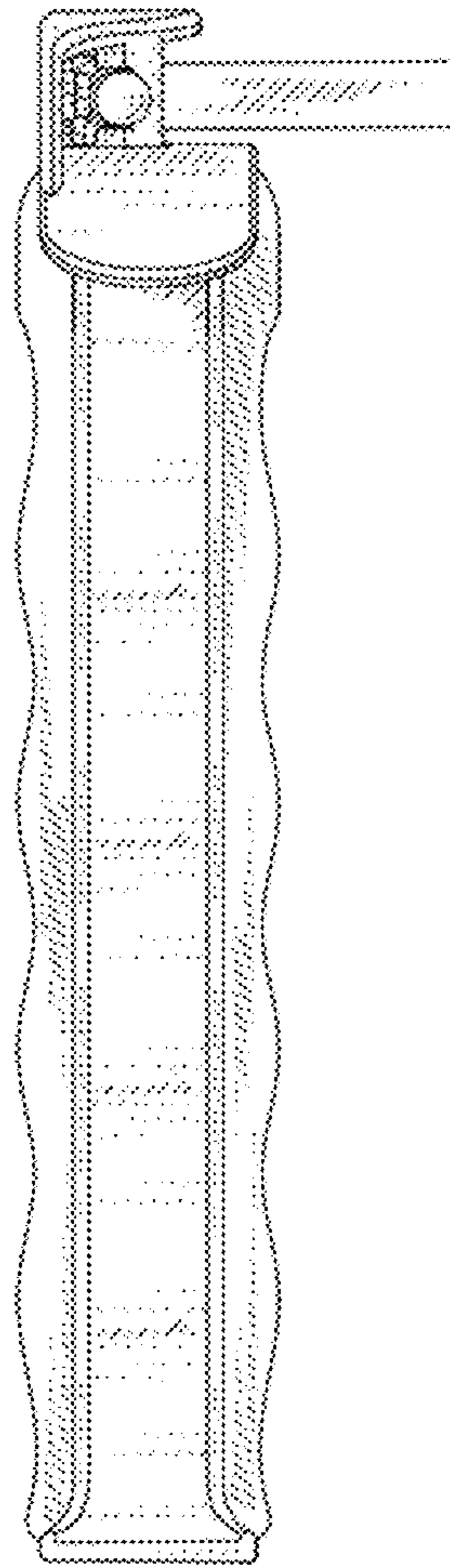


FIG. 2

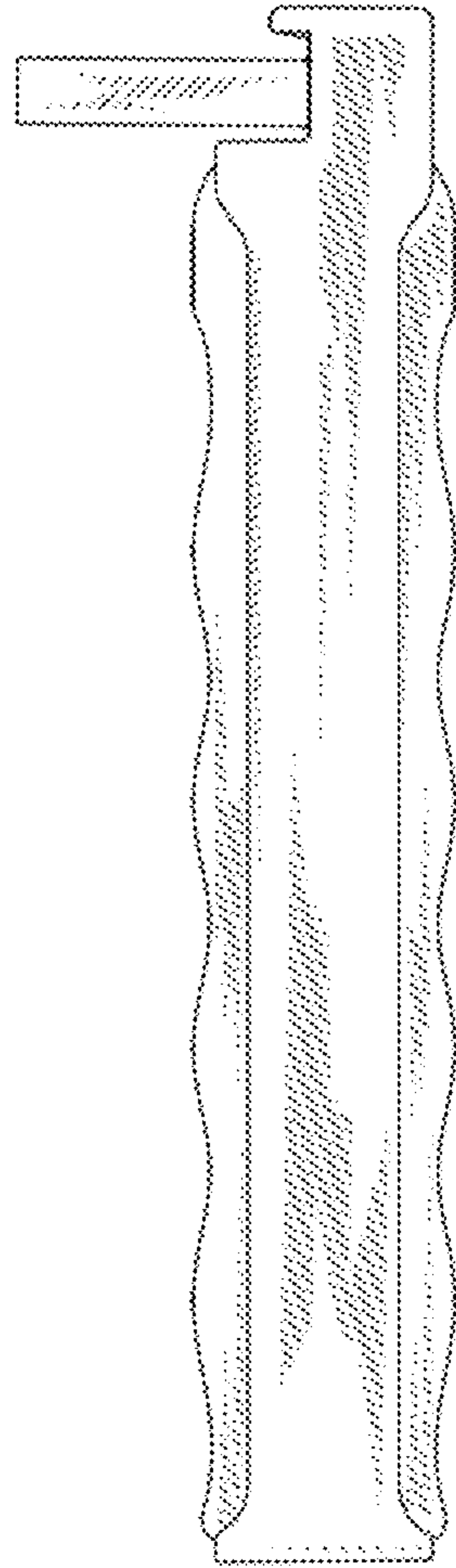


FIG. 3

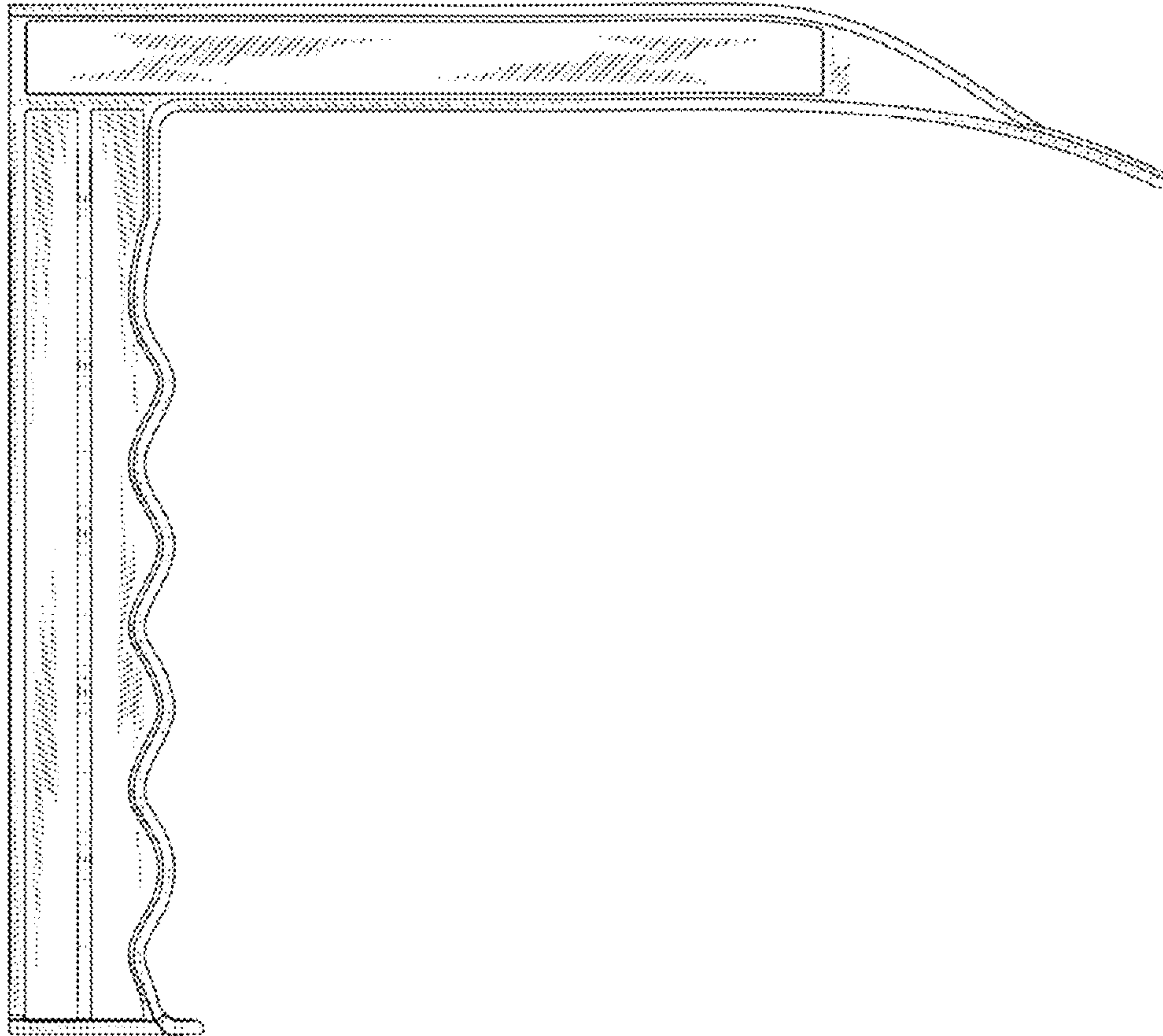


FIG. 4

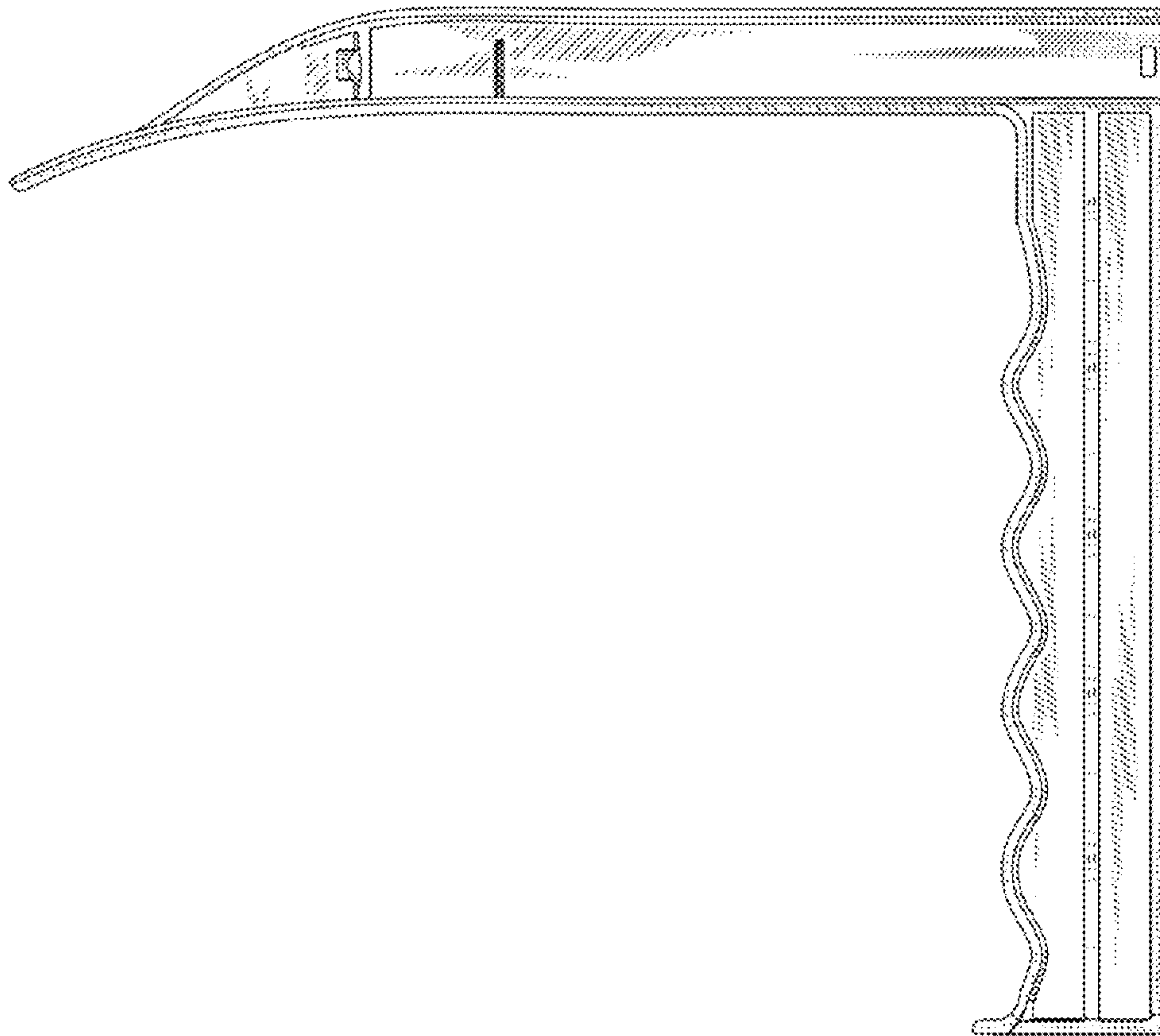


FIG. 5

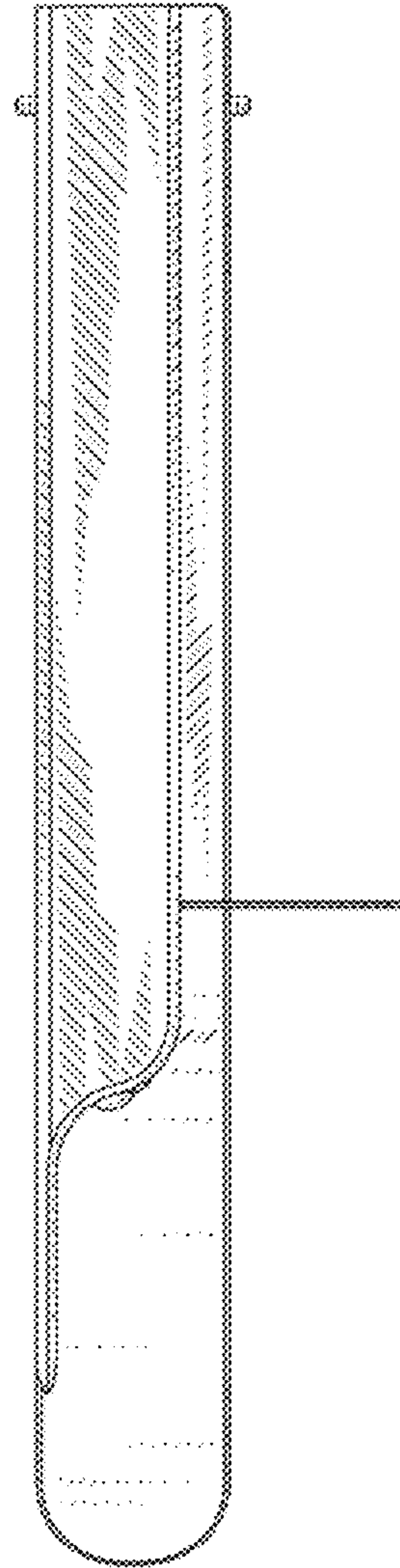


FIG. 6

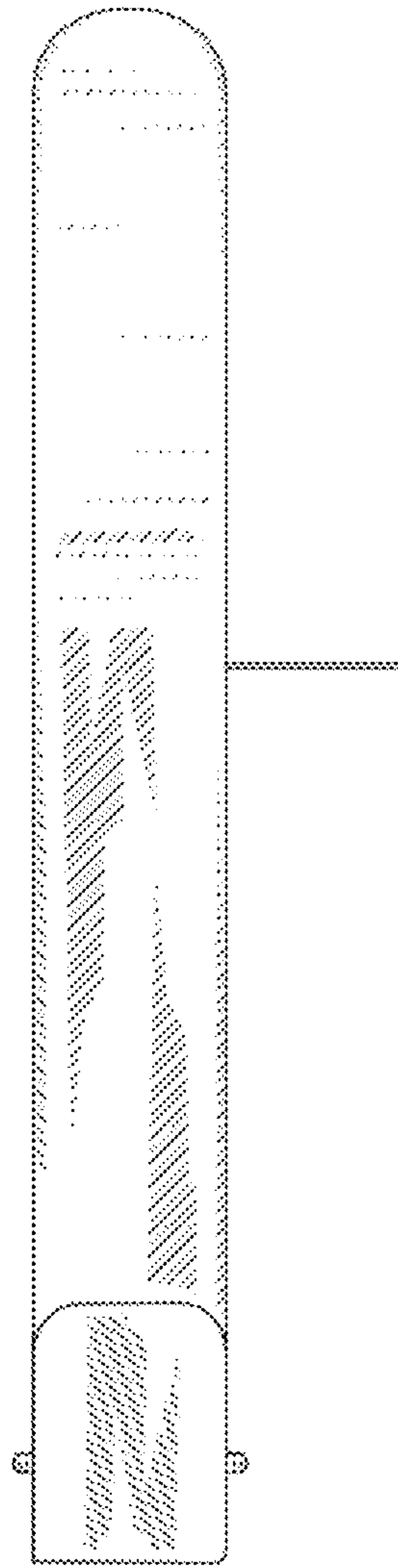


FIG. 7

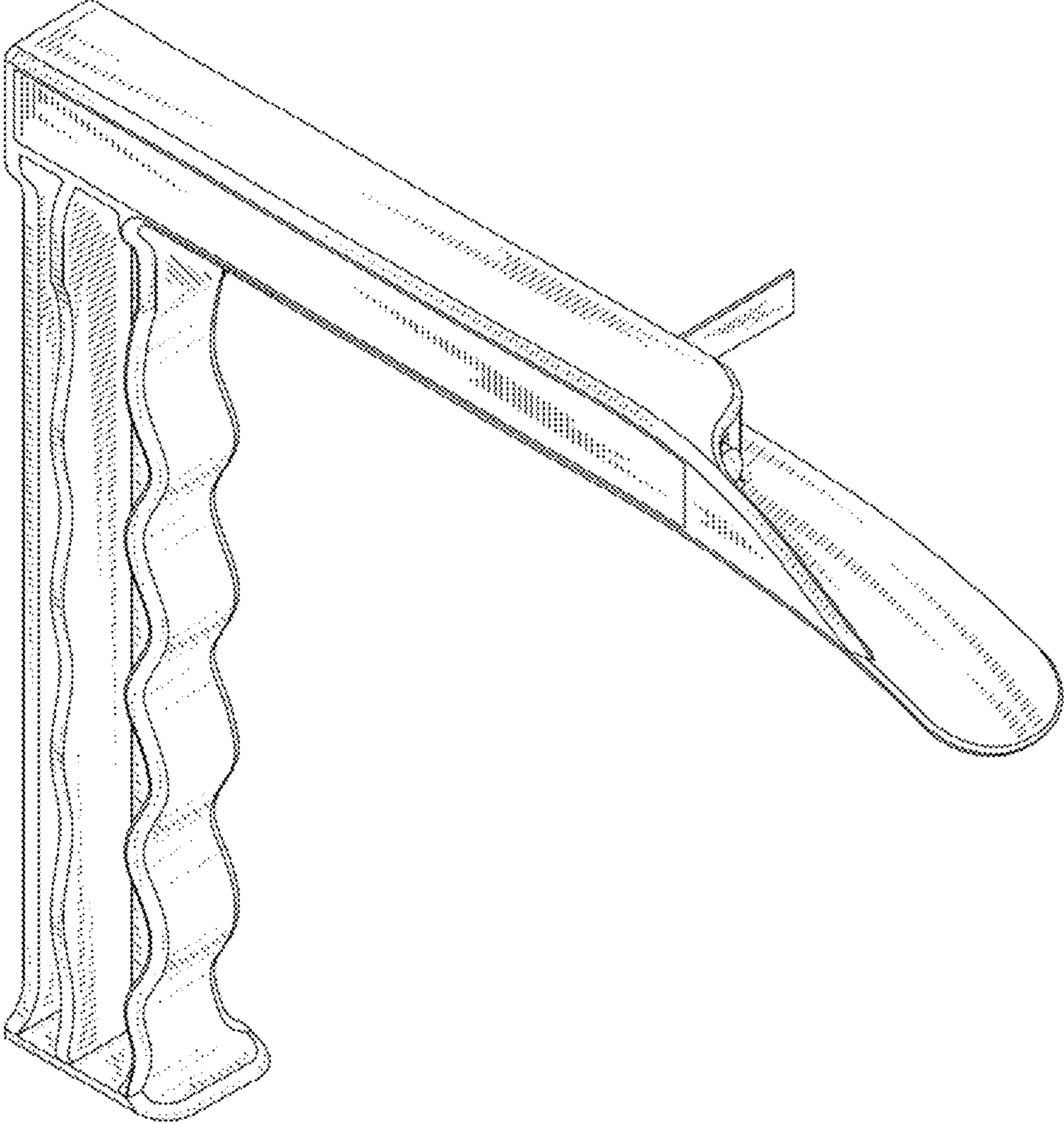


FIG. 8

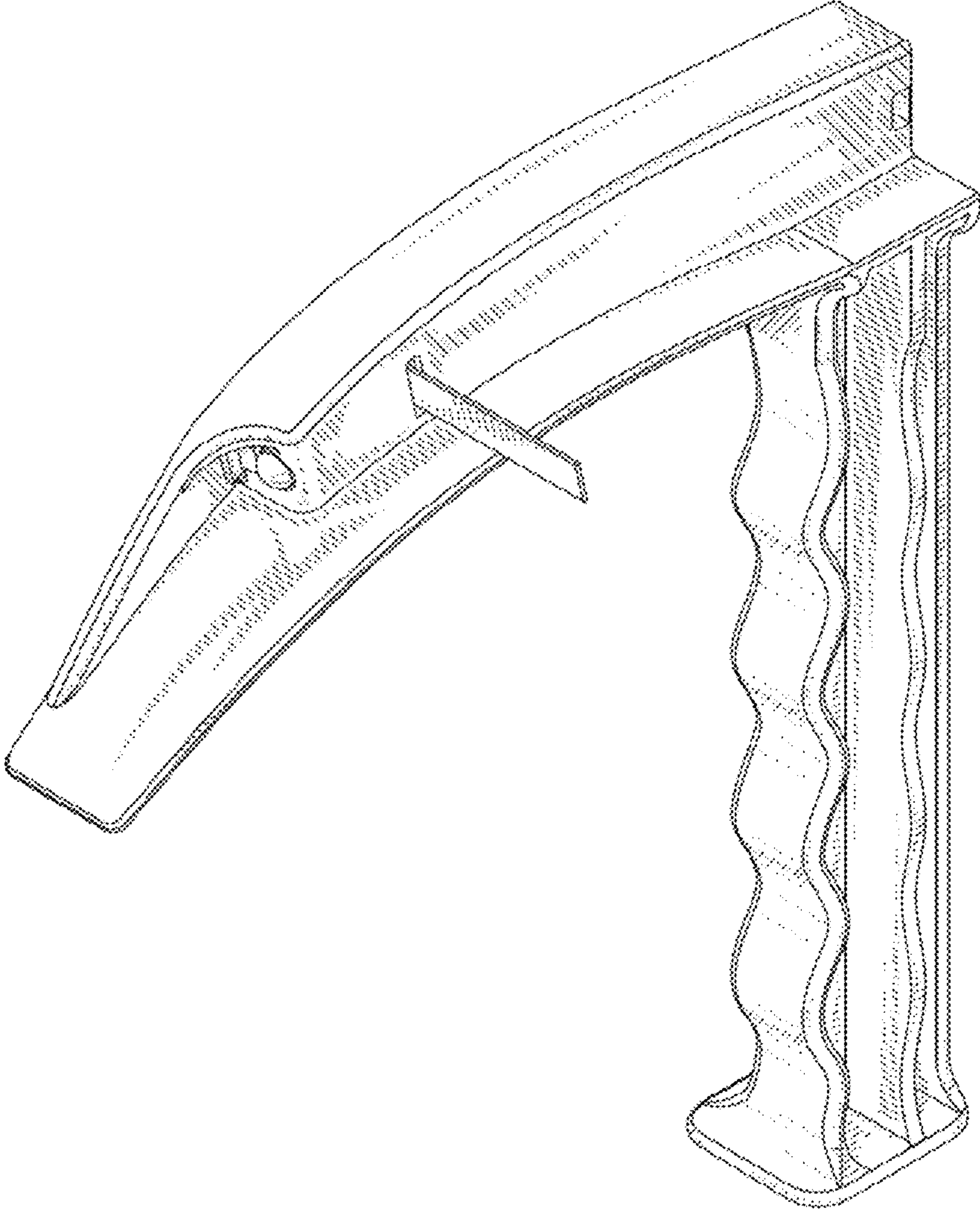


FIG. 9

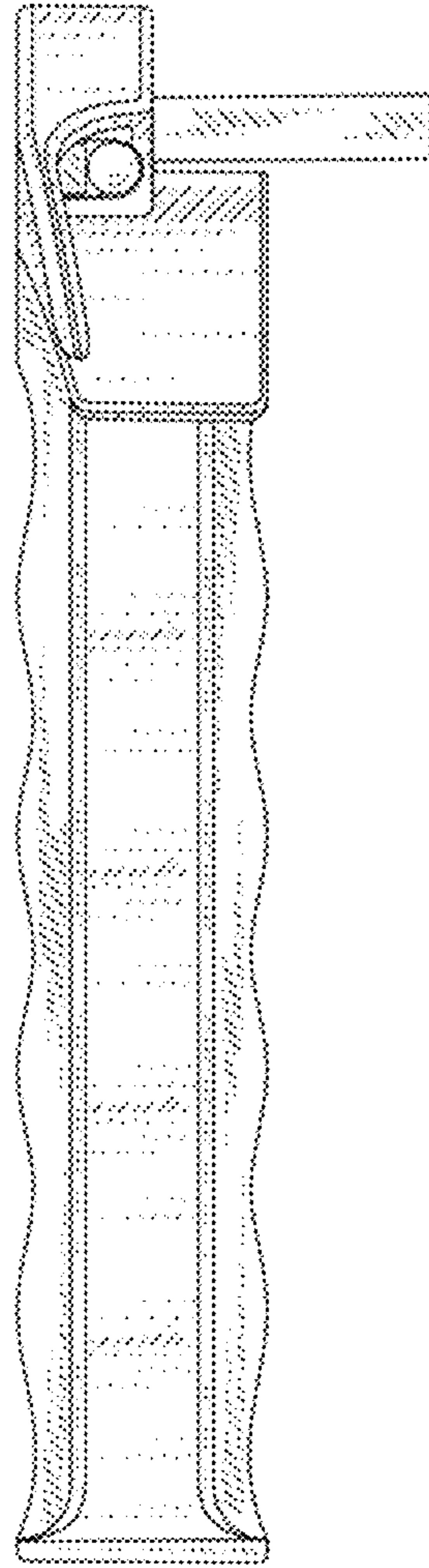


FIG. 10

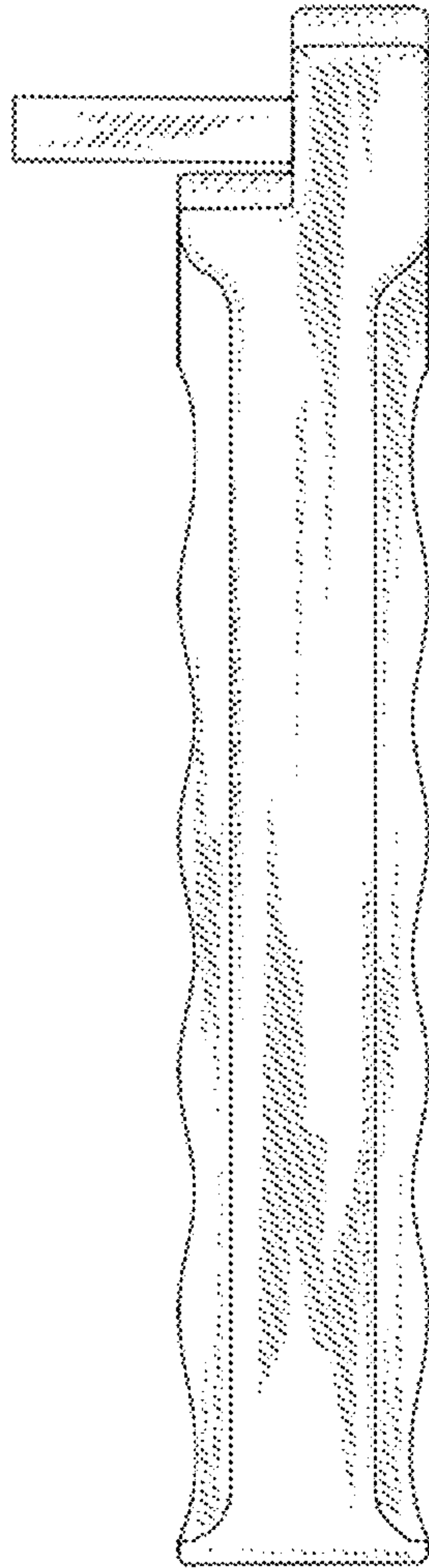


FIG. 11

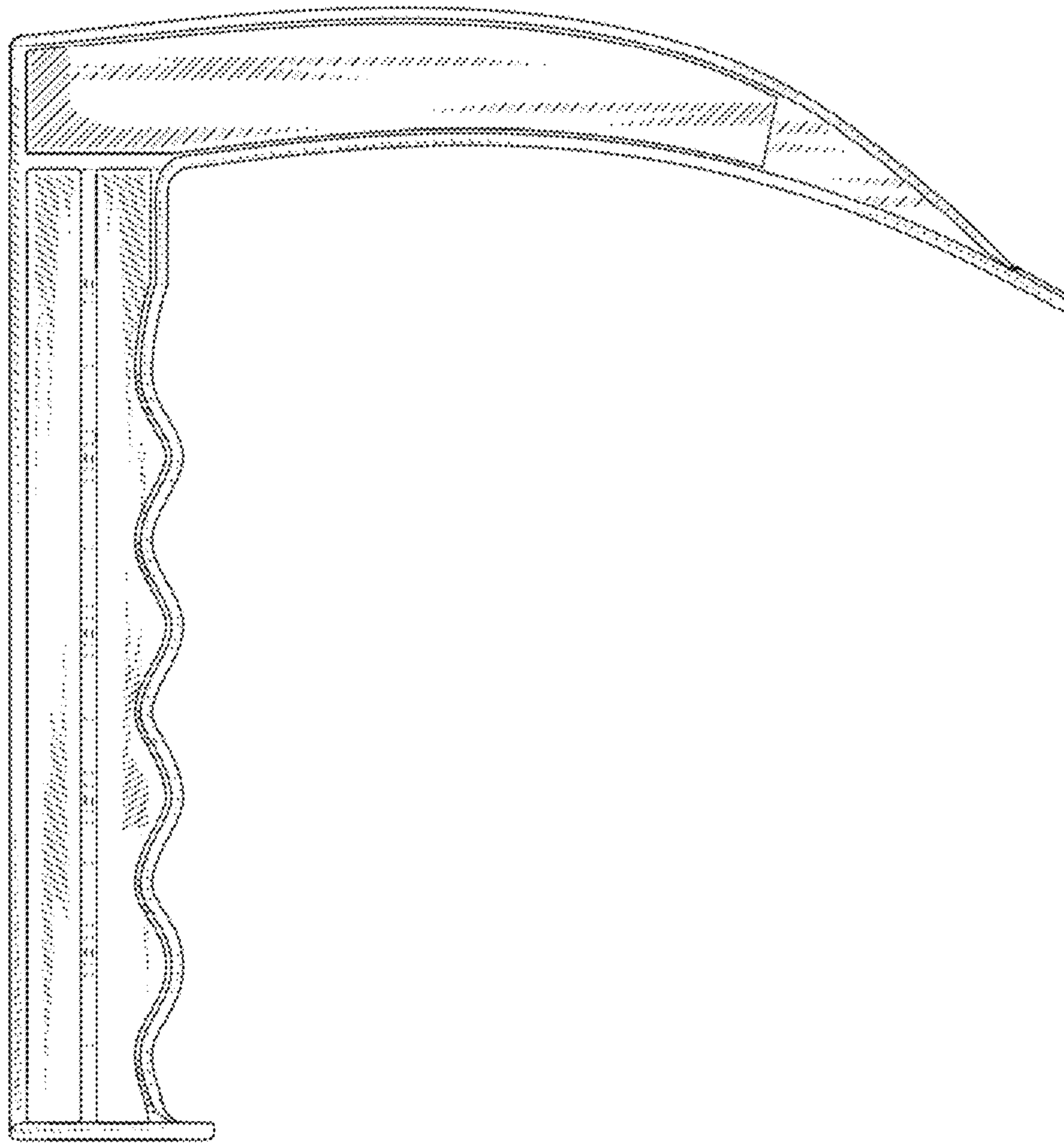


FIG. 12

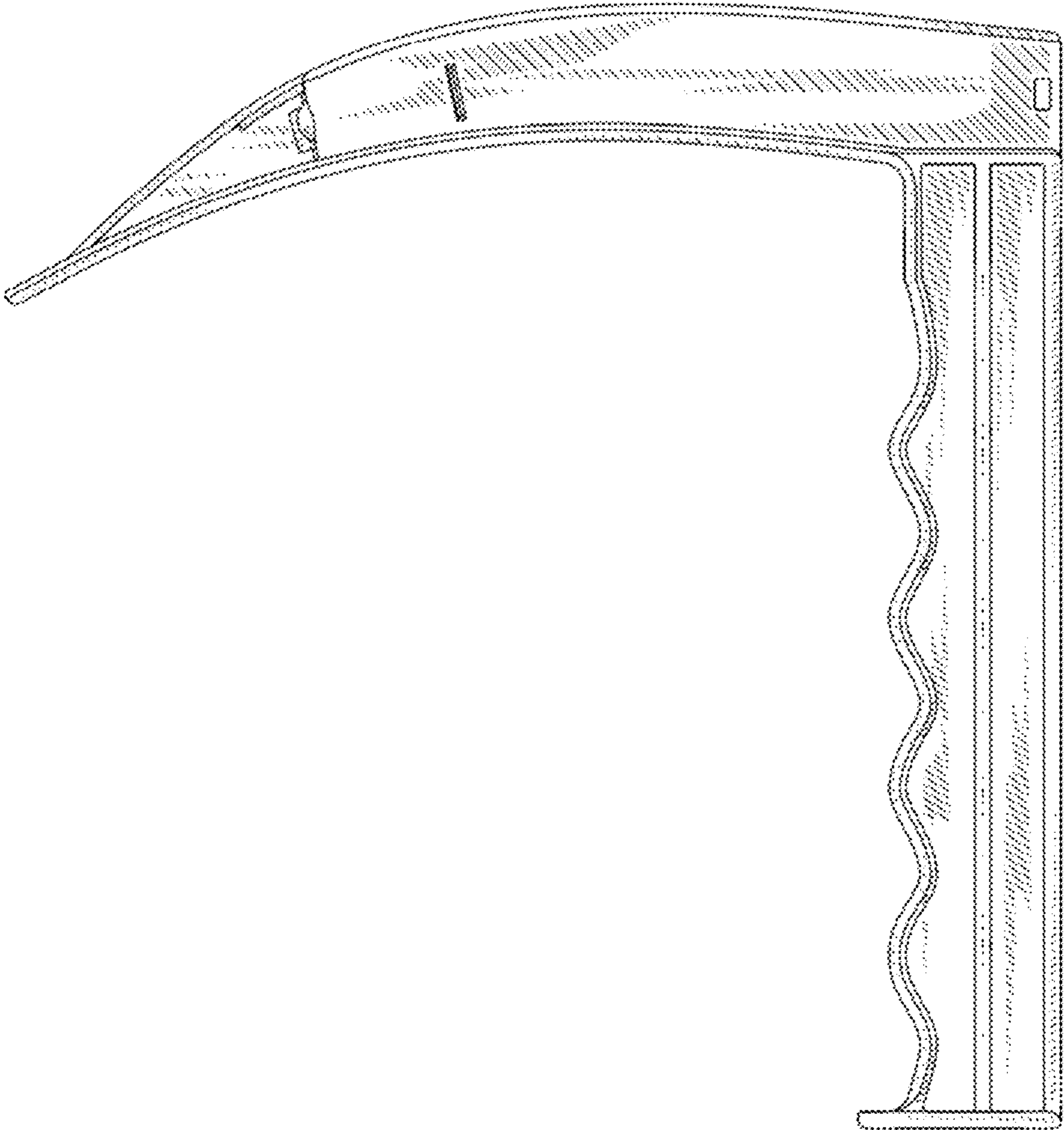


FIG. 13

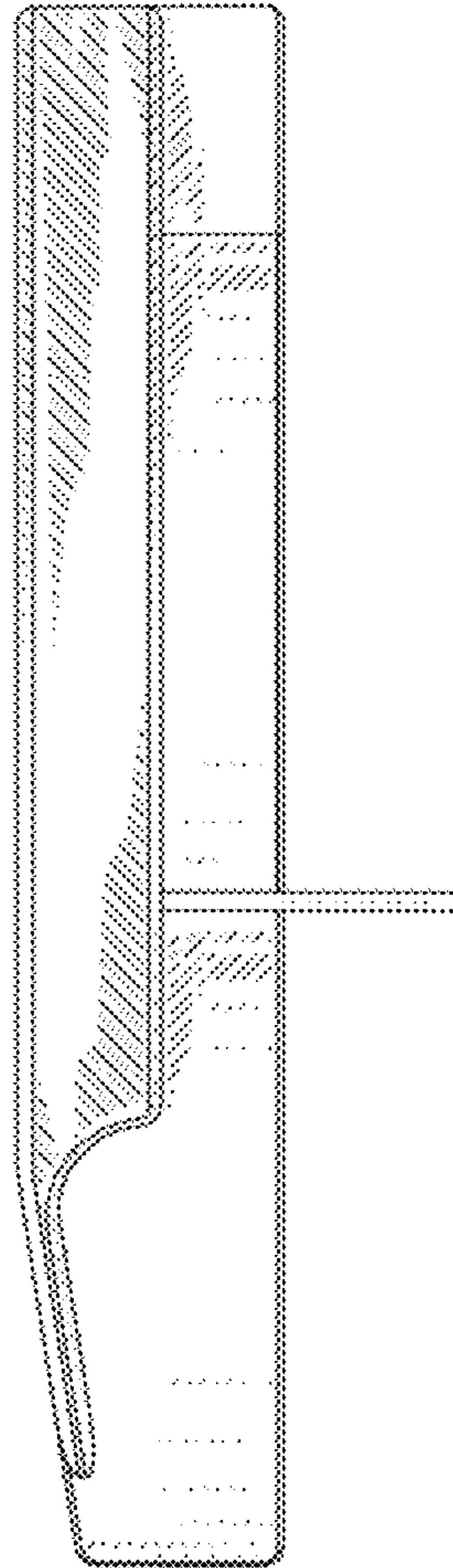


FIG. 14

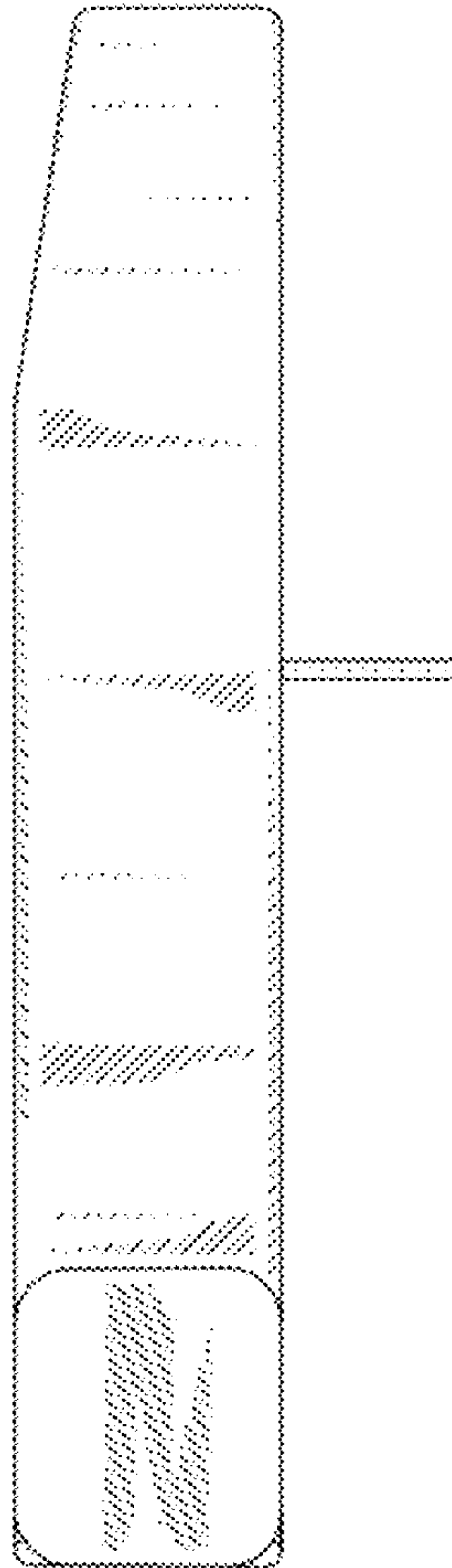


FIG. 15

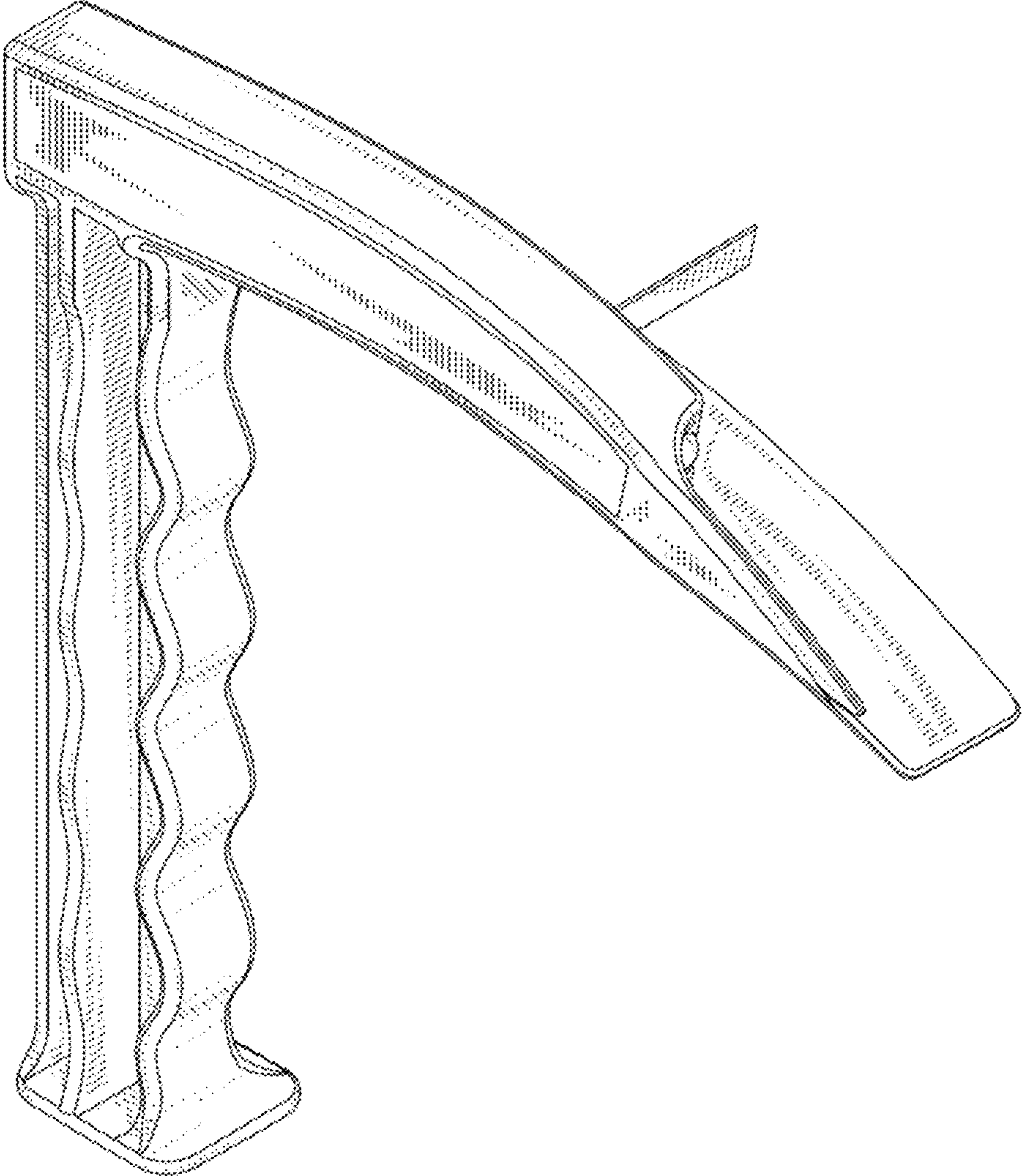


FIG. 16

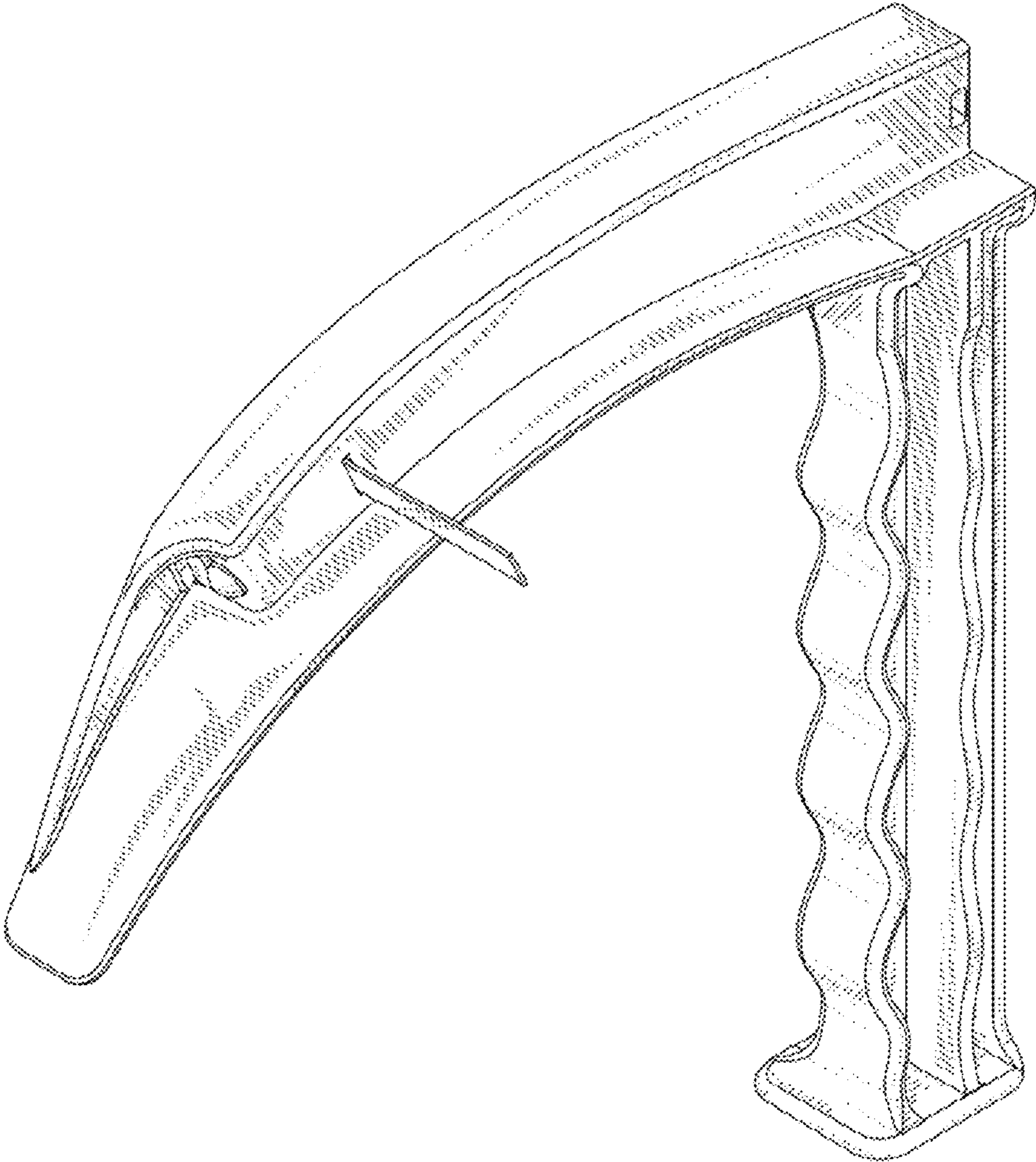


FIG. 17

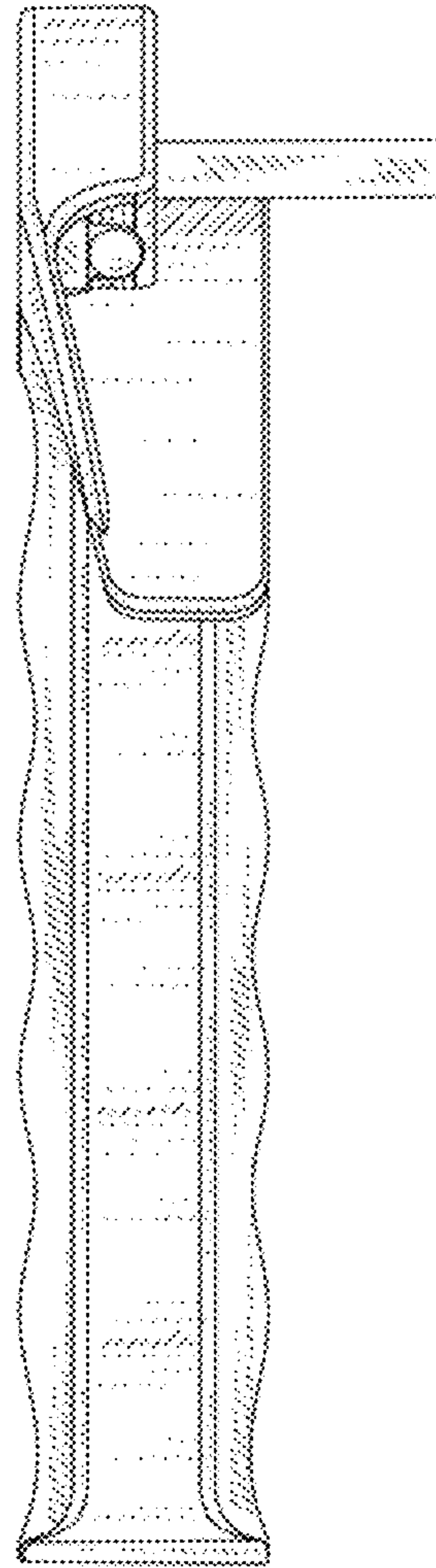


FIG. 18

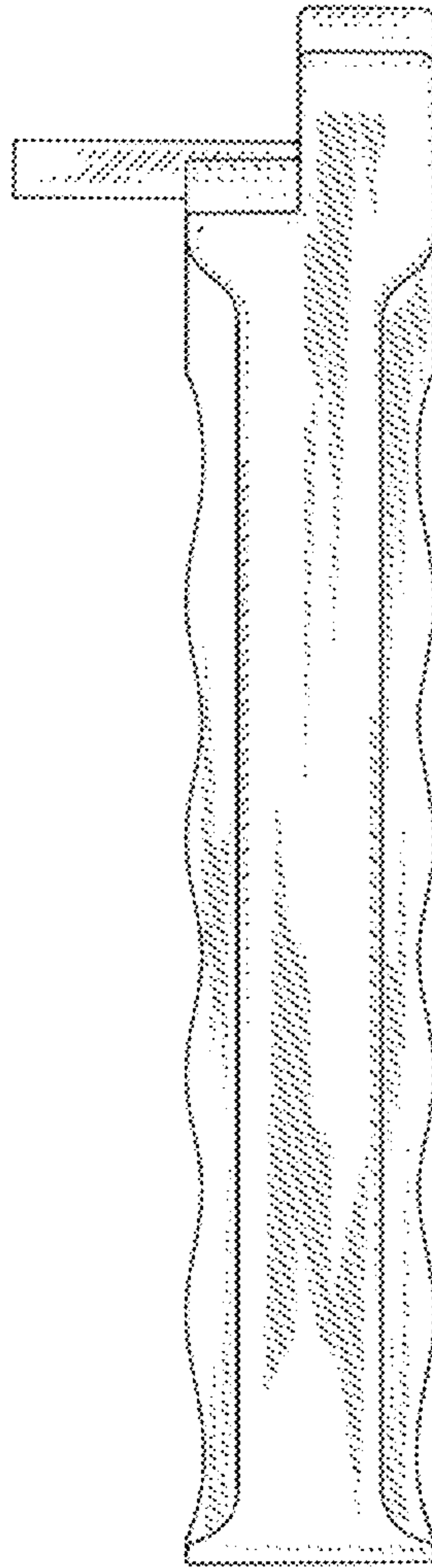


FIG. 19

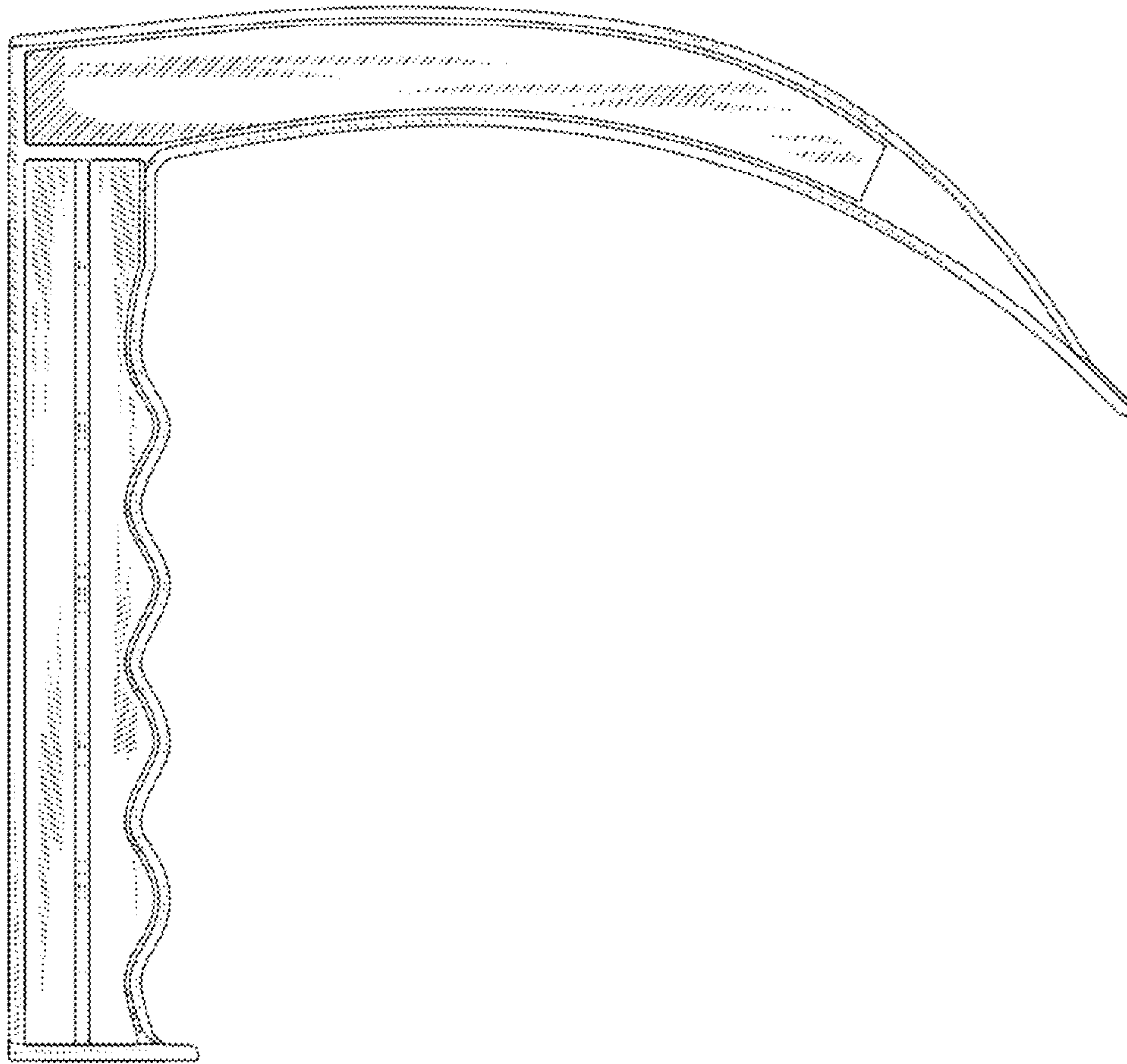


FIG. 20

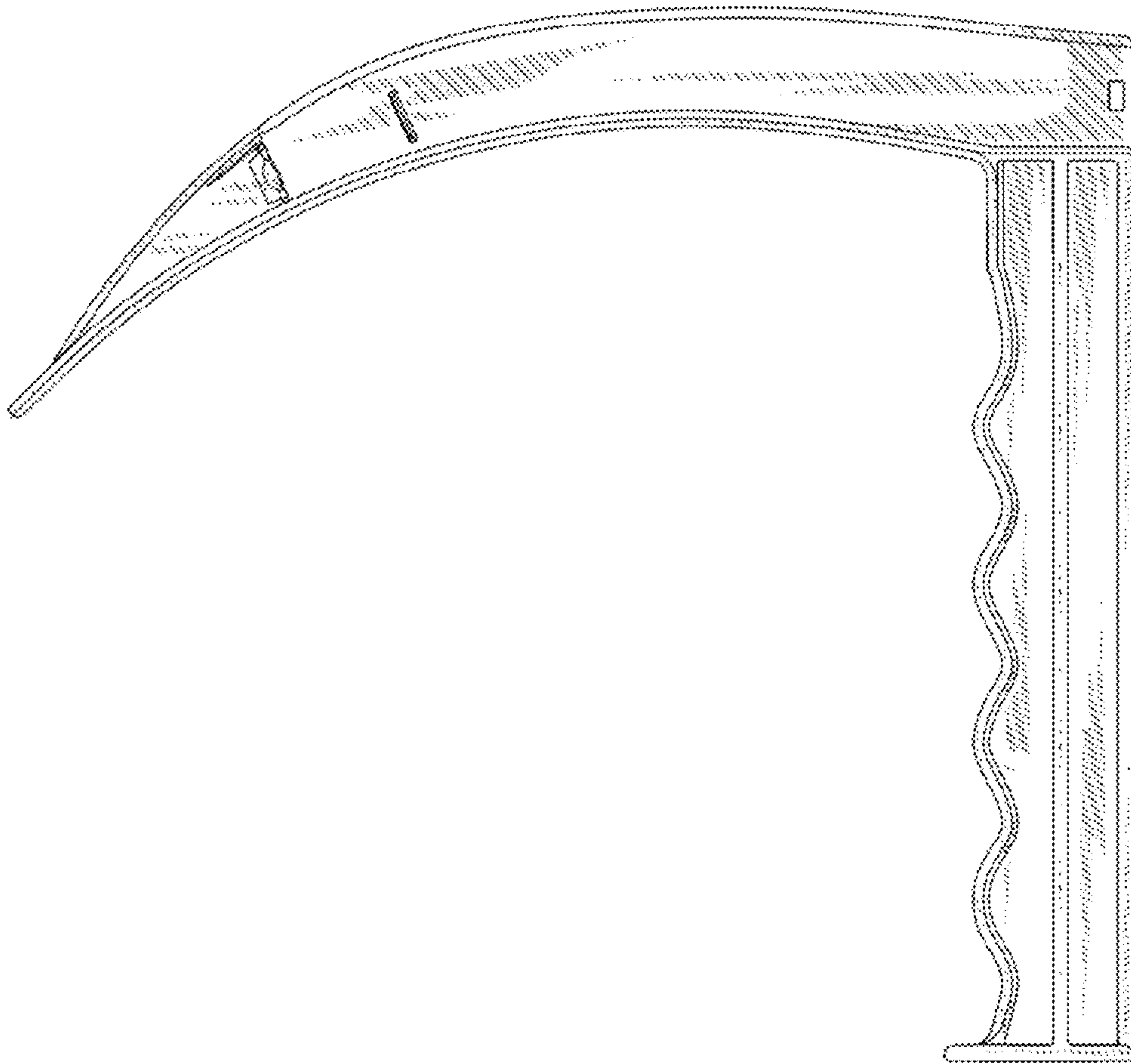


FIG. 21

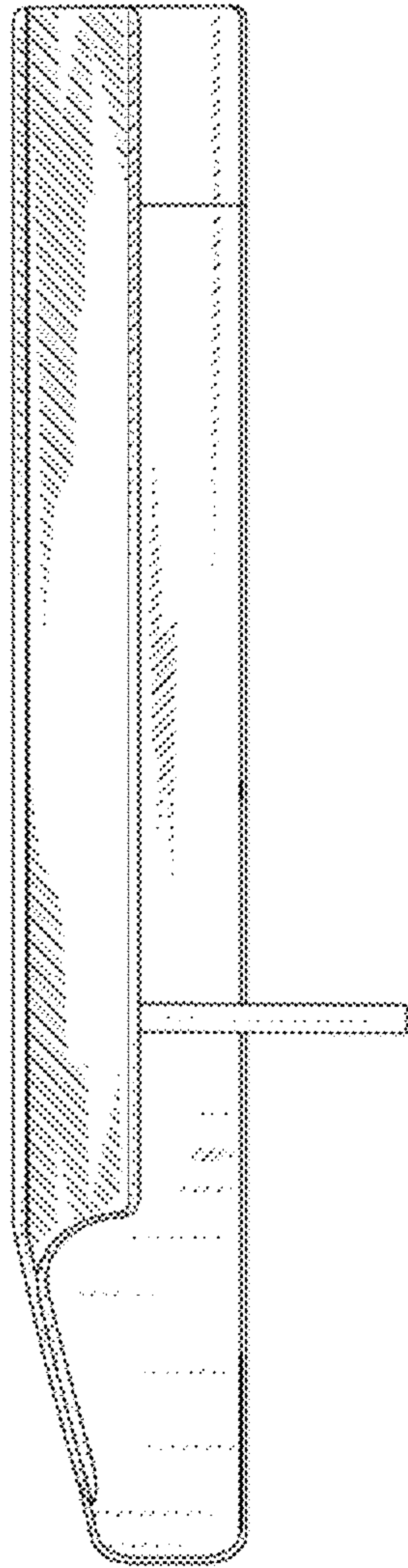


FIG. 22

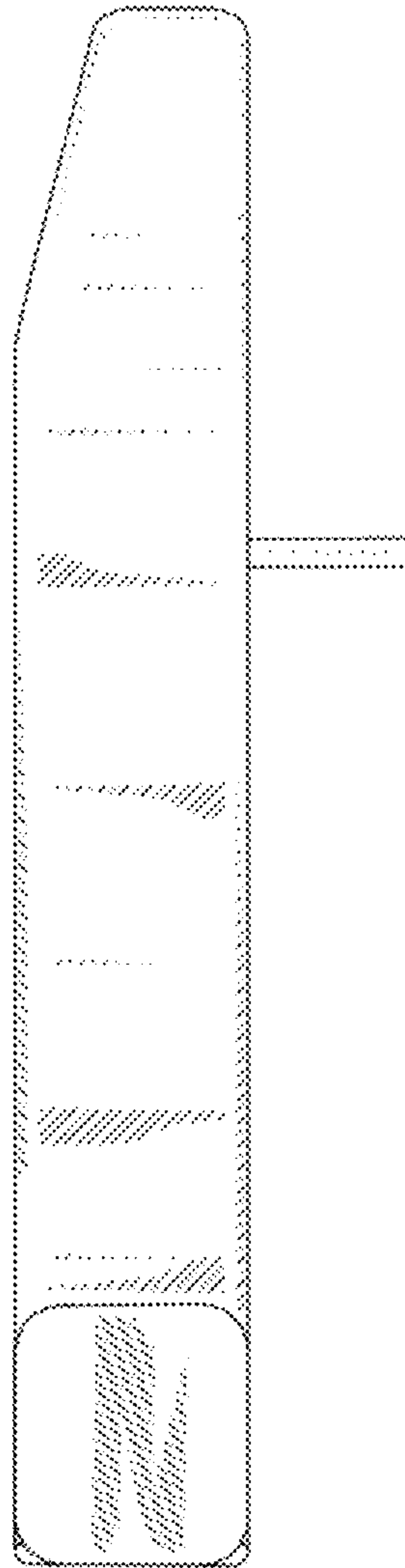


FIG. 23

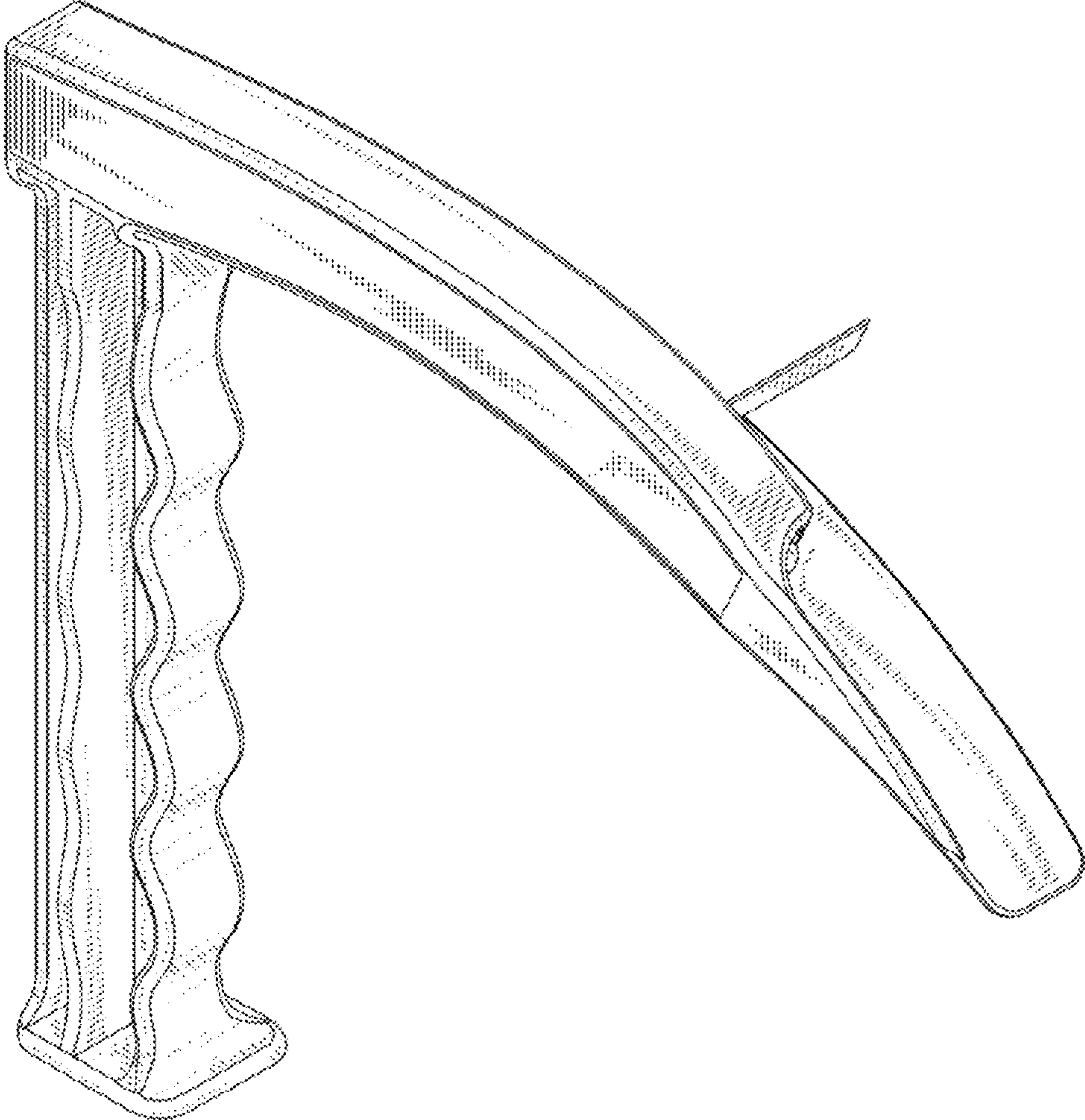


FIG. 24