



US00D745664S

(12) **United States Design Patent**
Pocock et al.

(10) **Patent No.:** **US D745,664 S**
(45) **Date of Patent:** **** Dec. 15, 2015**

(54) **INJECTOR DEVICE FOR A SYRINGE**

FOREIGN PATENT DOCUMENTS

(71) Applicant: **TEVA PHARMACEUTICAL INDUSTRIES LIMITED**, Petach Tikva (IL)

DE 10 2004 060 146 A1 8/2005
DE 10 2005 007 614 A1 8/2006

(Continued)

(72) Inventors: **Andrew Gordon Pocock**, Herts (GB);
John Edward Burke, Cambridge (GB)

OTHER PUBLICATIONS

European Examination Report, dated Aug. 6, 2013, corresponding to European Patent Application No. 13 158 407.0-1662.

(Continued)

(73) Assignee: **TEVA PHARMACEUTICAL INDUSTRIES, LTD.** (IL)

(**) Term: **14 Years**

Primary Examiner — Wan Laymon

(74) *Attorney, Agent, or Firm* — RatnerPrestia

(21) Appl. No.: **29/473,644**

(22) Filed: **Nov. 25, 2013**

(51) **LOC (10) Cl.** **24-02**

(52) **U.S. Cl.**

USPC **D24/112**

(58) **Field of Classification Search**

USPC D24/112-114, 127, 130, 133; D8/83,
D8/107; 604/131, 187, 181, 184-185, 192,
604/197-198, 227, 232, 263
CPC A61M 5/2033; A61M 5/30; A61M 5/46;
A61M 5/1782; A61M 2005/3104; A61M
5/31595

See application file for complete search history.

(57) **CLAIM**

The ornamental design for an injector device for a syringe, as shown and described.

DESCRIPTION

FIG. 1 is a perspective view from the bottom and front sides of an injector device for a syringe.

FIG. 2 is a perspective view from the top and front sides thereof.

FIG. 3 is a rear elevation view thereof.

FIG. 4 is a left elevation view thereof.

FIG. 5 is a front elevation view thereof.

FIG. 6 is a right elevation view thereof.

FIG. 7 is a top elevation view thereof.

FIG. 8 is a bottom elevation view thereof.

FIG. 9 is a perspective view from the bottom and front sides of the injector device of FIG. 1 showing the cap exploded from the remainder of the device; and,

FIG. 10 is a perspective view from the top and front sides of the injector device of FIG. 1 showing the cap exploded from the remainder of the device.

The broken lines showing portions of an injector device for syringe are included for the purpose of illustrating environmental structure and form no part of the claimed design.

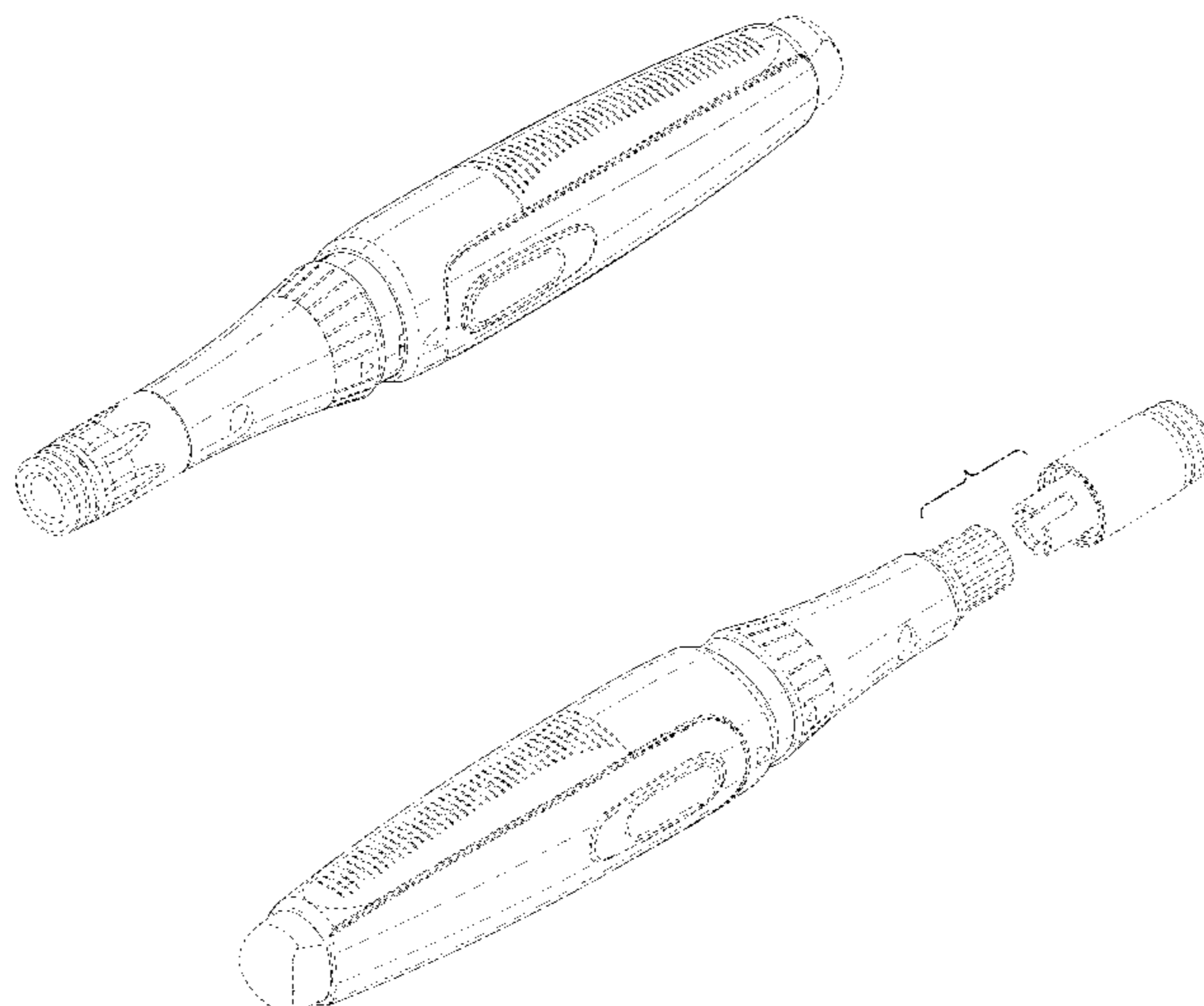
(56) **References Cited**

U.S. PATENT DOCUMENTS

5,137,516 A 8/1992 Rand et al.
5,342,296 A 8/1994 Persson et al.
5,358,489 A 10/1994 Wyrick
5,478,316 A 12/1995 Bitdinger et al.
5,599,309 A 2/1997 Marshall et al.
5,665,071 A 9/1997 Wyrick
5,695,472 A 12/1997 Wyrick
6,371,939 B2 4/2002 Bergens et al.
7,357,790 B2 4/2008 Hommann et al.
7,442,185 B2 10/2008 Amark et al.

(Continued)

1 Claim, 10 Drawing Sheets



(56)

References Cited

FOREIGN PATENT DOCUMENTS

U.S. PATENT DOCUMENTS

7,473,241 B2 1/2009 Hjertman et al.
 8,048,035 B2 11/2011 Mesa et al.
 D677,785 S * 3/2013 Stones et al. D24/113
 8,591,463 B1 * 11/2013 Cowe 604/197
 8,771,237 B2 * 7/2014 Markussen 604/187
 8,992,477 B2 * 3/2015 Raday et al. 604/187
 D729,930 S * 5/2015 Geert-Jensen et al. D24/112
 9,028,451 B2 * 5/2015 Jennings 604/192
 2006/0189938 A1 8/2006 Hommann et al.
 2007/0129686 A1 6/2007 Daily et al.
 2007/0135767 A1 6/2007 Gillespie et al.
 2010/0016795 A1 1/2010 McLoughlin
 2010/0077588 A1 4/2010 Imamura et al.
 2010/0094217 A1 4/2010 Wyrick
 2010/0318037 A1 12/2010 Young et al.
 2011/0077599 A1 3/2011 Wozencroft
 2011/0125100 A1 5/2011 Schwirtz et al.
 2011/0130723 A1 6/2011 Hirschel et al.
 2011/0137247 A1 6/2011 Mesa et al.
 2011/0196339 A1 8/2011 Hirschel et al.
 2011/0202011 A1 8/2011 Wozencroft
 2011/0213299 A1 9/2011 Cronenberg
 2011/0213315 A1 9/2011 Sweeney et al.
 2011/0218500 A1 9/2011 Grunhut et al.
 2011/0238014 A1 9/2011 Maritan
 2012/0191047 A1 7/2012 Raday et al.
 2013/0079718 A1 3/2013 Shang et al.
 2014/0171879 A1 * 6/2014 Butler et al. 604/187
 2014/0257191 A1 * 9/2014 Cowe 604/189

EP 1 349 590 B1 5/2006
 EP 2 253 348 A1 11/2010
 EP 2 083 887 B1 2/2011
 EP 2 021 055 B1 3/2011
 EP 2 173 413 B1 3/2011
 EP 1 932 558 B1 6/2011
 EP 2 438 340 4/2012
 EP 2 438 945 A1 4/2012
 EP 1 885 411 B1 10/2012
 GB 2477487 8/2011
 WO WO 2005/025636 A2 3/2005
 WO WO 2007/100899 A2 9/2007
 WO WO 2009/019436 A1 2/2009
 WO WO 2009/019437 A1 2/2009
 WO WO 2009/141219 A1 11/2009
 WO WO 2010/007395 A1 1/2010
 WO WO 2010/033795 A2 3/2010
 WO WO 2010/085903 A1 8/2010
 WO WO 2010/108116 A1 9/2010
 WO WO 2010/122323 A2 10/2010
 WO WO 2010/136076 A1 12/2010
 WO WO 2012/117252 9/2012
 WO WO 2012/117255 9/2012

OTHER PUBLICATIONS

European Examination Report, dated Aug. 8, 2013, corresponding to European Patent Application No. 13 158 439.3-1662.
 European Search Report for Application No. 13158407.0 mailed Jul. 23, 2013.
 European Search Report for Application No. 13158439.3 mailed Jul. 25, 2013.

* cited by examiner

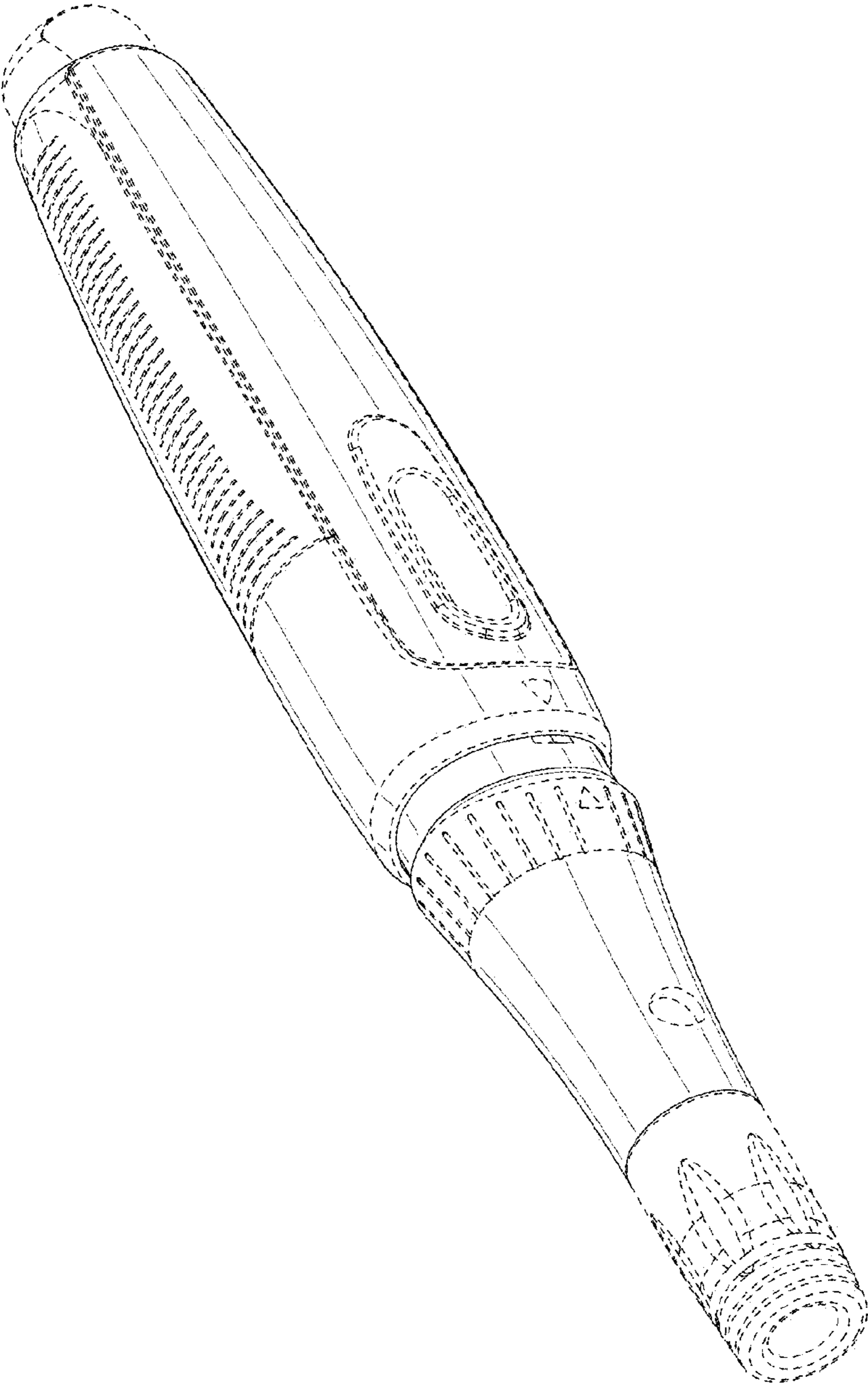


FIG. 1

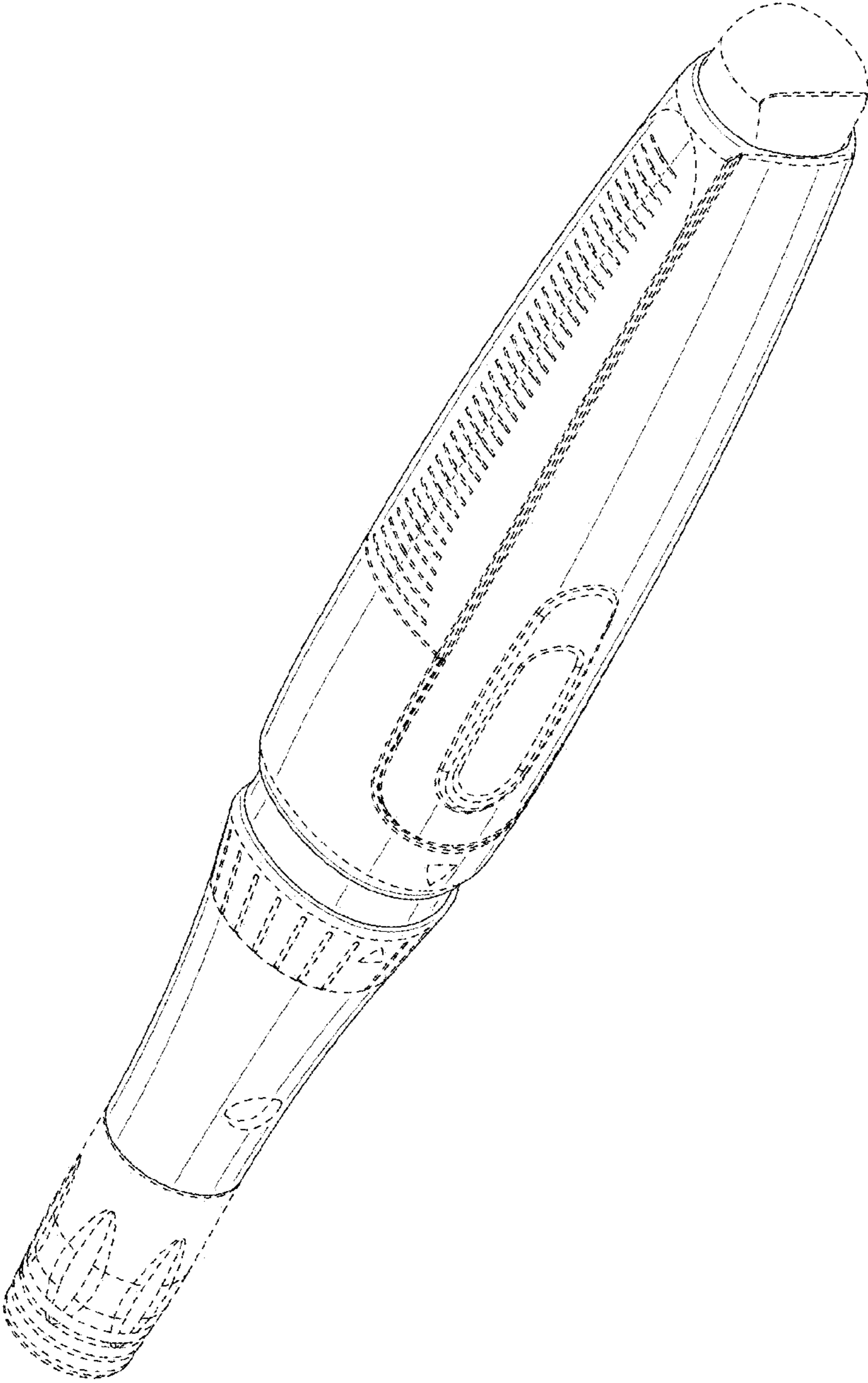


FIG. 2

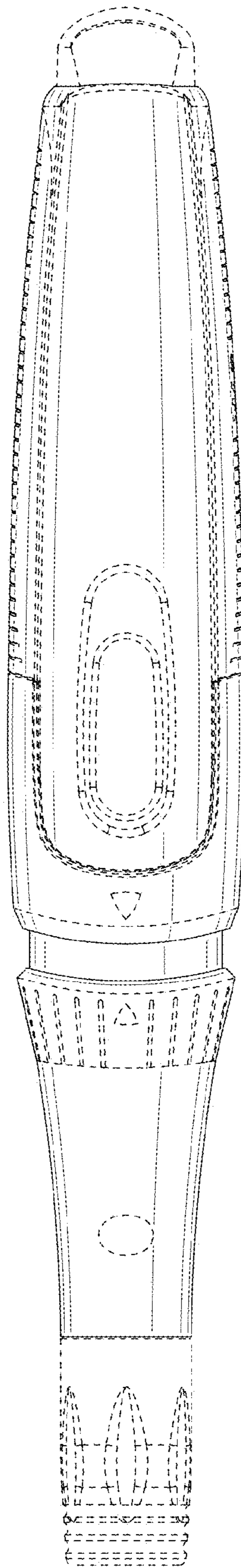


FIG. 3

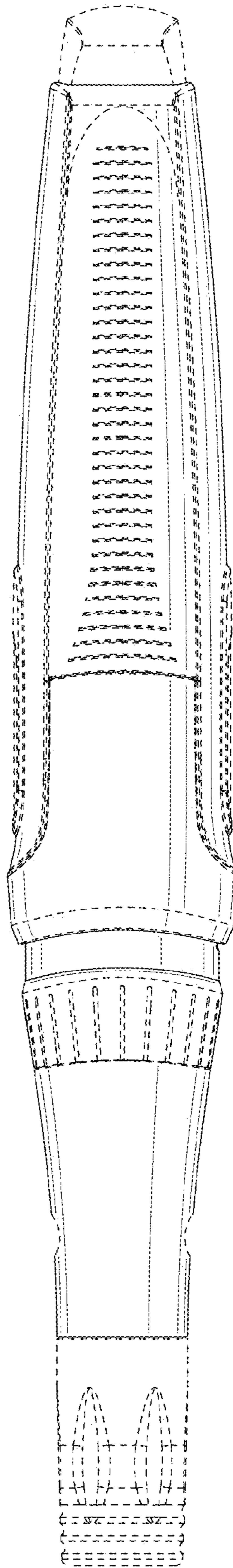


FIG. 4

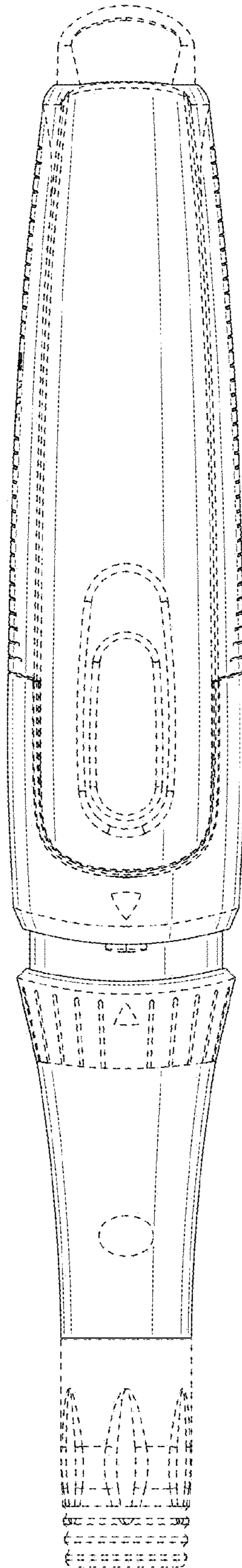


FIG. 5

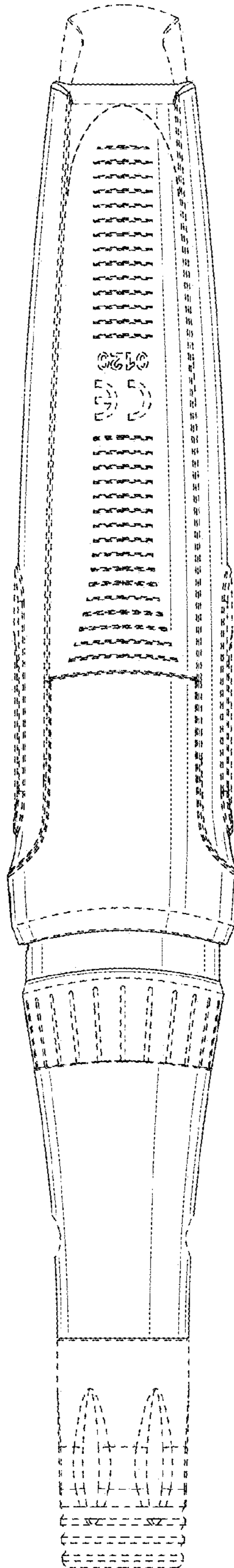


FIG. 6

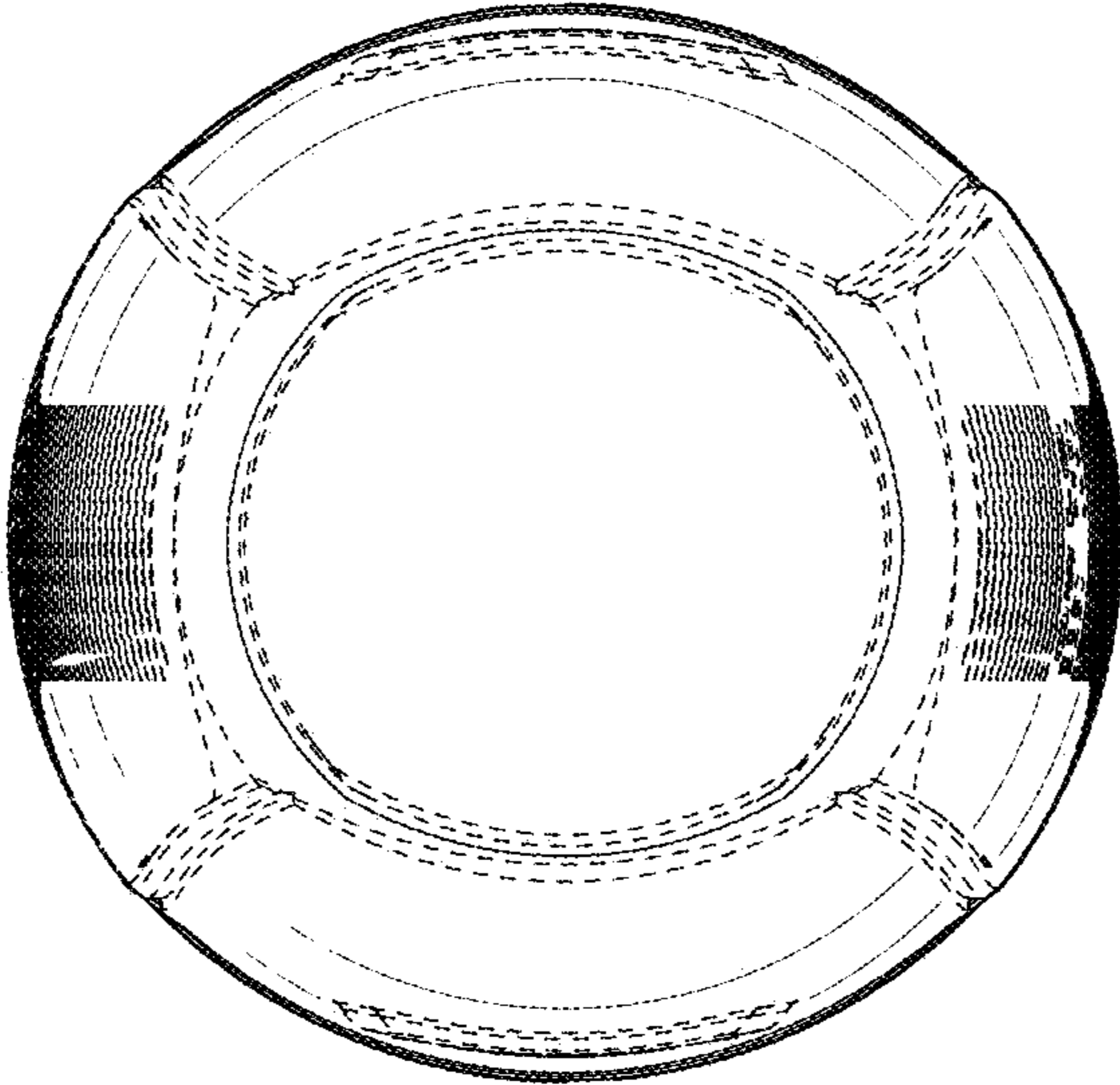


FIG. 7

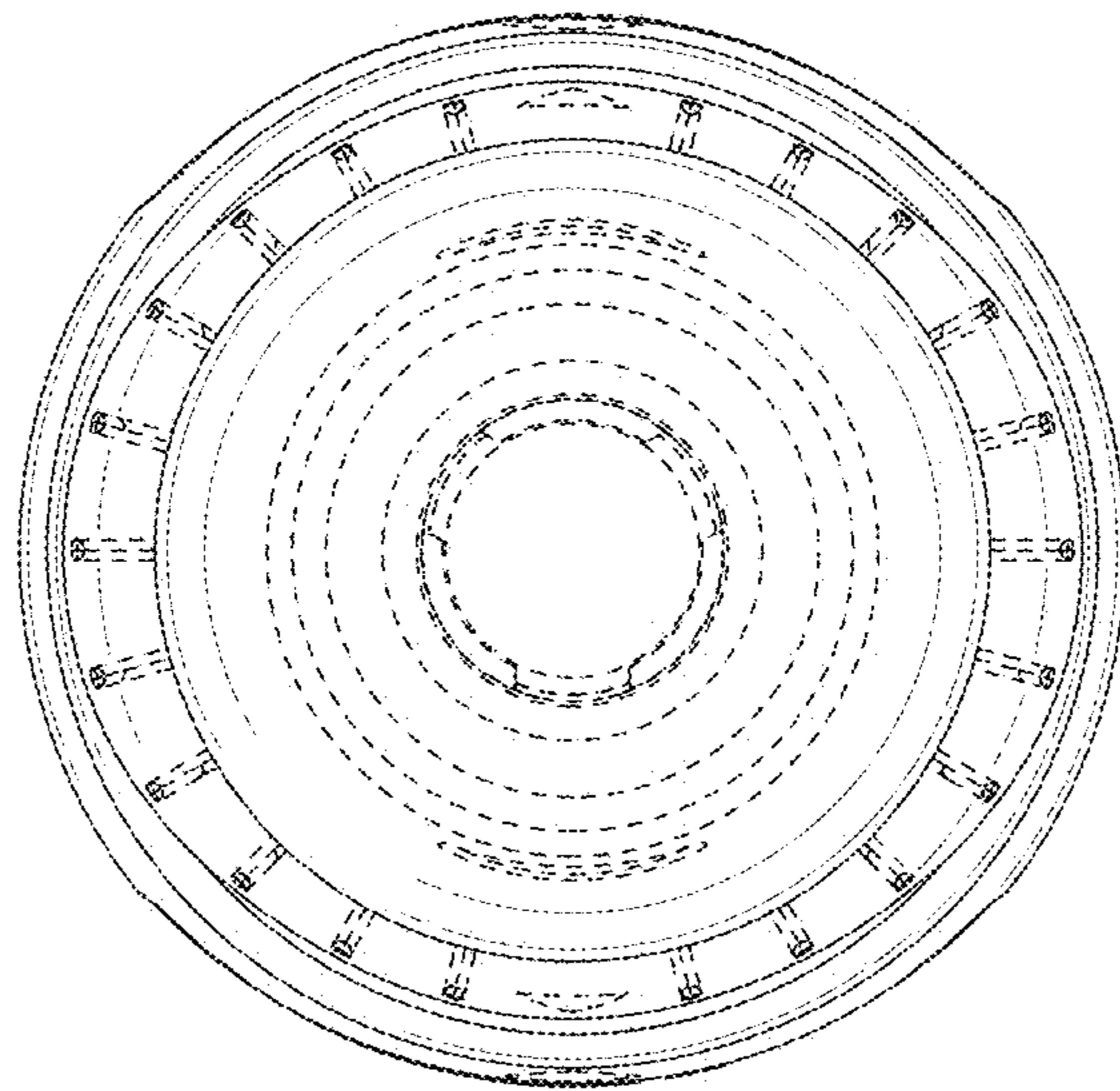


FIG. 8

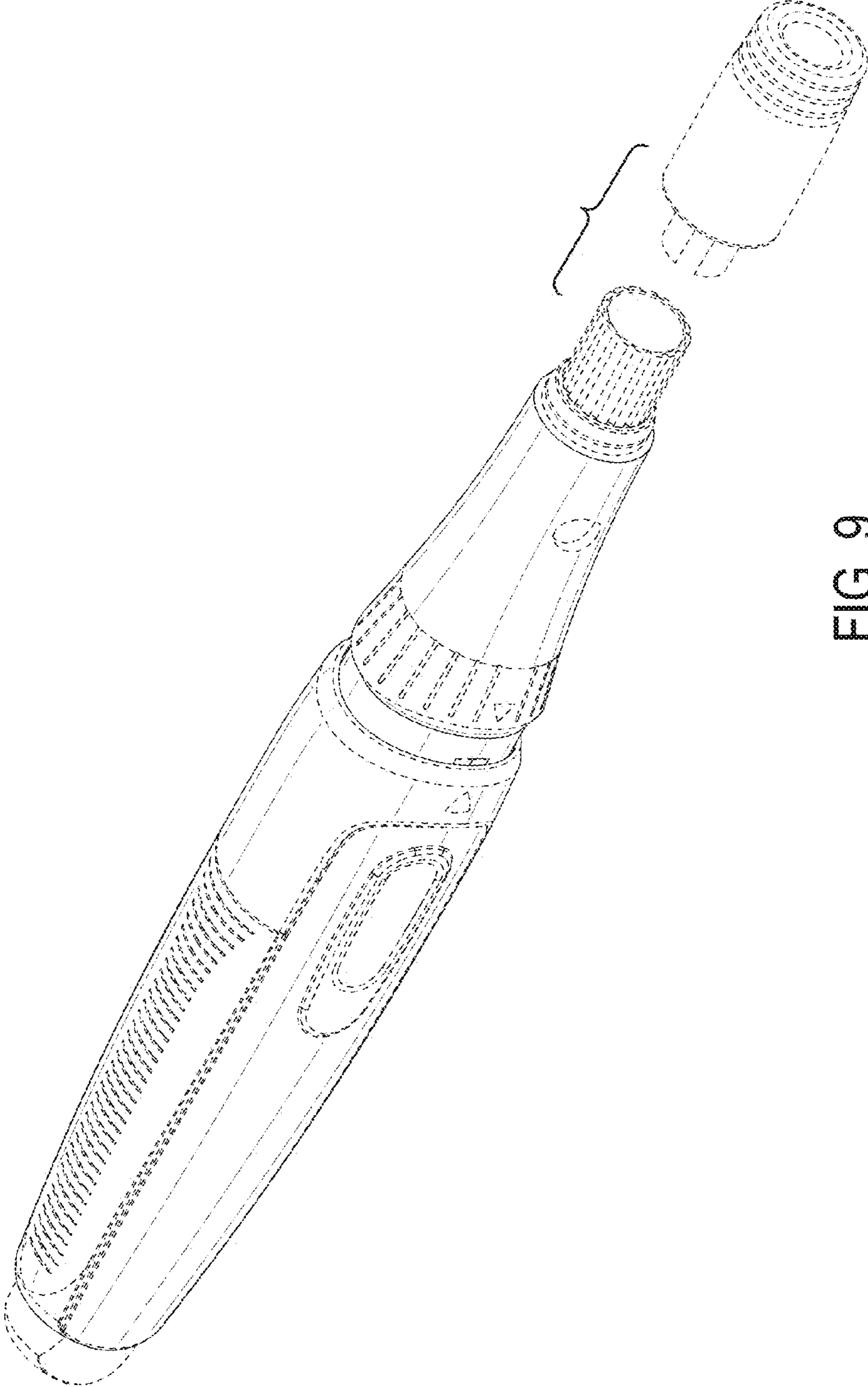


FIG. 9

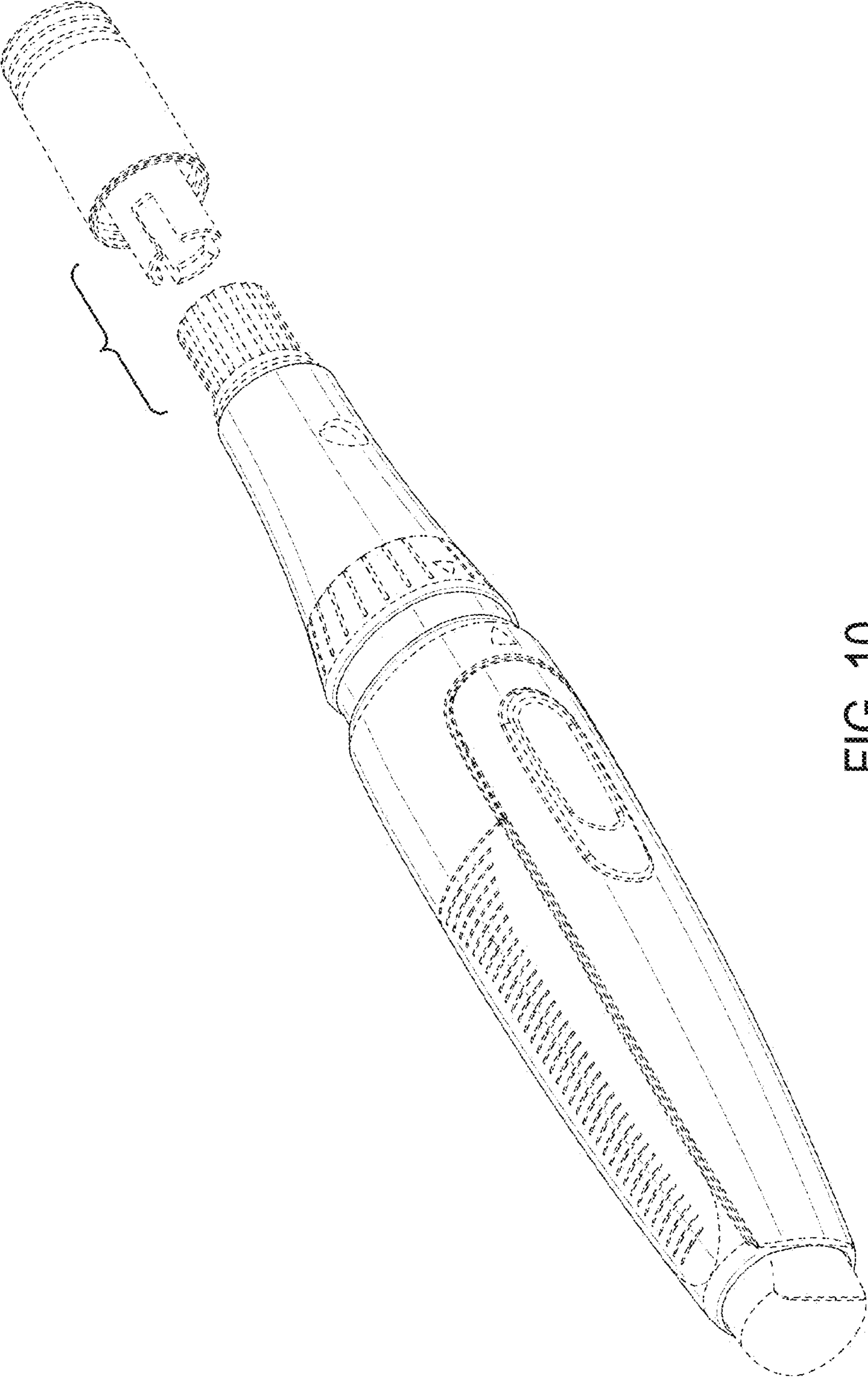


FIG. 10