



US00D745662S

(12) **United States Design Patent**
Chen

(10) **Patent No.:** **US D745,662 S**

(45) **Date of Patent:** **** Dec. 15, 2015**

(54) **BLOOD COLLECTION DEVICE**

(71) Applicant: **Theranos, Inc.**, Palo Alto, CA (US)

(72) Inventor: **Michael Chen**, Palo Alto, CA (US)

(73) Assignee: **Theranos, Inc.**, Palo Alto, CA (US)

(**) Term: **14 Years**

(21) Appl. No.: **29/466,436**

(22) Filed: **Sep. 8, 2013**

(51) **LOC (10) Cl.** **24-02**

(52) **U.S. Cl.**

USPC **D24/112**

(58) **Field of Classification Search**

USPC D24/112–114, 127, 130, 121, 108, 111,
D24/167, 169; 604/6.01, 6.02, 6.04, 6.05,
604/6.15, 131, 148, 264, 263, 198, 317,
604/319, 326; 600/578, 573, 576, 577

CPC A61B 5/15; A61B 5/00

See application file for complete search history.

(56) **References Cited**

U.S. PATENT DOCUMENTS

5,504,011	A *	4/1996	Gavin et al.	436/69
6,027,459	A *	2/2000	Shain et al.	600/573
7,976,778	B2 *	7/2011	Drucker et al.	422/68.1
8,204,568	B2 *	6/2012	Matsumoto et al.	600/347
8,308,748	B2 *	11/2012	Young et al.	606/182
8,366,729	B2 *	2/2013	Levaughn et al.	606/181
8,383,041	B2 *	2/2013	Ruhl et al.	422/66
8,647,269	B2 *	2/2014	Nelson et al.	600/301
8,702,624	B2 *	4/2014	Alden	600/583

2005/0149090	A1 *	7/2005	Morita et al.	606/181
2012/0143151	A1 *	6/2012	Low et al.	604/263
2013/0197332	A1 *	8/2013	Lucisano et al.	600/345
2014/0073990	A1 *	3/2014	Holmes et al.	600/575

OTHER PUBLICATIONS

Office Action dated Nov. 21, 2014 for U.S. Appl. No. 29/466,434.
Office Action dated Nov. 21, 2014 for U.S. Appl. No. 29/466,435.
Office Action dated Nov. 21, 2014 for U.S. Appl. No. 29/466,437.
Advisory Action dated Jun. 18, 2015 for U.S. Appl. No. 29/466,437.
Advisory Action dated Jul. 1, 2015 for U.S. Appl. No. 29/466,434.
Office Action dated Apr. 27, 2015 for U.S. Appl. No. 29/466,434.
Office Action dated Apr. 27, 2015 for U.S. Appl. No. 29/466,435.

* cited by examiner

Primary Examiner — David Muller

Assistant Examiner — Nathan Johnston

(57) **CLAIM**

The ornamental design for a blood collection device, as shown and described.

DESCRIPTION

FIG. 1 is a top perspective view of a blood collection device, showing our new design;

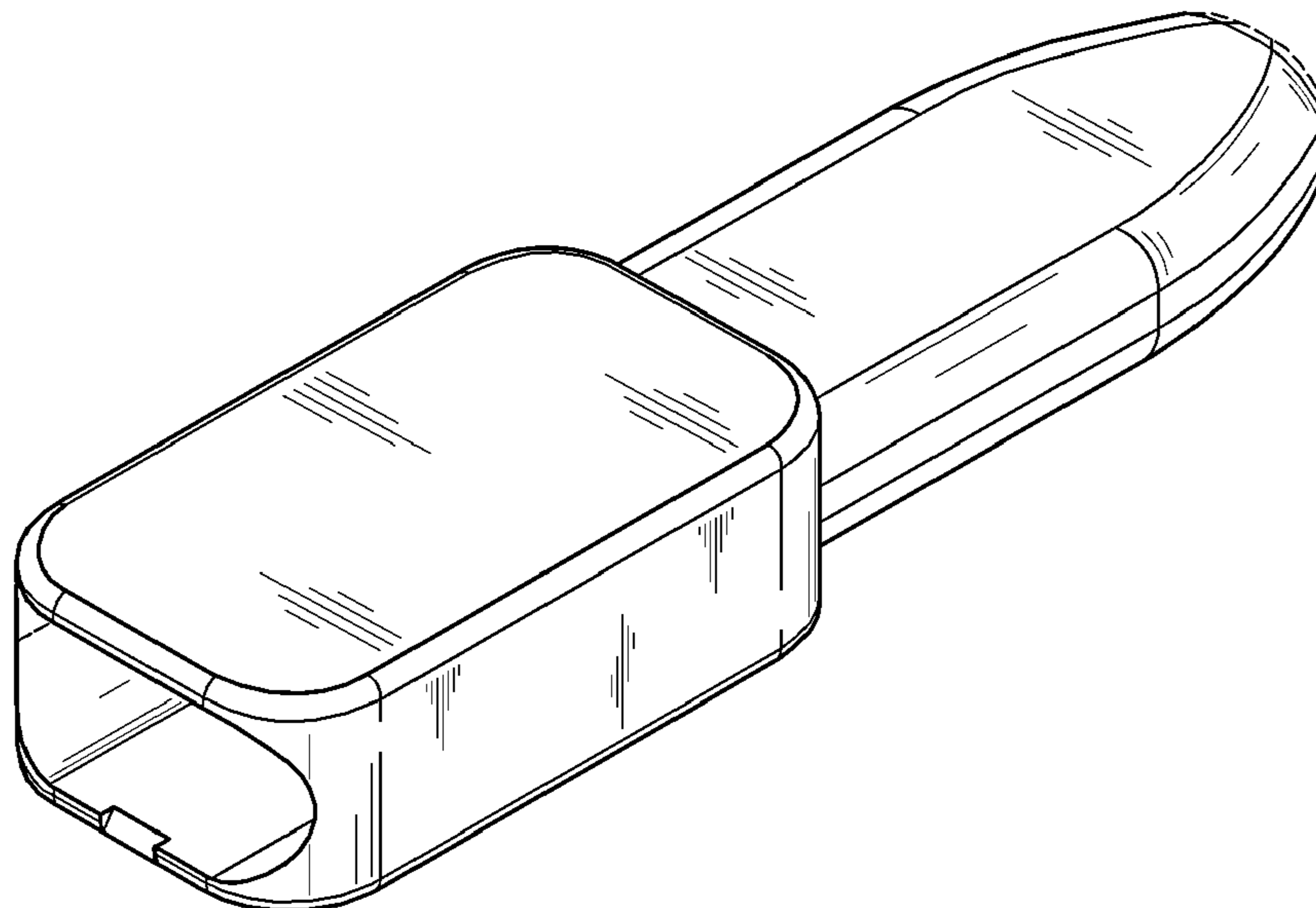
FIG. 2 is a bottom perspective view of a blood collection device;

FIG. 3 is a side view thereof; and,

FIG. 4 is a proximal end view thereof.

The broken lines are included for the purpose of illustrating unclaimed portions of the blood collection device and form no part of the claimed design.

1 Claim, 2 Drawing Sheets



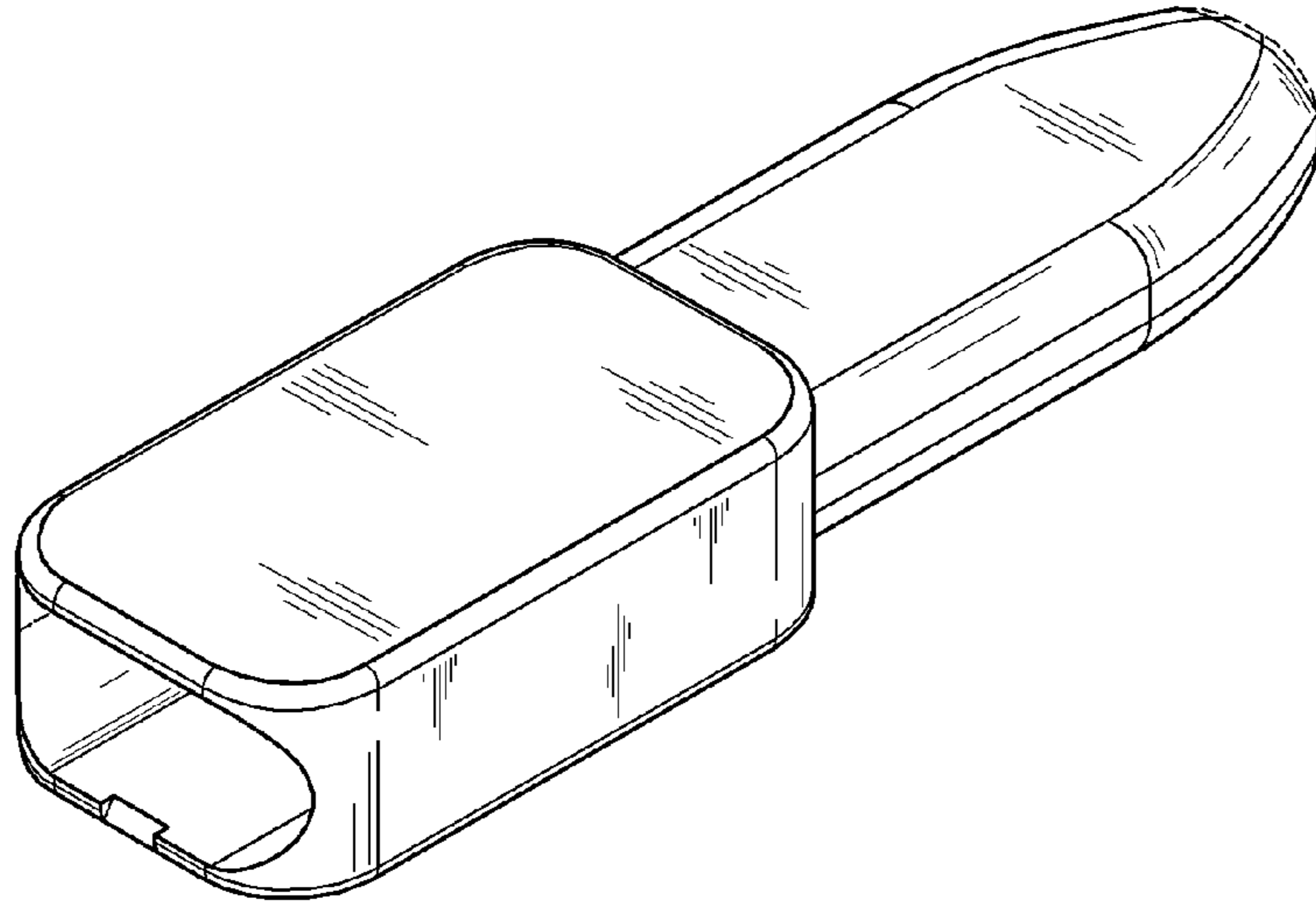


FIG. 1

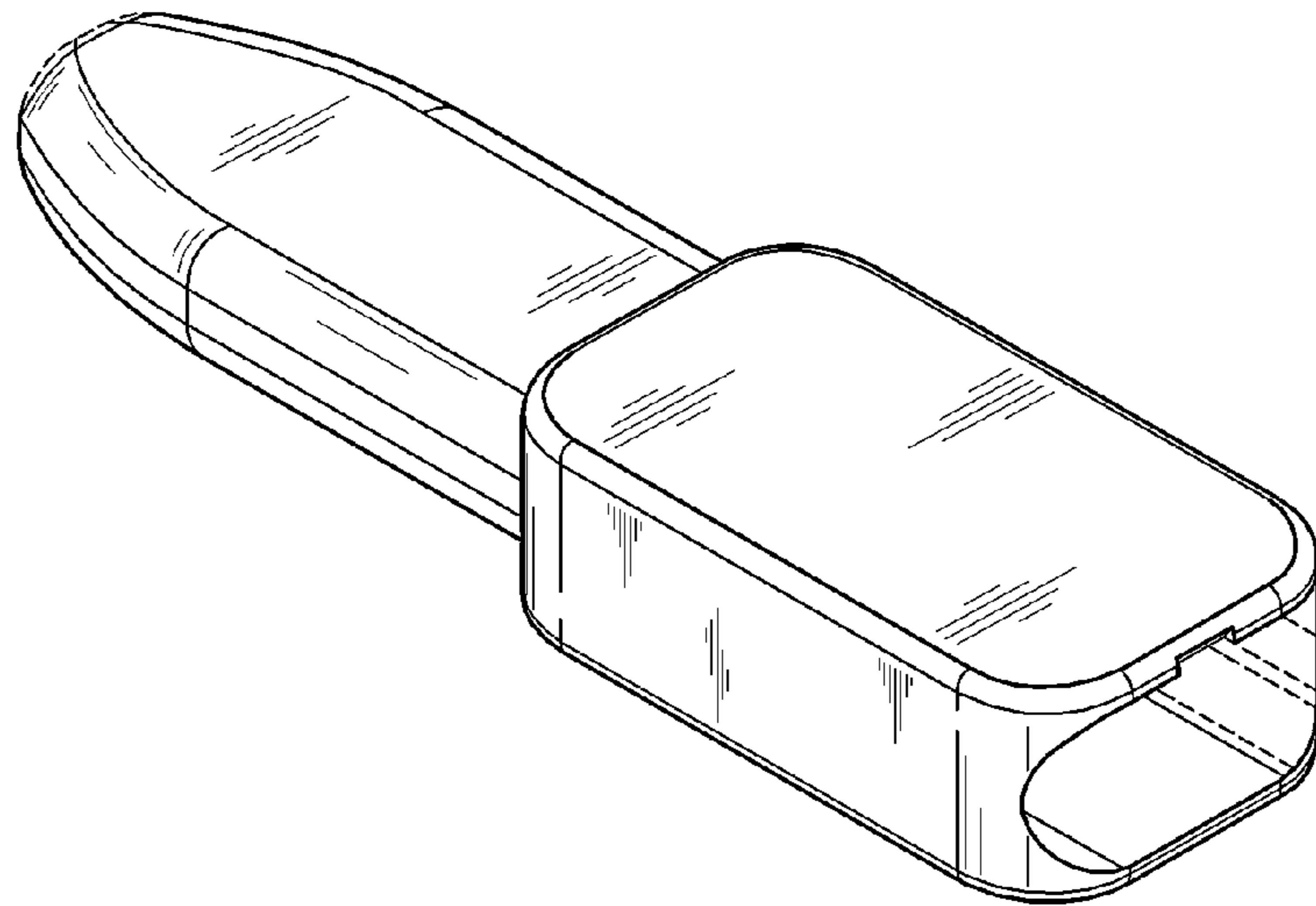


FIG. 2

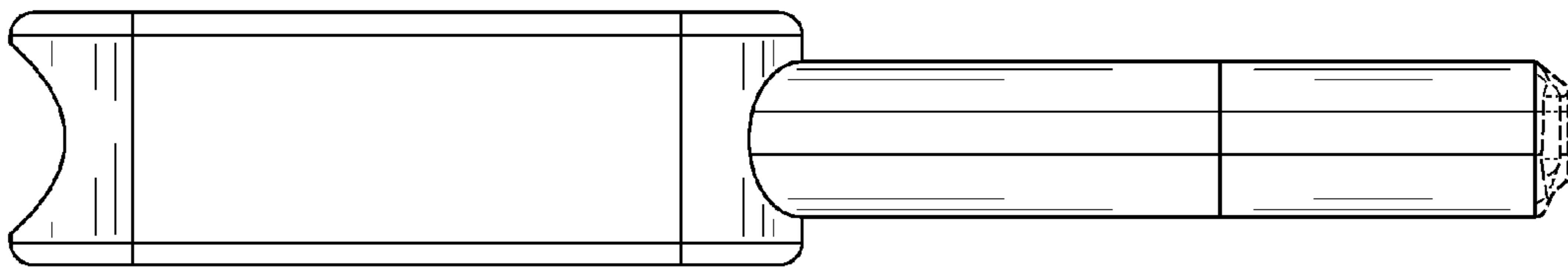


FIG. 3

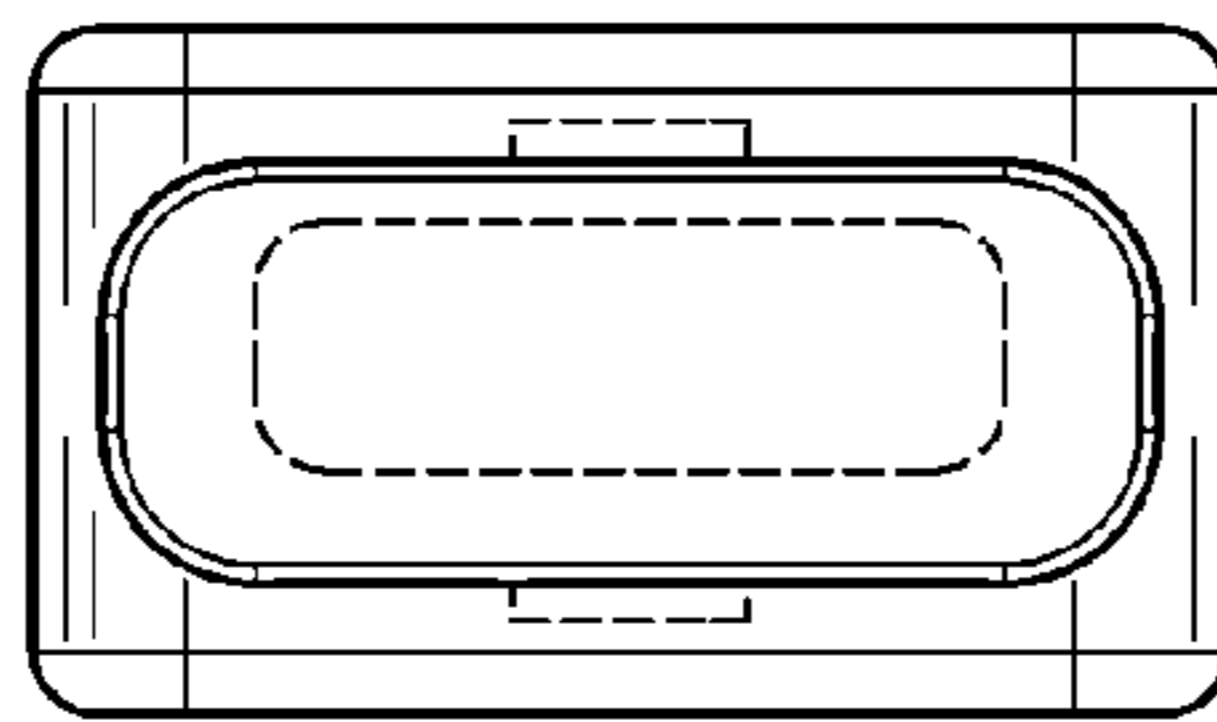


FIG. 4