



US00D745659S

(12) **United States Design Patent**
Bruining et al.

(10) **Patent No.:** **US D745,659 S**

(45) **Date of Patent:** **** Dec. 15, 2015**

(54) **TABLET**

(71) Applicant: **Reckitt Benckiser LLC**, Parsippany, NJ (US)

(72) Inventors: **Sebastiaan Bruining**, Eindhoven (NL);
Jos Harrison, Slough (GB); **Bartosz Rakiel**, Montvale, NJ (US)

(73) Assignee: **RECKITT BENCKISER LLC**, Parsippany, NJ (US)

(**) Term: **14 Years**

(21) Appl. No.: **29/495,614**

(22) Filed: **Jul. 2, 2014**

(30) **Foreign Application Priority Data**

Jan. 14, 2014 (EM) 001398838-0002

(51) **LOC (10) Cl.** **24-01**

(52) **U.S. Cl.**
USPC **D24/101**

(58) **Field of Classification Search**
USPC D24/100-104; D1/100, 127, 130;
D23/207, 208; D21/470, 479,
D21/486-488, 386
CPC A61K 9/20; A61K 9/209; A61K 9/2077;
A61K 9/5078; A61K 9/2081; A61K 9/4891;
A61K 9/167; A61K 8/11
See application file for complete search history.

(56) **References Cited**

U.S. PATENT DOCUMENTS

D285,363 S * 8/1986 Tovey D24/101

D334,227 S * 3/1993 Gladfelter et al. D23/207
D450,883 S * 11/2001 Buter et al. D28/8.1
D477,866 S * 7/2003 Dubois et al. D24/101
D555,783 S * 11/2007 Chen et al. D24/102
D556,946 S * 12/2007 Seum et al. D28/8.1
D556,947 S * 12/2007 Seum et al. D28/8.1
2006/0191548 A1 * 8/2006 Strickland et al. 131/347
2009/0056521 A1 * 3/2009 Goad 84/320
2011/0247640 A1 * 10/2011 Beeson et al. 131/275

* cited by examiner

Primary Examiner — Susan Bennett Hattan

Assistant Examiner — Charles Hanson

(74) *Attorney, Agent, or Firm* — Norris McLaughlin & Marcus PA

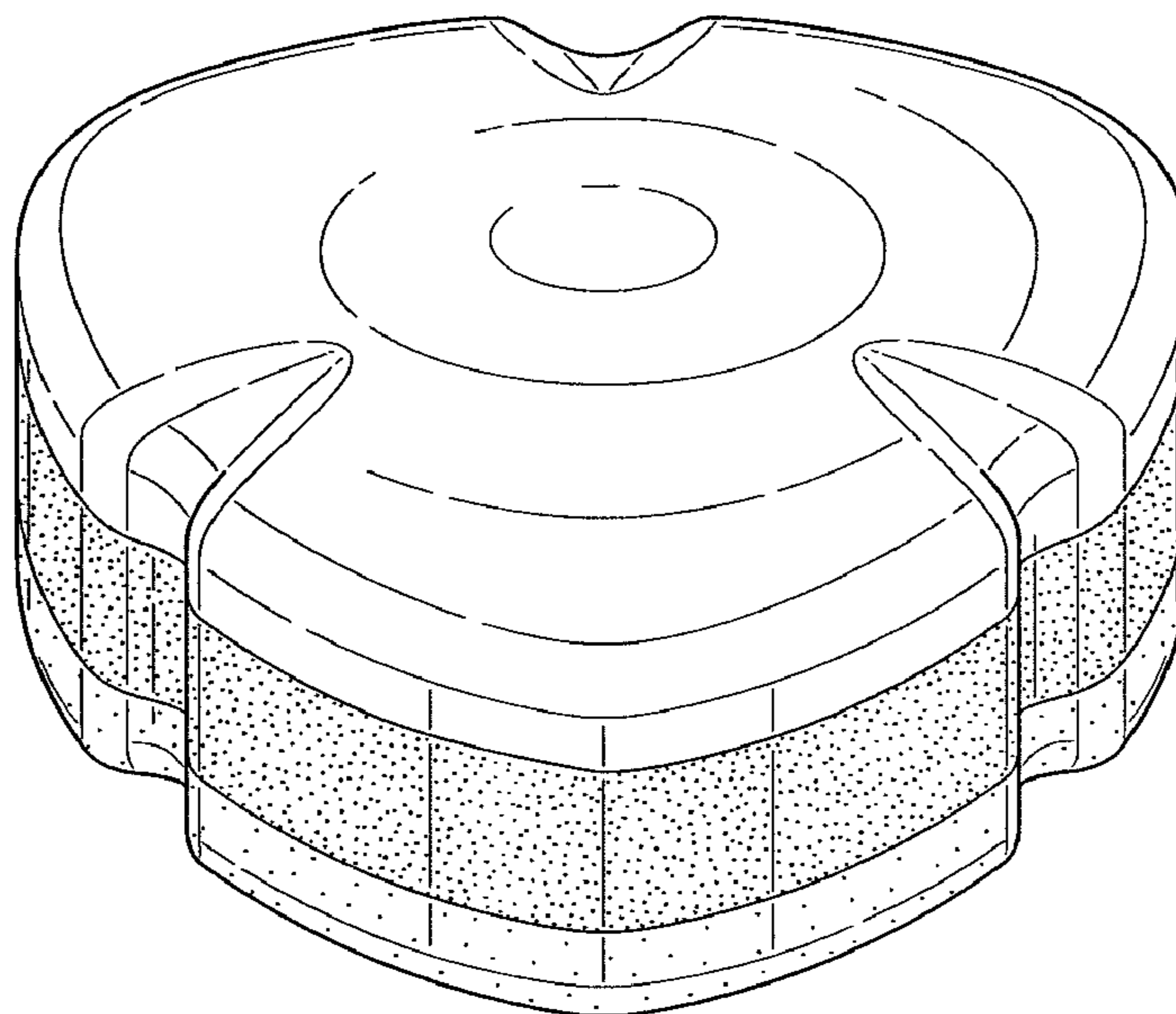
(57) **CLAIM**

The ornamental design for a tablet, as shown and described.

DESCRIPTION

FIG. 1 is a perspective view of the tablet;
FIG. 2 is a plan view of a first side of the tablet;
FIG. 3 is plan view of a second side of the tablet;
FIG. 4 is a plan view of a third side of the tablet;
FIG. 5 is a plan view of fourth side of the tablet;
FIG. 6 is a plan view of the top of the tablet; and,
FIG. 7 is a plan view of the underside of the tablet.
The two types of stippled shading are meant to indicate a contrast in appearances between layers of the tablet.

1 Claim, 4 Drawing Sheets



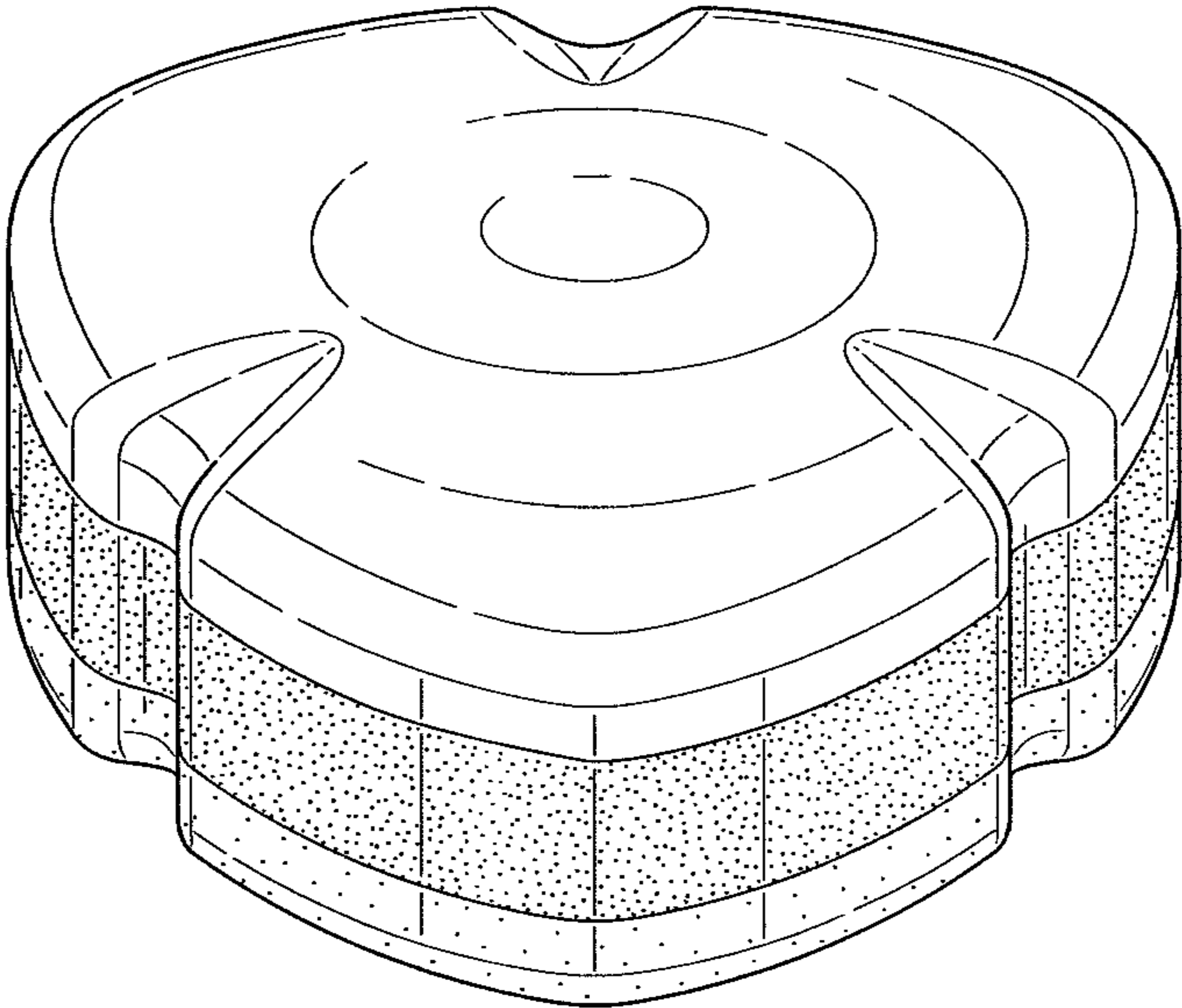


Fig. 1

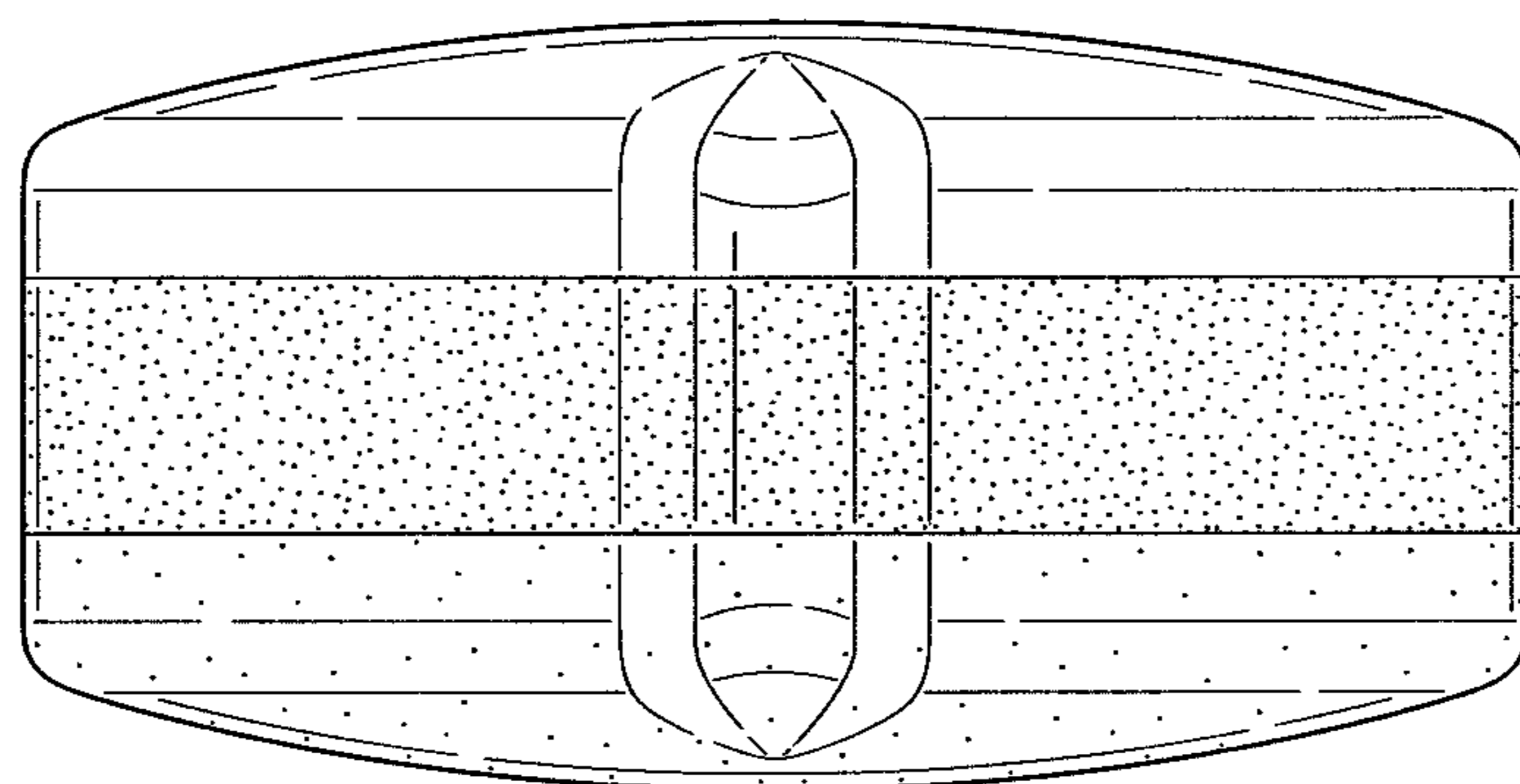


Fig. 2

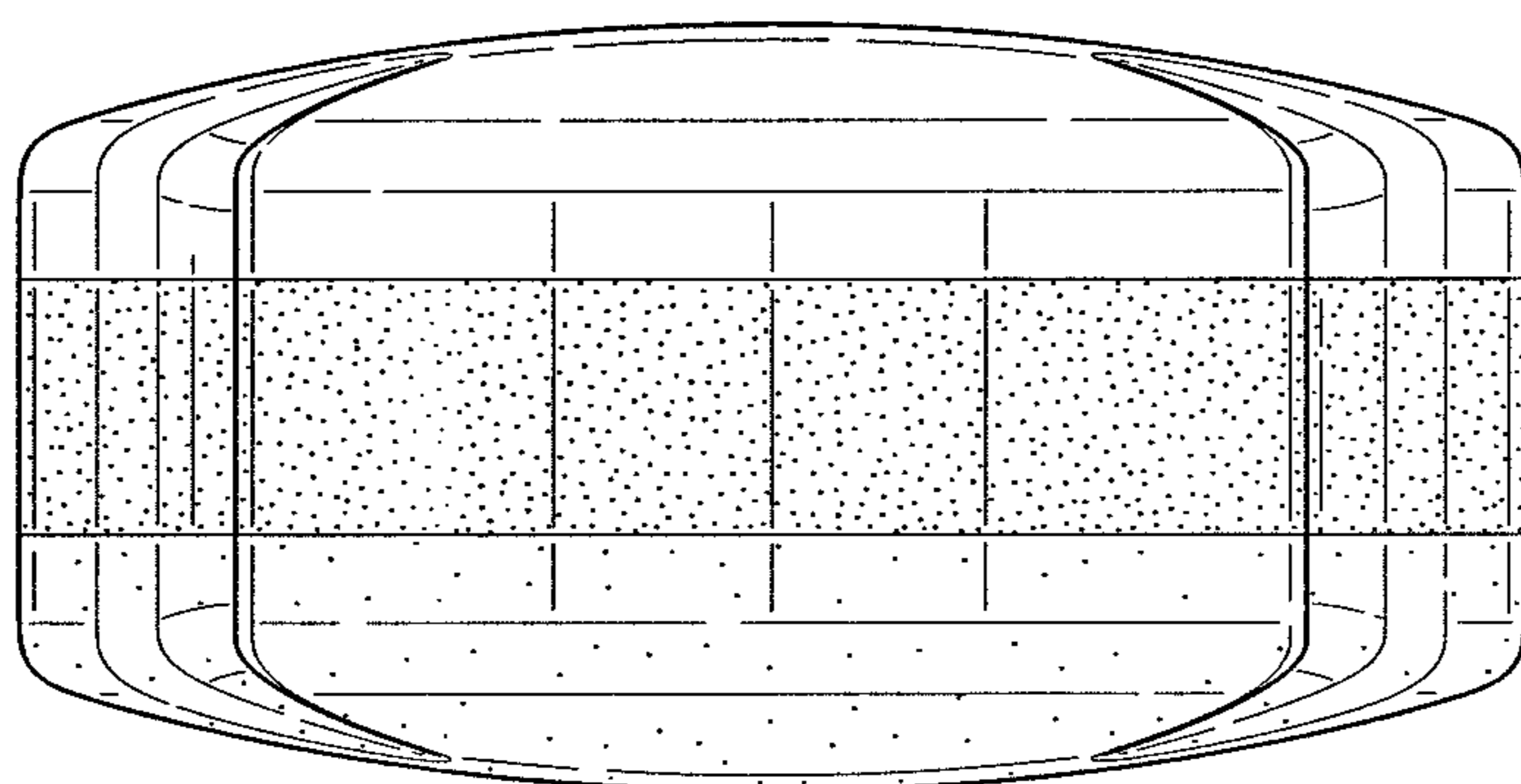


Fig. 3

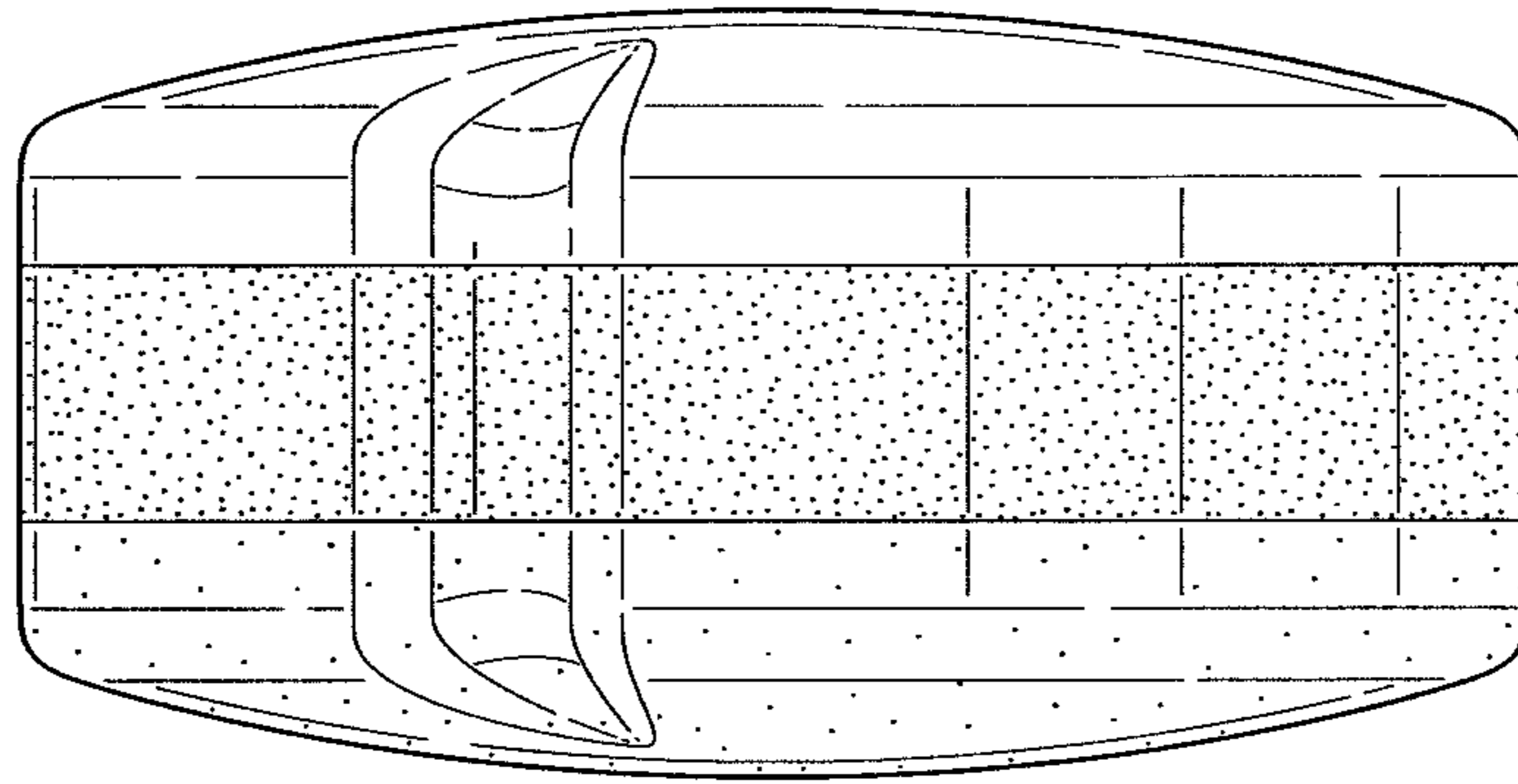


Fig. 4

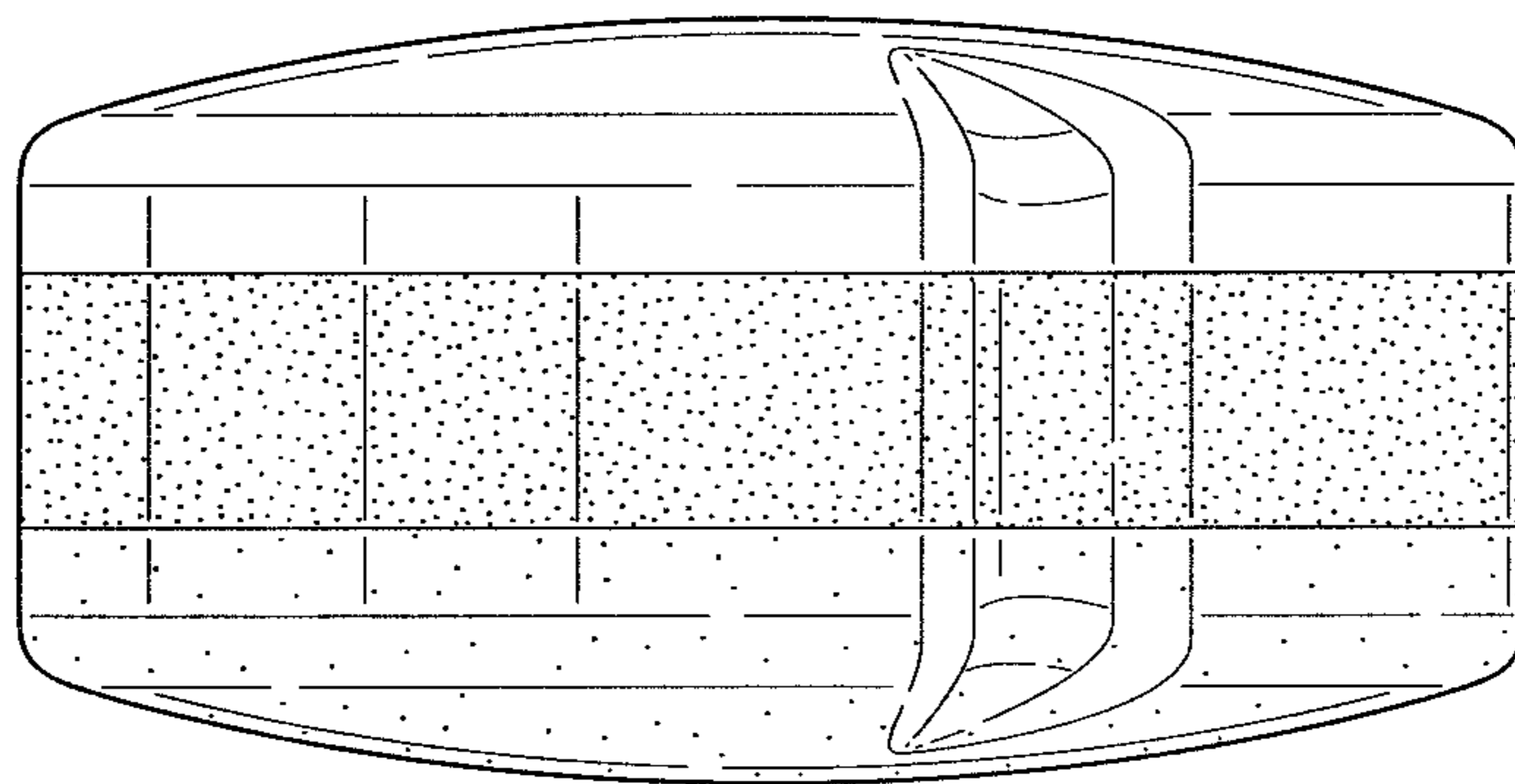


Fig. 5

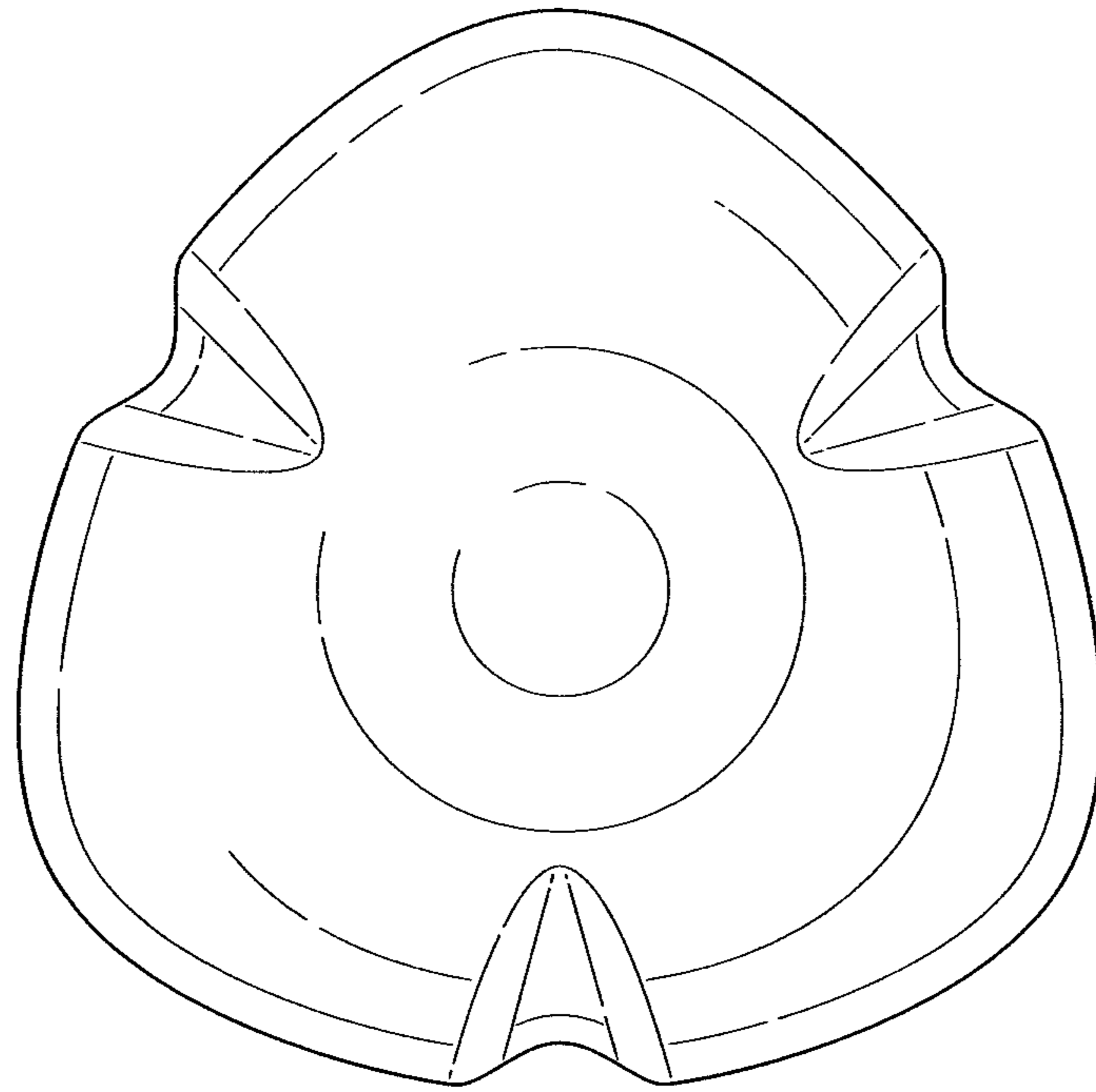


Fig. 6

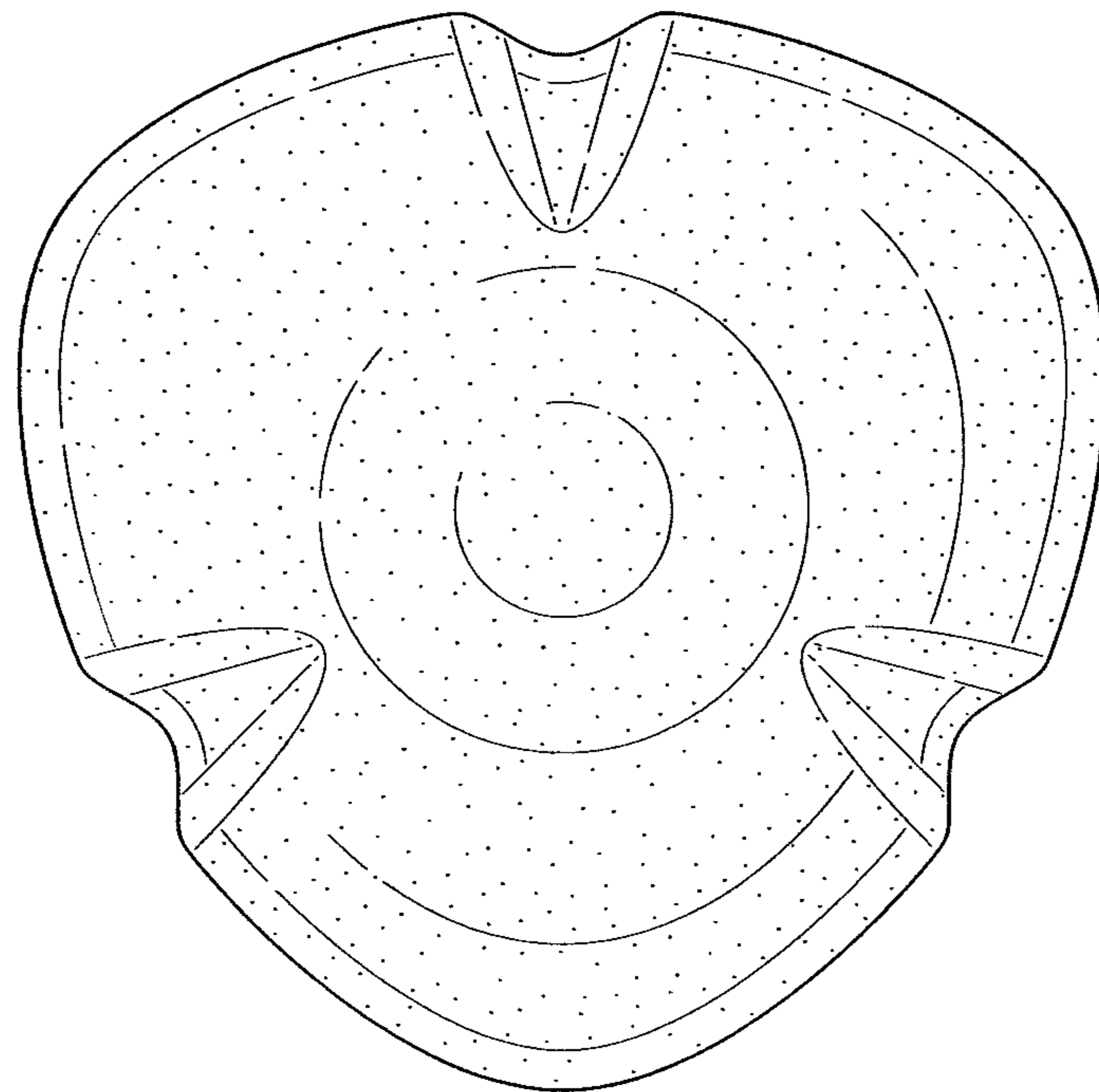


Fig. 7