



US00D745658S

(12) **United States Design Patent**  
**Wang**

(10) **Patent No.:** **US D745,658 S**

(45) **Date of Patent:** **\*\* Dec. 15, 2015**

- (54) **CEILING FAN BLADE WITH FAN BLADE BRACKET**
- (71) Applicant: **YOUNGO LIMITED**, Hong Kong (CN)
- (72) Inventor: **Cliff Wang**, Taichung (TW)
- (73) Assignee: **YOUNGO LIMITED**, Hong Kong (CN)
- (\*\*) Term: **14 Years**
- (21) Appl. No.: **29/504,373**
- (22) Filed: **Oct. 5, 2014**
- (51) **LOC (10) Cl.** ..... **23-04**
- (52) **U.S. Cl.**  
USPC ..... **D23/413**
- (58) **Field of Classification Search**  
USPC ..... D23/370–385, 411–414, 59;  
392/360–364; 416/5, 170 R, 93 R,  
416/210 R, 223 R, 207  
CPC ..... F04D 29/34; F04D 29/38; F04D 25/088  
See application file for complete search history.

- 5,951,253 A \* 9/1999 Gajewski ..... F04D 25/088  
416/205
- D671,202 S \* 11/2012 Searle ..... D23/377
- D715,418 S \* 10/2014 Schulzman ..... D23/377
- 2008/0069698 A1 \* 3/2008 Laisathit ..... F04D 25/088  
416/210 R

\* cited by examiner

*Primary Examiner* — Sandra Snapp

(74) *Attorney, Agent, or Firm* — Pai Patent & Trademark Law Firm; Chao-Chang David Pai

(57) **CLAIM**

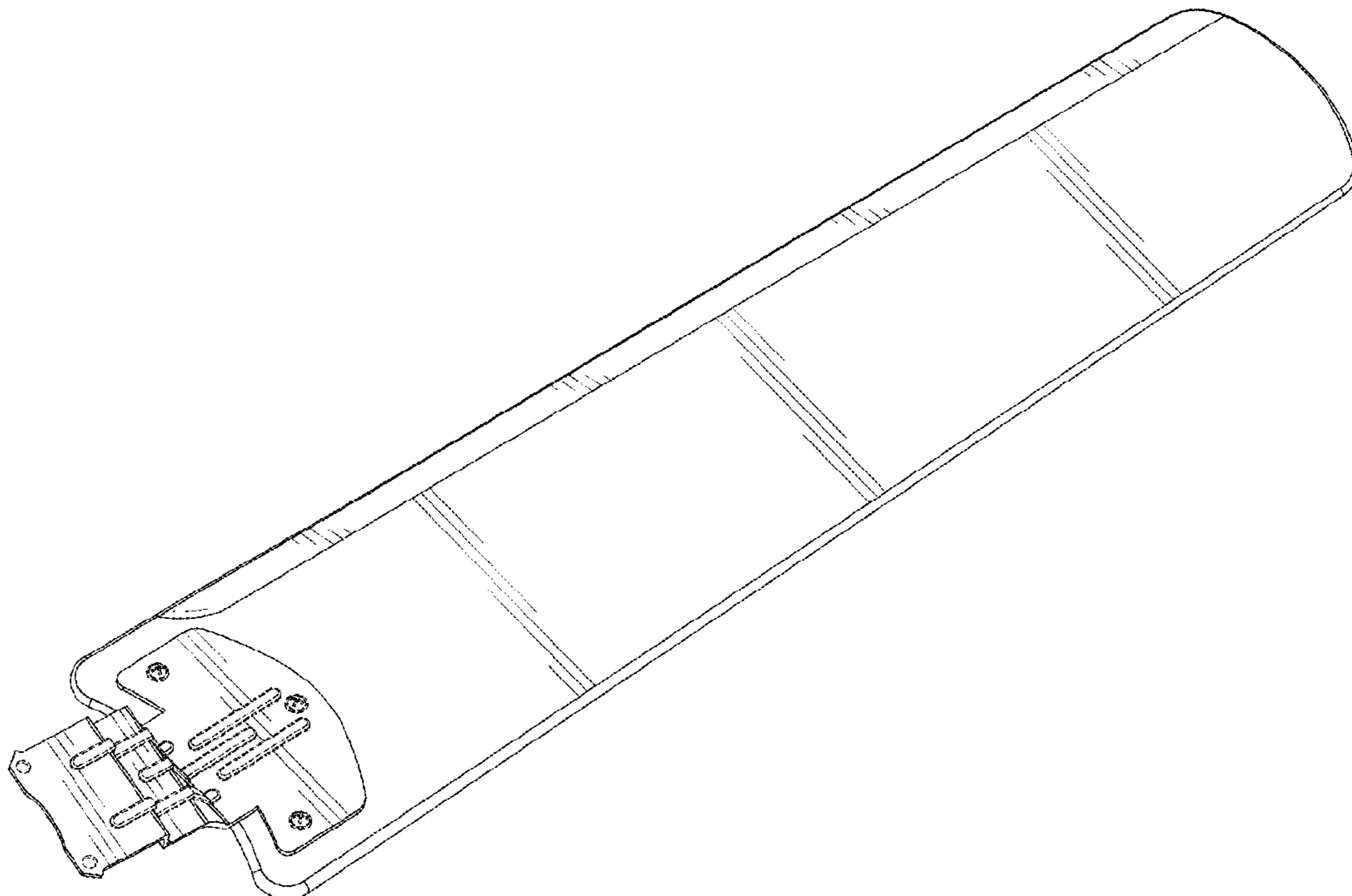
The ornamental design for a ceiling fan blade with fan blade bracket, as shown and described.

**DESCRIPTION**

FIG. 1 is a front perspective view of a ceiling fan blade with fan blade bracket showing my new design;  
 FIG. 2 is a front elevational view thereof;  
 FIG. 3 is a rear elevational view thereof;  
 FIG. 4 is a left side elevational view thereof;  
 FIG. 5 is a right side elevational view thereof;  
 FIG. 6 is a top plan view thereof;  
 FIG. 7 is a bottom plan view thereof; and,  
 FIG. 8 is another front perspective view thereof.  
 The broken lines are for the purpose of illustrating environmental structure and form no part of the claimed design.

**1 Claim, 5 Drawing Sheets**

- (56) **References Cited**  
U.S. PATENT DOCUMENTS  
D377,975 S \* 2/1997 Young ..... D23/377  
5,645,403 A \* 7/1997 Bogage ..... F04D 29/38  
416/235



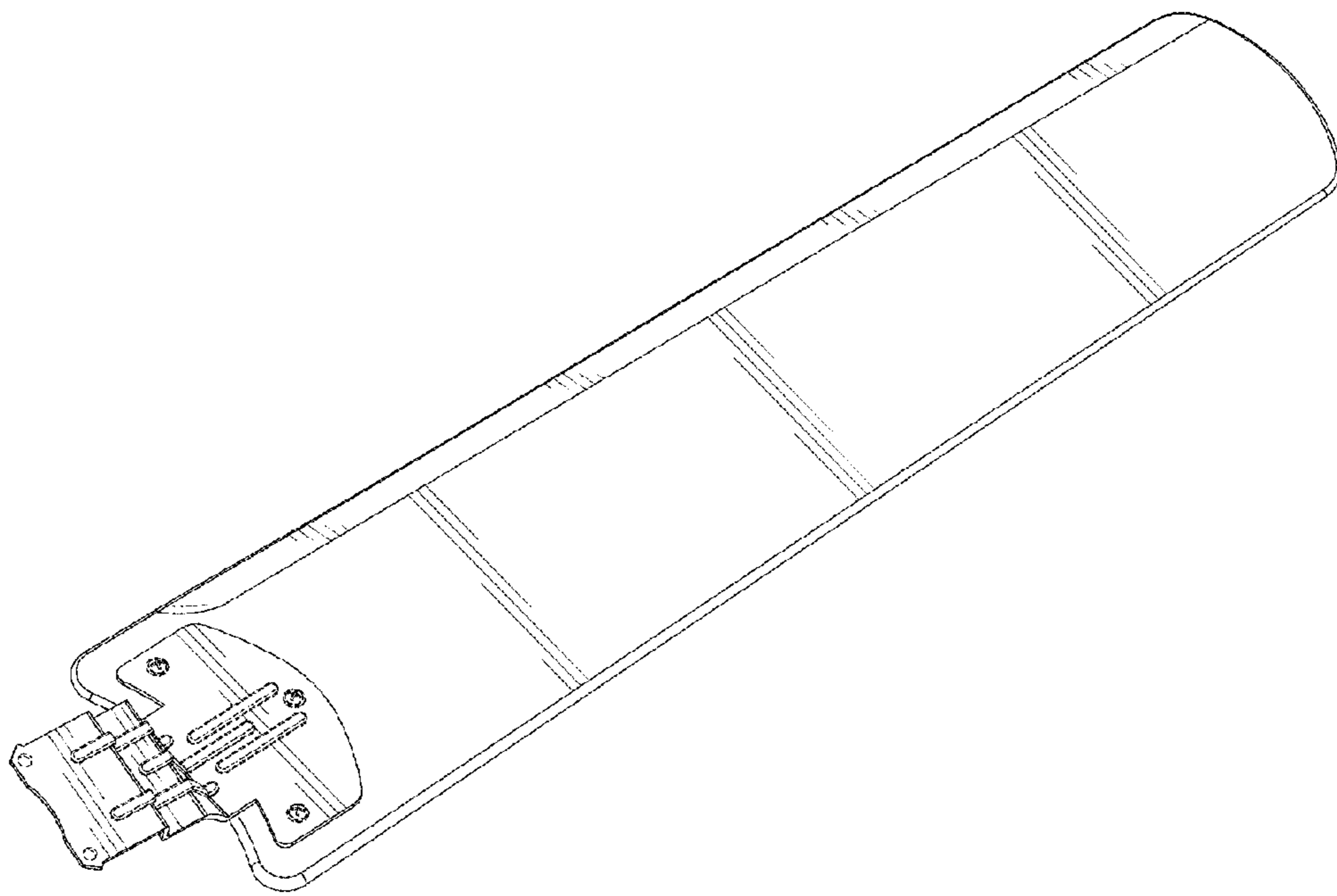


FIG. 1

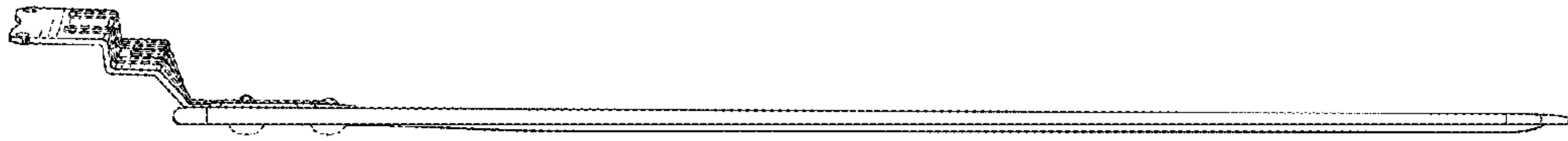


FIG. 2



FIG. 3

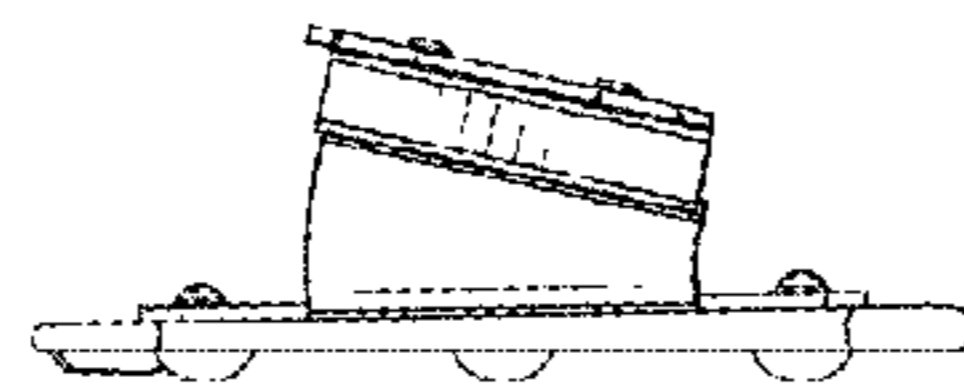


FIG. 4

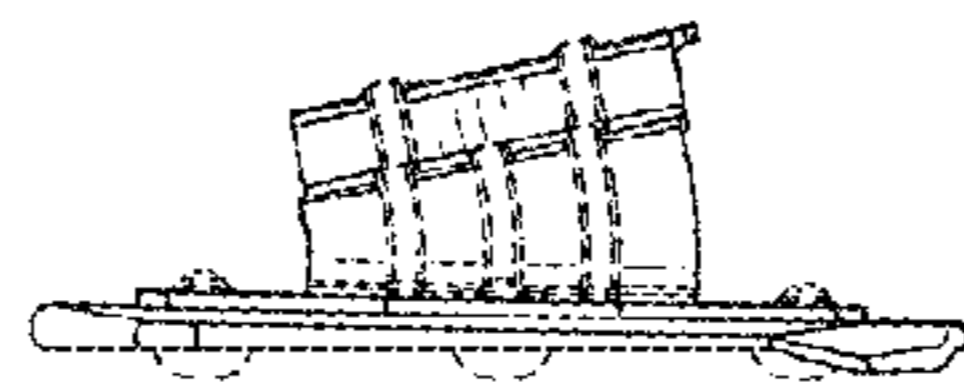


FIG. 5

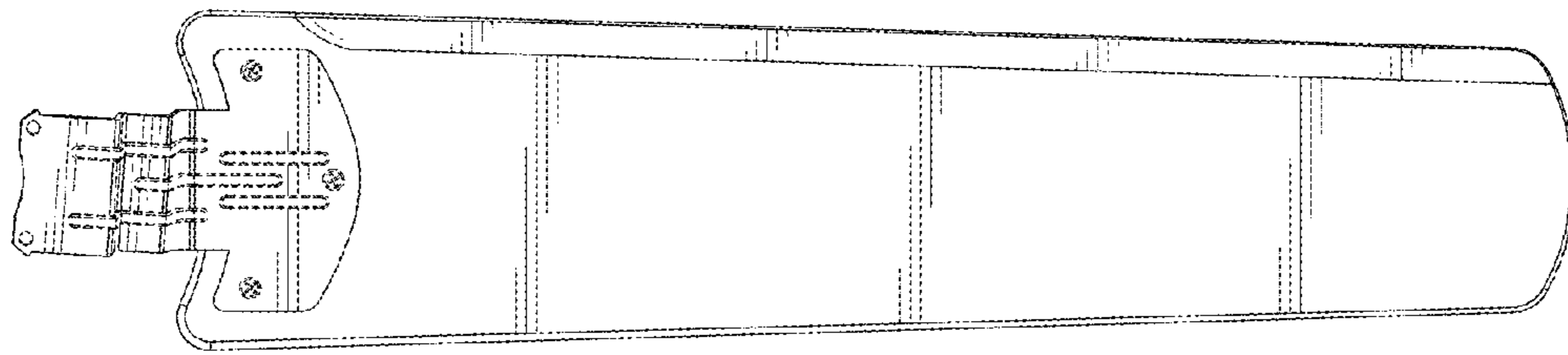


FIG. 6

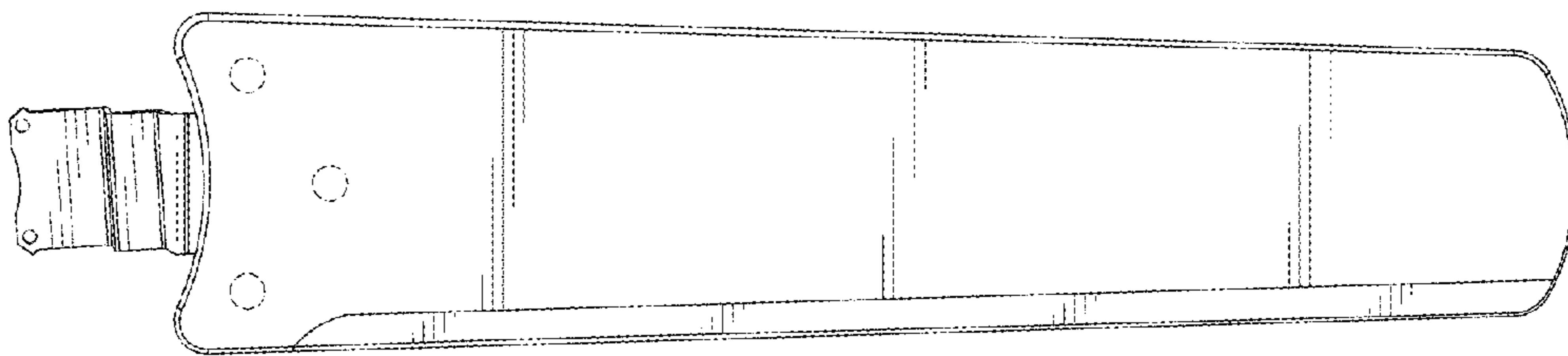


FIG. 7

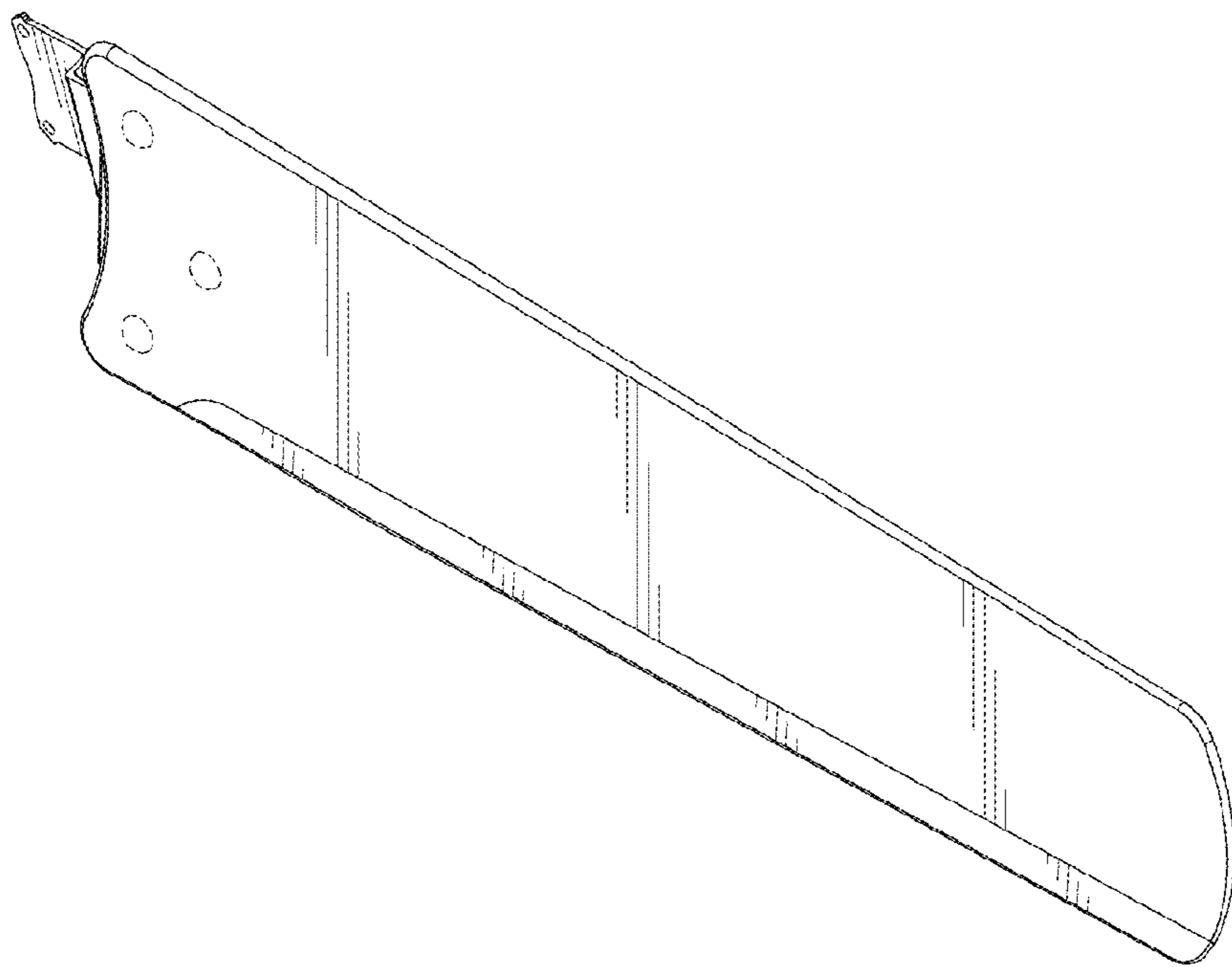


FIG. 8