



US00D745657S

(12) **United States Design Patent**  
**Wang**

(10) **Patent No.:** **US D745,657 S**

(45) **Date of Patent:** **\*\* Dec. 15, 2015**

(54) **CEILING FAN BLADE AND FAN BLADE  
BRACKET ASSEMBLY**

(71) Applicant: **AIR COOL INDUSTRIAL CO., LTD.,**  
Taichung (TW)

(72) Inventor: **Cilff Wang,** Taichung (TW)

(73) Assignee: **AIR COOL INDUSTRIAL CO., LTD.,**  
Taichung (TW)

(\*\*) Term: **14 Years**

(21) Appl. No.: **29/498,142**

(22) Filed: **Jul. 31, 2014**

(51) **LOC (10) Cl.** ..... **23-04**

(52) **U.S. Cl.**  
USPC ..... **D23/413; D23/411**

(58) **Field of Classification Search**  
USPC ..... D23/377, 370-376, 378-394, 411-414,  
D23/499; D12/214, 305, 319, 339, 344,  
D12/345; 416/5, 62, 170 R, 214 R, 184, 206,  
416/207, 210 R, 220 R, 241 R, 244 R, 248,  
416/223 R, 232, 234, 242; 417/423.1;  
392/364; D26/59

CPC ... F04D 25/088; F04D 29/322; F04D 29/324;  
F04D 29/388; F04D 29/601; B23P 15/04  
See application file for complete search history.

(56) **References Cited**

**U.S. PATENT DOCUMENTS**

1,133,191 A \* 3/1915 Staples ..... F04D 29/34  
416/214 R  
1,777,013 A \* 9/1930 Ness ..... F04D 29/384  
416/234  
D192,186 S \* 2/1962 Sakhnoffsky ..... D8/367  
D475,775 S \* 6/2003 Da Costa ..... D23/377

D505,877 S \* 6/2005 Hardy ..... D11/26  
D588,444 S \* 3/2009 Shamlian ..... D8/367  
D678,801 S \* 3/2013 Takahashi ..... D11/37  
D678,802 S \* 3/2013 Takahashi ..... D11/37  
D678,997 S \* 3/2013 Gajewski ..... D23/372  
D707,808 S \* 6/2014 Wang ..... D23/377  
2012/0177496 A1 \* 7/2012 Gajewski ..... F04D 25/088  
416/204 R

**OTHER PUBLICATIONS**

Kichler Link 300168. build.com [online] 1 page Posted as early as  
Dec. 2014 based on sole review [retrieved on Sep. 2, 2015]. Retrieved  
from Internet: <<http://www.build.com/kichler-300168/s918765>>.\*

(Continued)

*Primary Examiner* — Susan Bennett Hattan

*Assistant Examiner* — Marie Fast Horse

(74) *Attorney, Agent, or Firm* — Ming Chow; Sinorica, LLC

(57) **CLAIM**

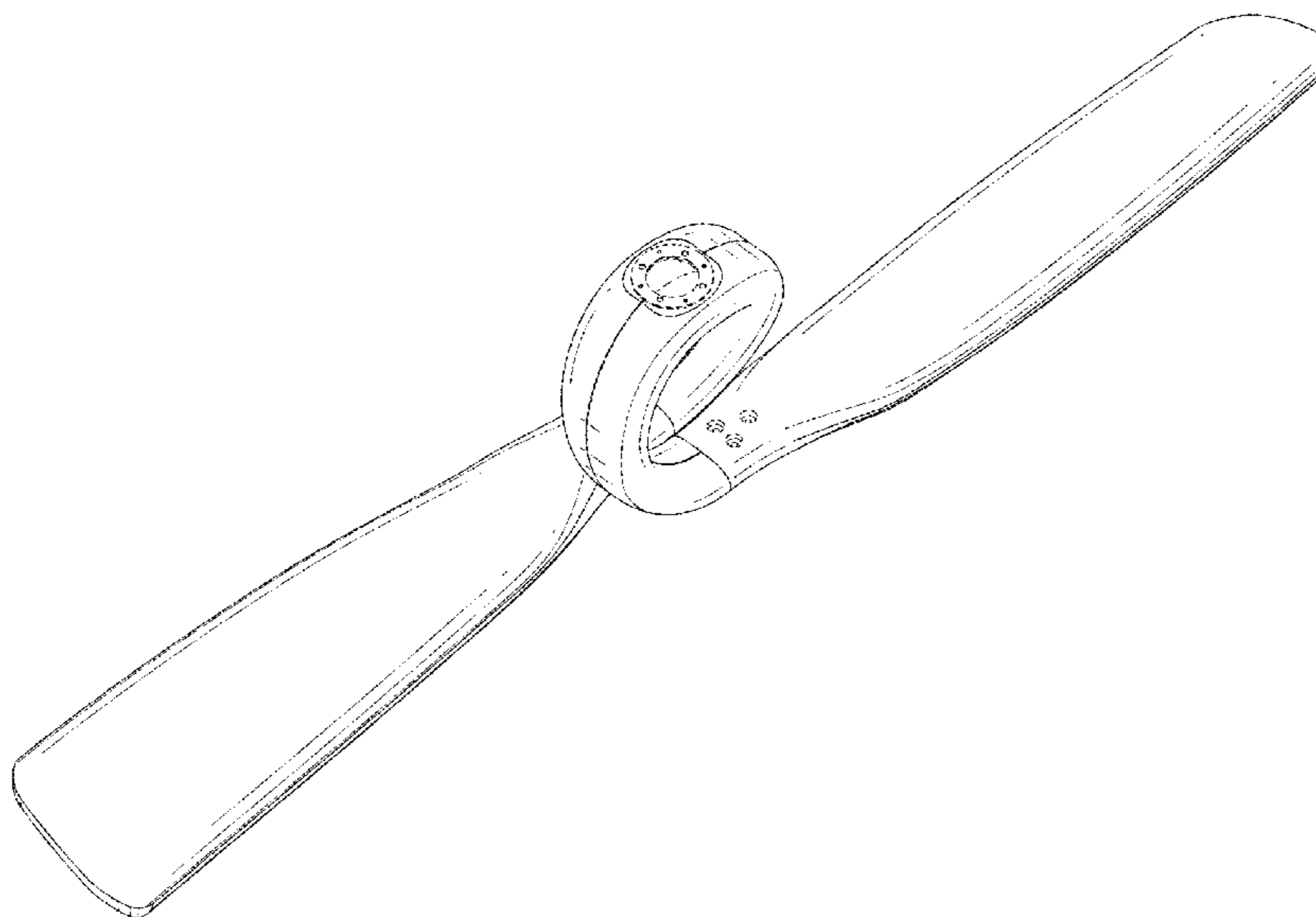
I claim the ornamental design for a ceiling fan blade and fan  
blade bracket assembly, as shown and described.

**DESCRIPTION**

FIG. 1 is a front perspective view of a ceiling fan blade and fan  
blade bracket assembly showing my new design;  
FIG. 2 is a front elevational view thereof;  
FIG. 3 is a rear elevational view thereof;  
FIG. 4 is a left side elevational view thereof;  
FIG. 5 is a right side elevational view thereof;  
FIG. 6 is a top plan view thereof;  
FIG. 7 is a bottom plan view thereof; and,  
FIG. 8 is another front perspective view.

The broken lines in the drawings depict parts of the ceiling fan  
blade and fan blade bracket assembly that form no part of the  
claimed design.

**1 Claim, 5 Drawing Sheets**



(56)

**References Cited**

OTHER PUBLICATIONS

Link Fan—Kichler Lighting. Youtube.com(online) 1 page. published Mar. 12, 2014 [retrieved on Sep. 2, 2015]. Retrieved from Internet: <<https://www.youtube.com/watch?v=9zGfjJ8xFhY>>.\*  
Westinghouse 7201600 Aerialist. Amazon.com. [online] 7 pages

Posted as early as Dec. 2014 based on sole review [retrieved on Sep. 2, 2015]. Retrieved from Internet: <[http://www.amazon.com/Westinghouse-7201600-Aerialist-52-Inch-Two-Blade/dp/B00WHQP1MC/ref=pd\\_sim\\_sbs\\_60\\_10?ie=UTF8&refRID=0WH57AYAR3HS1F6QF31Y](http://www.amazon.com/Westinghouse-7201600-Aerialist-52-Inch-Two-Blade/dp/B00WHQP1MC/ref=pd_sim_sbs_60_10?ie=UTF8&refRID=0WH57AYAR3HS1F6QF31Y)>.\*

\* cited by examiner

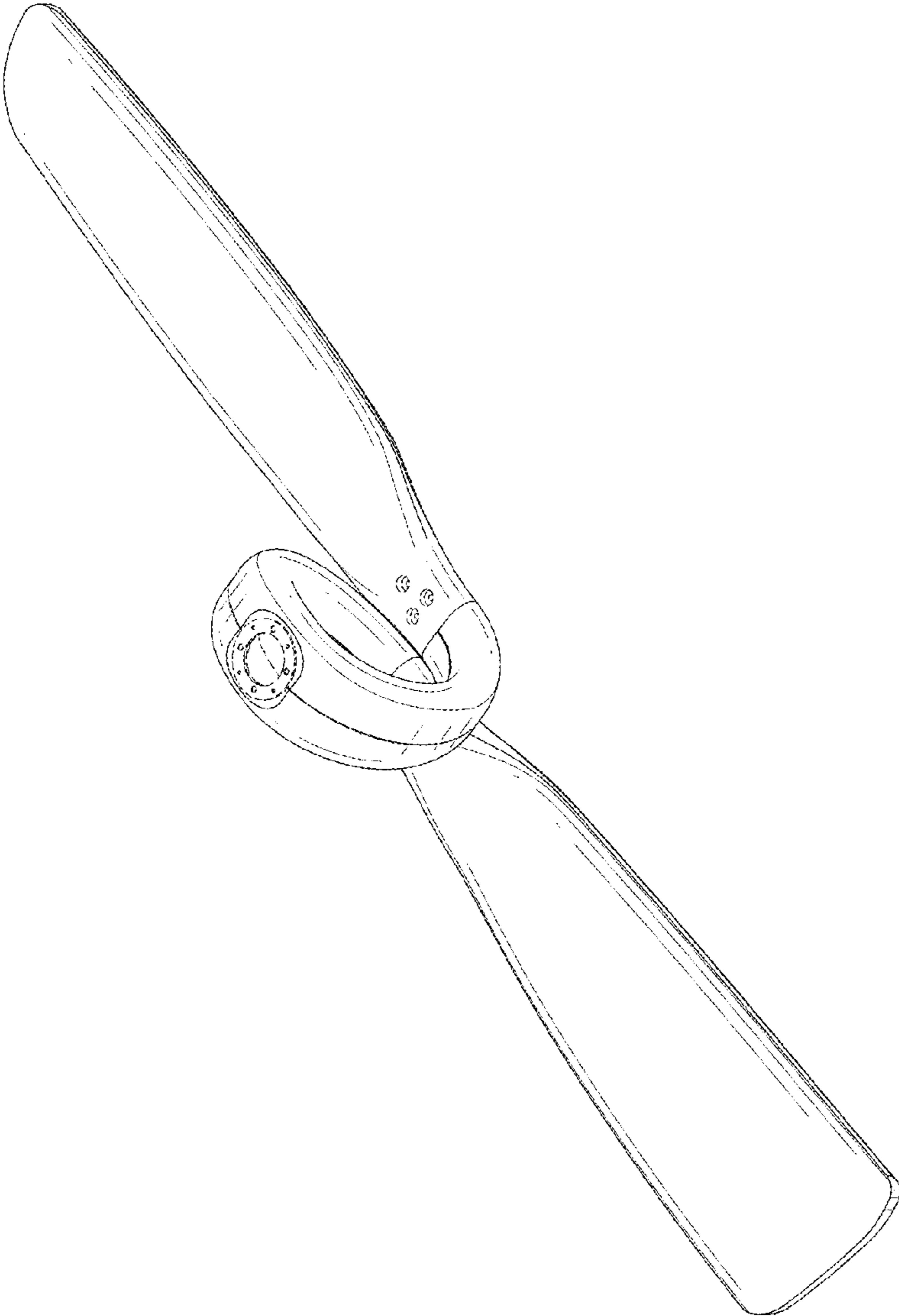


FIG. 1

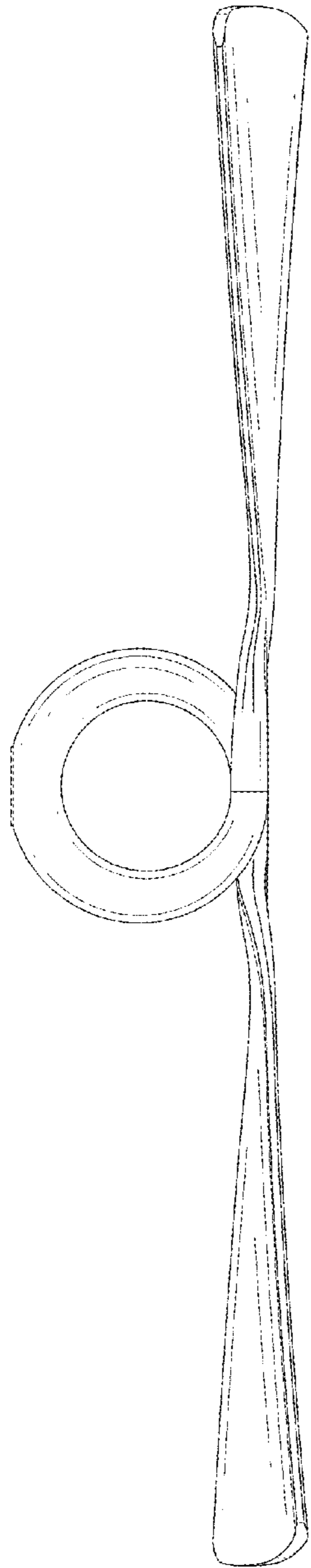


FIG. 2

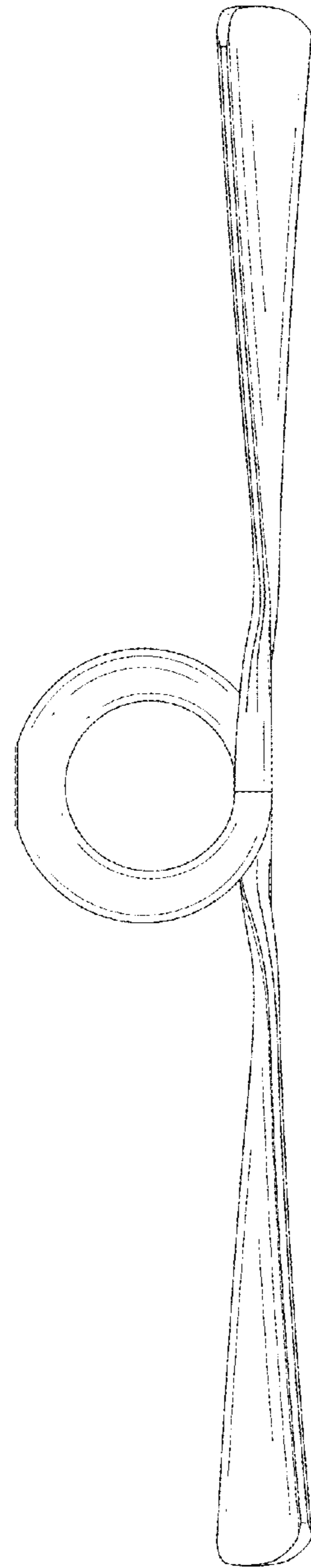


FIG. 3

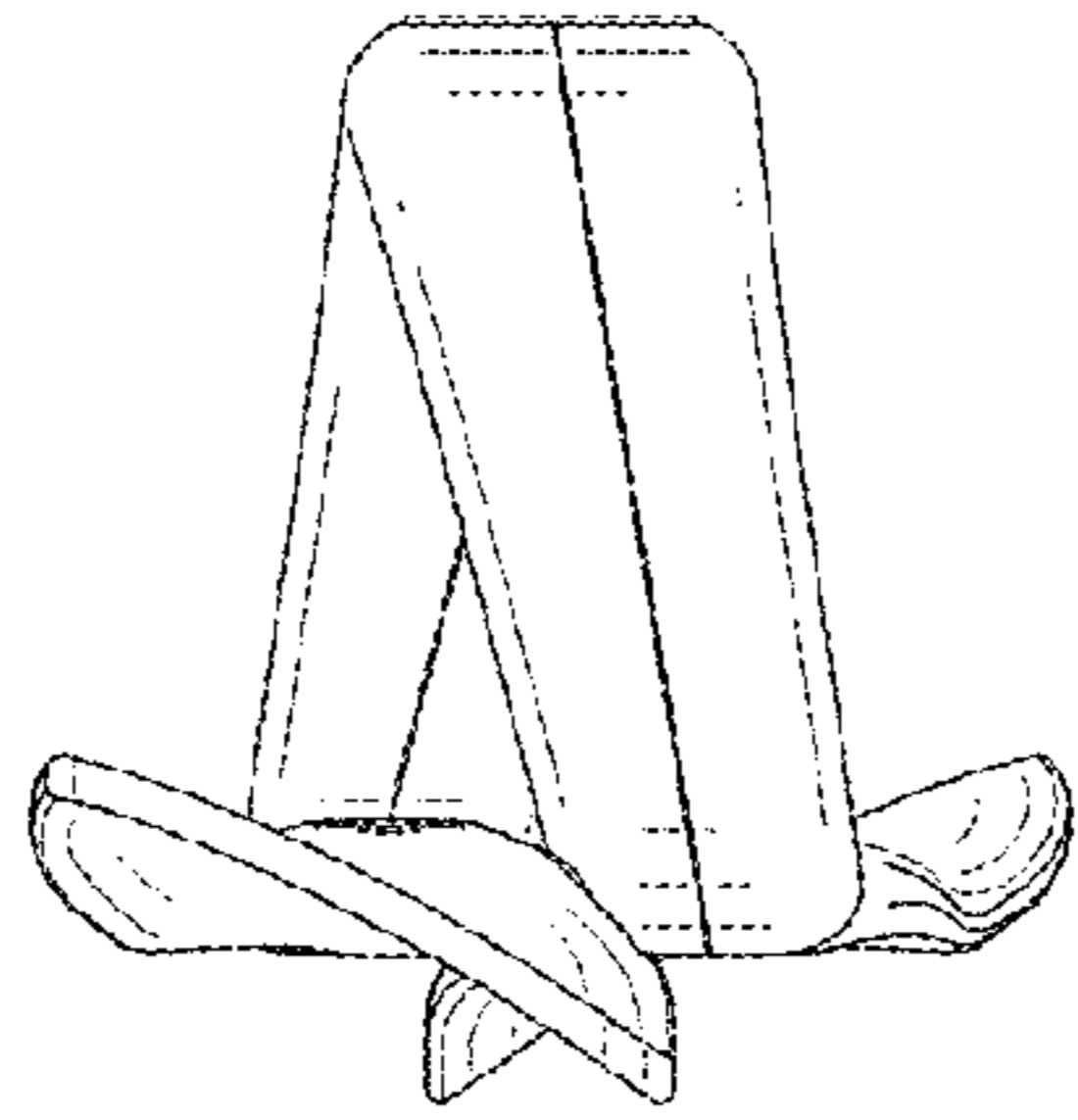


FIG. 4

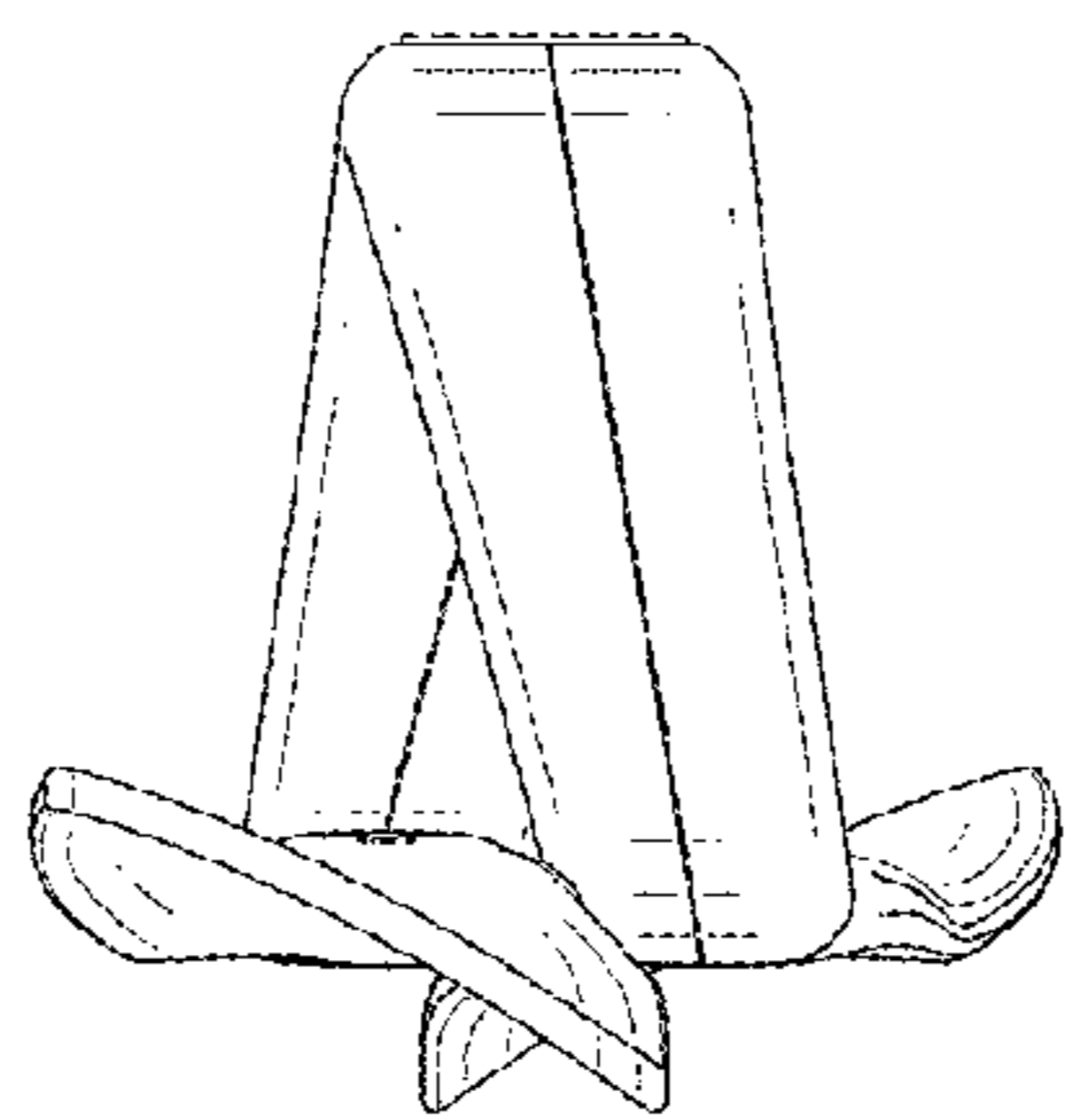


FIG. 5

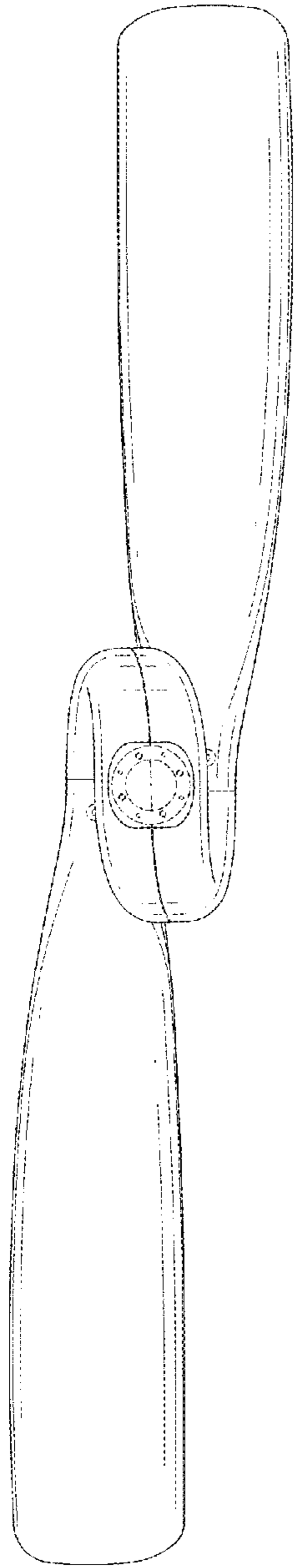


FIG. 6

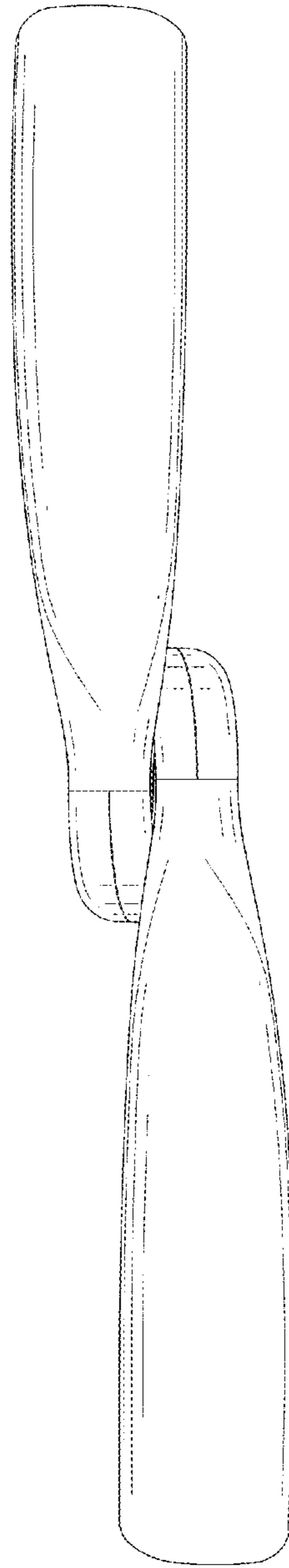


FIG. 7

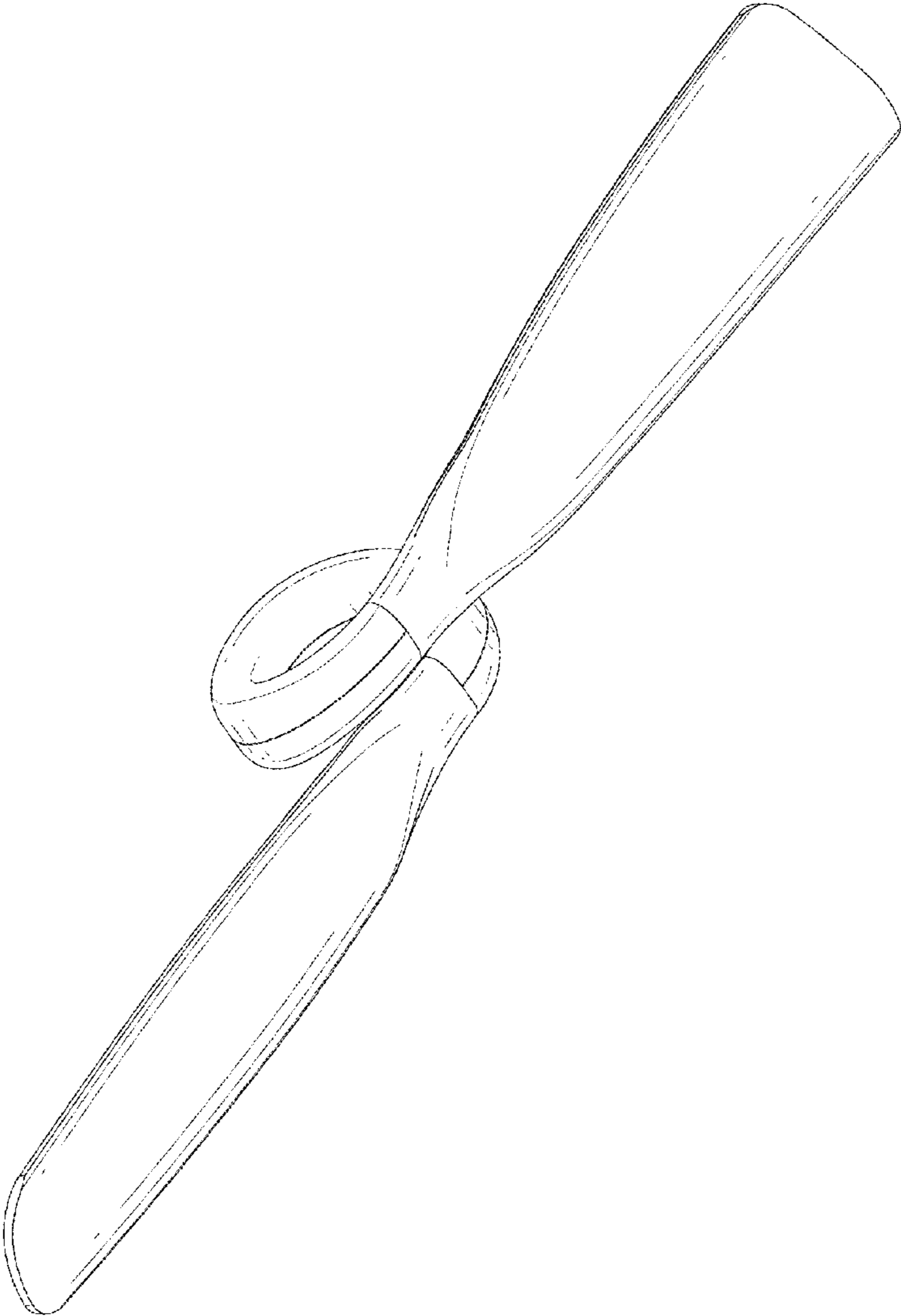


FIG. 8