



US00D745656S

(12) **United States Design Patent**
Wang

(10) **Patent No.:** **US D745,656 S**
(45) **Date of Patent:** **** Dec. 15, 2015**

(54) **FAN BLADE BRACKET**

(71) Applicant: **AIR COOL INDUSTRIAL CO., LTD.,**
Taichung (TW)

(72) Inventor: **Cliff Wang,** Taichung (TW)

(73) Assignee: **AIR COOL INDUSTRIAL CO., LTD.,**
Taichung (TW)

(**) Term: **14 Years**

(21) Appl. No.: **29/498,187**

(22) Filed: **Jul. 31, 2014**

(51) **LOC (10) Cl.** **23-04**

(52) **U.S. Cl.**
USPC **D23/411**

(58) **Field of Classification Search**
USPC D23/377, 370–376, 378–394, 411–414,
D23/499; D12/214, 305, 319, 339, 344,
D12/345; 416/5, 62, 170 R, 214 R, 184, 206,
416/207, 210 R, 220 R, 241 R, 244 R, 248,
416/223 R, 232, 234, 242; 417/423.1;
392/364; D26/59; D8/327, 328, 343,
D8/349, 363, 376, 378, 380
CPC ... F04D 25/088; F04D 29/263; F04D 29/266;
F04D 29/322; F04D 29/34; F04D 29/36;
F04D 29/362; F04D 29/364; F04D 29/366;
F04D 29/368; F04D 29/384; F04D 29/60;
F01D 5/30; F21V 33/0096
See application file for complete search history.

(56) **References Cited**

U.S. PATENT DOCUMENTS

D92,335 S * 5/1934 Brantingson 16/387
D484,968 S * 1/2004 Huang D23/411
D486,219 S * 2/2004 Hsieh D23/411
D487,506 S * 3/2004 Burns D23/411
D490,514 S * 5/2004 Tsuji D23/411
D523,136 S * 6/2006 Chen D23/411

D525,700 S * 7/2006 Ertze D23/411
D532,104 S * 11/2006 Pickett D23/411
D555,781 S * 11/2007 Glasbrenner D23/411
D556,318 S * 11/2007 Curtin D23/411
D568,983 S * 5/2008 Pan D23/411
D573,245 S * 7/2008 Pan D23/411
D581,515 S * 11/2008 Pickett D23/411
D604,407 S * 11/2009 Patton D23/411
D607,096 S * 12/2009 Searle D23/377
D626,210 S * 10/2010 Searle D23/411
D645,725 S * 9/2011 Katz D8/323
D710,988 S * 8/2014 Pan D23/411
2006/0120064 A1 * 6/2006 McElhannon G02B 6/001
362/96
2009/0004015 A1 * 1/2009 Wang F04D 29/34
416/210 R
2009/0004016 A1 * 1/2009 Wang F04D 29/34
416/210 R
2009/0035141 A1 * 2/2009 Wang F04D 29/34
416/210 R

* cited by examiner

Primary Examiner — Susan Bennett Hattan

Assistant Examiner — Marie Fast Horse

(74) *Attorney, Agent, or Firm* — Ming Chow; Sinorica, LLC

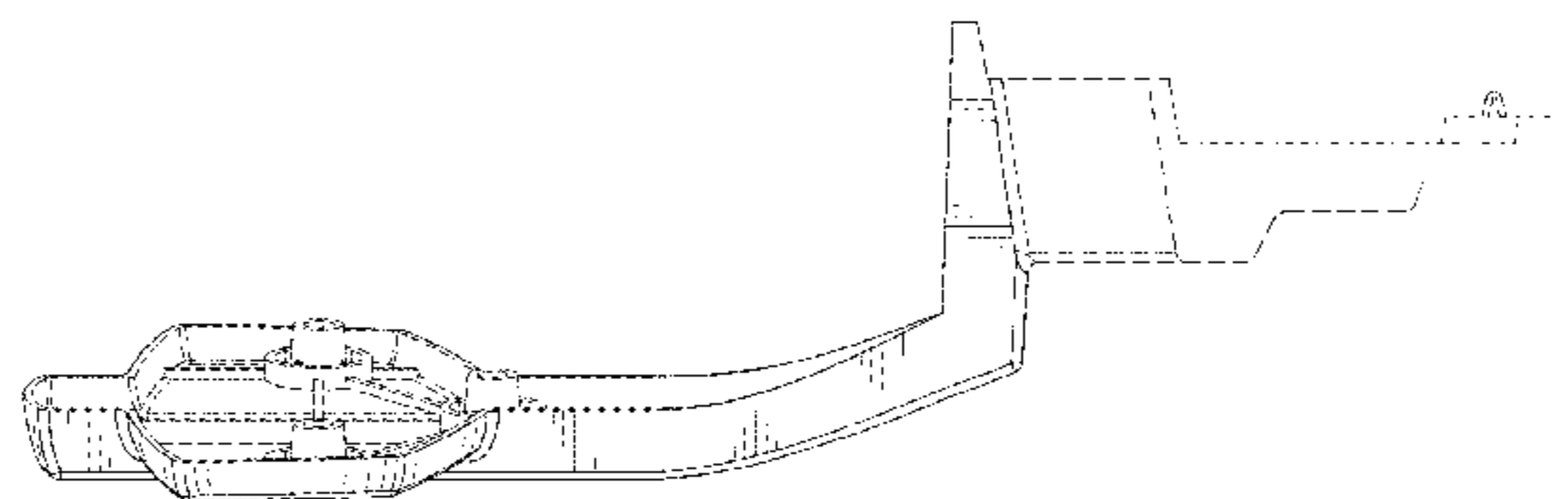
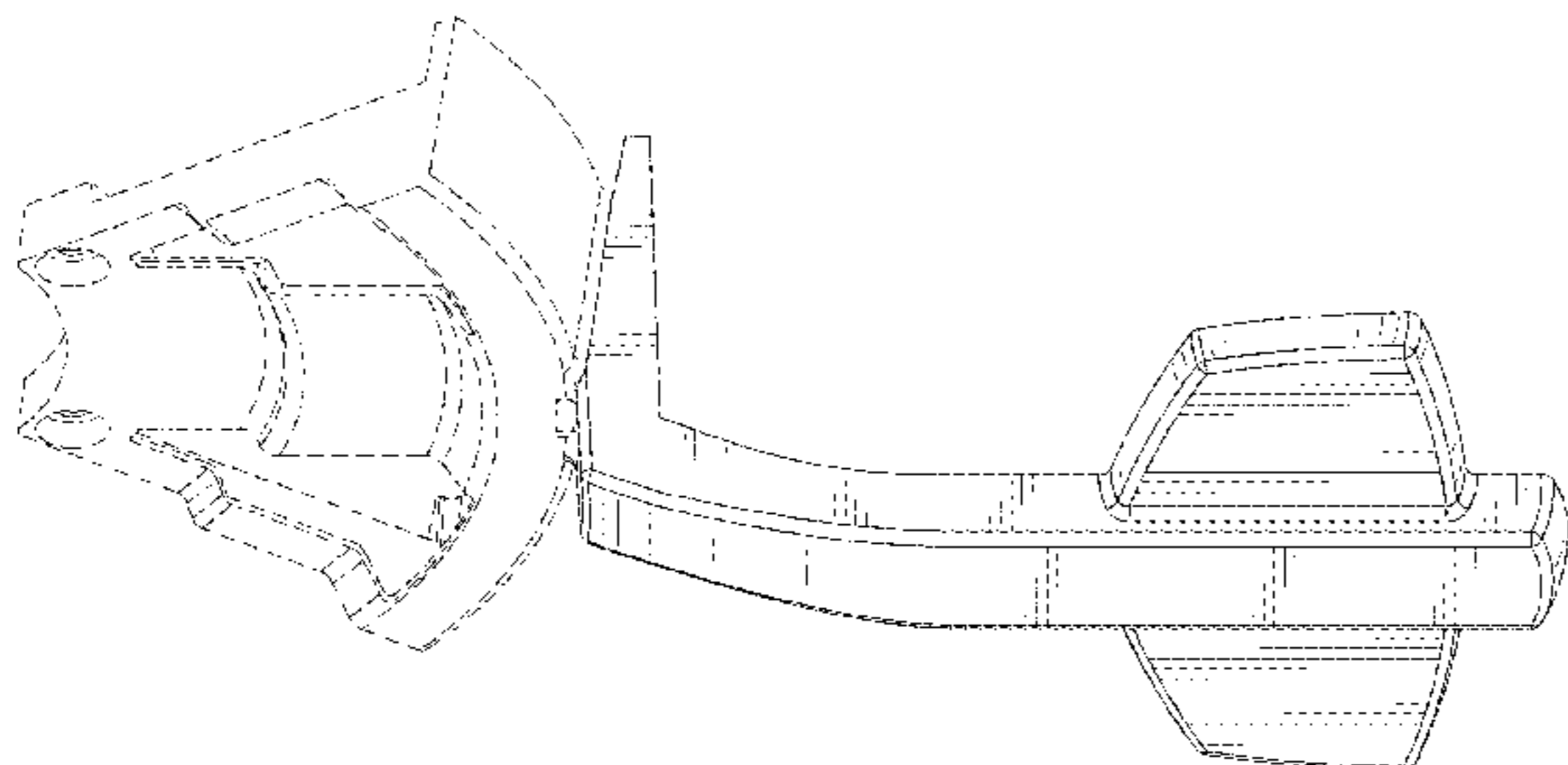
(57) **CLAIM**

I claim the ornamental design for a fan blade bracket, as shown and described.

DESCRIPTION

FIG. 1 is a front perspective view of a fan blade bracket showing my new design;
FIG. 2 is a front elevational view thereof;
FIG. 3 is a rear elevational view thereof;
FIG. 4 is a left side elevational view thereof;
FIG. 5 is a right side elevational view thereof;
FIG. 6 is a top plan view thereof;
FIG. 7 is a bottom plan view thereof; and,
FIG. 8 is another front perspective view.
The broken lines in the drawings depict a part of the fan blade bracket that forms no part of the claimed design.

1 Claim, 6 Drawing Sheets



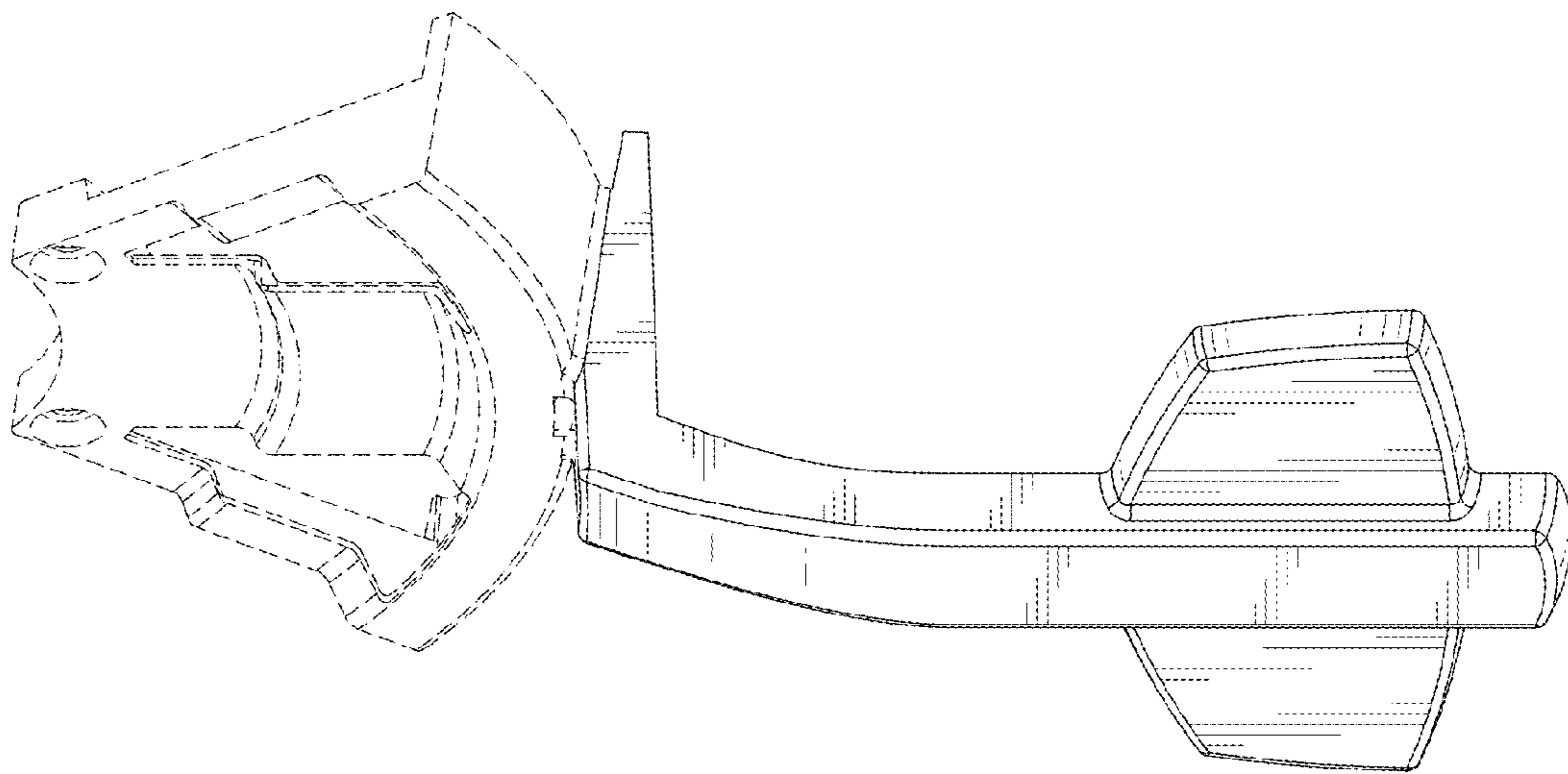


FIG. 1

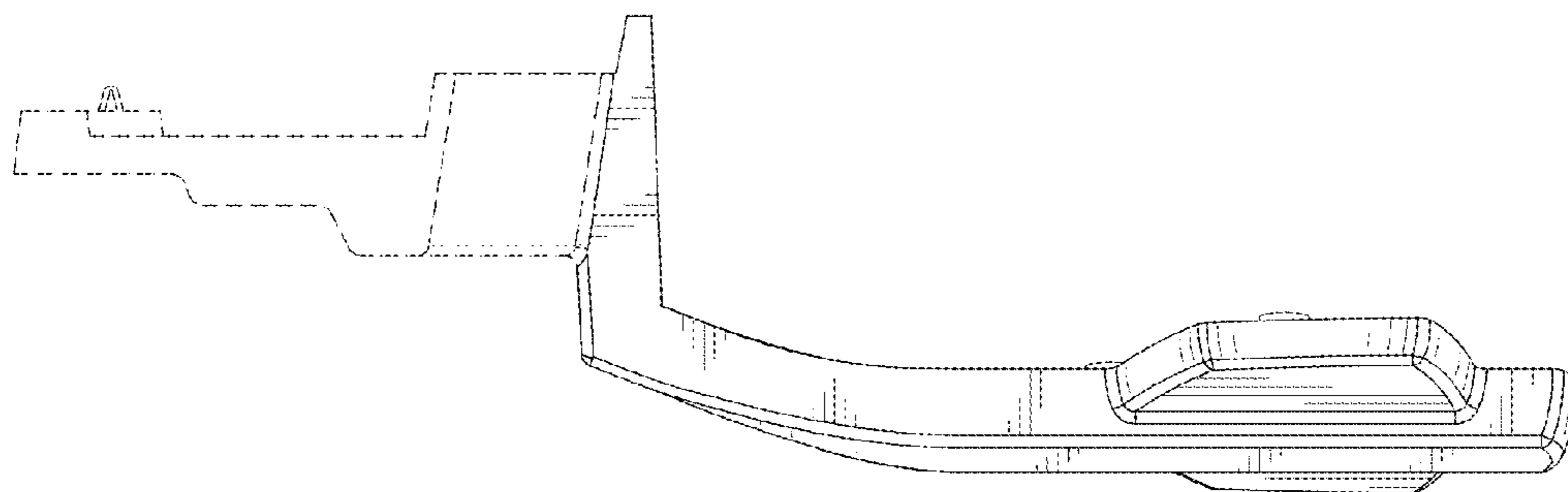


FIG. 2

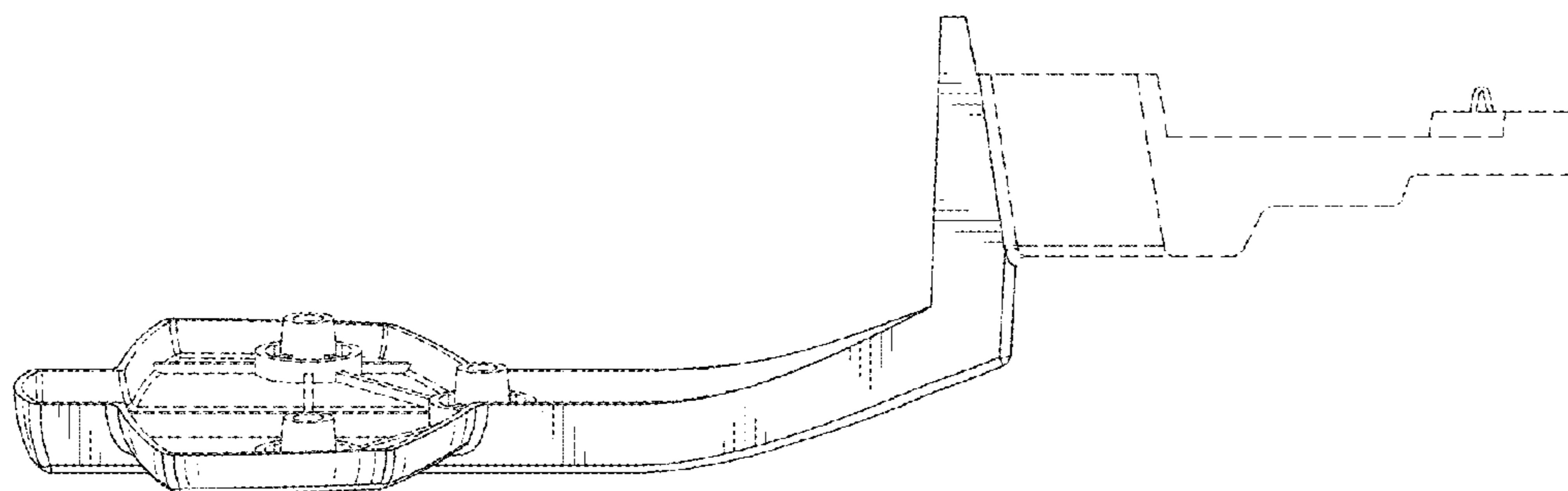


FIG. 3

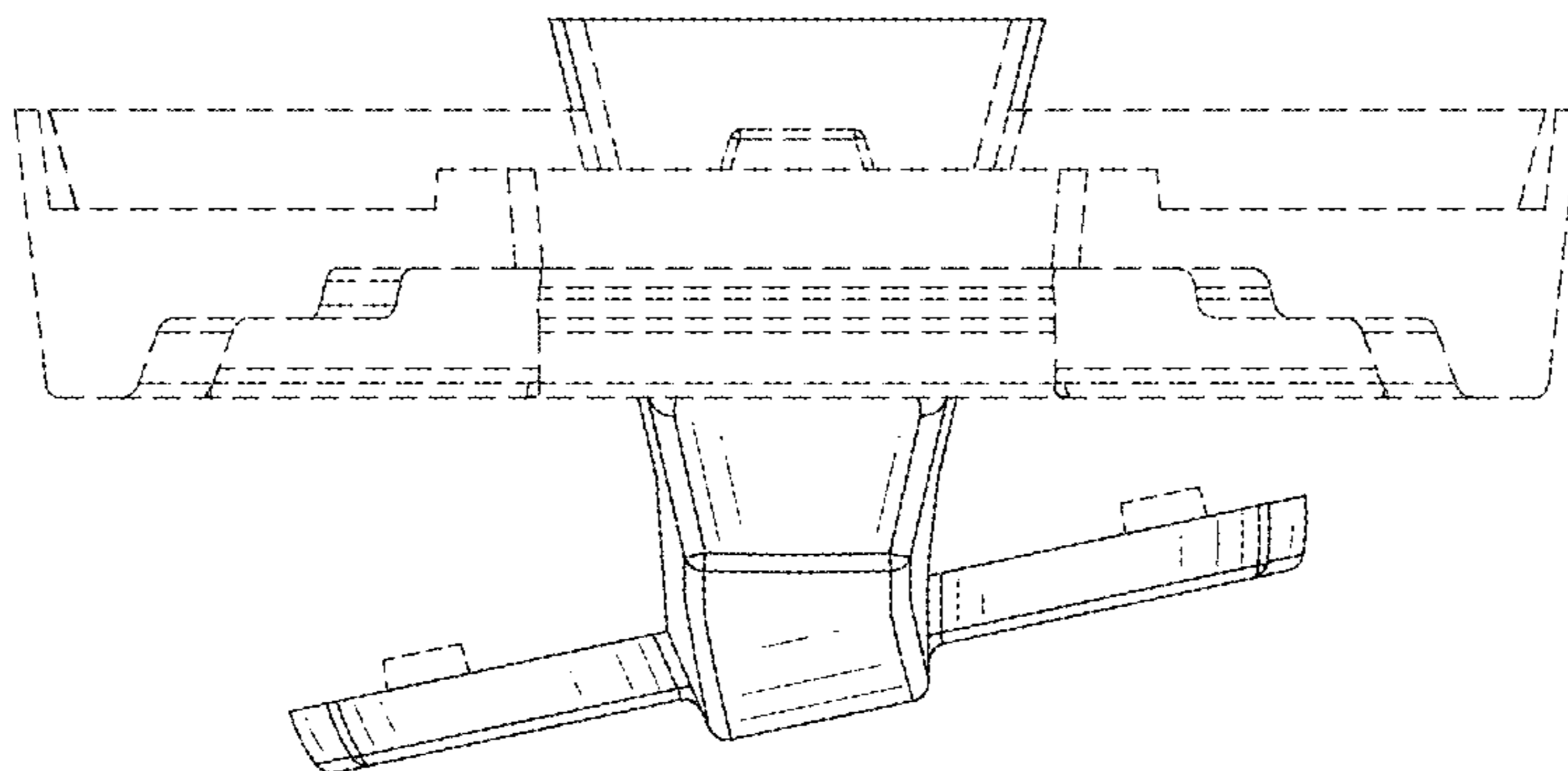


FIG. 4

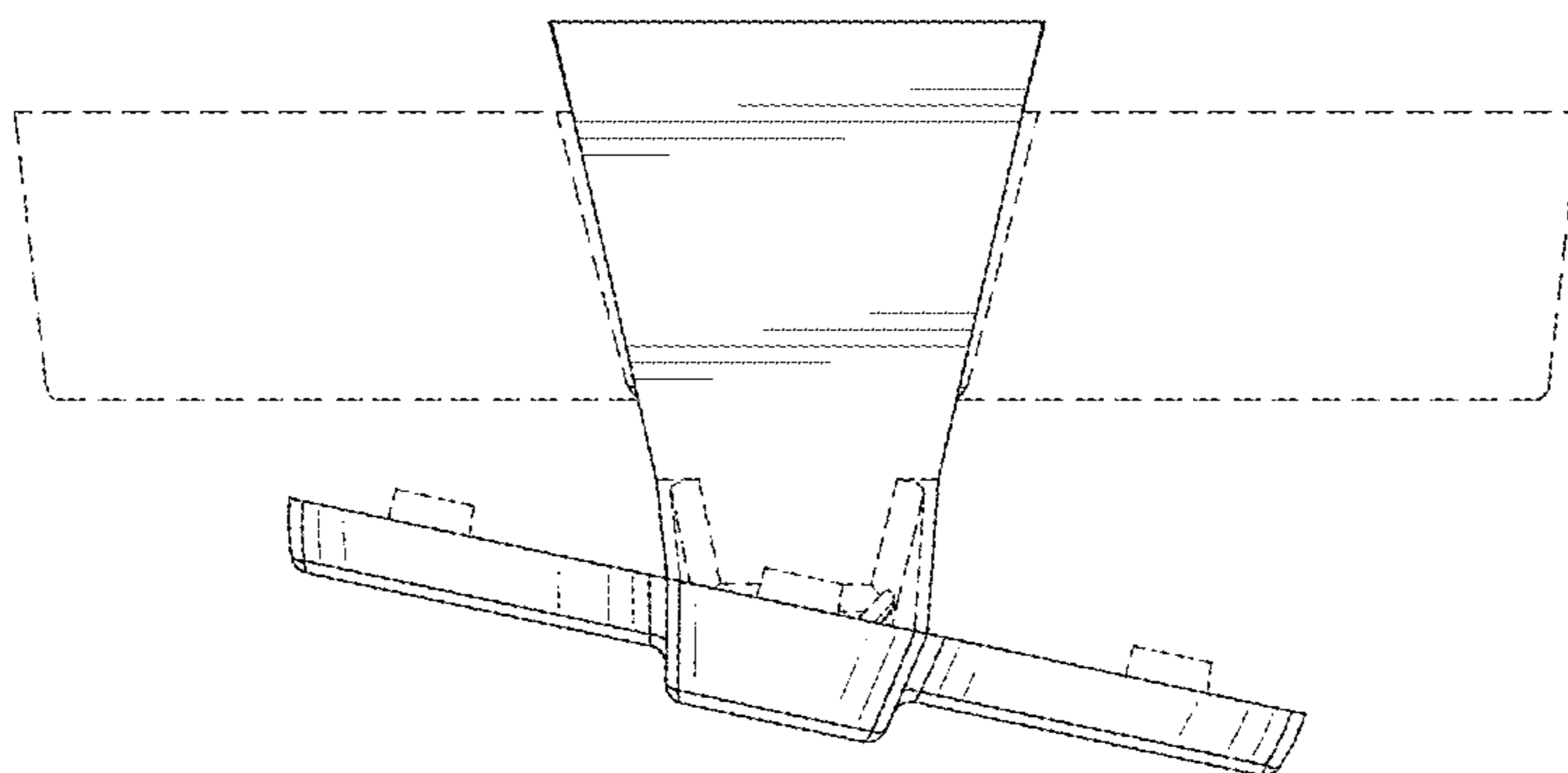


FIG. 5

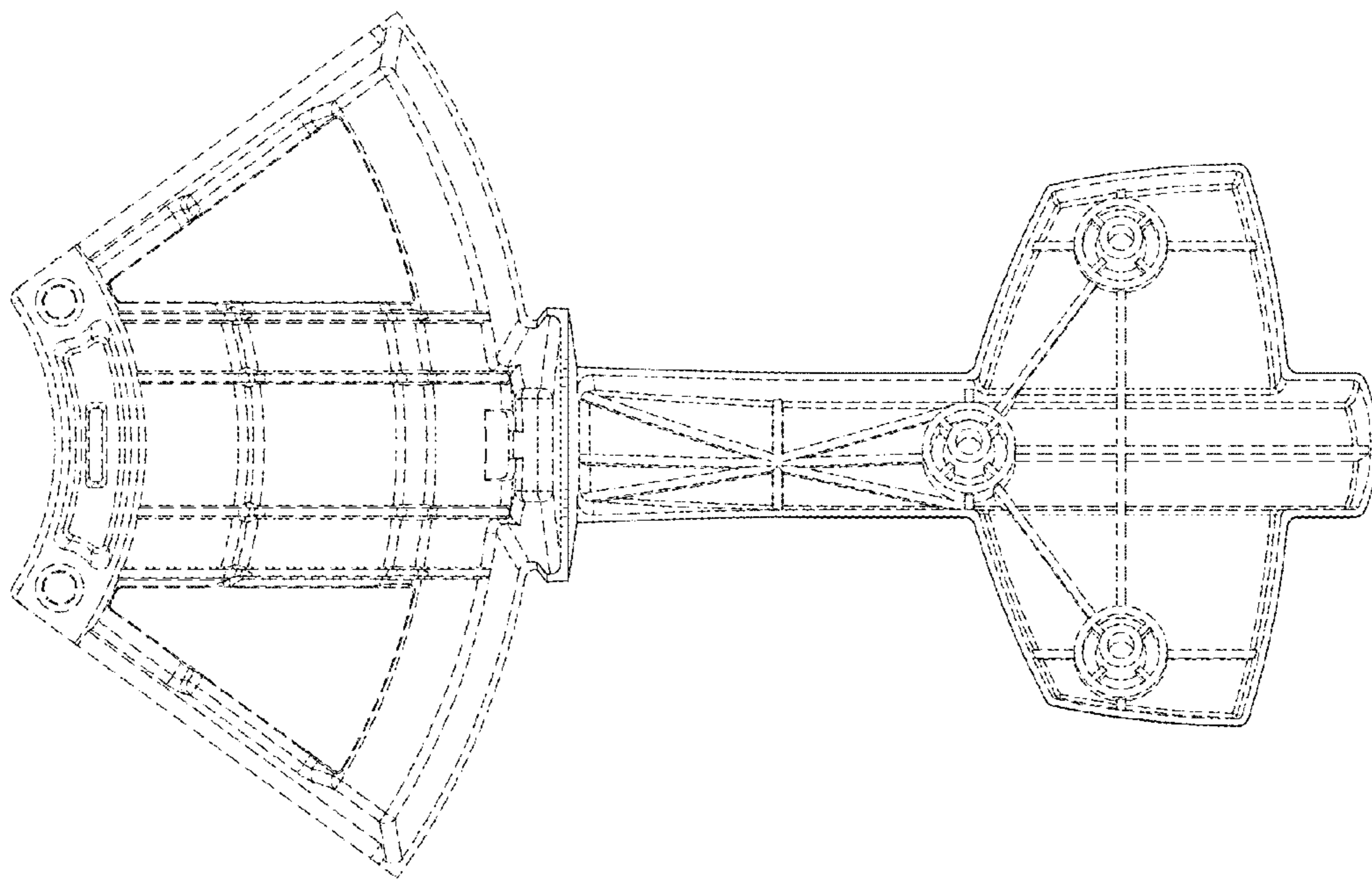


FIG. 6

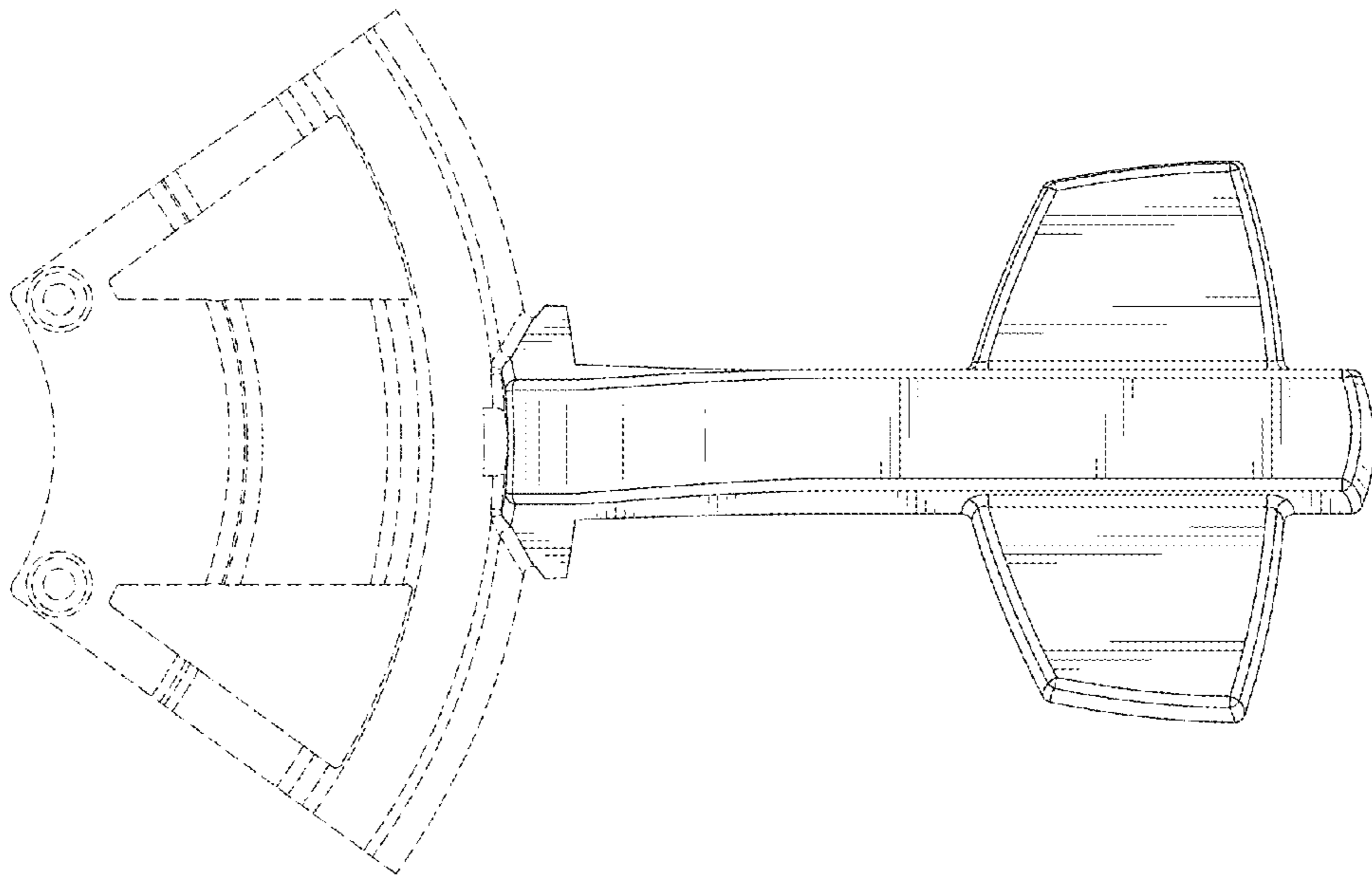


FIG. 7

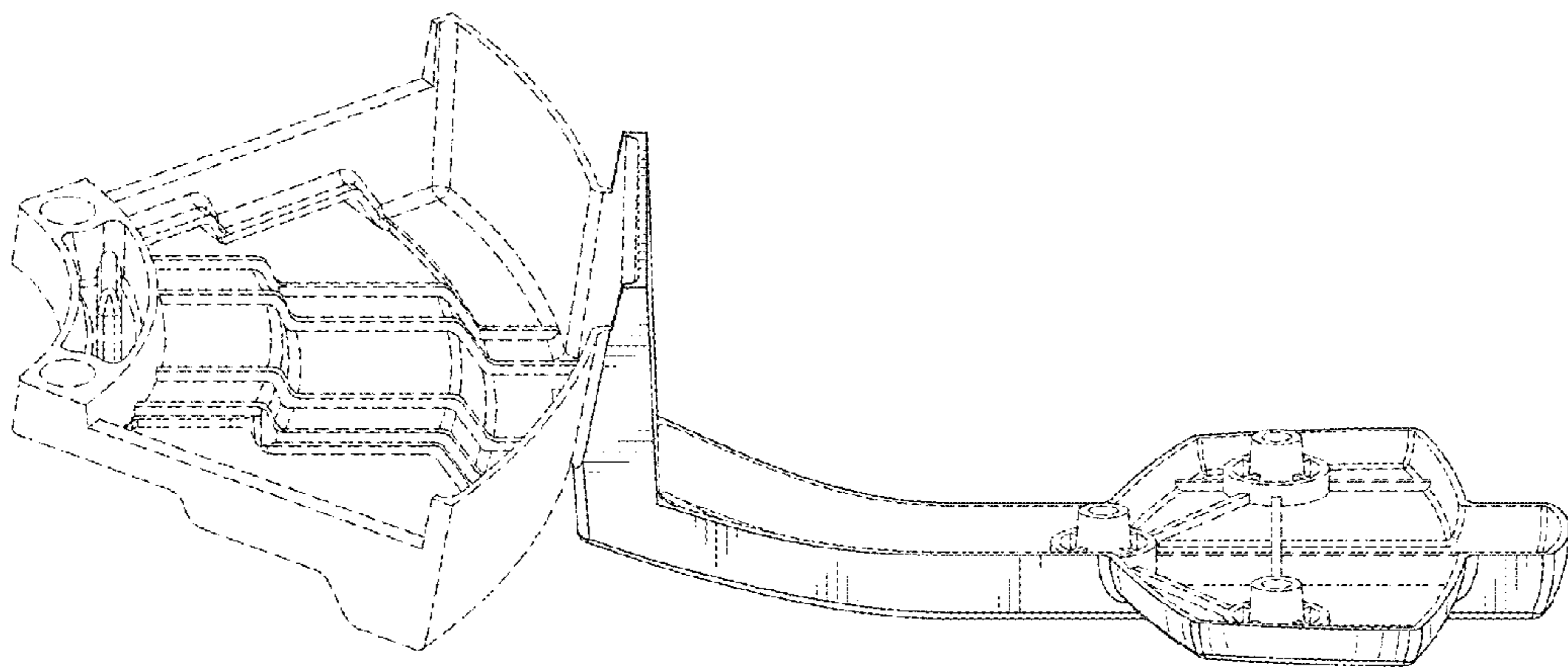


FIG. 8