



US00D745655S

(12) **United States Design Patent**
Pickett et al.

(10) **Patent No.:** **US D745,655 S**
(45) **Date of Patent:** **** Dec. 15, 2015**

- (54) **CEILING FAN MOTOR HOUSING**
- (71) Applicant: **YOUNGO LIMITED**, Hong Kong (HK)
- (72) Inventors: **Mark Pickett**, Altadena, CA (US); **Fred Cohen**, Los Angeles, CA (US)
- (73) Assignee: **YOUNGO LIMITED**, Central (HK)
- (**) Term: **14 Years**

- (21) Appl. No.: **29/495,845**
- (22) Filed: **Jul. 3, 2014**
- (51) **LOC (10) Cl.** **23-04**
- (52) **U.S. Cl.**
USPC **D23/411**
- (58) **Field of Classification Search**
USPC D23/377, 370-376, 378-394, 411-414, D23/499; 416/5, 62, 170 R, 214 R, 184, 206, 416/207, 210 R, 220 R, 241 R, 244 R, 248, 416/223 R, 232, 234, 242; 417/423.1; 392/361, 364; D26/67
CPC F04D 25/088; F04D 29/00; F04D 29/005; F04D 29/34; F04D 29/40
See application file for complete search history.

(56) **References Cited**

U.S. PATENT DOCUMENTS

- D428,180 S * 7/2000 Orellana D26/67
- D523,951 S * 6/2006 Pickett D23/411

- D529,602 S * 10/2006 Glasbrenner D23/411
- D532,510 S * 11/2006 Pickett D23/411
- D545,424 S * 6/2007 Ertze D23/411
- D549,319 S * 8/2007 Shurtleff D23/411
- D554,250 S * 10/2007 Shurtleff D23/411
- D598,091 S * 8/2009 Orozco D23/377
- D627,871 S * 11/2010 Shurtleff D23/411
- D706,918 S * 6/2014 Wang D23/411
- D706,919 S * 6/2014 Wang D23/411
- D707,344 S * 6/2014 Wang D23/411
- D715,918 S * 10/2014 Pan D23/411

* cited by examiner

Primary Examiner — Susan Bennett Hattan

Assistant Examiner — Marie Fast Horse

(74) *Attorney, Agent, or Firm* — Bruce Stone LLP; Joseph Bruce

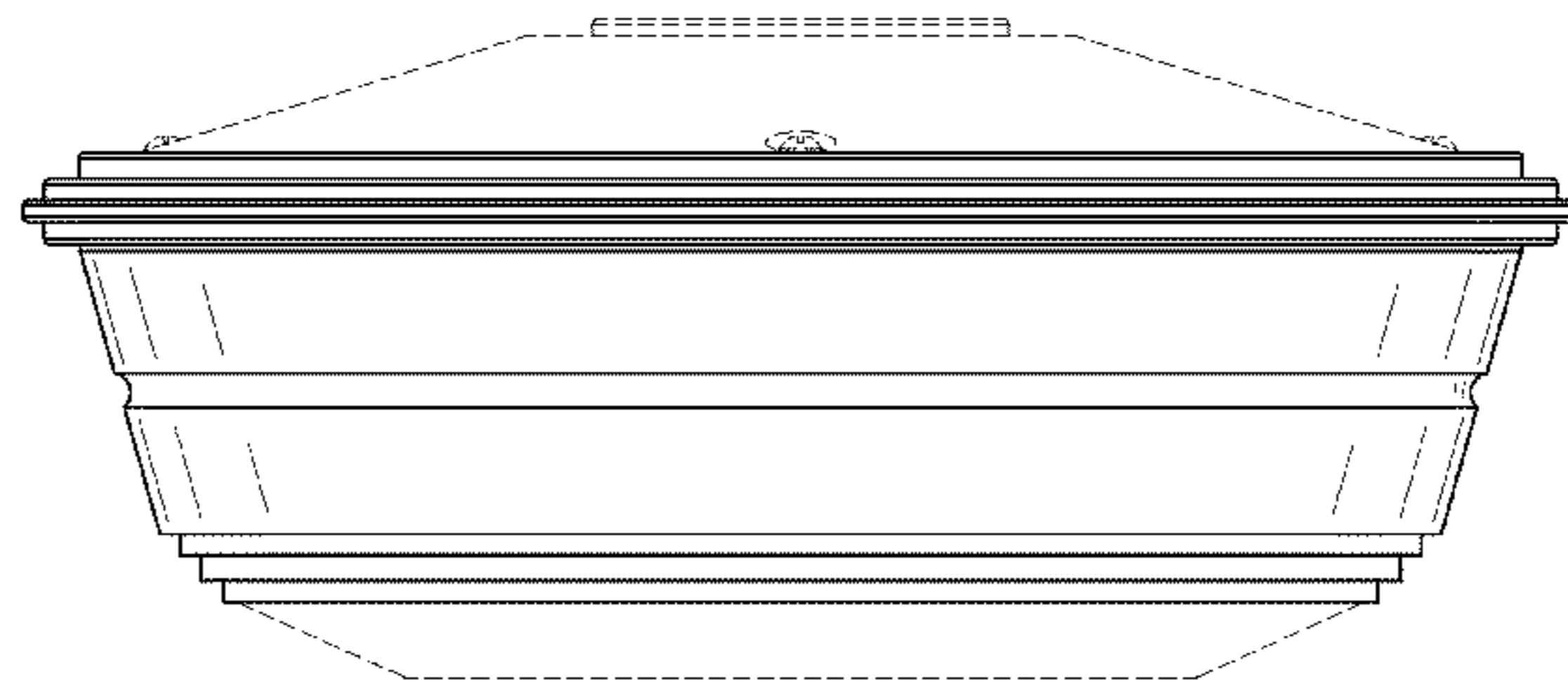
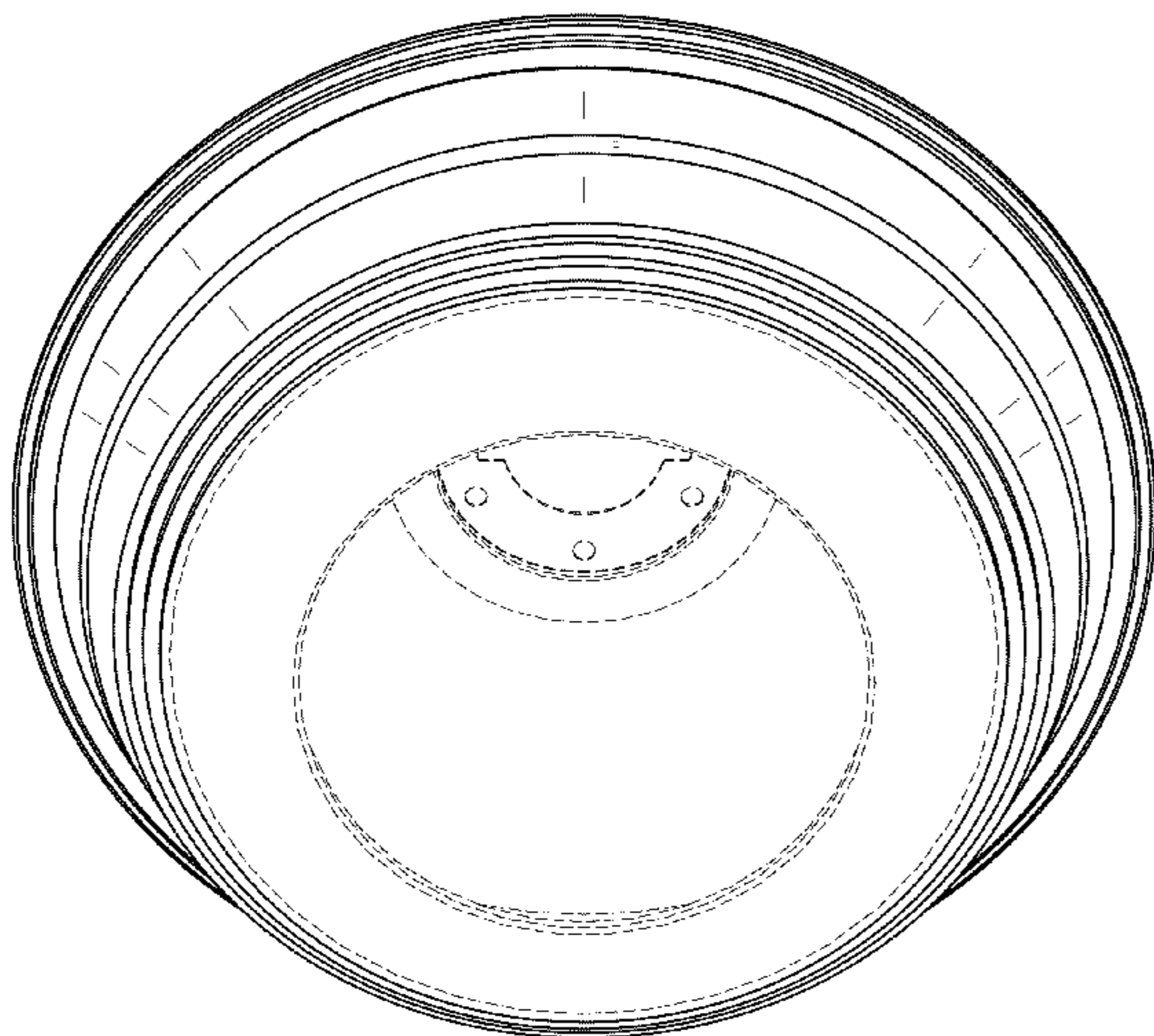
(57) **CLAIM**

The ornamental design for ceiling fan motor housing, as shown and described.

DESCRIPTION

FIG. 1 is a perspective view of the present design;
 FIG. 2 is a front view of the present design, the rear view of the present design being a mirror image thereof;
 FIG. 3 is a left side view of the present design, the right view of the present design being a mirror image thereof;
 FIG. 4 is a top view of the present design;
 FIG. 5 is bottom view of the present design; and,
 FIG. 6 is another perspective view of the present design.
 The broken lines in the drawings depict parts of the ceiling fan motor housing that form no part of the claimed design.

1 Claim, 6 Drawing Sheets



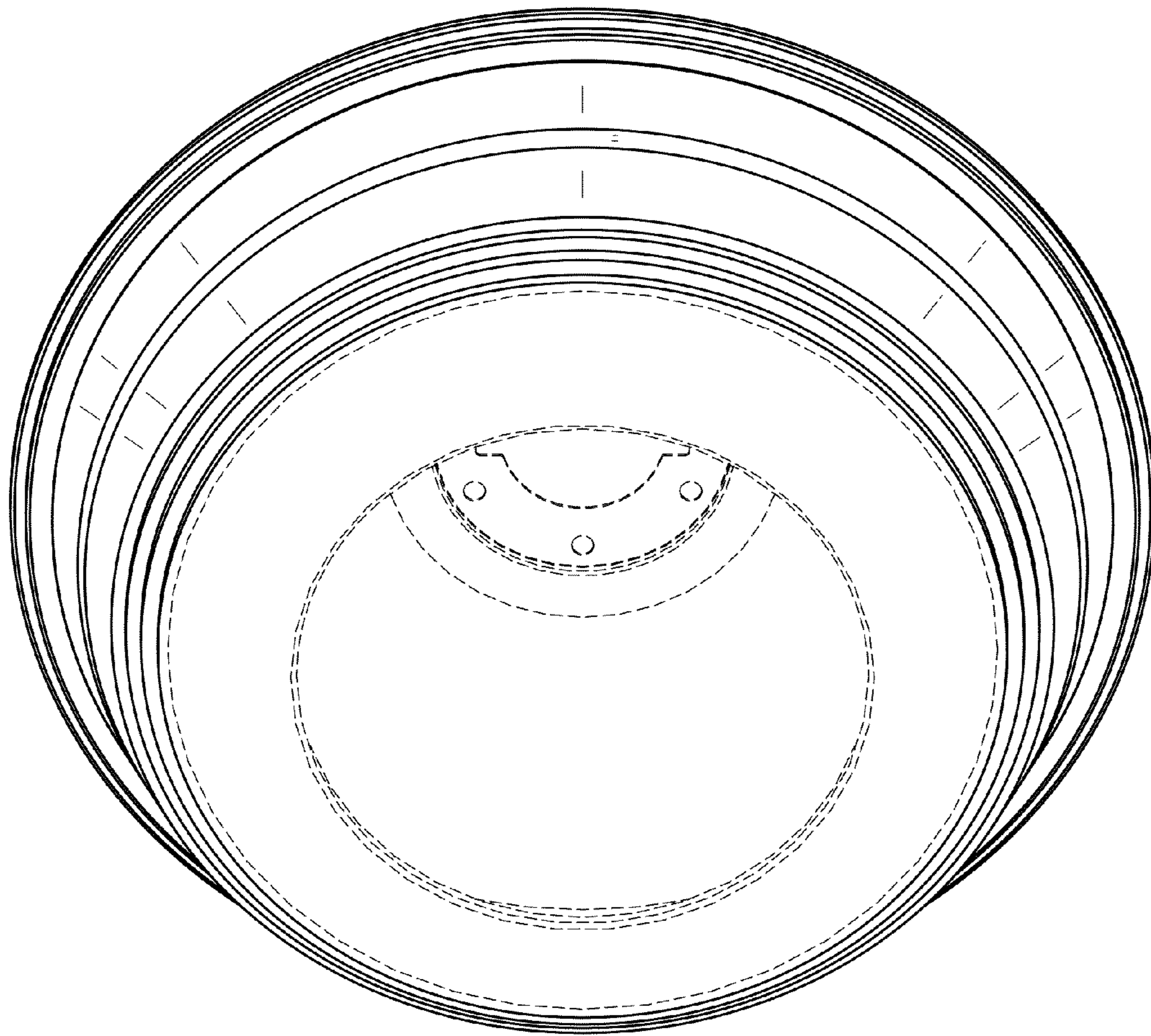


FIG. 1

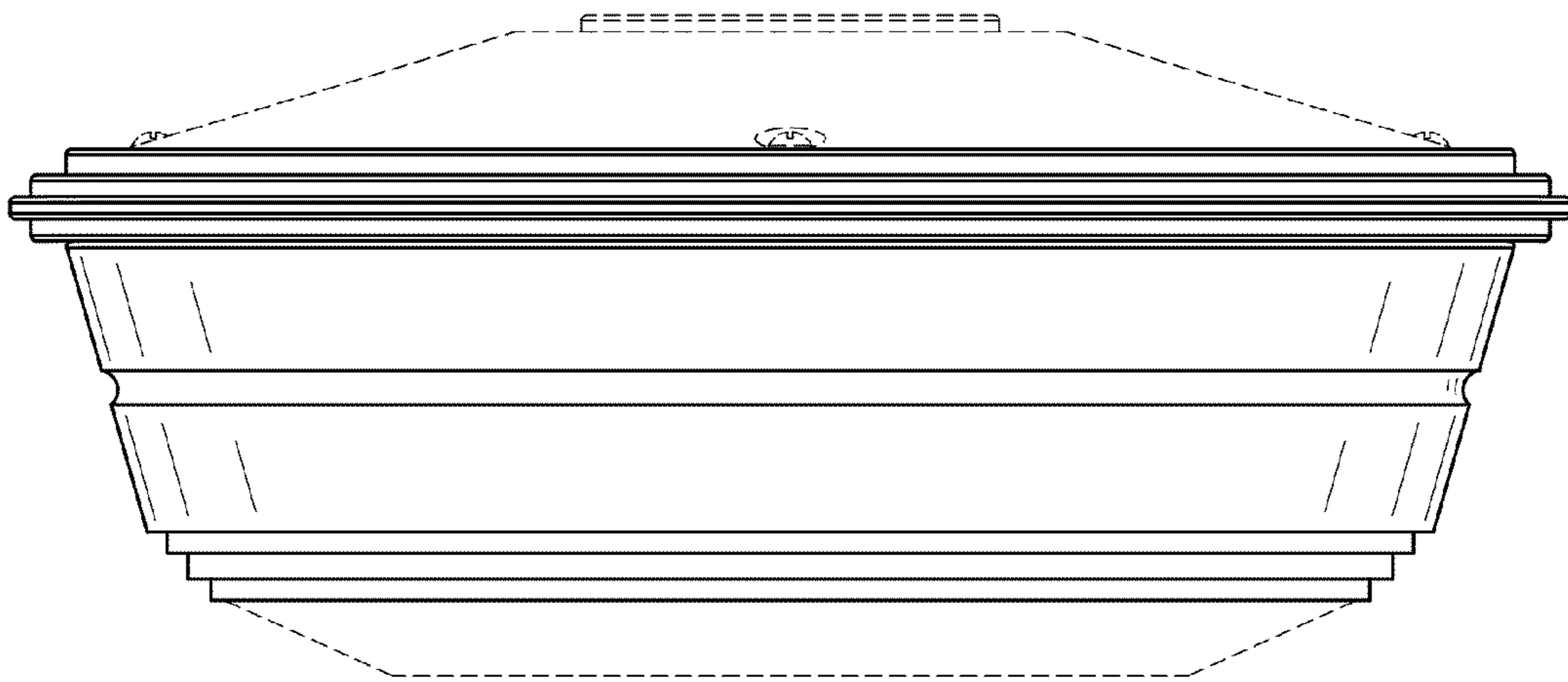


FIG. 2

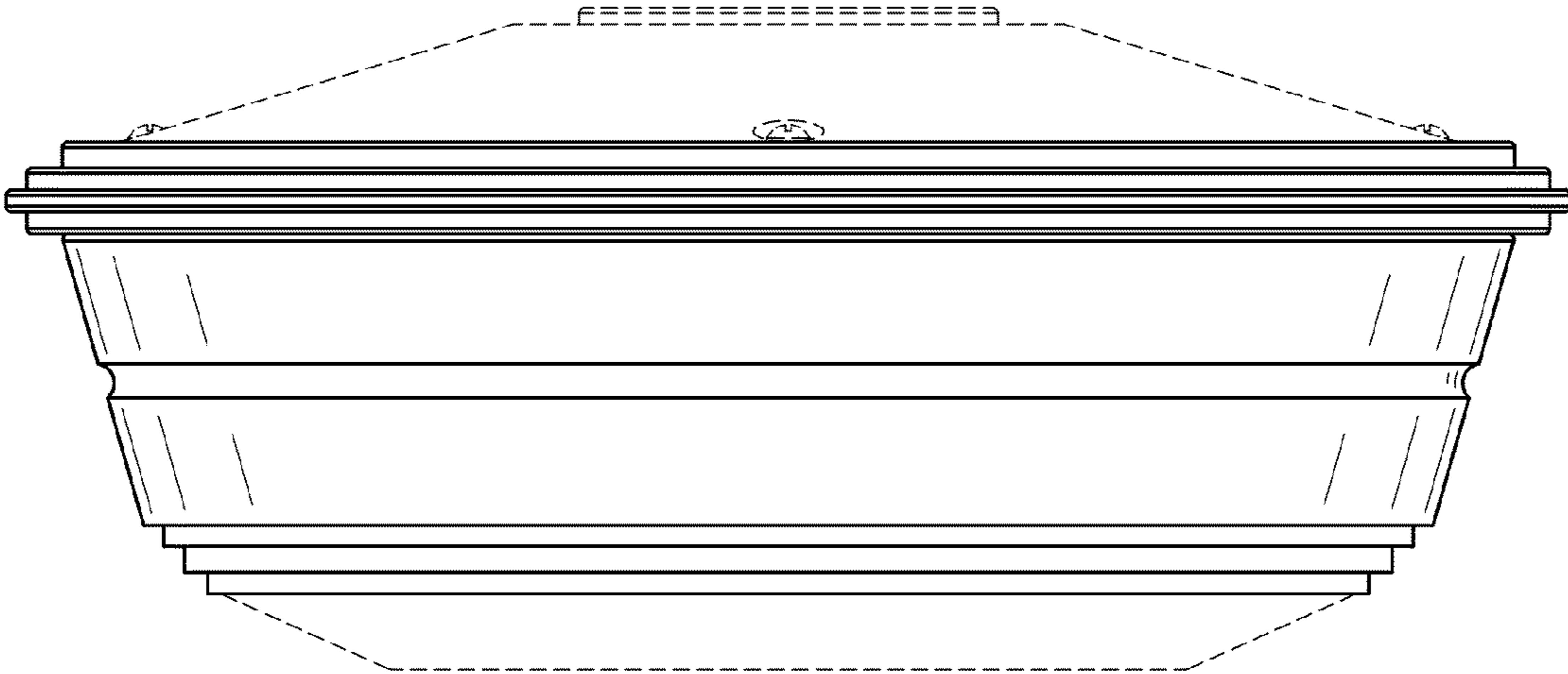


FIG. 3

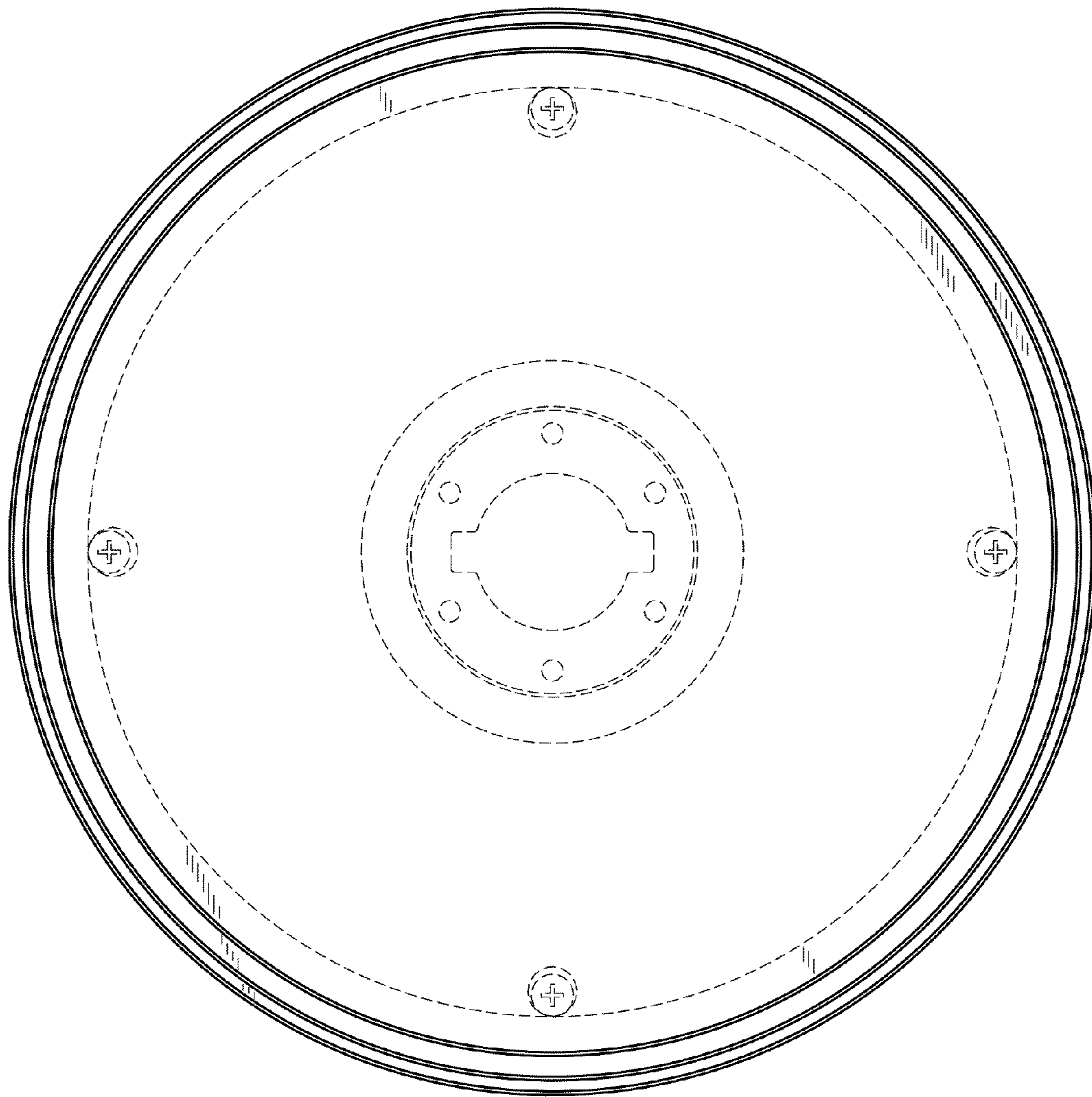


FIG. 4

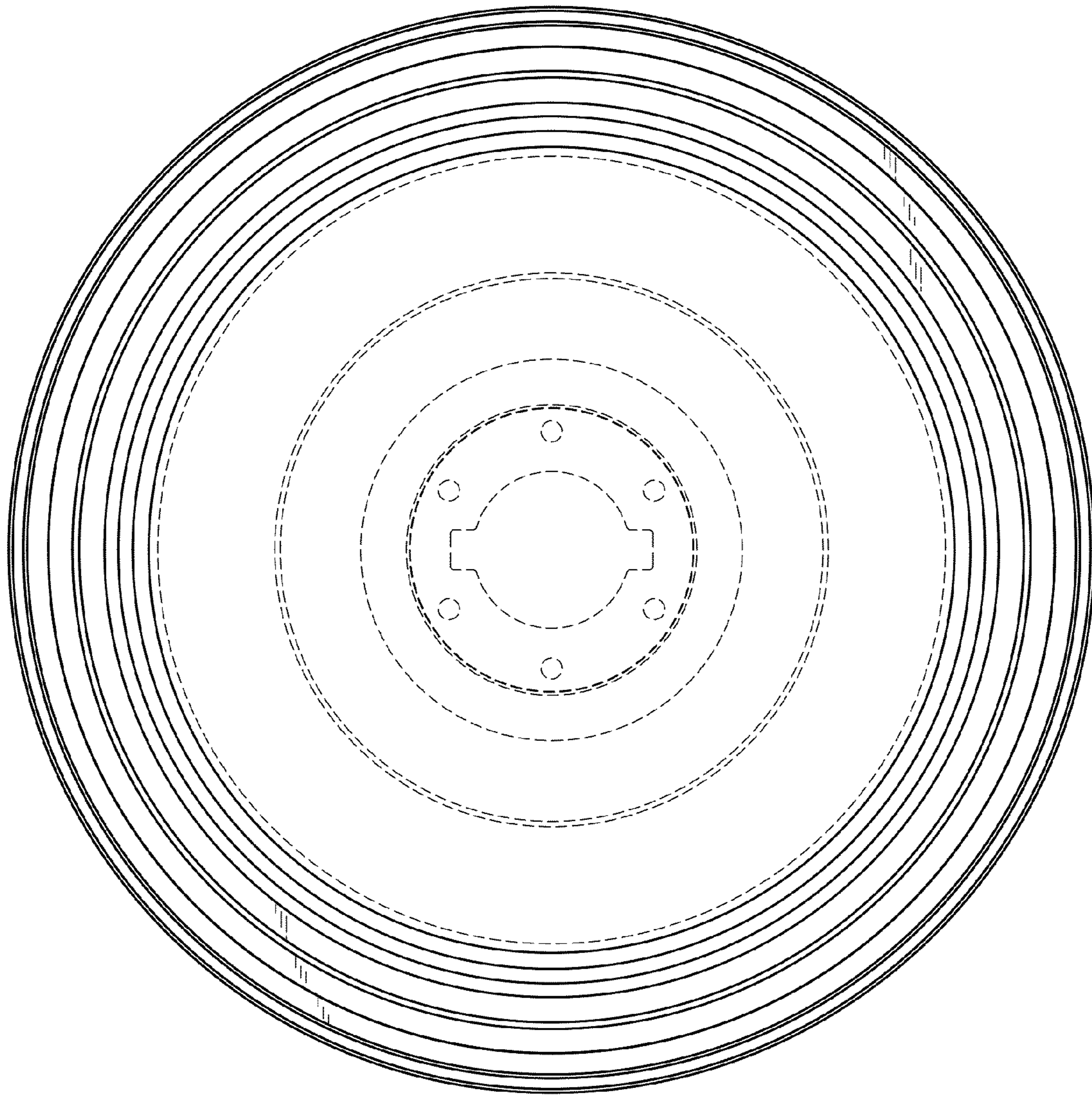


FIG. 5

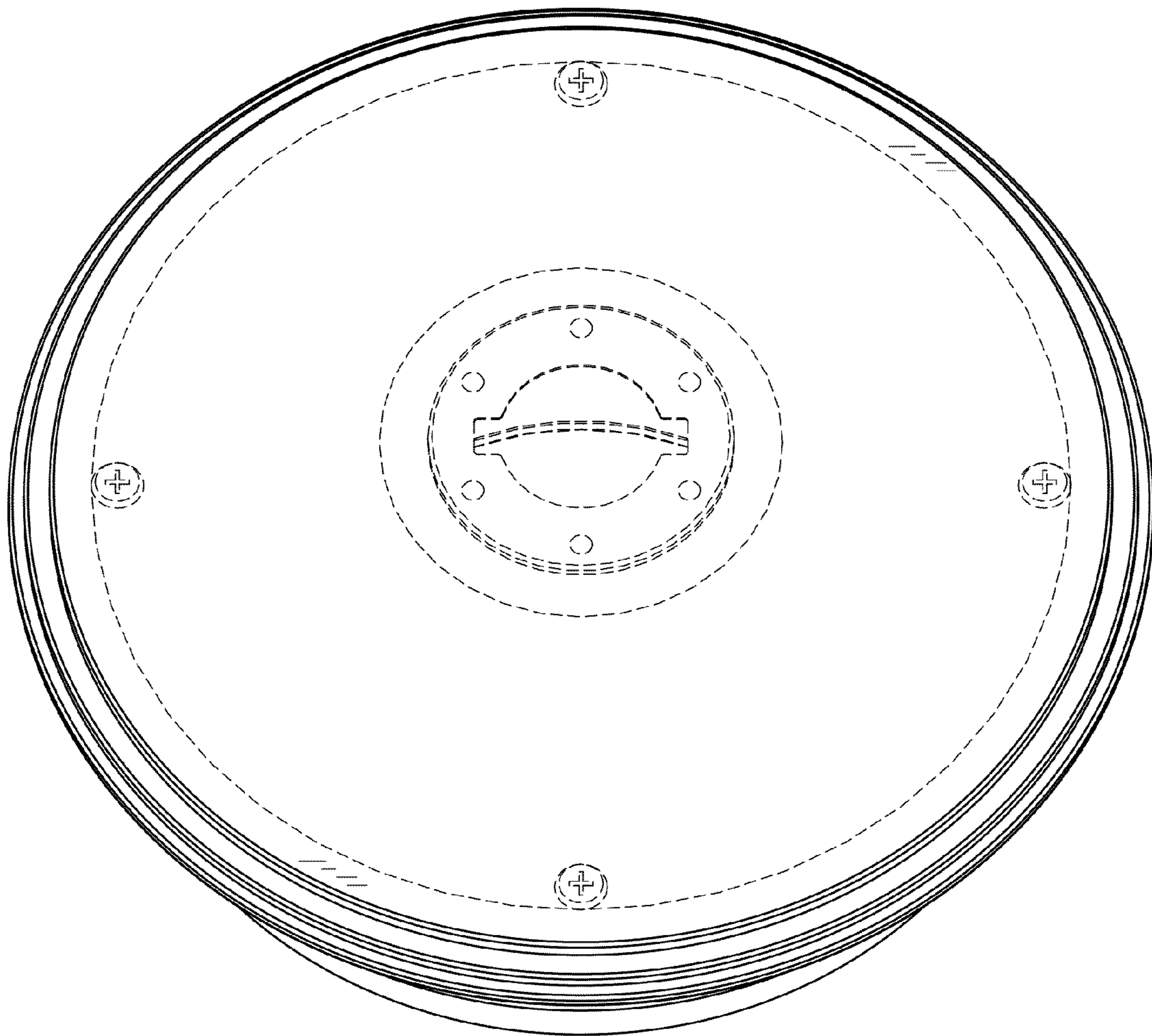


FIG. 6