



US00D745653S

(12) **United States Design Patent**
Wang

(10) **Patent No.:** **US D745,653 S**

(45) **Date of Patent:** **** Dec. 15, 2015**

- (54) **CEILING FAN BLADE HOLDER**
- (71) Applicant: **YOUNGO LIMITED**, Hong Kong (HK)
- (72) Inventor: **Cliff Wang**, Taichung (TW)
- (73) Assignee: **YOUNGO LIMITED**, Central (HK)
- (**) Term: **14 Years**
- (21) Appl. No.: **29/494,978**
- (22) Filed: **Jun. 25, 2014**
- (51) **LOC (10) Cl.** **23-04**
- (52) **U.S. Cl.**
USPC **D23/411**
- (58) **Field of Classification Search**
USPC D23/377, 370-376, 378-394, 411-414, D23/499; D12/214, 305, 319, 339, 344, D12/345; 416/5, 62, 170 R, 214 R, 184, 206, 416/207, 210 R, 220 R, 241 R, 244 R, 248, 416/223 R, 232, 234, 242; 417/423.1; 392/364; D26/59; D8/327, 328, 343, D8/349, 363, 376, 378, 380
CPC ... F04D 25/088; F04D 29/263; F04D 29/266; F04D 29/322; F04D 29/34; F04D 29/36; F04D 29/362; F04D 29/364; F04D 29/366; F04D 29/368; F04D 29/384; F04D 29/60; F01D 5/30; F21V 33/0096
See application file for complete search history.

- (56) **References Cited**
U.S. PATENT DOCUMENTS
D70,744 S * 8/1926 Dlouhy D8/378
D70,833 S * 8/1926 Dlouhy D8/365
D76,771 S * 11/1928 Boye D8/376
D78,361 S * 4/1929 Matosian D8/378
D84,004 S * 4/1931 Smith D8/378

- D375,548 S * 11/1996 Holbrook D23/379
- D378,403 S * 3/1997 Jaspers-Fayer D23/377
- D387,974 S * 12/1997 Smiley et al. D8/378
- D408,908 S * 4/1999 Tsuji D23/377
- D434,490 S * 11/2000 Tsuji D23/377
- D436,659 S * 1/2001 Campbell D23/377
- D456,891 S * 5/2002 Hsieh D23/411
- D482,116 S * 11/2003 Curtin D23/411
- D483,472 S * 12/2003 Hsieh D23/411
- D486,221 S * 2/2004 Hsieh D23/411
- D487,145 S * 2/2004 Hsieh D23/377
- D493,360 S * 7/2004 Graves et al. D8/378
- D522,132 S * 5/2006 Dye D23/411
- D522,644 S * 6/2006 Curtin D23/411
- D522,649 S * 6/2006 Burns D23/411
- D524,931 S * 7/2006 Wang D23/411
- D528,198 S * 9/2006 Dye D23/411
- D533,766 S * 12/2006 Roychowdhury D8/349
- D551,752 S * 9/2007 Ertze D23/411

(Continued)

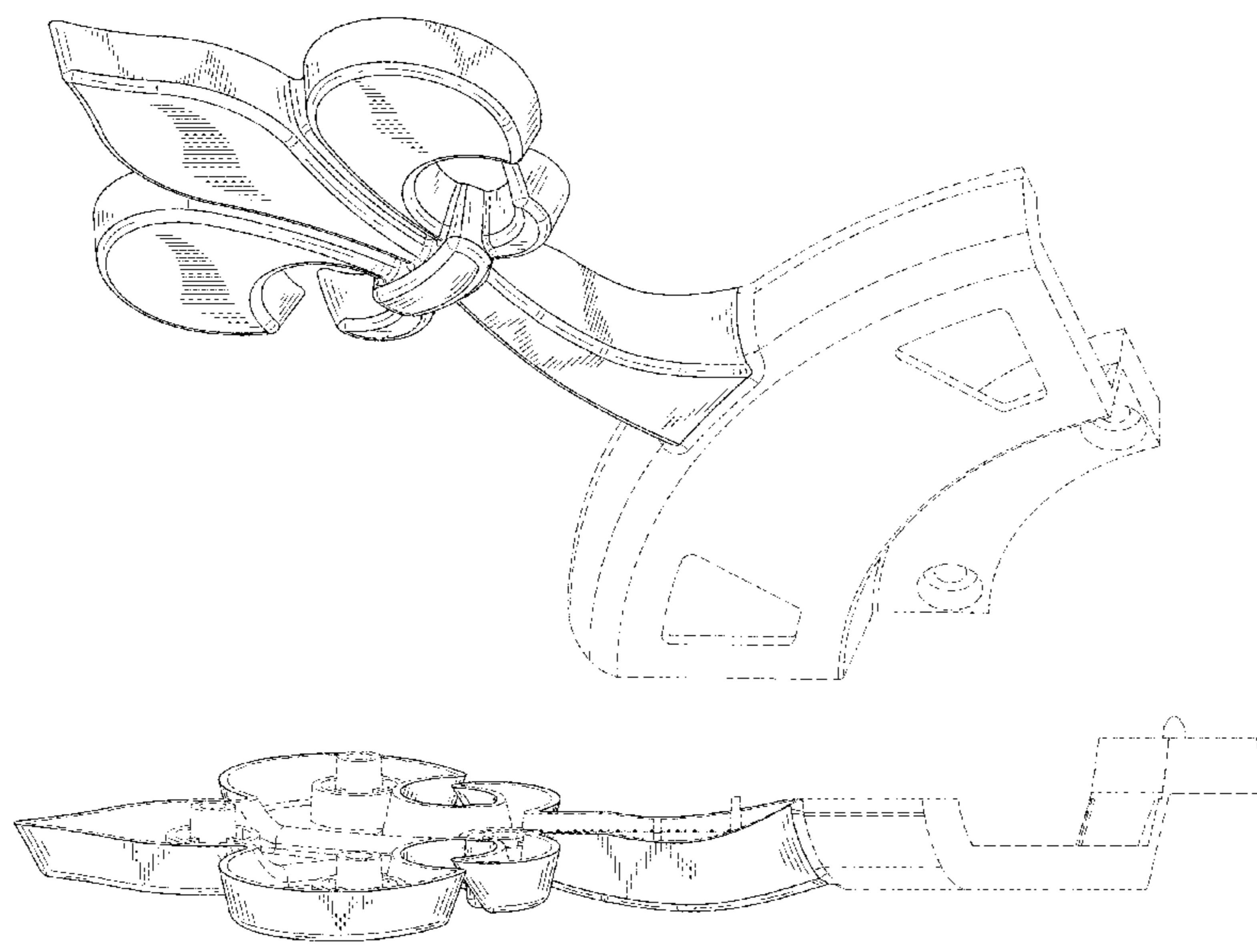
Primary Examiner — Susan Bennett Hattan
Assistant Examiner — Marie Fast Horse
(74) *Attorney, Agent, or Firm* — Bruce Stone LLP; Joseph Bruce

(57) **CLAIM**
The ornamental design for a ceiling fan blade holder, as shown and described.

DESCRIPTION

FIG. 1 is a perspective view of the present design; FIG. 2 is a front view of the present design; FIG. 3 is a rear view of the present design; FIG. 4 is a left side view of the present design; FIG. 5 is a right side view of the present design; FIG. 6 is a top view of the present design; and, FIG. 7 is a bottom view of the present design. The broken lines in the drawings depict a part of the ceiling fan blade holder that forms no part of the claimed design.

1 Claim, 5 Drawing Sheets



(56)

References Cited

U.S. PATENT DOCUMENTS

D551,754 S * 9/2007 Lee D23/411
D556,891 S * 12/2007 Brookins D23/411
D562,969 S * 2/2008 Pickett D23/411
D570,990 S * 6/2008 Hidalgo D23/411

D602,149 S * 10/2009 Curtin D23/411
D602,152 S * 10/2009 Dye D23/411
RE43,629 E * 9/2012 Wu 403/315
2004/0037702 A1 * 2/2004 Wu F04D 25/088
416/206

* cited by examiner

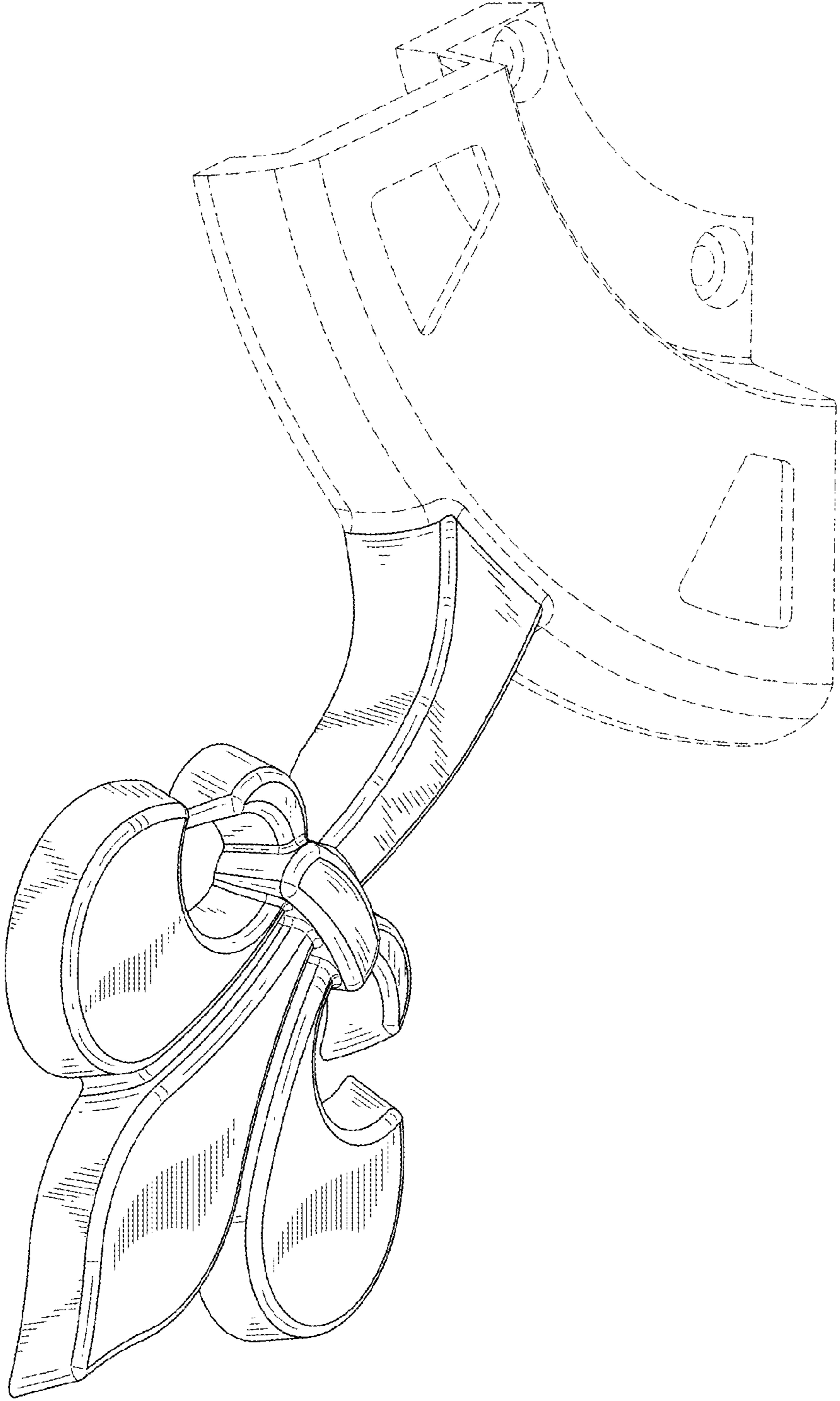


FIG. 1

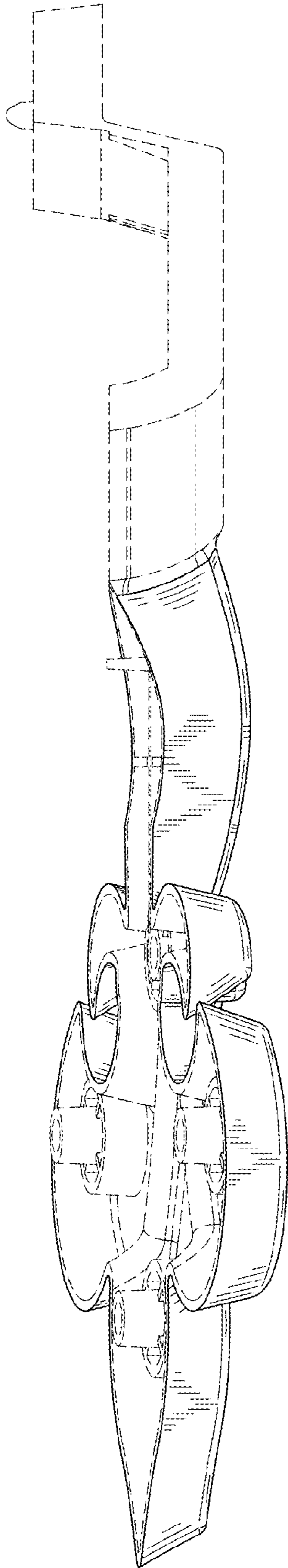


FIG. 2

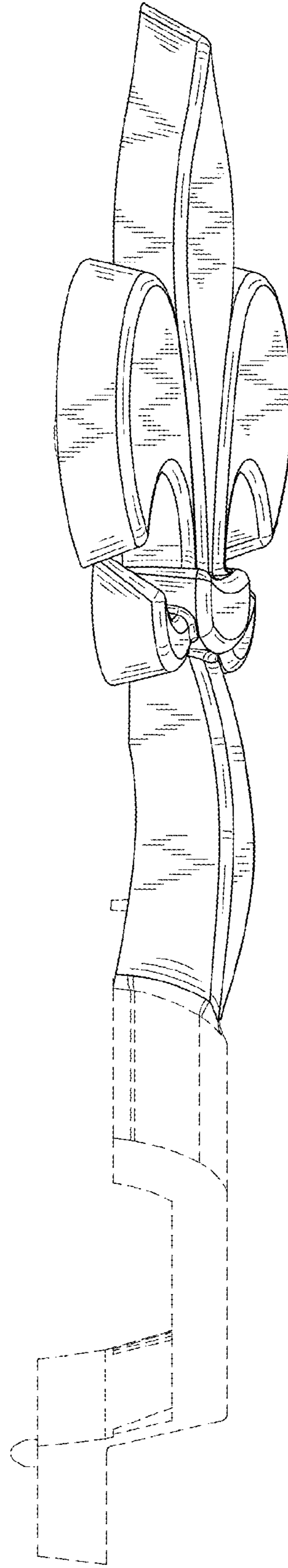


FIG. 3

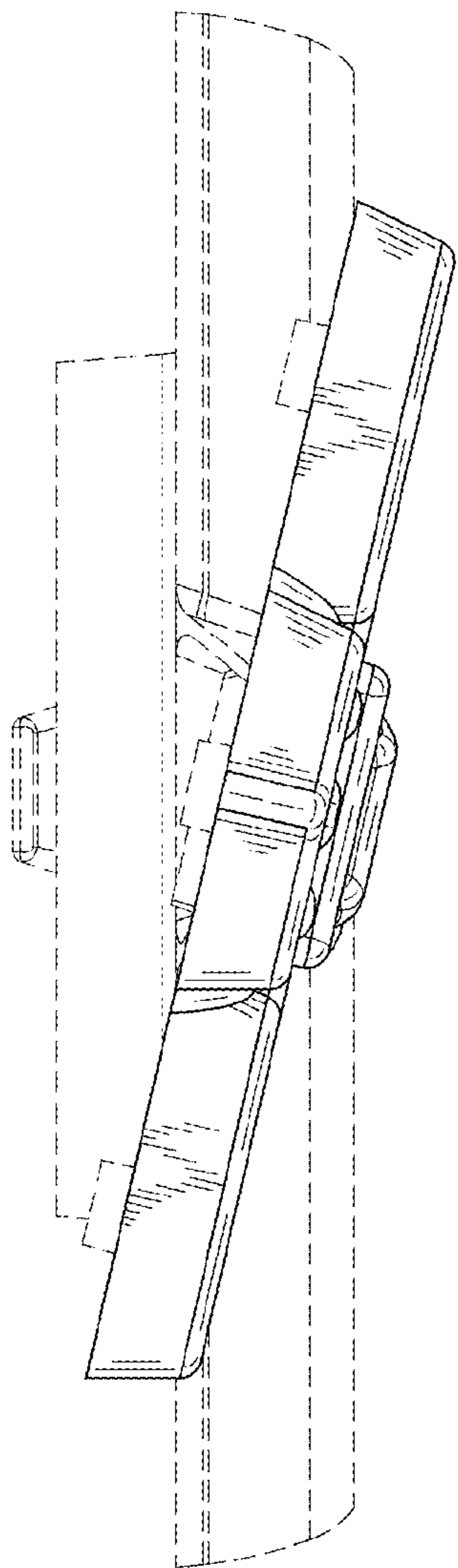


FIG. 4

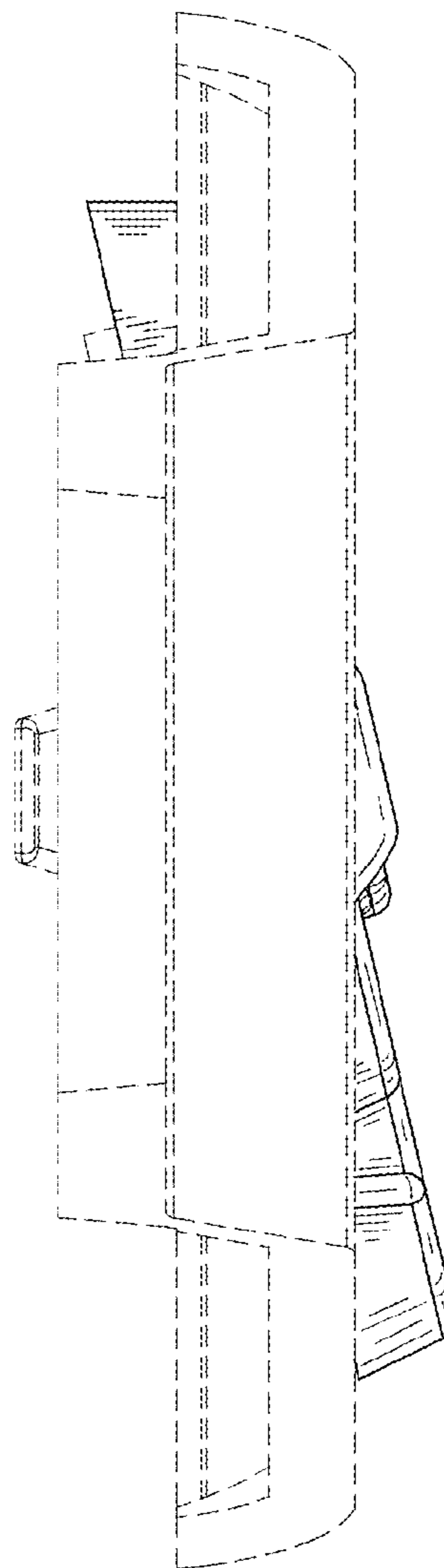


FIG. 5

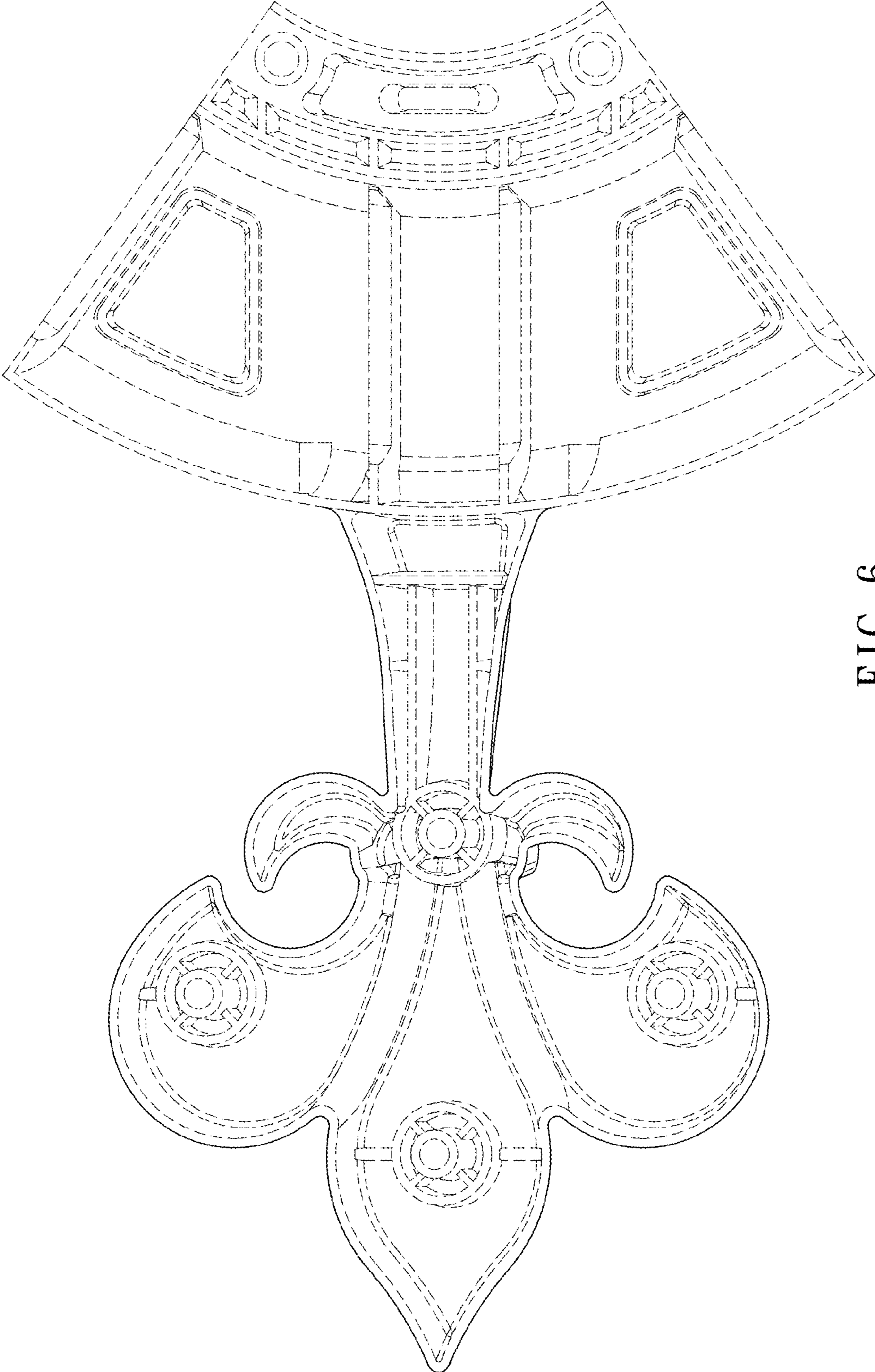


FIG. 6

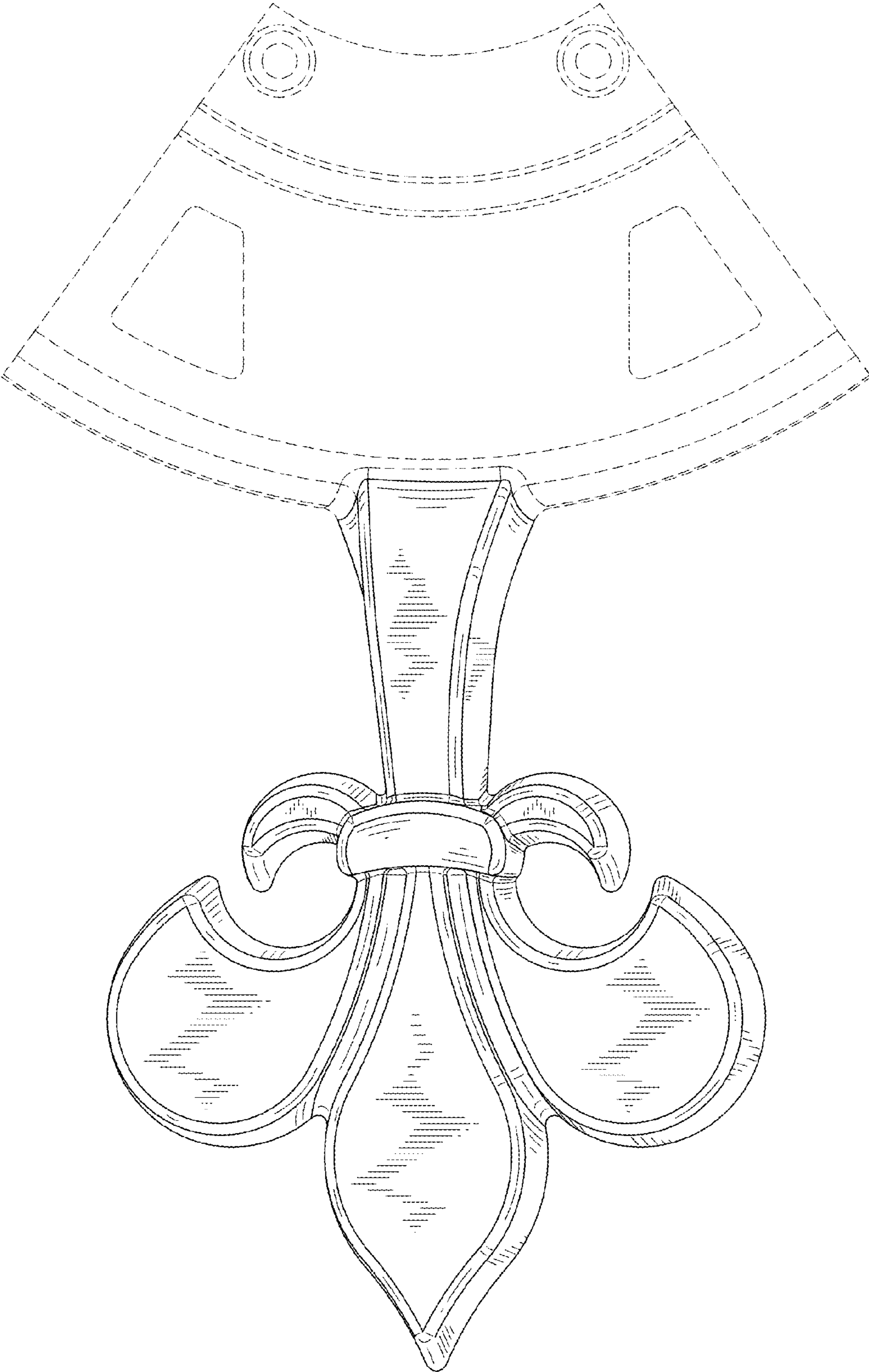


FIG. 7