



US00D745646S

(12) **United States Design Patent**
Schonherr et al.

(10) **Patent No.:** **US D745,646 S**

(45) **Date of Patent:** **** Dec. 15, 2015**

(54) **DROP IN SINK**

(71) Applicant: **Ronbow Corporation**, Fremont, CA
(US)

(72) Inventors: **Thomas Schonherr**, Stuttgart (DE);
Andreas Diefenbach, Stuttgart (DE);
Sven Feustel, Stuttgart (DE)

(73) Assignee: **Ronbow Corporation**, Fremont, CA
(US)

(**) Term: **14 Years**

(21) Appl. No.: **29/515,834**

(22) Filed: **Jan. 27, 2015**

(51) **LOC (10) Cl.** **23-02**

(52) **U.S. Cl.**
USPC **D23/284**

(58) **Field of Classification Search**
USPC D23/271-274, 284, 286, 291-293.1,
D23/303, 308
CPC E03C 1/00; E03C 1/01; E03C 1/02;
E03C 1/12; E03C 1/18

See application file for complete search history.

(56) **References Cited**

U.S. PATENT DOCUMENTS

D596,719 S *	7/2009	Chen	D23/284
D601,678 S *	10/2009	Soulier	D23/293.1
D646,365 S *	10/2011	Parekh	D23/290
D712,522 S *	9/2014	Chen	D23/284
D735,838 S *	8/2015	Bartlett	D23/290

* cited by examiner

Primary Examiner — Robert Delehanty

(74) *Attorney, Agent, or Firm* — Thomas Schneck

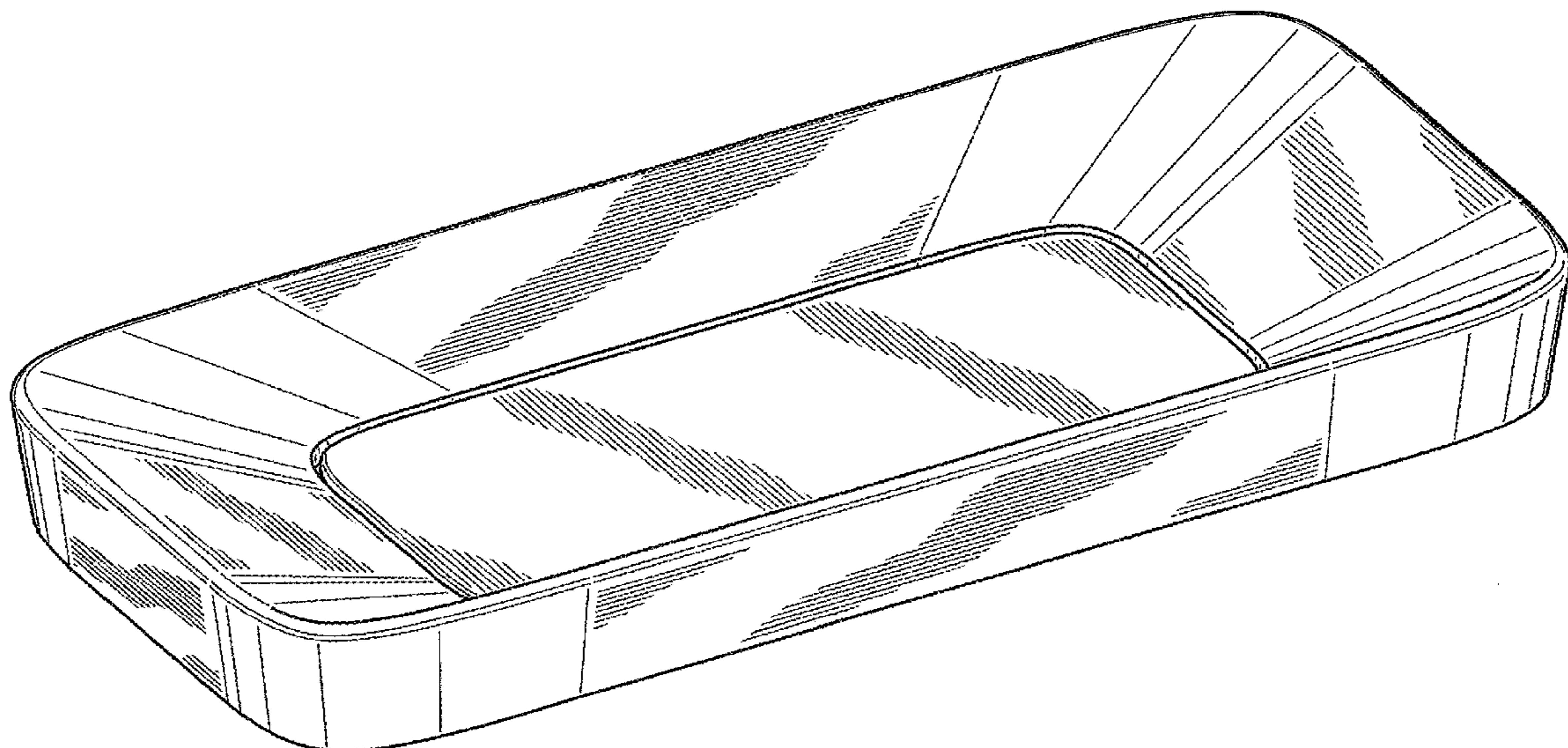
(57) **CLAIM**

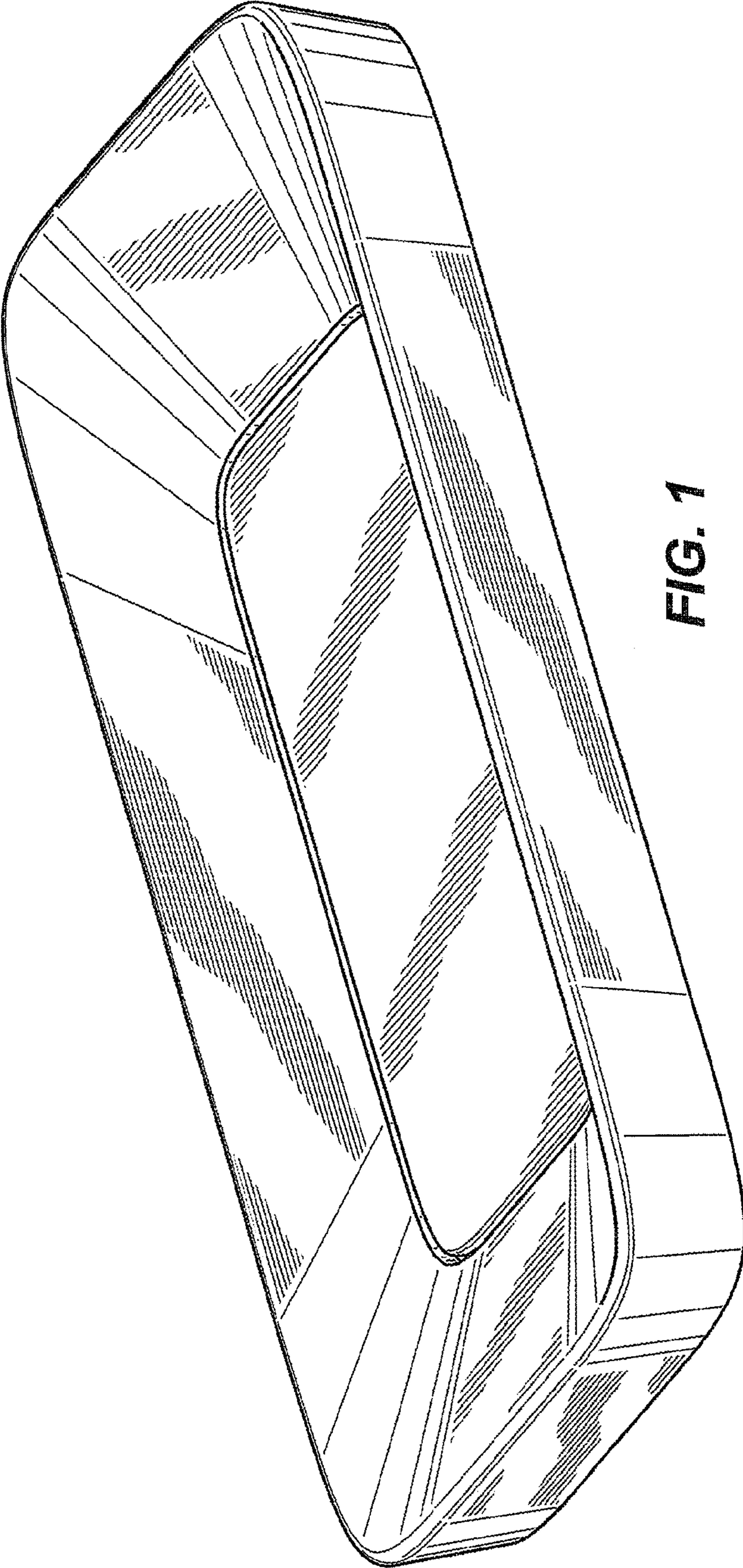
We claim the design for a drop in sink, as shown and described.

DESCRIPTION

FIG. 1 is a top left front perspective view of a drop in sink of our design;
FIG. 2 is a top plan view thereof, the bottom plan view being plain, unornamented and unclaimed;
FIG. 3 is a front elevational view thereof, the rear elevational view being identical thereto;
FIG. 4 is a right side elevational view thereof, the left side being identical thereto;
FIG. 5 is a cross sectional view taken along the line 5-5 in FIG. 2, the dashed lines representing unclaimed features; and,
FIG. 6 is a cross sectional view taken along the line 6-6 in FIG. 2, the dashed lines representing unclaimed features.

1 Claim, 3 Drawing Sheets





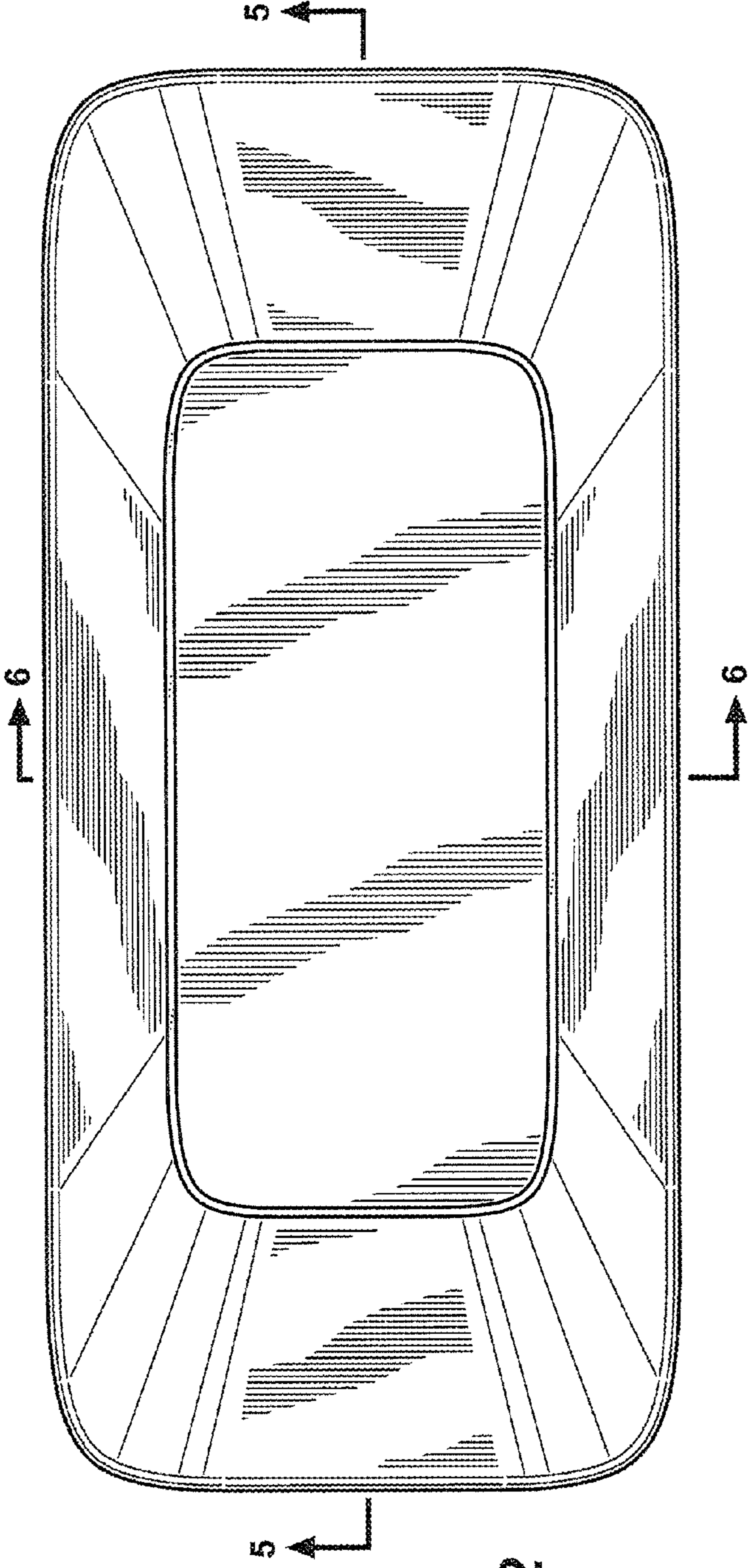


FIG. 2

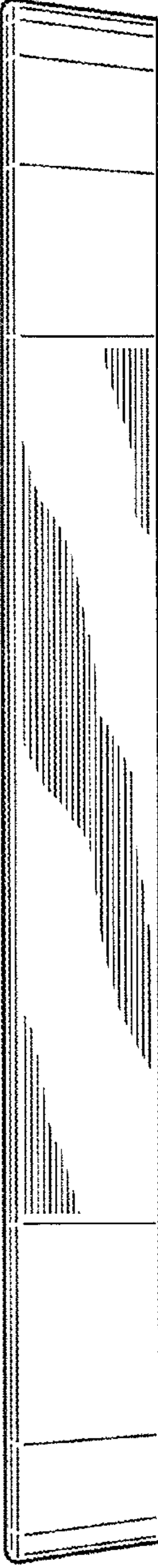


FIG. 3



FIG. 4



FIG. 5

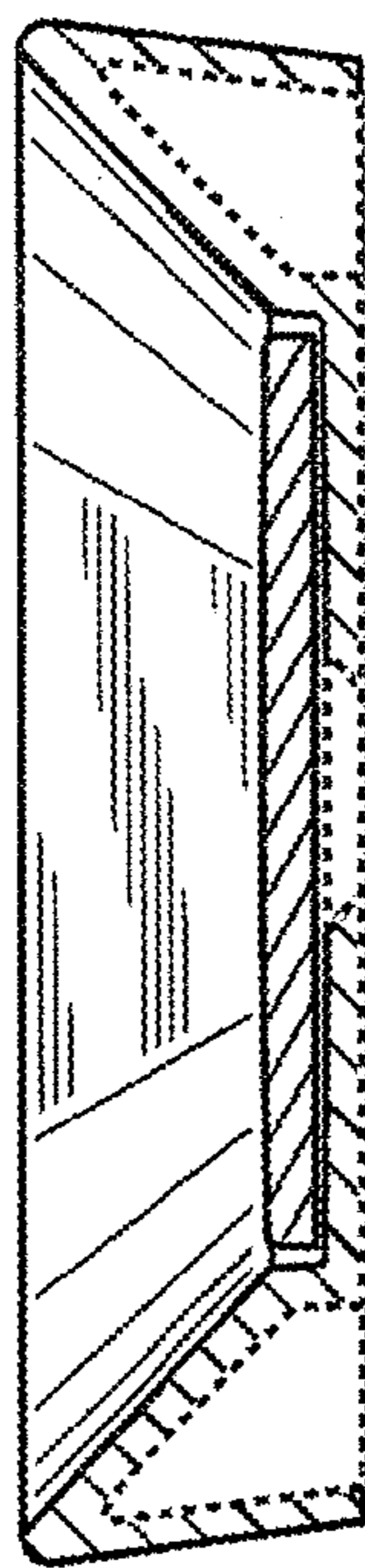


FIG. 6