



US00D745645S

(12) **United States Design Patent**  
**Burke**

(10) **Patent No.:** **US D745,645 S**

(45) **Date of Patent:** **\*\* Dec. 15, 2015**

(54) **BATH TUB**

(71) Applicant: **Victoria & Albert Baths, Limited**,  
Telford, Shropshire (GB)

(72) Inventor: **Tom Burke**, Telford (GB)

(73) Assignee: **Victoria and Albert Baths Limited**,  
Telford, Shropshire (GB)

(\*\*) Term: **14 Years**

(21) Appl. No.: **29/525,966**

(22) Filed: **May 5, 2015**

(30) **Foreign Application Priority Data**

Nov. 11, 2014 (EM) ..... 001424816-0002

(51) **LOC (10) Cl.** ..... **23-02**

(52) **U.S. Cl.**  
USPC ..... **D23/277**

(58) **Field of Classification Search**  
USPC ..... D23/277, 280.1–280.4, 303–306  
CPC ..... A47K 3/00; A47K 4/00  
See application file for complete search history.

(56) **References Cited**

U.S. PATENT DOCUMENTS

4,535,489 A \* 8/1985 Elkins ..... 4/546  
D595,392 S \* 6/2009 Verlinden ..... D23/278  
D724,706 S \* 3/2015 Meneghello et al. .... D23/277

\* cited by examiner

*Primary Examiner* — Robert Delehanty

(74) *Attorney, Agent, or Firm* — Blank Rome LLP

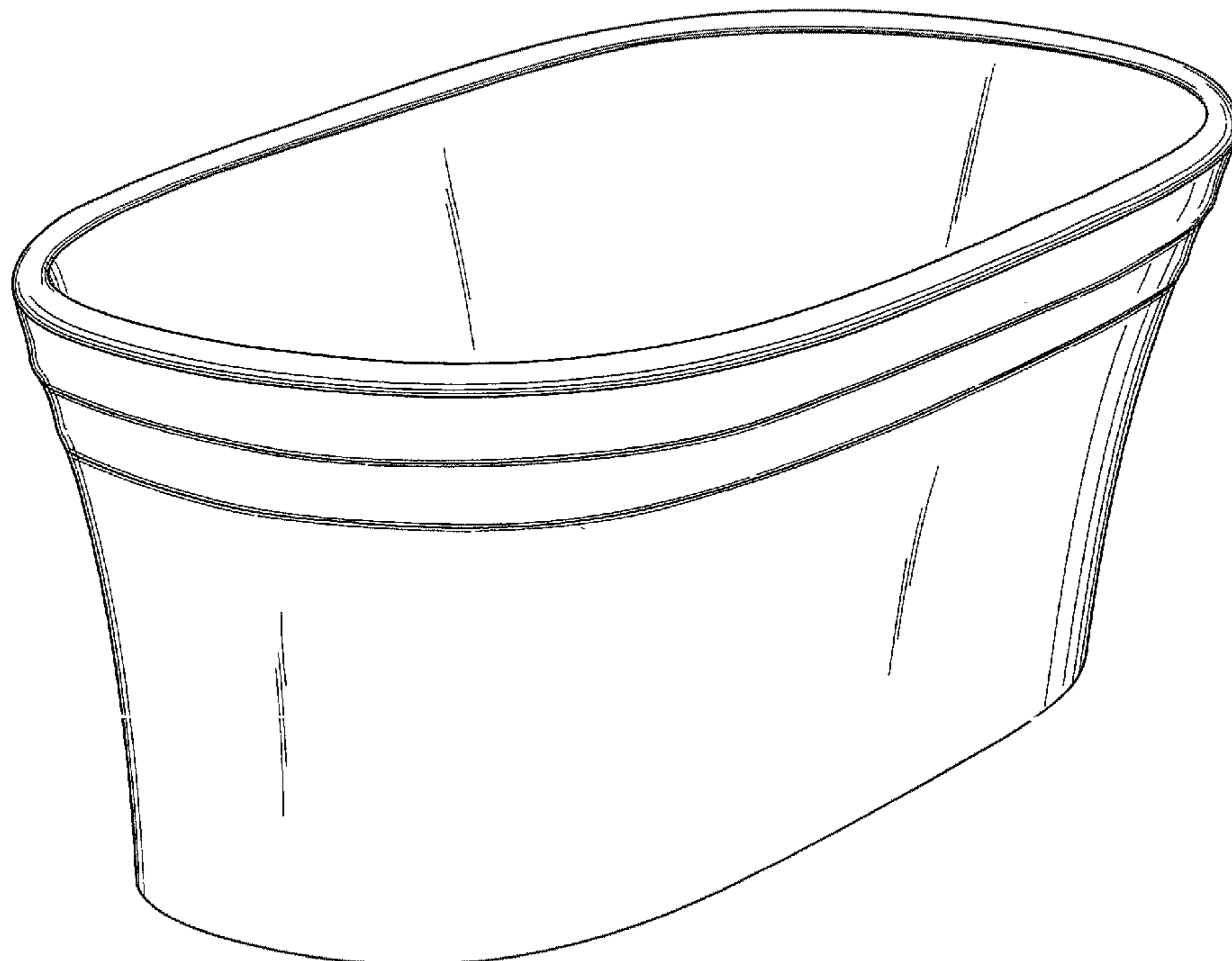
(57) **CLAIM**

I claim an ornamental design for a bath tub, as shown and described.

**DESCRIPTION**

FIG. 1 is a first perspective view of a bath tub of the present design;  
FIG. 2 is a second perspective view of the bath tub of FIG. 1;  
FIG. 3 is a first side view of the bath tub of FIG. 1, a second side view being a mirror image thereof; and  
FIG. 4 is a first end view of the bath tub of FIG. 1, a second end view being a mirror image thereof; and  
FIG. 5 is a top view of the bath tub of FIG. 1; and,  
FIG. 6 is an enlarged portion of the side view of FIG. 3.  
The shading in the figures show contour, not surface ornamentation, and form no part of the claimed design.  
The dashed lines shown in the figures are for illustration only and form no part of the claimed design.

**1 Claim, 6 Drawing Sheets**



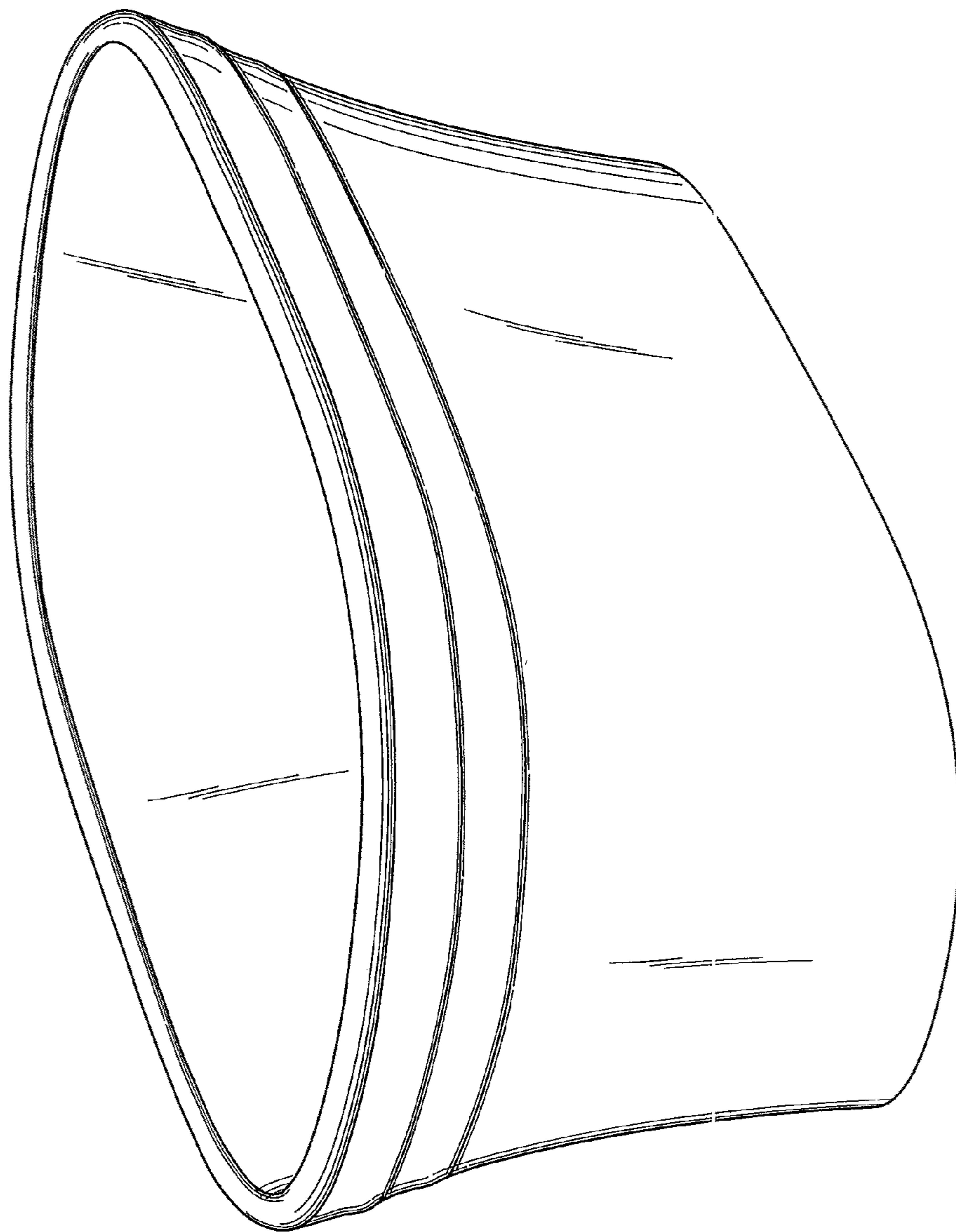


FIG. 1

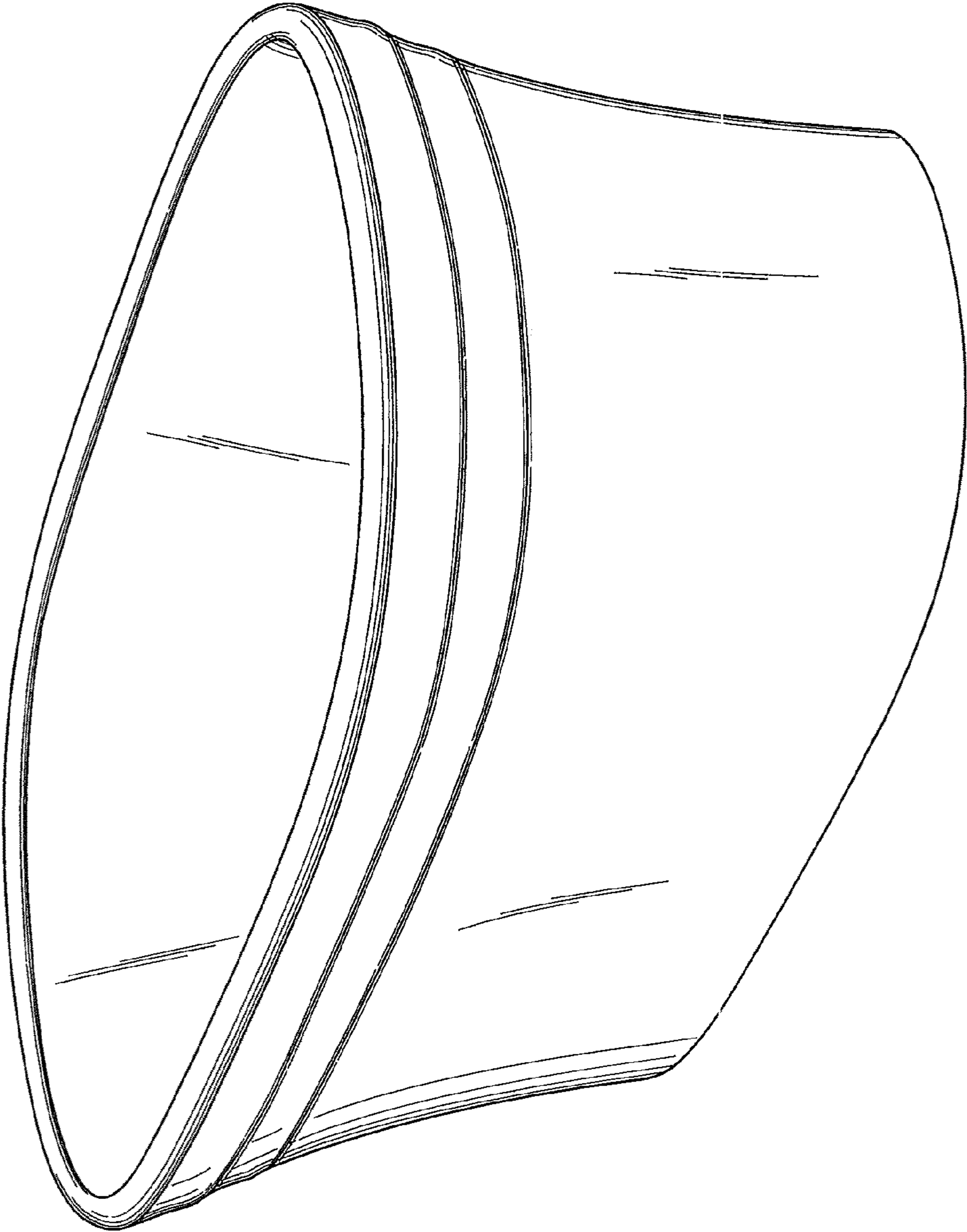


FIG. 2

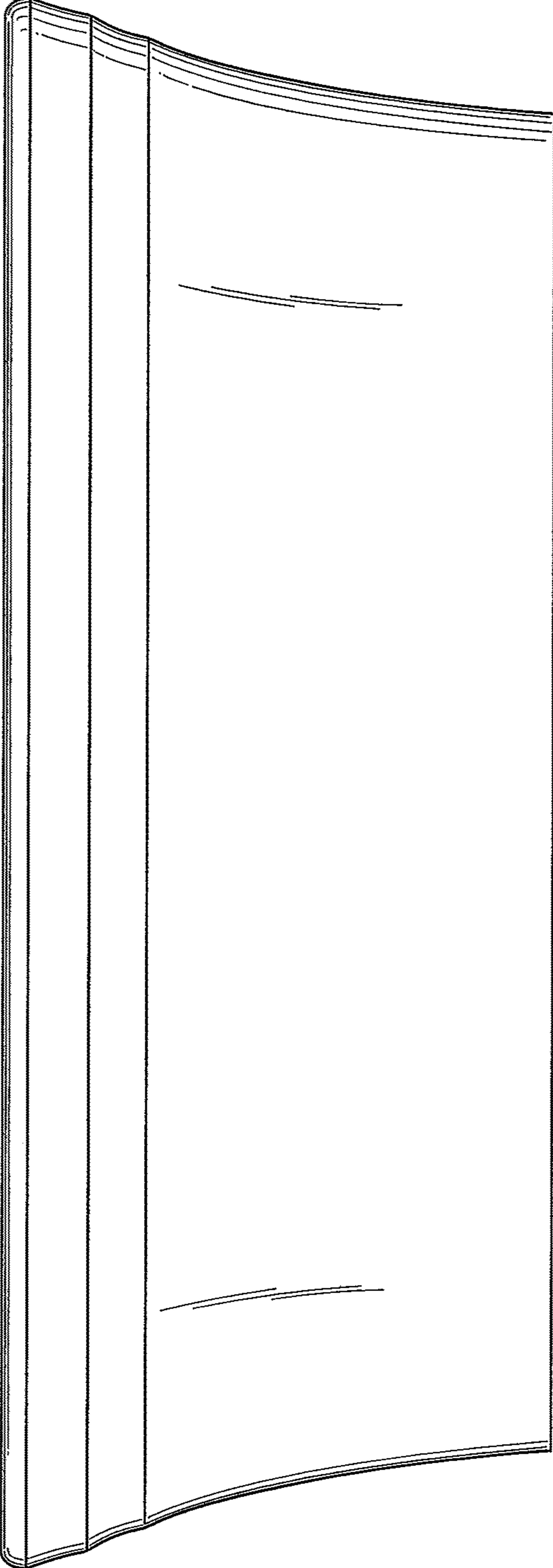


FIG. 3

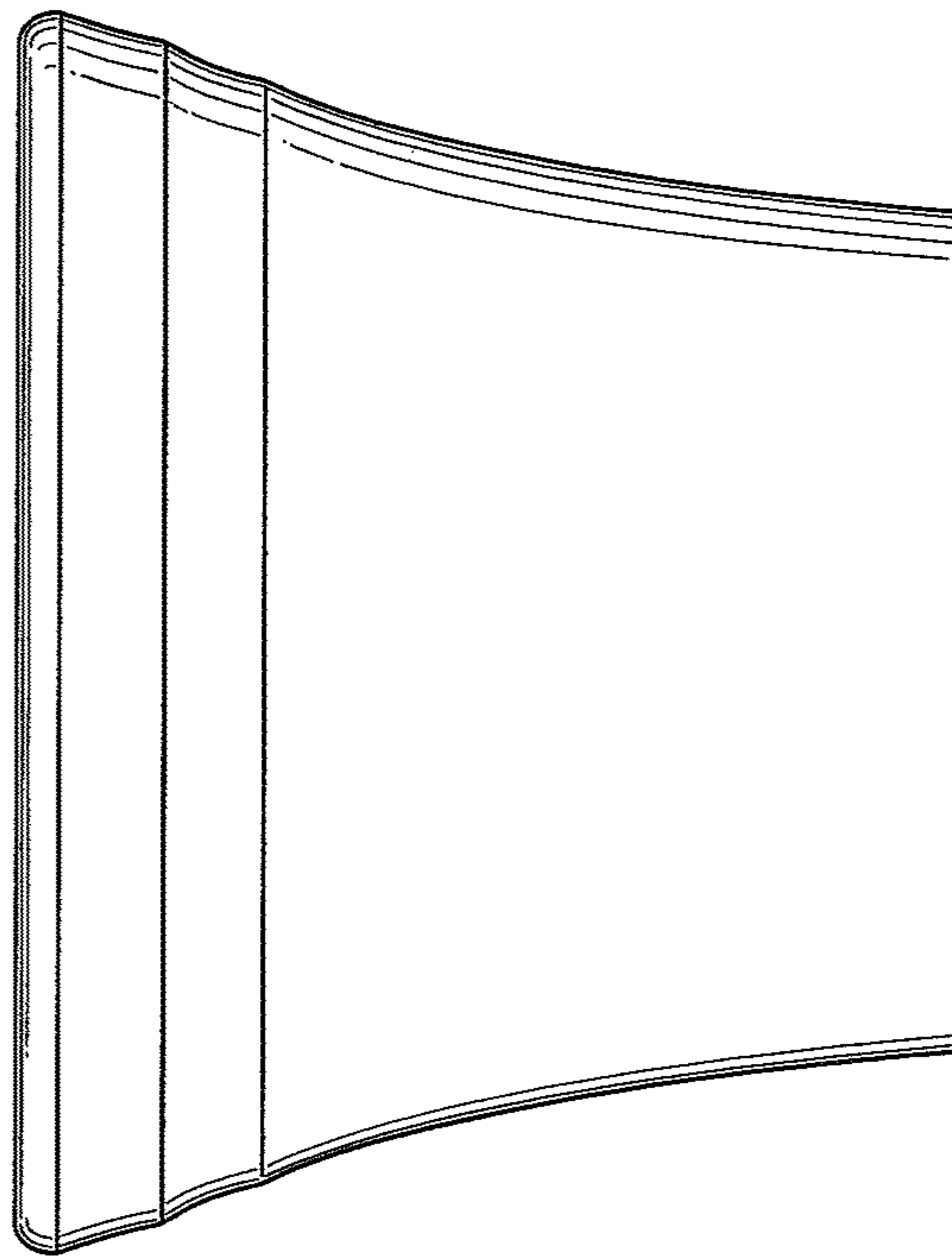


FIG. 4

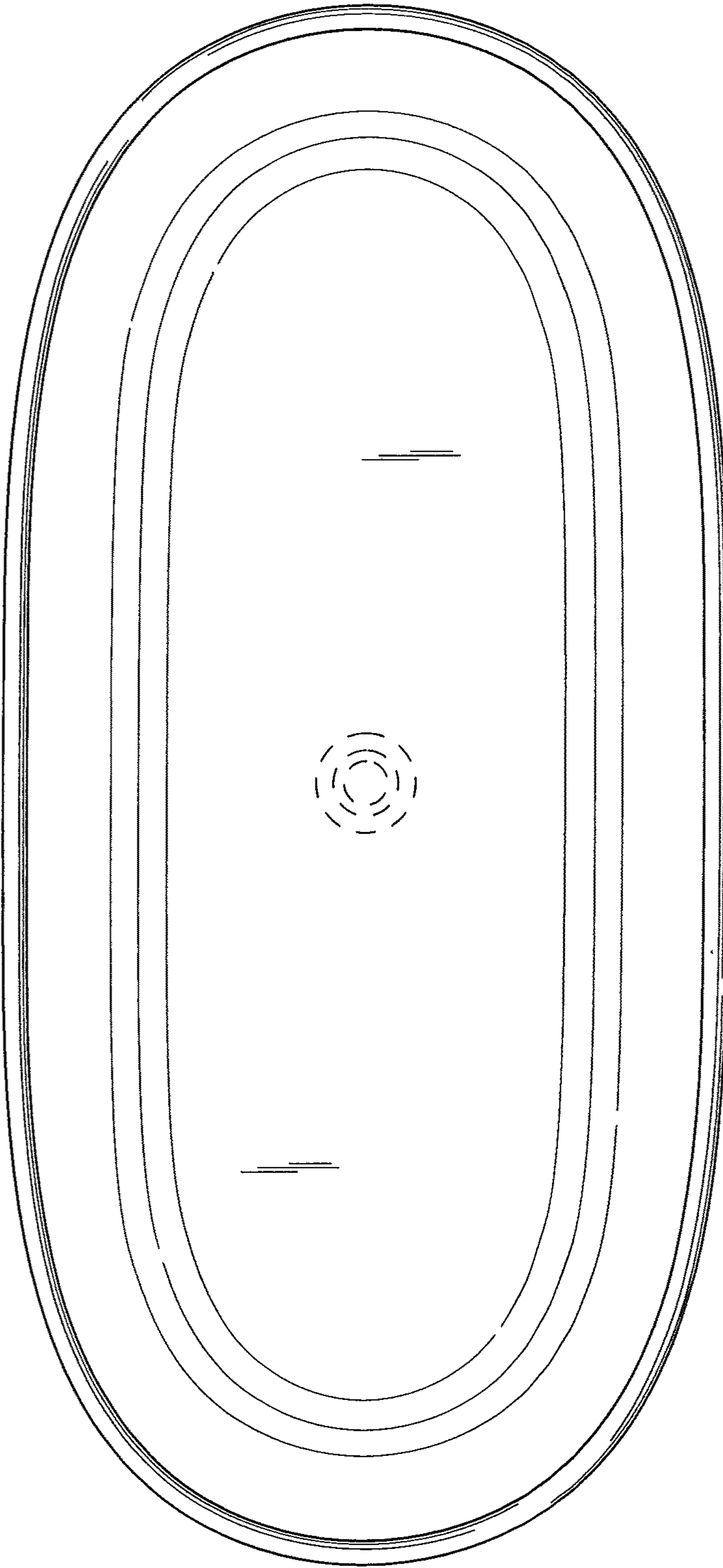


FIG. 5

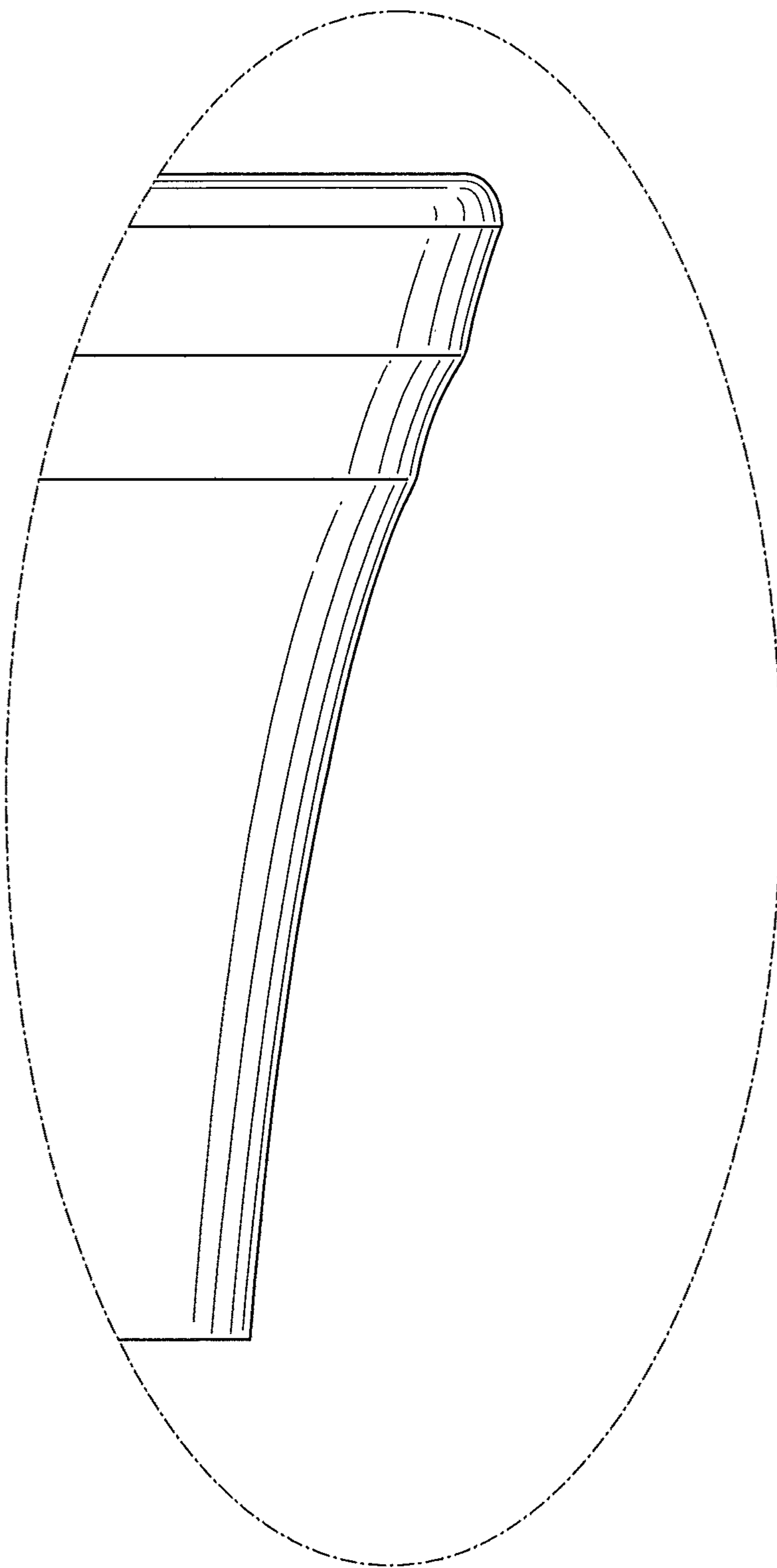


FIG. 6