



US00D745644S

(12) **United States Design Patent**  
**Burke**

(10) **Patent No.:** **US D745,644 S**

(45) **Date of Patent:** **\*\* Dec. 15, 2015**

(54) **BATH TUB**

(71) Applicant: **Victoria & Albert Baths limited,**  
Telford Shropshire (GB)

(72) Inventor: **Tom Burke,** Telford Shropshire (GB)

(73) Assignee: **Victoria and Albert Baths, Limited,**  
Telford, Shropshire (GB)

(\*\*) Term: **14 Years**

(21) Appl. No.: **29/525,958**

(22) Filed: **May 5, 2015**

(30) **Foreign Application Priority Data**

Nov. 11, 2014 (EM) ..... 001424816-0001

(51) **LOC (10) Cl.** ..... **23-02**

(52) **U.S. Cl.**  
USPC ..... **D23/277**

(58) **Field of Classification Search**  
USPC ..... D23/277, 280.1–280.4, 303–306  
CPC ..... A47K 3/00; A47K 4/00  
See application file for complete search history.

(56) **References Cited**

U.S. PATENT DOCUMENTS

4,535,489 A \* 8/1985 Elkins ..... 4/546  
D726,292 S \* 4/2015 Spangler ..... D23/277

\* cited by examiner

*Primary Examiner* — Robert Delehanty

(74) *Attorney, Agent, or Firm* — Blank Rome LLP

(57) **CLAIM**

I claim an ornamental design for a bath tub, as shown and described.

**DESCRIPTION**

FIG. 1 is a first perspective view of a bath tub of the present design;

FIG. 2 is a second perspective view of the bath tub of FIG. 1; FIG. 3 is a first side view of the bath tub of FIG. 1, a second side view being a mirror image thereof; and

FIG. 4 is a first end view of the bath tub of FIG. 1, a second end view being a mirror image thereof; and

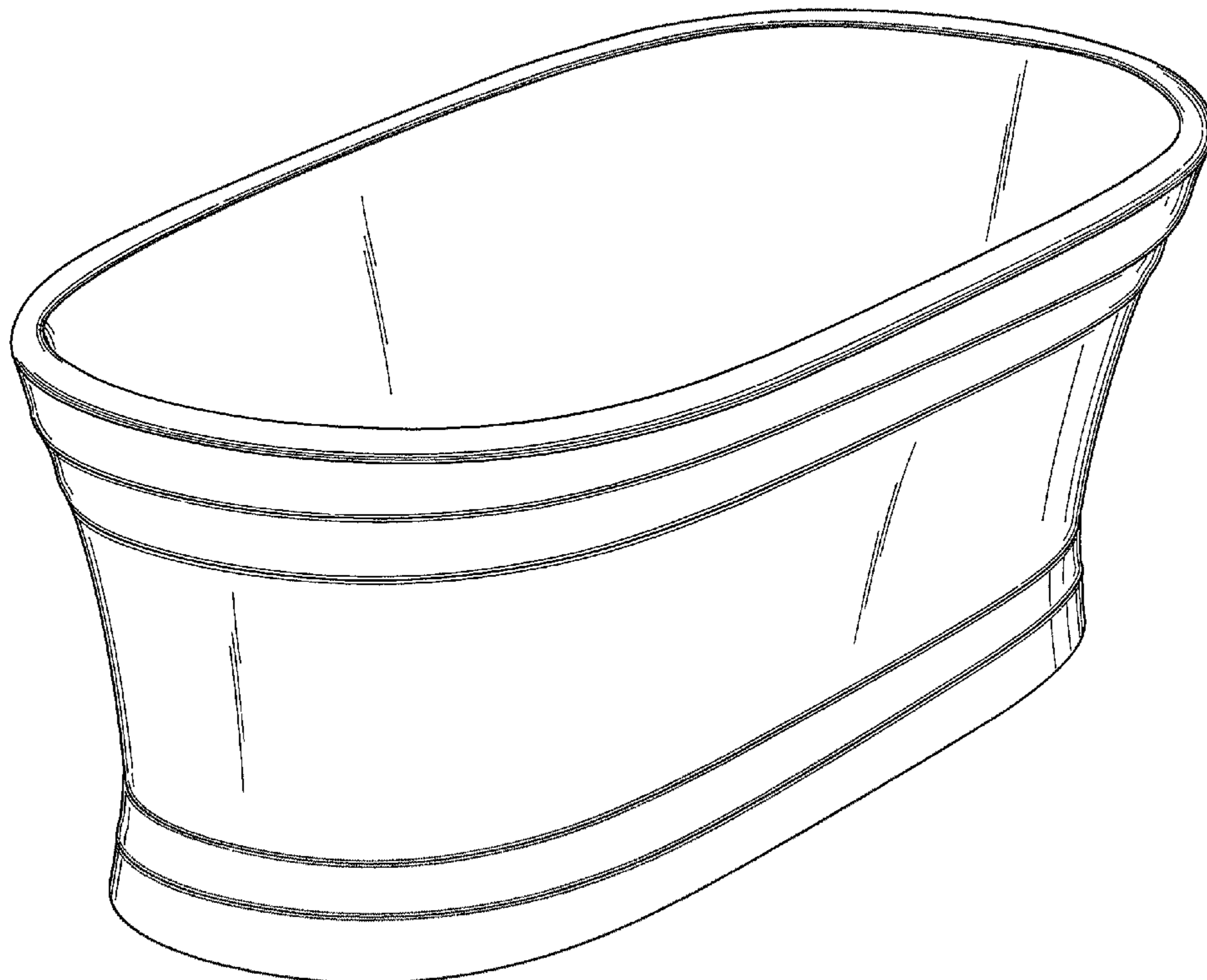
FIG. 5 is a top view of the bath tub of FIG. 1; and,

FIG. 6 is an enlarged portion of the side view of FIG. 3.

The shading in the figures show contour, not surface ornamentation, and form no part of the claimed design.

The dashed lines shown in the figures are for illustration only and form no part of the claimed design.

**1 Claim, 6 Drawing Sheets**



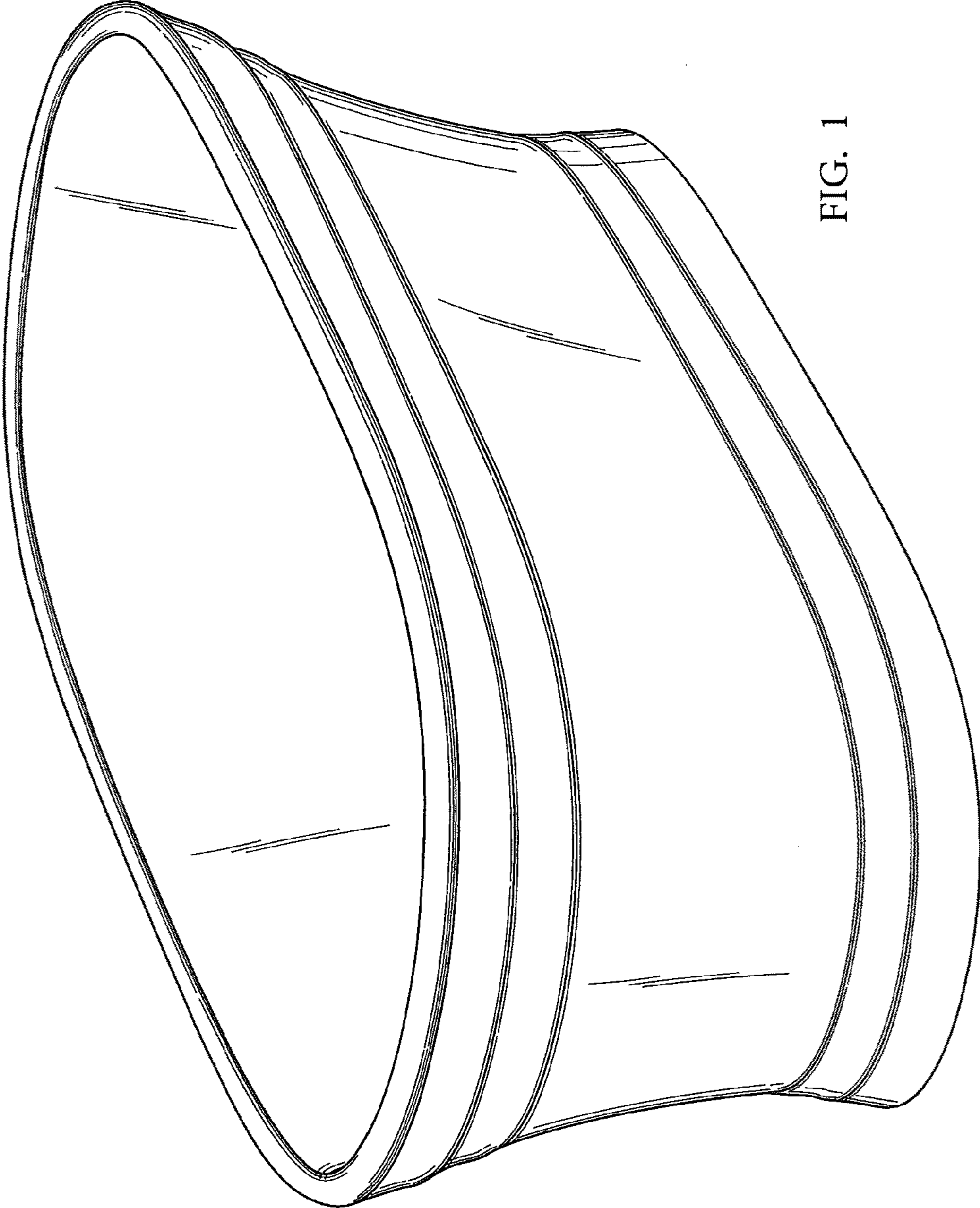


FIG. 1

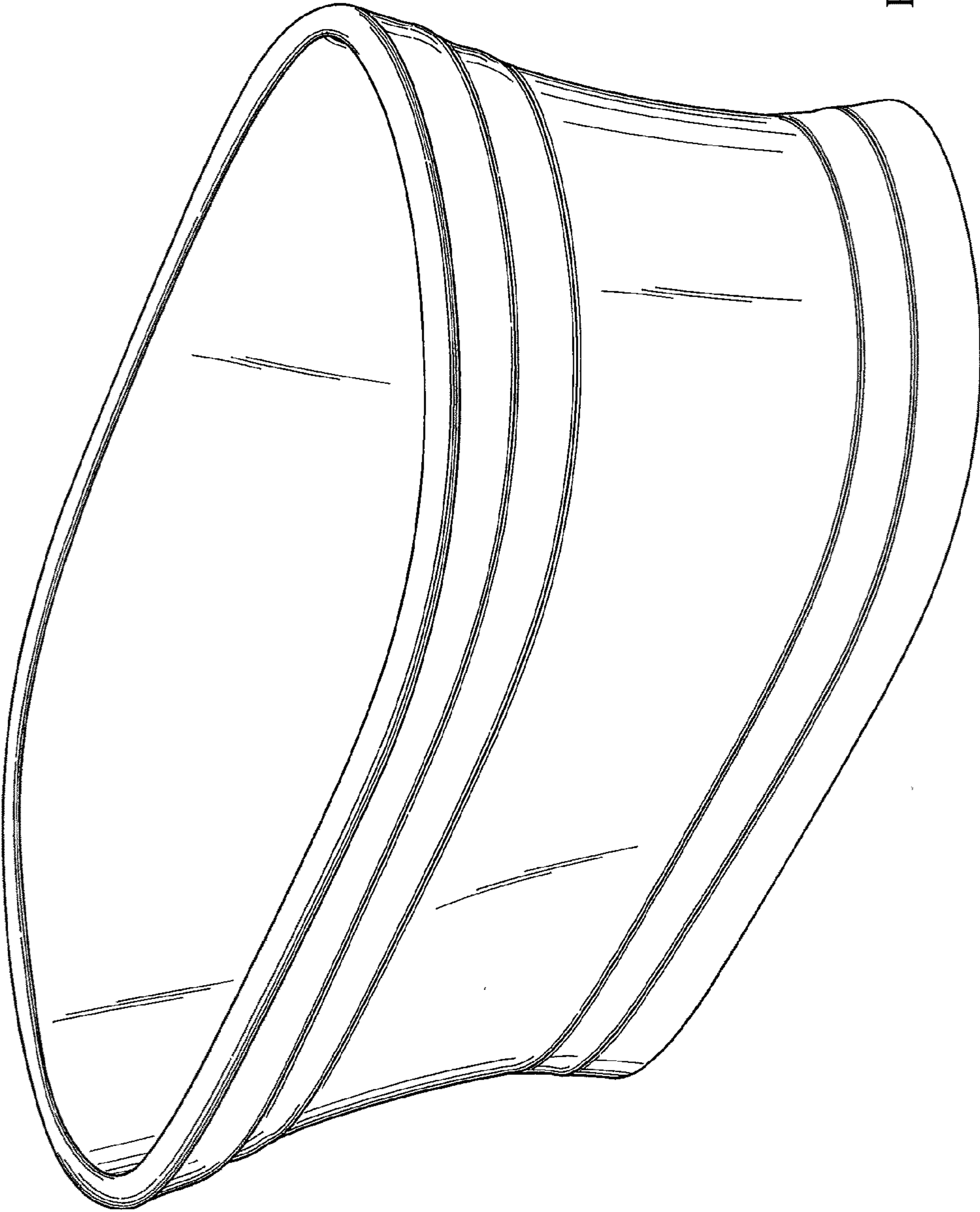


FIG. 2

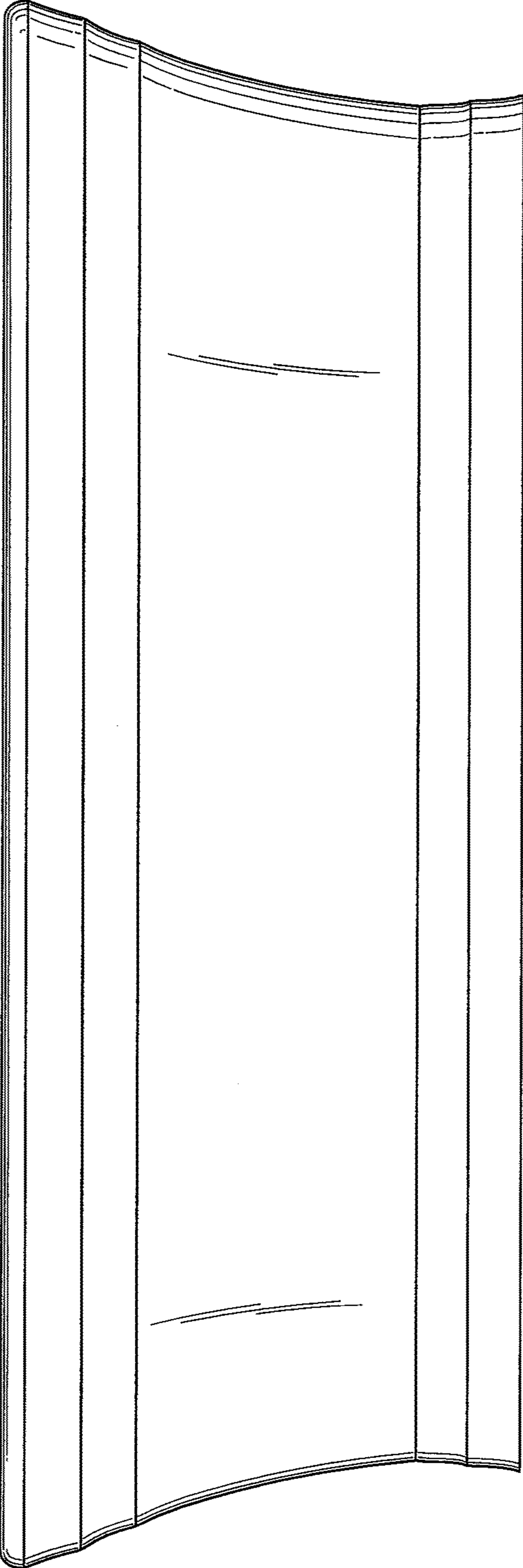


FIG. 3

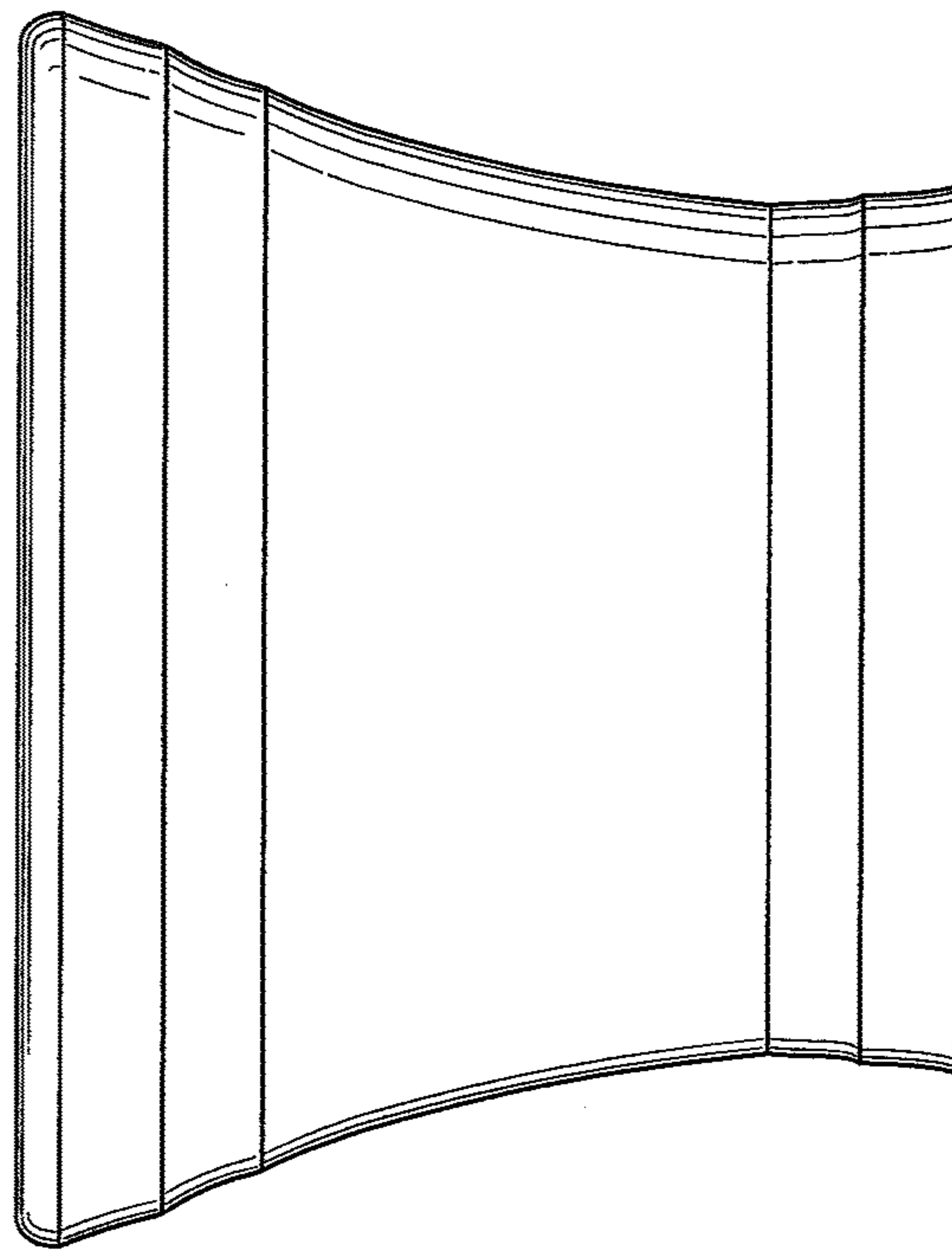


FIG. 4

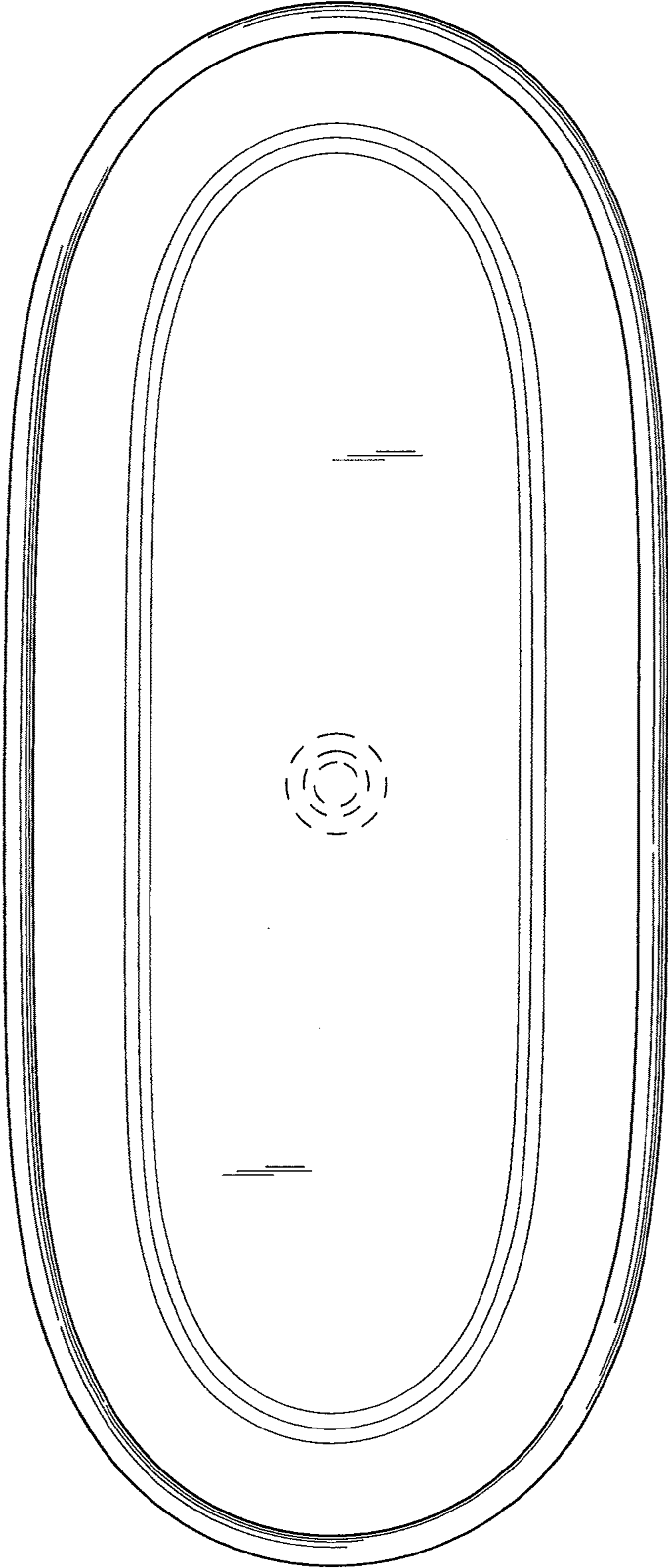


FIG. 5

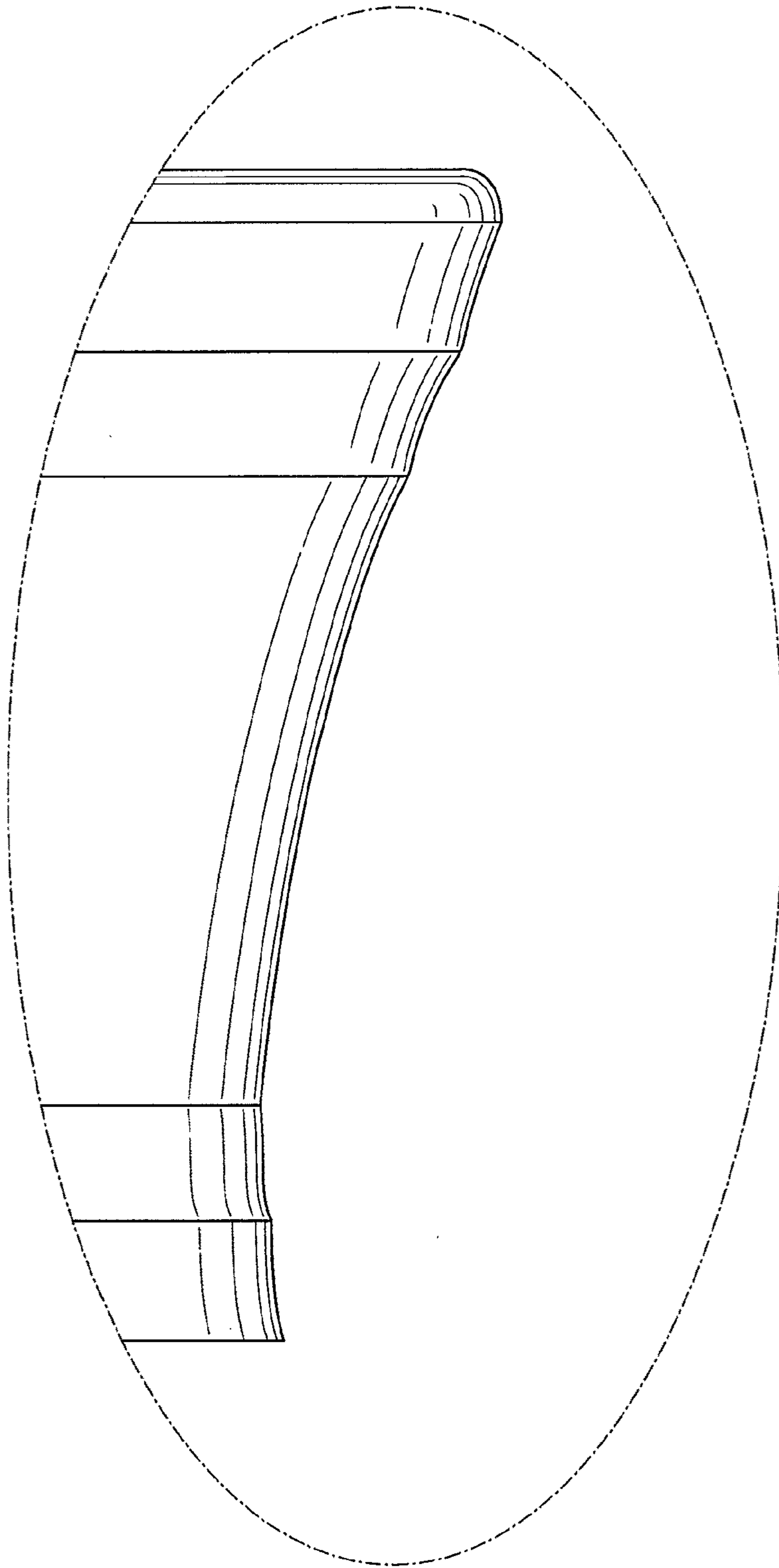


FIG. 6