



US00D745643S

(12) **United States Design Patent**  
**Rowton**

(10) **Patent No.:** **US D745,643 S**

(45) **Date of Patent:** **\*\* Dec. 15, 2015**

(54) **MODULAR LANDSCAPE TROUGH**

(76) **Inventor:** **Richard N. Rowton**, Myrtle Creek, OR  
(US)

(\*\*) **Term:** **14 Years**

(21) **Appl. No.:** **29/401,421**

(22) **Filed:** **Sep. 12, 2011**

(51) **LOC (10) Cl.** ..... **23-01**

(52) **U.S. Cl.**  
USPC ..... **D23/267; D25/102**

(58) **Field of Classification Search**  
USPC ..... D25/119, 102, 107, 108, 199; D23/262,  
D23/386, 267, 200, 259; D13/155; 43/107,  
43/121; 404/4, 5, 2  
See application file for complete search history.

(56) **References Cited**

**U.S. PATENT DOCUMENTS**

|           |   |           |               |         |
|-----------|---|-----------|---------------|---------|
| 280,291   | A | 6/1883    | Bunnell       |         |
| 392,347   | A | 11/1888   | Krause        |         |
| 395,678   | A | 1/1889    | Wiebrock      |         |
| 4,319,423 | A | 3/1982    | Judd          |         |
| 4,566,219 | A | 1/1986    | Firth         |         |
| 5,170,584 | A | 12/1992   | Perry         |         |
| 5,857,428 | A | 1/1999    | Gitzen        |         |
| 5,926,999 | A | 7/1999    | Vernon et al. |         |
| D443,073  | S | * 5/2001  | Wilson        | D25/102 |
| D521,657  | S | * 5/2006  | Zarb          | D25/136 |
| D529,633  | S | * 10/2006 | Zarb          | D25/136 |
| D586,437  | S | * 2/2009  | Cangialosi    | D23/267 |
| D586,439  | S | * 2/2009  | Porter        | D23/267 |

|          |   |           |             |         |
|----------|---|-----------|-------------|---------|
| D601,000 | S | * 9/2009  | Cole et al. | D8/349  |
| D605,309 | S | * 12/2009 | Schick      | D25/102 |
| D651,697 | S | * 1/2012  | Dehart, Sr. | D23/267 |
| D679,369 | S | * 4/2013  | Adams       | D23/267 |

\* cited by examiner

*Primary Examiner* — T. Chase Nelson

*Assistant Examiner* — Ania Aman

(74) *Attorney, Agent, or Firm* — Montgomery Patent & Design; Robert L. Montgomery

(57) **CLAIM**

The ornamental design for a modular landscape trough, as shown and described.

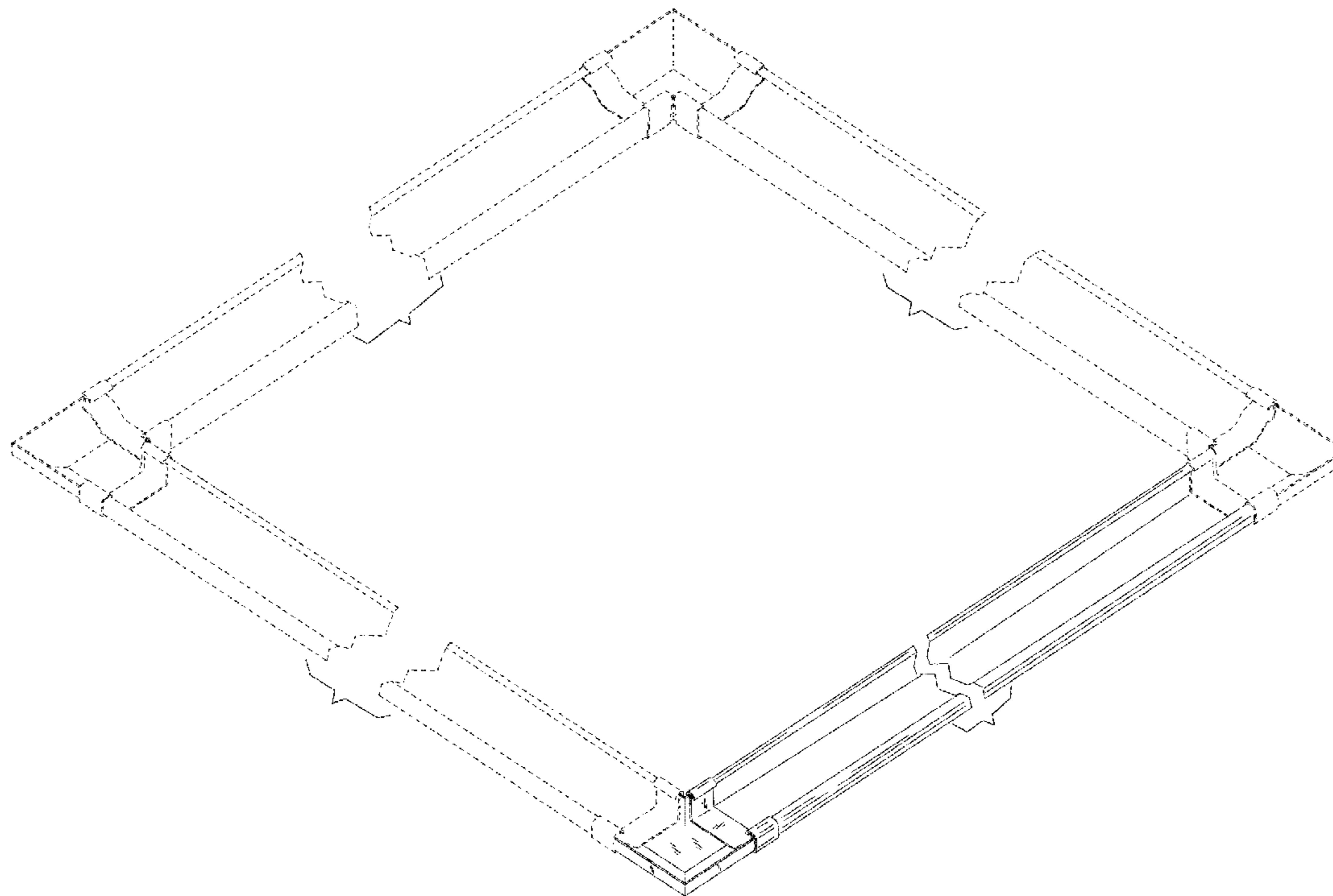
**DESCRIPTION**

FIG. 1 is a perspective view of a modular landscape trough, showing my new design, the modular landscape trough is depicted with a corner member, a connector member and a trough member in the connected configuration, the trough member is shown broken away in indicate that any portion of the trough member beyond what is shown forms no part of the claimed design.

FIG. 2 is a partial perspective view showing selected elements of FIG. 1 for clarity of illustration of the modular landscape trough depicted with a corner member, a connector member, and a trough member in the connected configuration; and, FIG. 3 is a partial perspective view showing selected elements of FIG. 1 for clarity of illustration of the modular landscape trough depicted with the corner member, the connector member, and the trough member in an exploded configuration.

The broken line shown in FIG. 1 is for the purpose of illustrating portions of the article and forms no part of the claimed design.

**1 Claim, 3 Drawing Sheets**



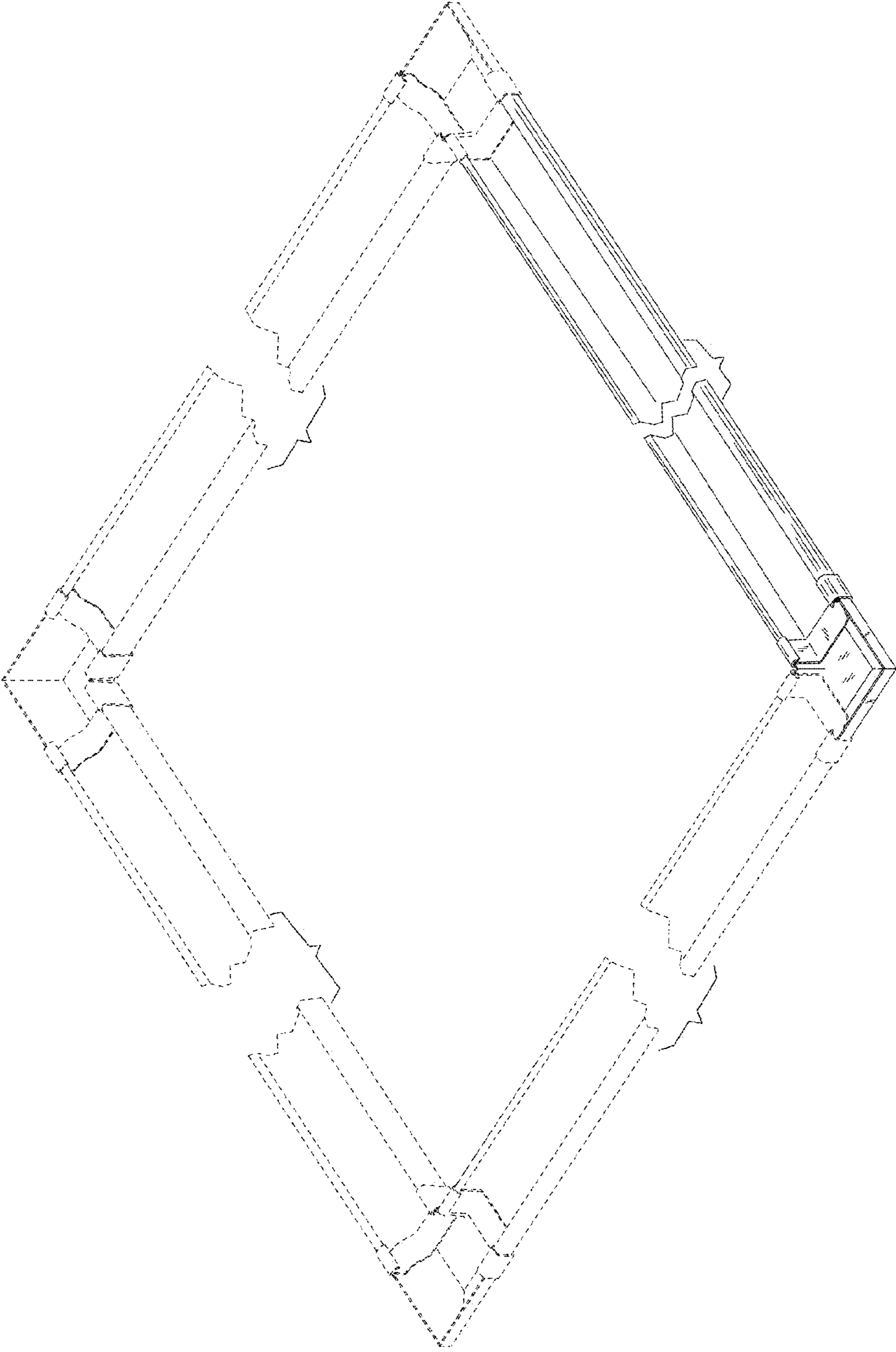


Fig. 1

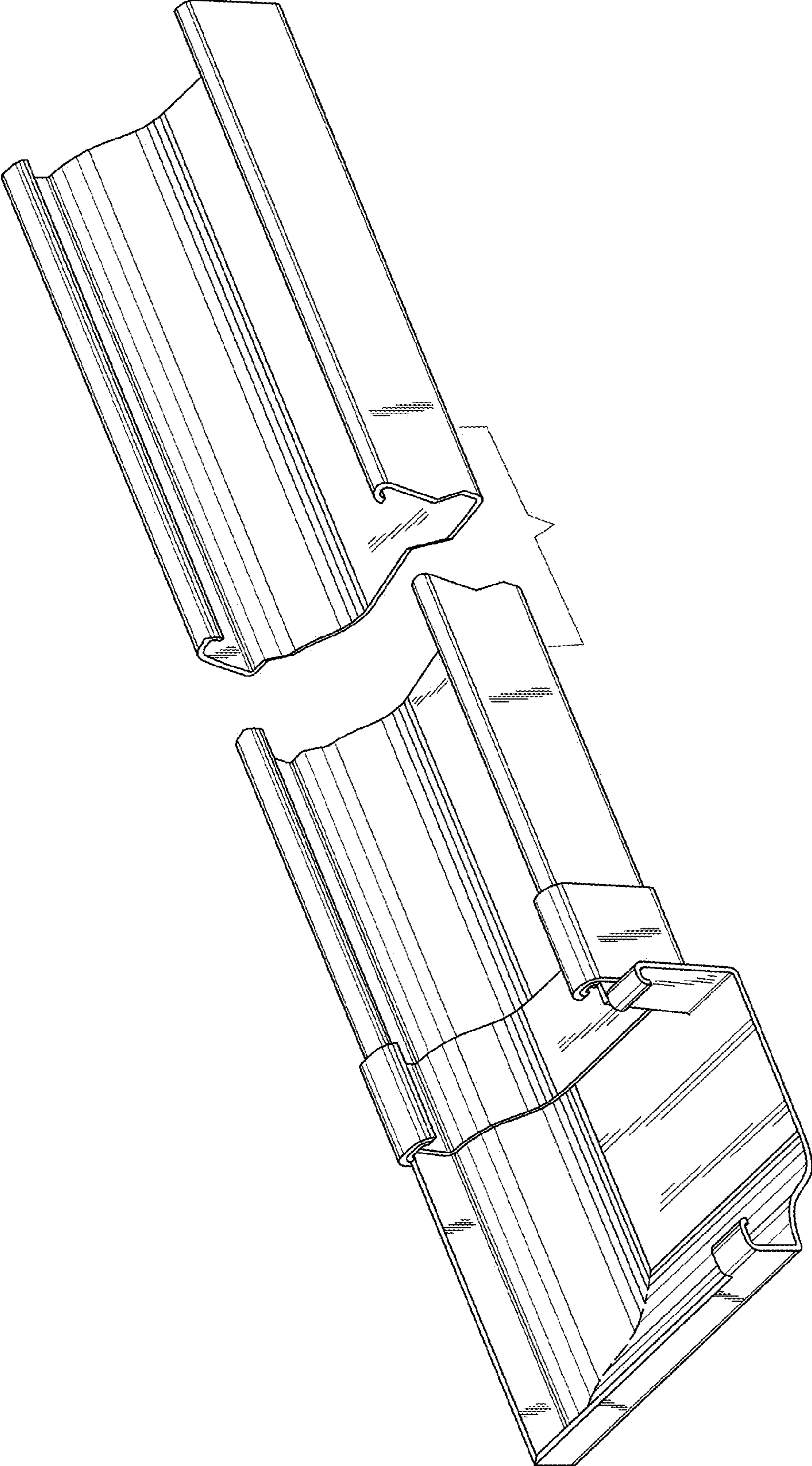


Fig. 2

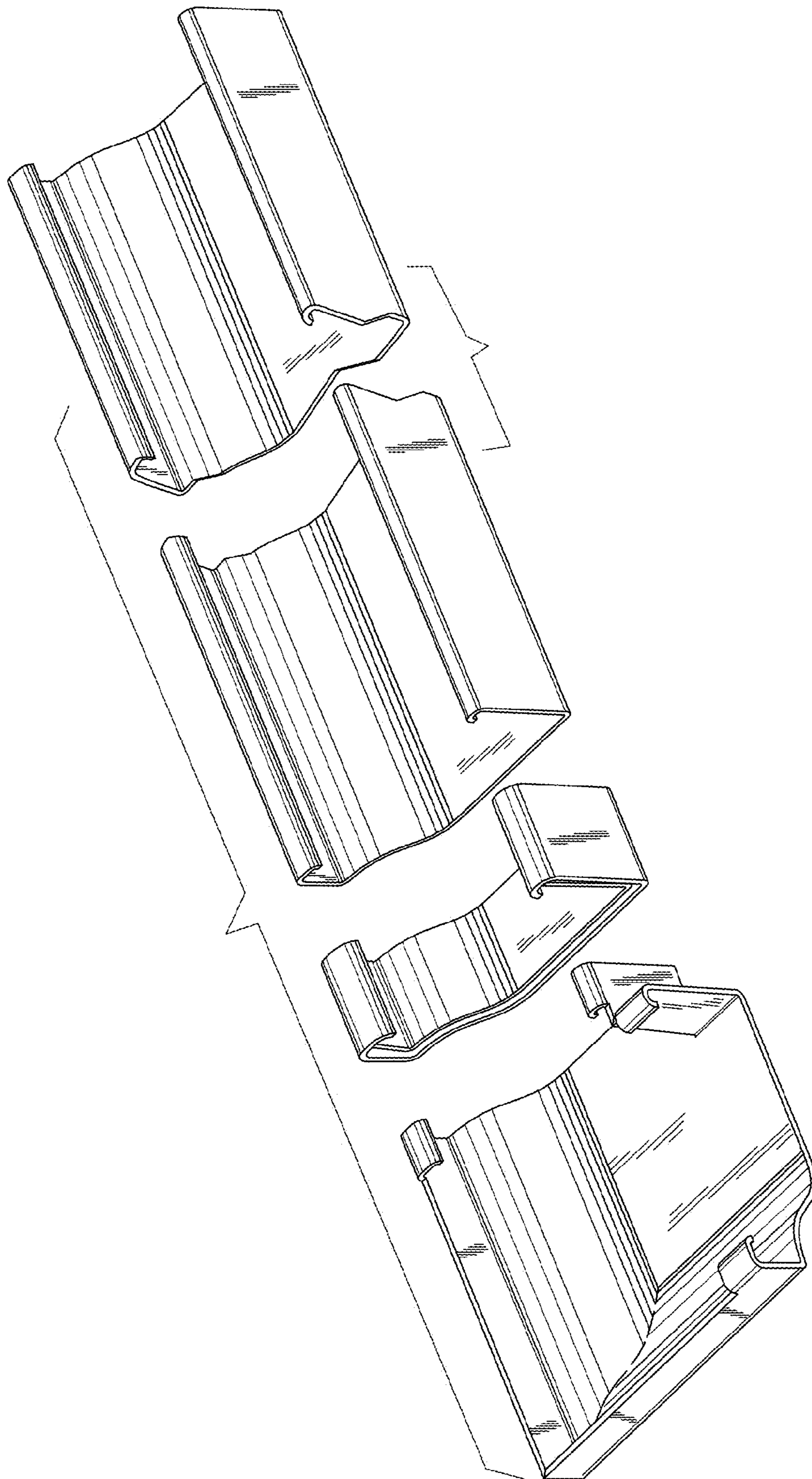


Fig. 3