



US00D745642S

(12) **United States Design Patent**
Luo

(10) **Patent No.:** **US D745,642 S**
(45) **Date of Patent:** **** Dec. 15, 2015**

- (54) **SINK FILTER DEVICE (3)**
- (71) Applicant: **Taizhou Luobang Sanitary Ware MFG Co., Ltd.**, Taizhou, Zhejiang (CN)
- (72) Inventor: **Changfu Luo**, Zhejiang (CN)
- (73) Assignee: **TAIZHOU LUOBANG SANITARY WARE MFG CO., LTD.**, Zhejiang (CN)
- (**) Term: **14 Years**
- (21) Appl. No.: **29/500,050**
- (22) Filed: **Aug. 21, 2014**
- (51) **LOC (10) Cl.** **23-01**
- (52) **U.S. Cl.**
USPC **D23/260**
- (58) **Field of Classification Search**
USPC D23/259, 260, 261, 262, 263, 264, 265;
4/286–292, 596–614, 679–694;
210/163
See application file for complete search history.

D517,664	S *	3/2006	Hill	D23/261
D553,225	S *	10/2007	Wolf	D23/261
7,458,108	B2 *	12/2008	Wolf	4/222.1
D614,267	S *	4/2010	Breda	D23/261
D629,865	S *	12/2010	Riedel	D23/209
7,854,029	B2 *	12/2010	Shih	4/286
D630,307	S *	1/2011	Rigolio	D23/262
8,011,030	B2 *	9/2011	Li	4/287
D677,764	S *	3/2013	Laera	D23/260
8,578,523	B2 *	11/2013	Eichler et al.	4/292
2003/0182721	A1 *	10/2003	Li	4/287
2007/0180602	A1 *	8/2007	Lin	4/287
2008/0244825	A1 *	10/2008	Delmonico	4/679

(Continued)

OTHER PUBLICATIONS

Keeney Mfg. Co. 4-1/2-in dia Chrome Ground Joint Sink Strainer, Sink Parts and Repair, Plumbing, lowes.com, Searched Oct. 7, 2014, http://www.lowes.com/pd_194522-143-K5445_0_?productId=3132079.*

Primary Examiner — John Windmuller
Assistant Examiner — Steven Czyz
(74) *Attorney, Agent, or Firm* — Jackson IPG PLLC;
Demian K. Jackson

(56) **References Cited**
U.S. PATENT DOCUMENTS

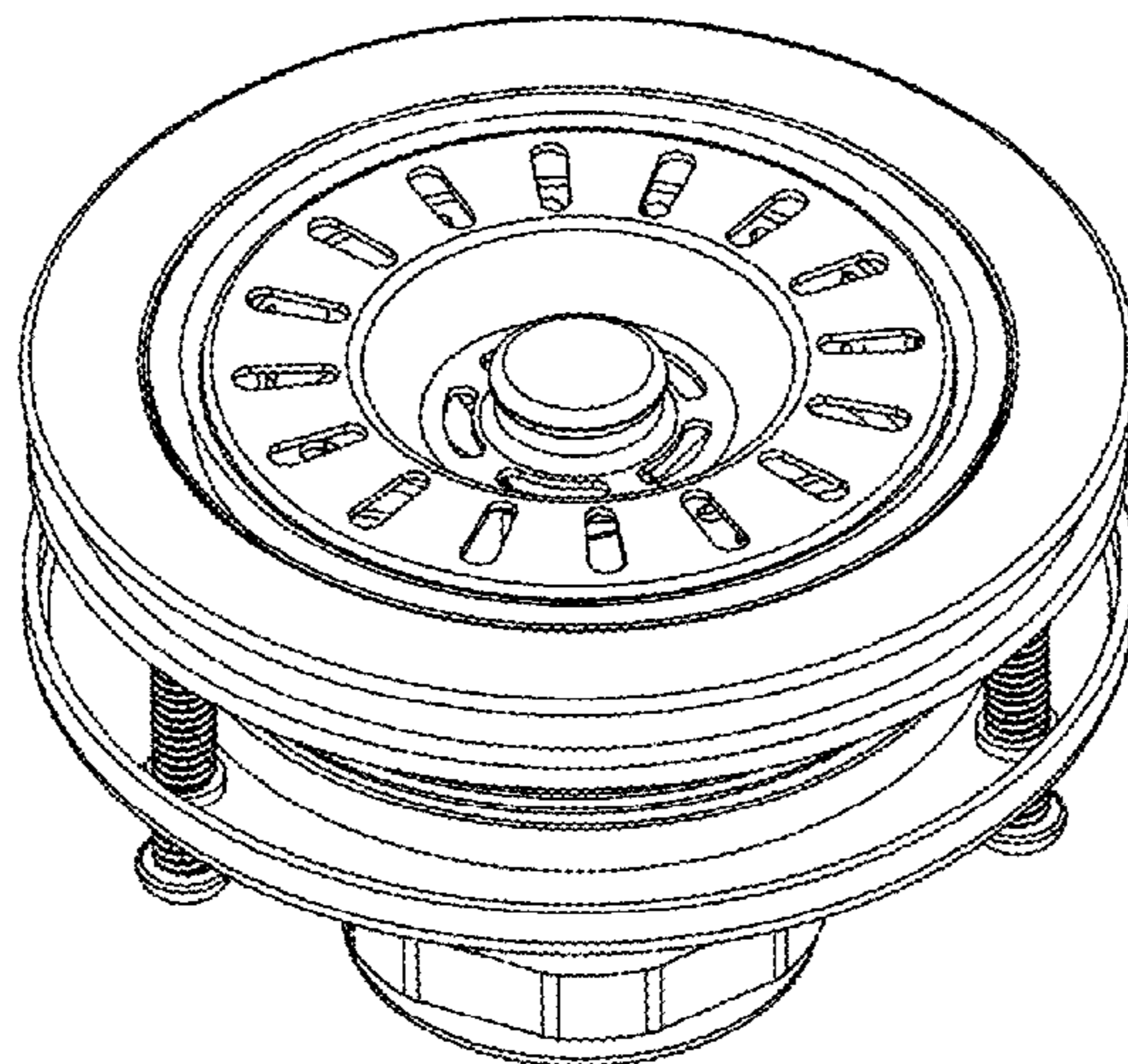
2,188,613	A *	1/1940	Reedy	4/287
2,288,767	A *	7/1942	Young	4/692
2,739,317	A *	3/1956	Abresch	4/679
2,763,012	A *	9/1956	Duncan	4/287
3,509,586	A *	5/1970	Politz	4/292
3,800,339	A *	4/1974	Bergin	4/287
3,813,708	A *	6/1974	Hamburg	4/286
3,911,508	A *	10/1975	Goldberg	4/287
4,359,788	A *	11/1982	Liou	4/287
4,571,751	A *	2/1986	Barlow	4/288
4,692,948	A *	9/1987	Martin	4/286
5,165,118	A *	11/1992	Cendrowski	4/287
5,265,281	A *	11/1993	McAlpine	4/287
5,418,983	A *	5/1995	Garguillo et al.	4/287
5,535,455	A *	7/1996	Liu	4/287
6,108,828	A *	8/2000	Cheng	4/287
D441,848	S *	5/2001	Huang	D23/261

(57) **CLAIM**
The ornamental design for a sink filter device (3), as shown and described.

DESCRIPTION

FIG. 1 is a front side perspective view of a sink filter device (3) showing my new design;
FIG. 2 is a front elevational view thereof;
FIG. 3 is a rear elevational view thereof;
FIG. 4 is a left side elevational view thereof;
FIG. 5 is a right side elevational view thereof;
FIG. 6 is a top plan view thereof;
FIG. 7 is a bottom plan view thereof; and,
FIG. 8 is another side perspective view thereof.

1 Claim, 5 Drawing Sheets



US D745,642 S

Page 2

(56)

References Cited

U.S. PATENT DOCUMENTS

2014/0053328 A1* 2/2014 Chen 4/287
2014/0075662 A1* 3/2014 Gayoso 4/287

2014/0053327 A1* 2/2014 Lee 4/287 * cited by examiner

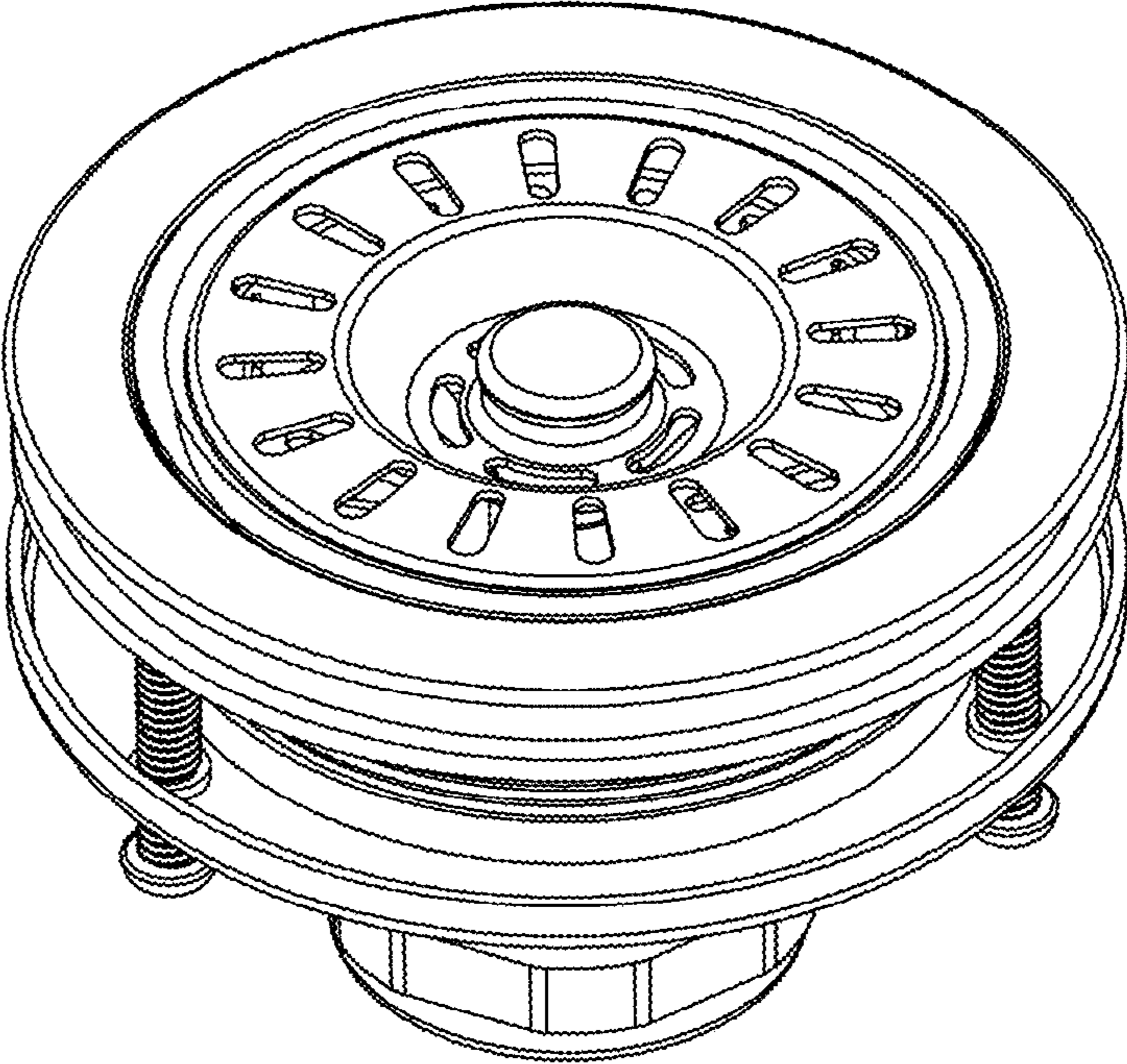


Fig. 1

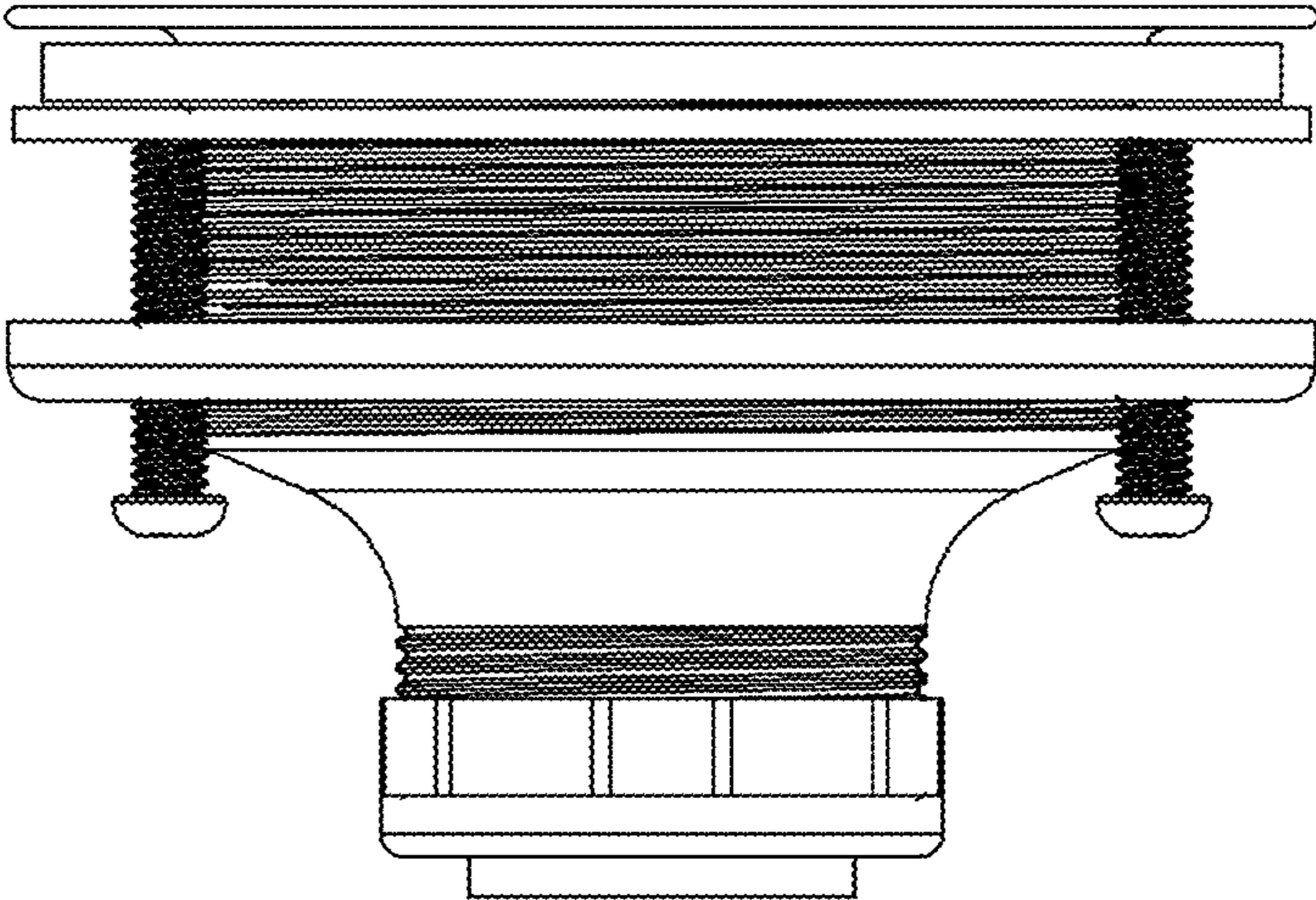


Fig. 2

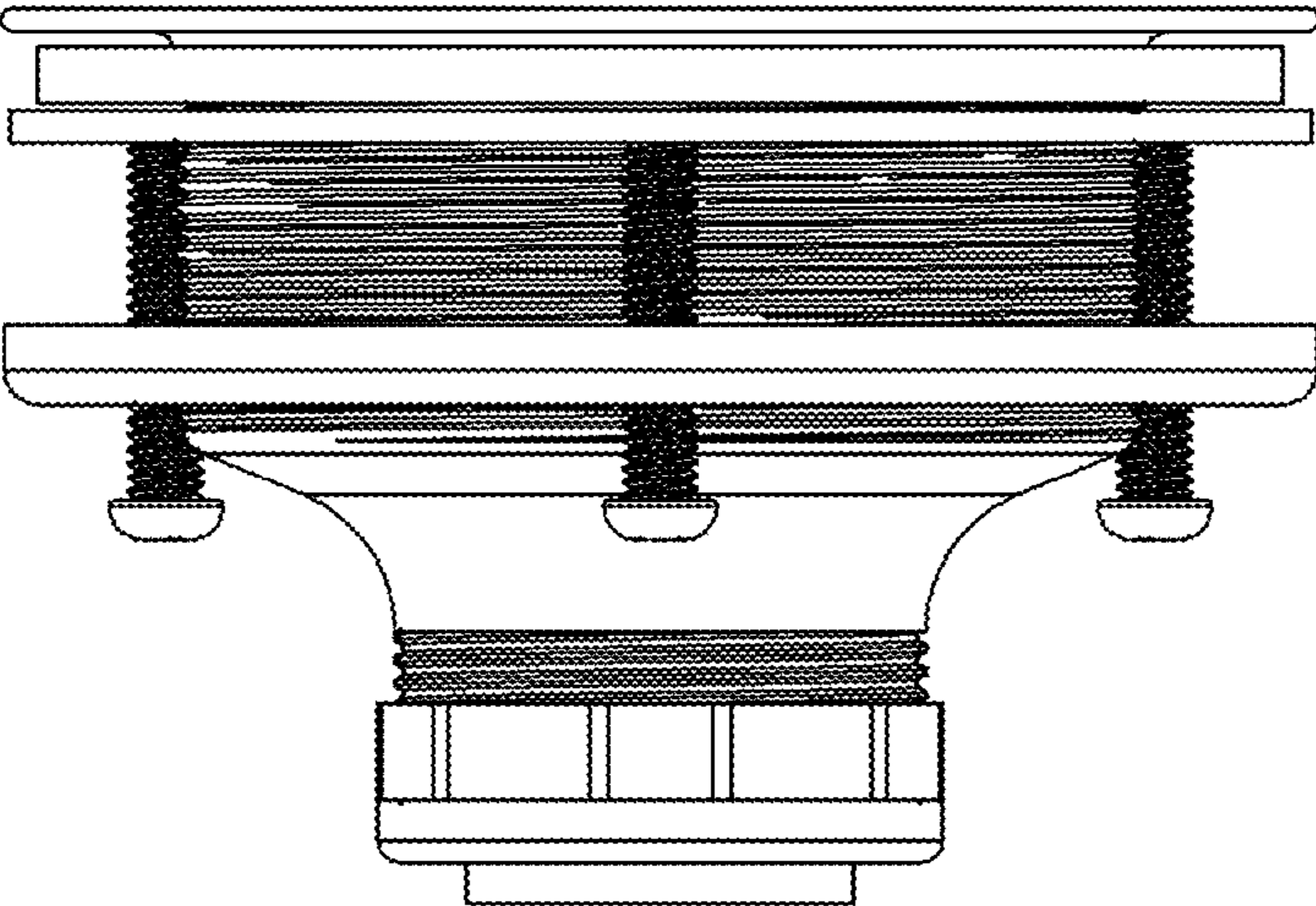


Fig. 3

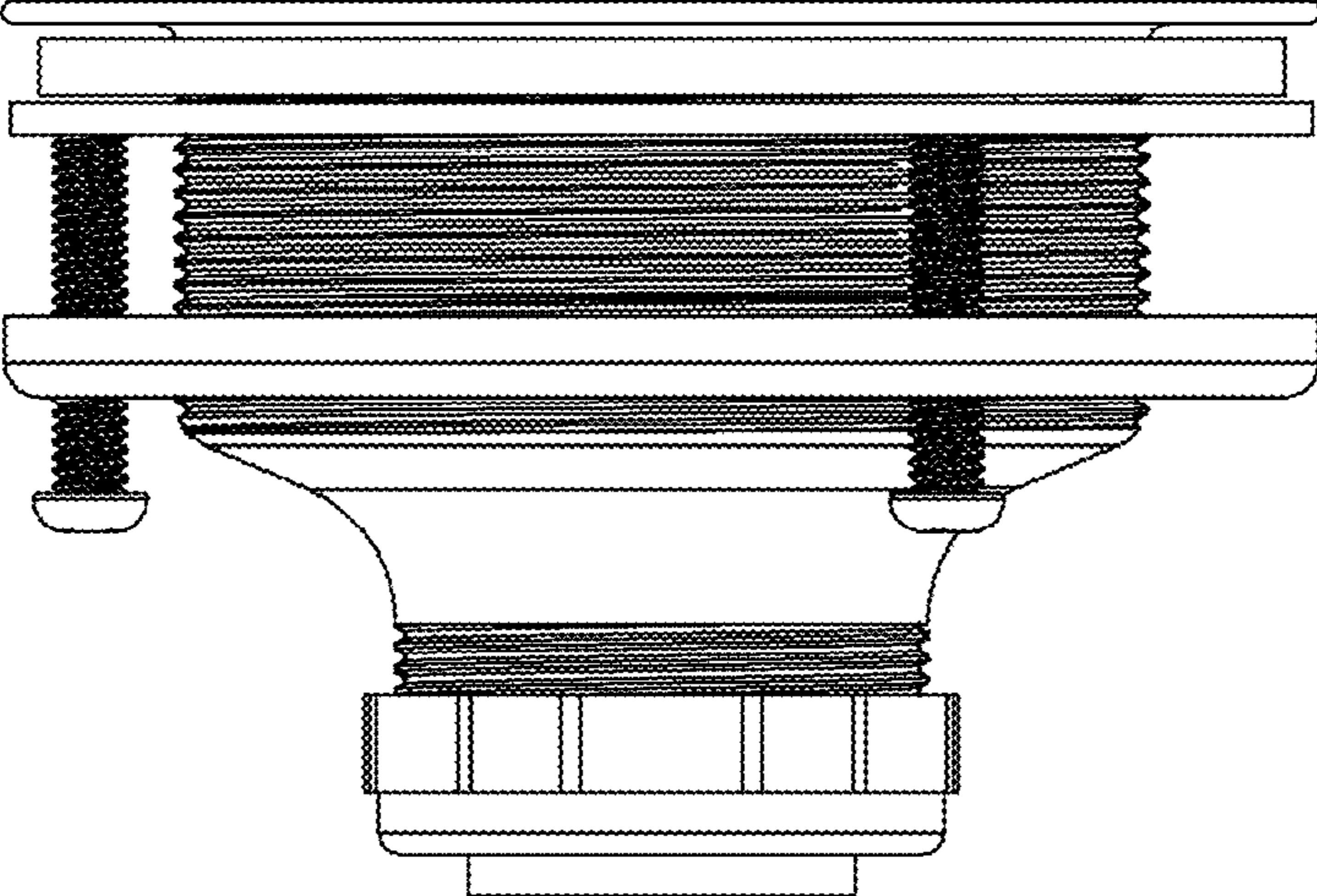


Fig. 4

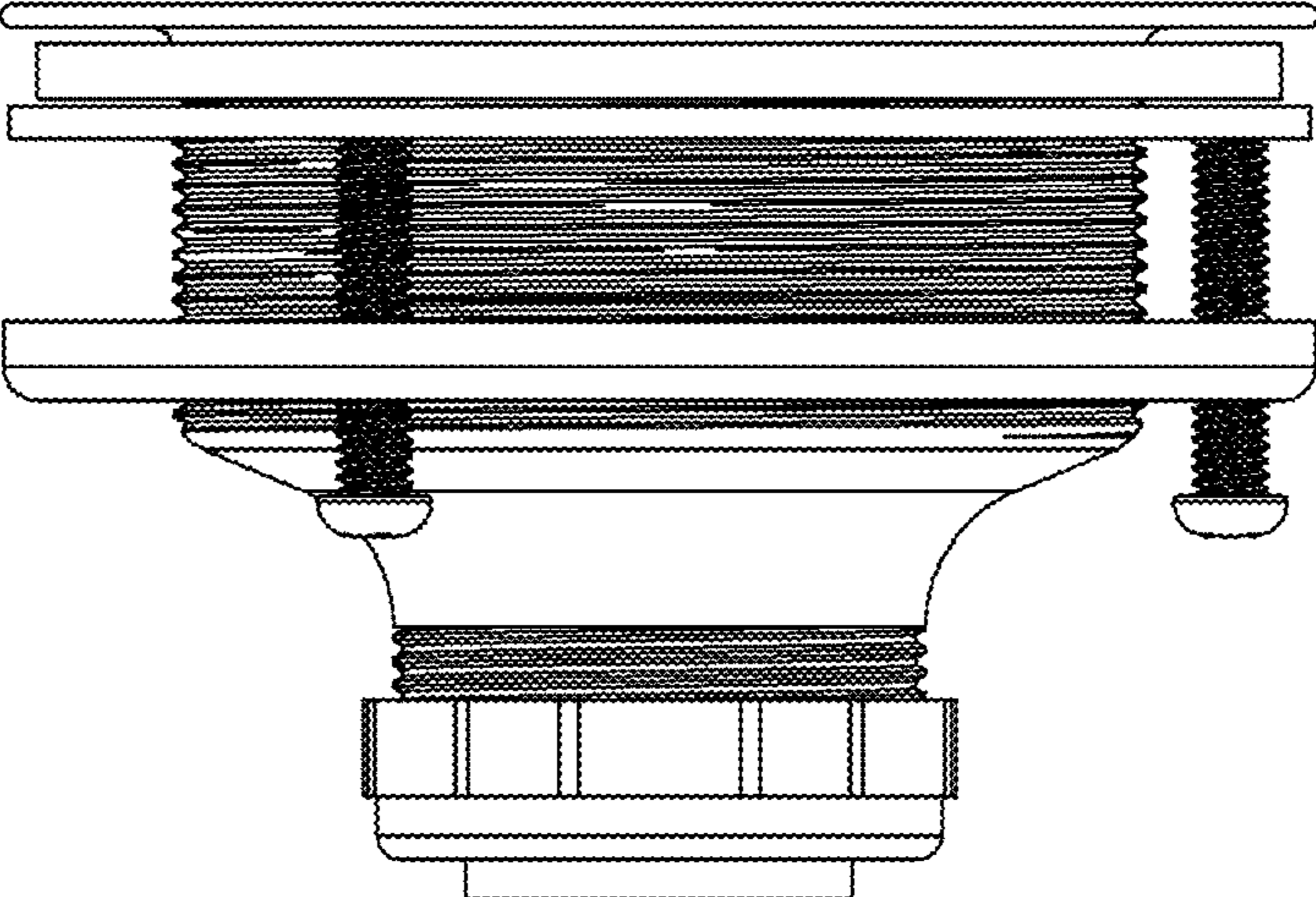


Fig. 5

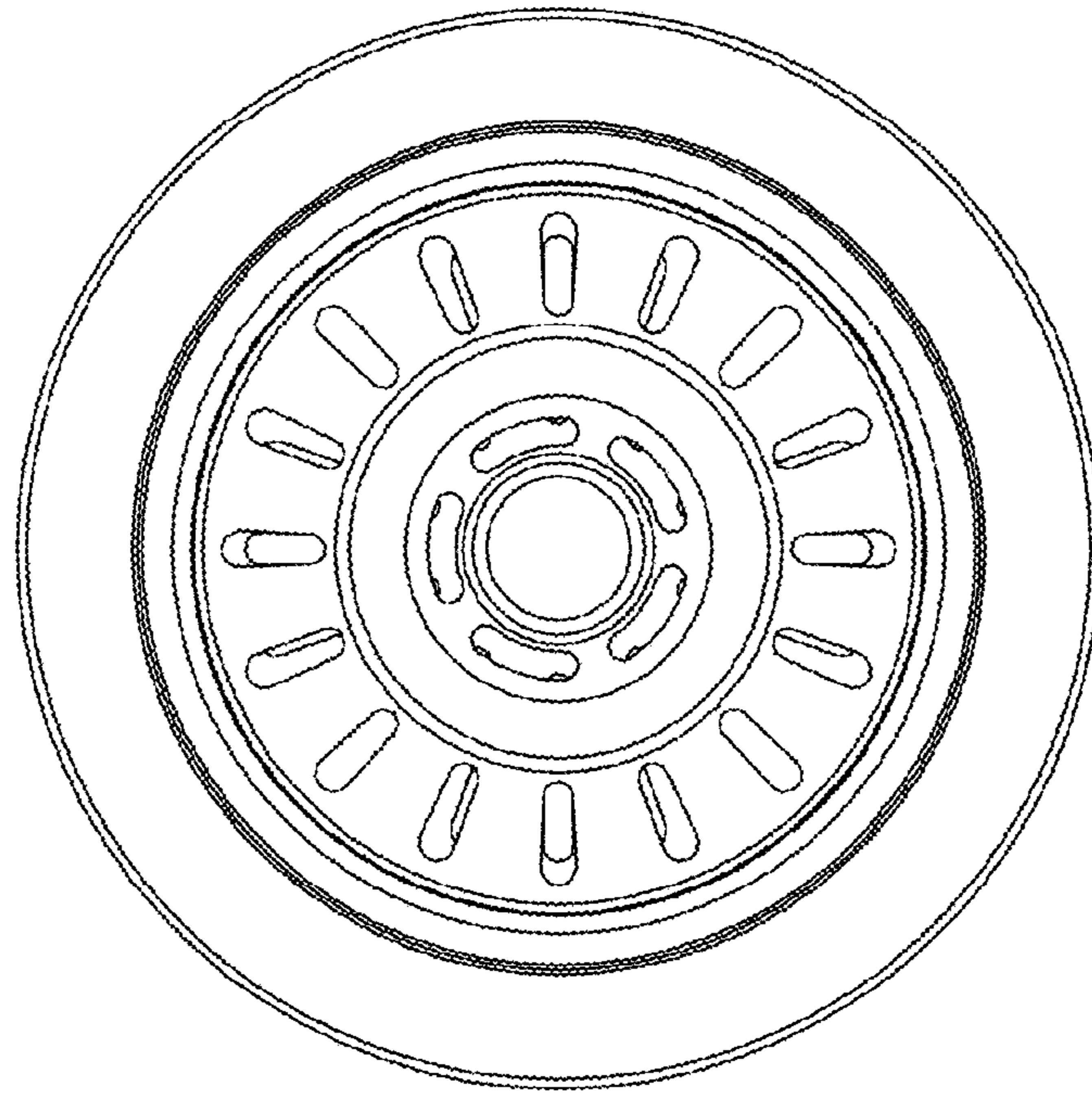


Fig. 6

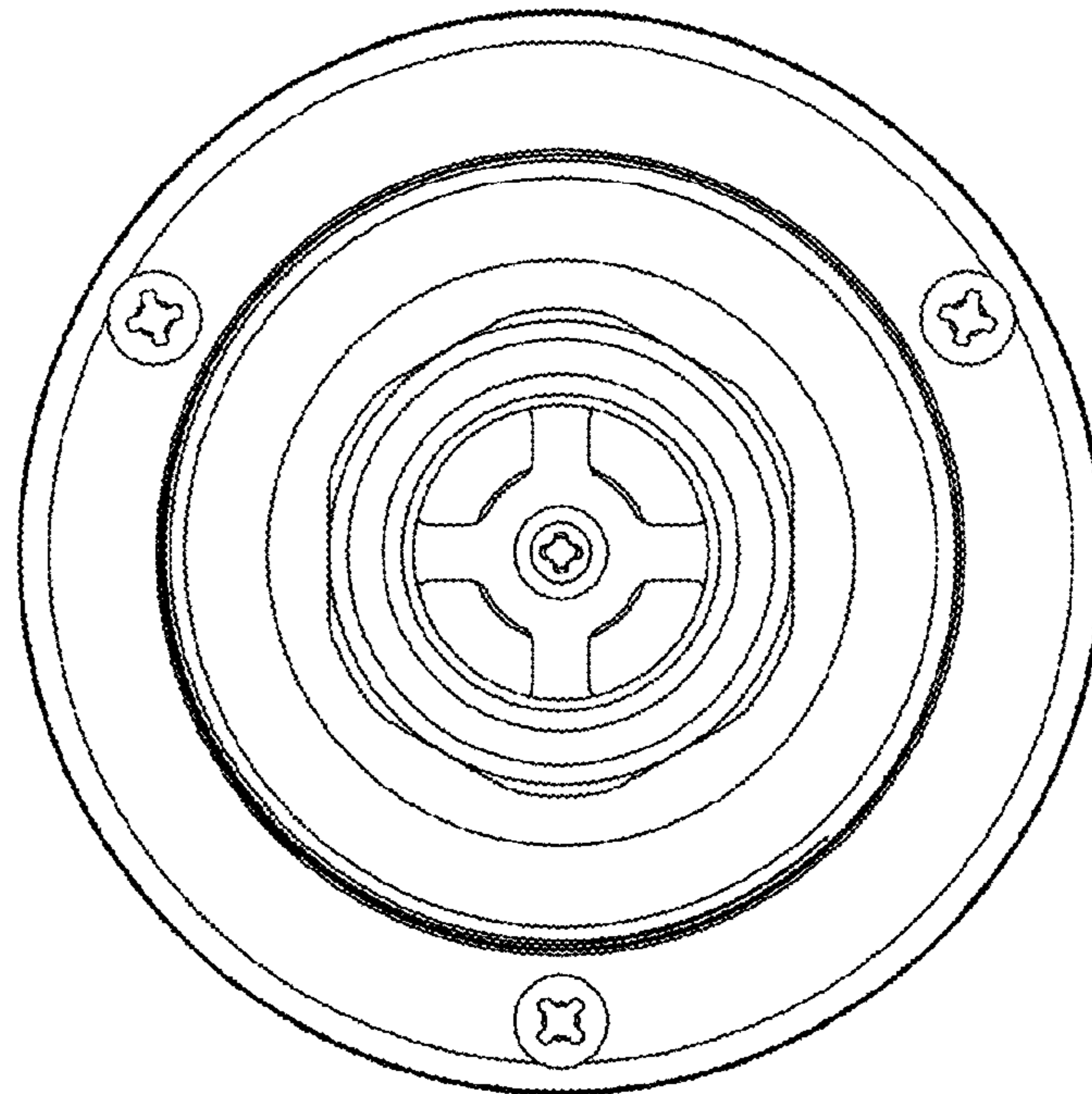


Fig. 7

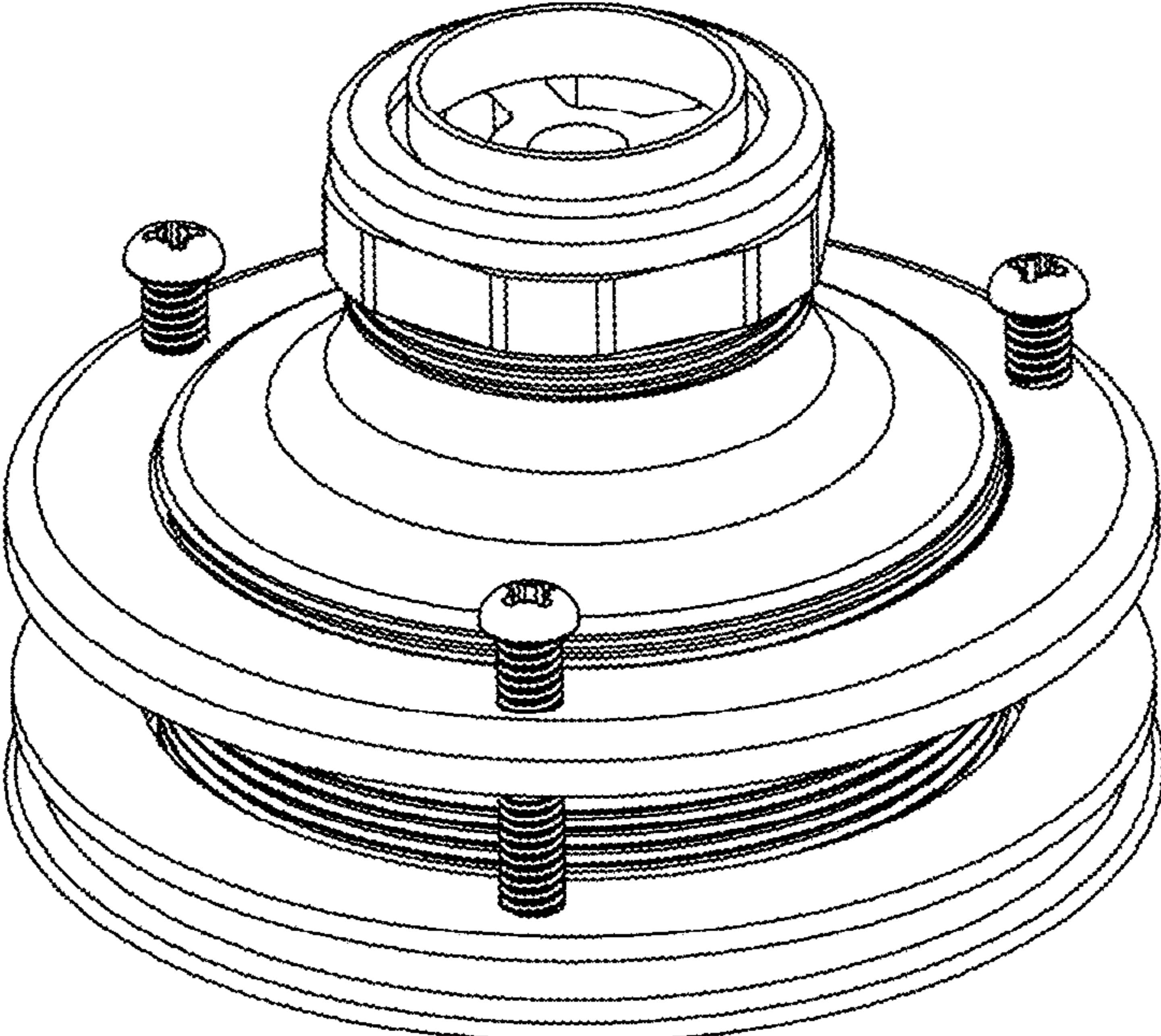


Fig. 8