



US00D745640S

(12) **United States Design Patent**  
**Russell et al.**

(10) **Patent No.:** **US D745,640 S**  
(45) **Date of Patent:** **\*\* Dec. 15, 2015**

(54) **GAS VALVE ASSEMBLY WITH INTEGRATED PRESSURE REGULATOR**

(71) Applicants: **Steven L. Russell**, Cabool, MO (US);  
**David Crites**, West Plains, MO (US)

(72) Inventors: **Steven L. Russell**, Cabool, MO (US);  
**David Crites**, West Plains, MO (US)

(73) Assignee: **Robertshaw Controls Company**, Itasca, IL (US)

(\*\*) Term: **14 Years**

(21) Appl. No.: **29/504,197**

(22) Filed: **Oct. 2, 2014**

(51) **LOC (10) Cl.** ..... **23-01**

(52) **U.S. Cl.**  
USPC ..... **D23/245**

(58) **Field of Classification Search**  
USPC ..... D23/233–269; 137/382, 613, 15.18,  
137/505.37, 202, 558, 559, 614.2, 614,  
137/505.46; 251/175, 129.01; 431/89  
CPC ..... E03B 1/00; G05D 16/2013; A62C 35/60;  
F16K 17/00; F16K 15/188  
See application file for complete search history.

(56) **References Cited**

U.S. PATENT DOCUMENTS

4,243,374 A \* 1/1981 Demi ..... 431/89  
5,103,861 A \* 4/1992 Lin ..... 137/505.12  
6,789,572 B2 \* 9/2004 Pierog et al. .... 137/613  
D677,754 S \* 3/2013 Pierog et al. .... D23/233

8,636,023 B2 \* 1/2014 Burkhart et al. .... 137/202  
2003/0020037 A1 \* 1/2003 Pierog et al. .... 251/129.01  
2008/0029170 A1 \* 2/2008 O'Reilly ..... 137/613  
2014/0251472 A1 \* 9/2014 Woods ..... 137/599.11  
2014/0251474 A1 \* 9/2014 Oltman et al. .... 137/614.2

\* cited by examiner

*Primary Examiner* — Cynthia Ramirez

*Assistant Examiner* — Gino Colan

(74) *Attorney, Agent, or Firm* — Reinhart Boerner Van Deuren P.C.

(57) **CLAIM**

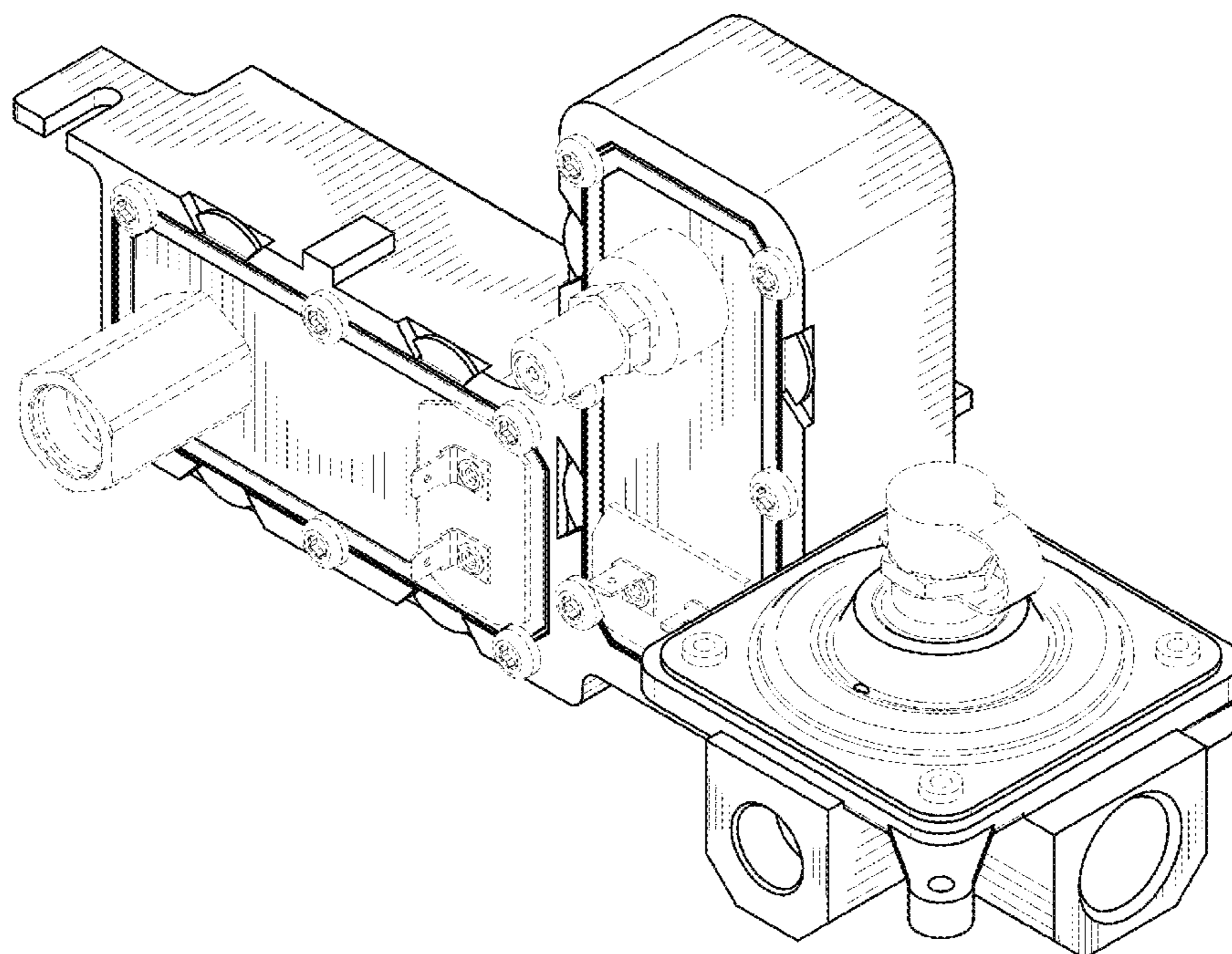
The ornamental design for a gas valve assembly with integrated pressure regulator, as shown and described.

**DESCRIPTION**

FIG. 1 is a perspective view of the gas valve assembly with integrated pressure regulator;  
FIG. 2 is another perspective view thereof;  
FIG. 3 is another perspective view thereof;  
FIG. 4 is front view thereof;  
FIG. 5 is a top view thereof;  
FIG. 6 is a back view thereof;  
FIG. 7 is a bottom view thereof;  
FIG. 8 is a side view thereof; and,  
FIG. 9 is another side view thereof, showing the side opposite that of FIG. 8.

The broken lines in the drawings are included for the purpose of illustrating portions of the gas valve assembly with integrated pressure regulator and form no part of the claimed design.

**1 Claim, 6 Drawing Sheets**



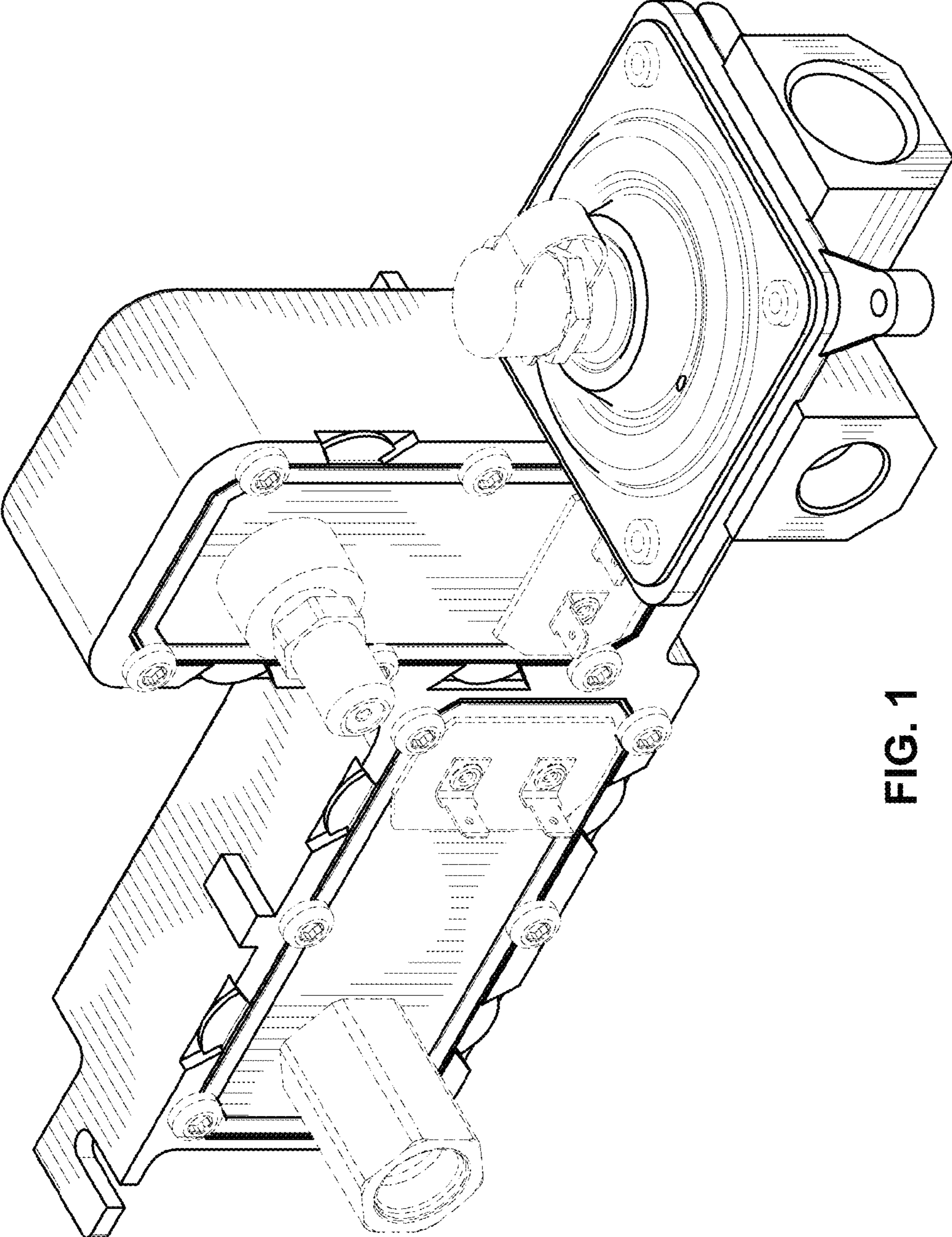


FIG. 1

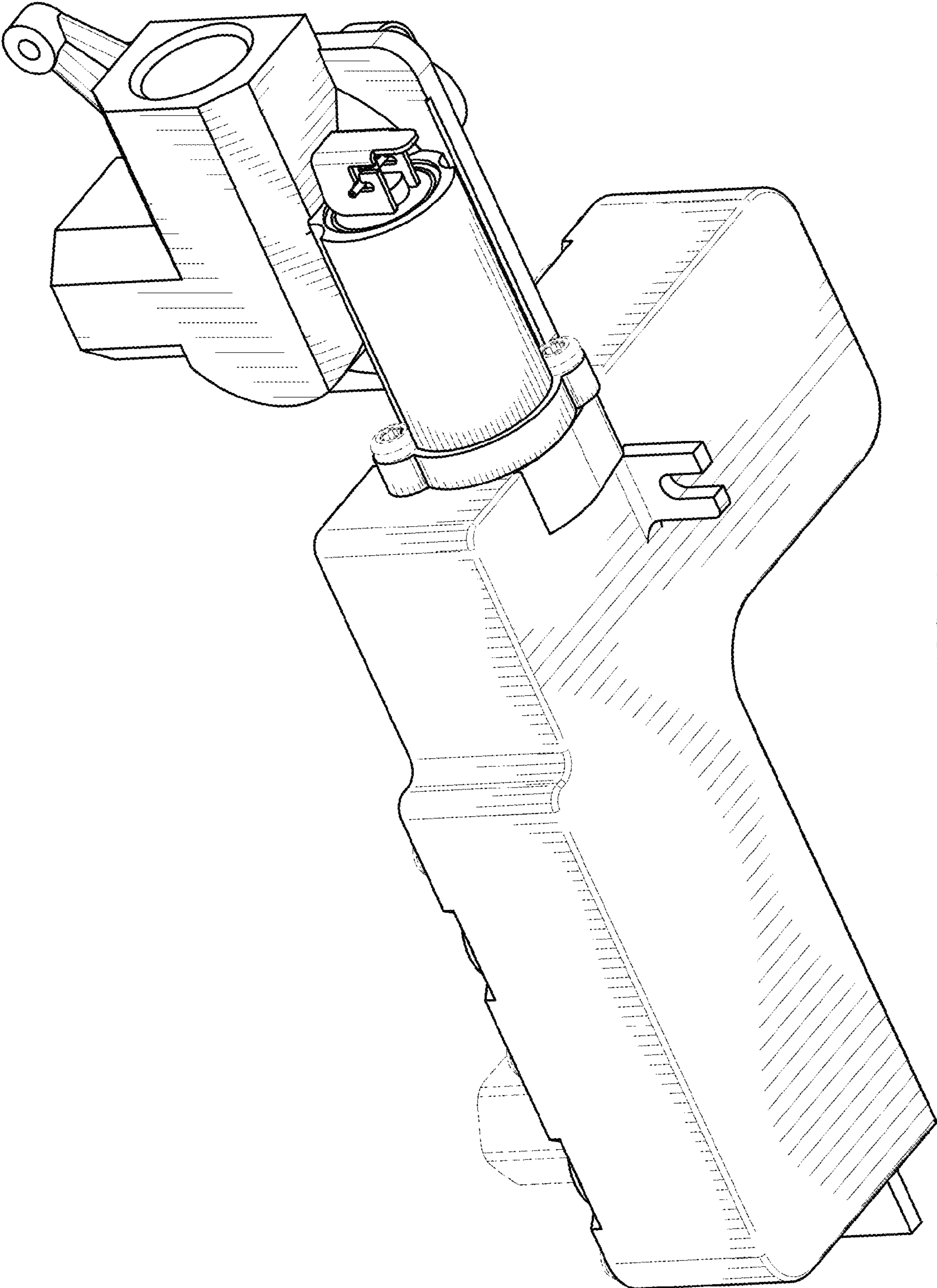


FIG. 2

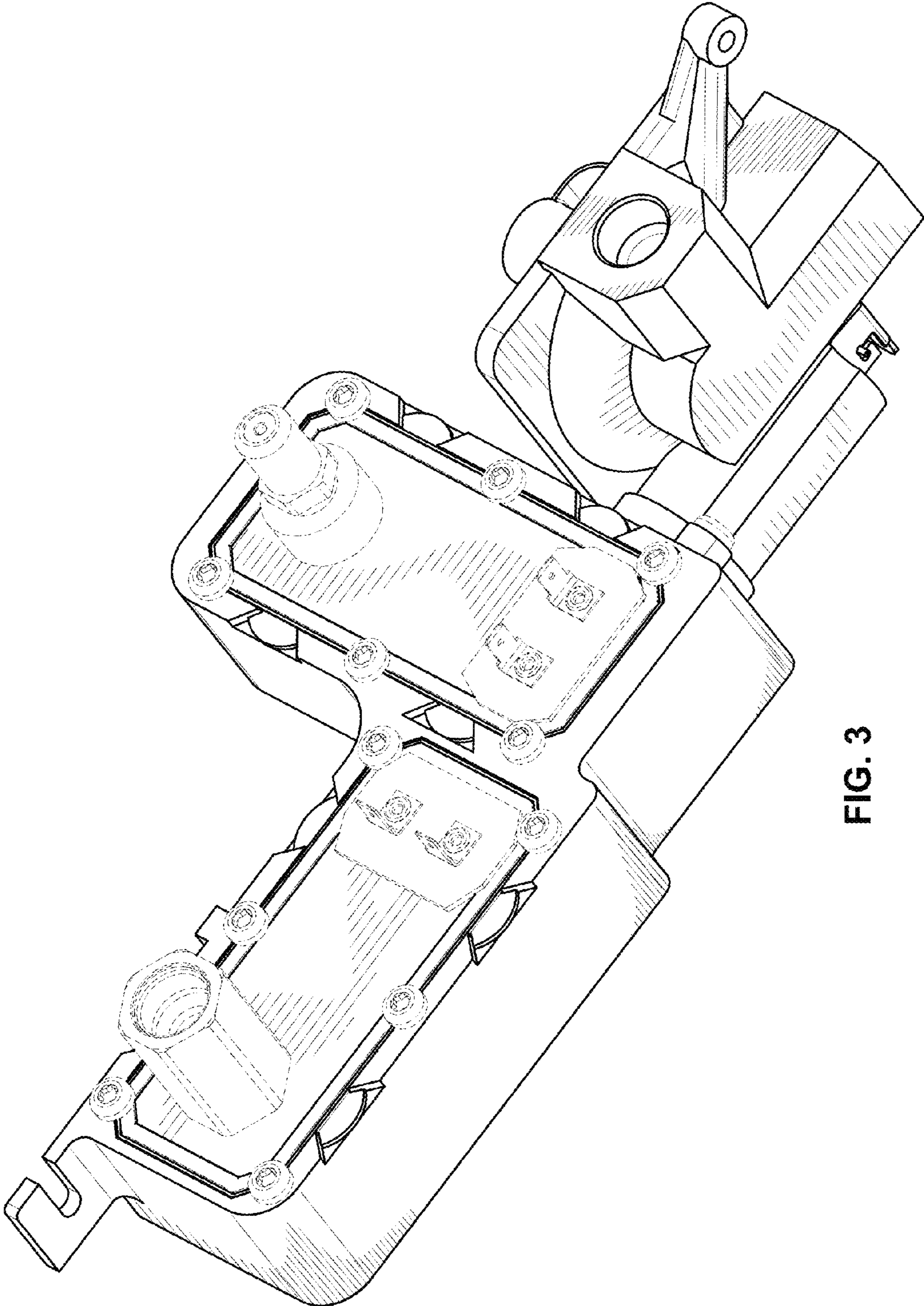


FIG. 3

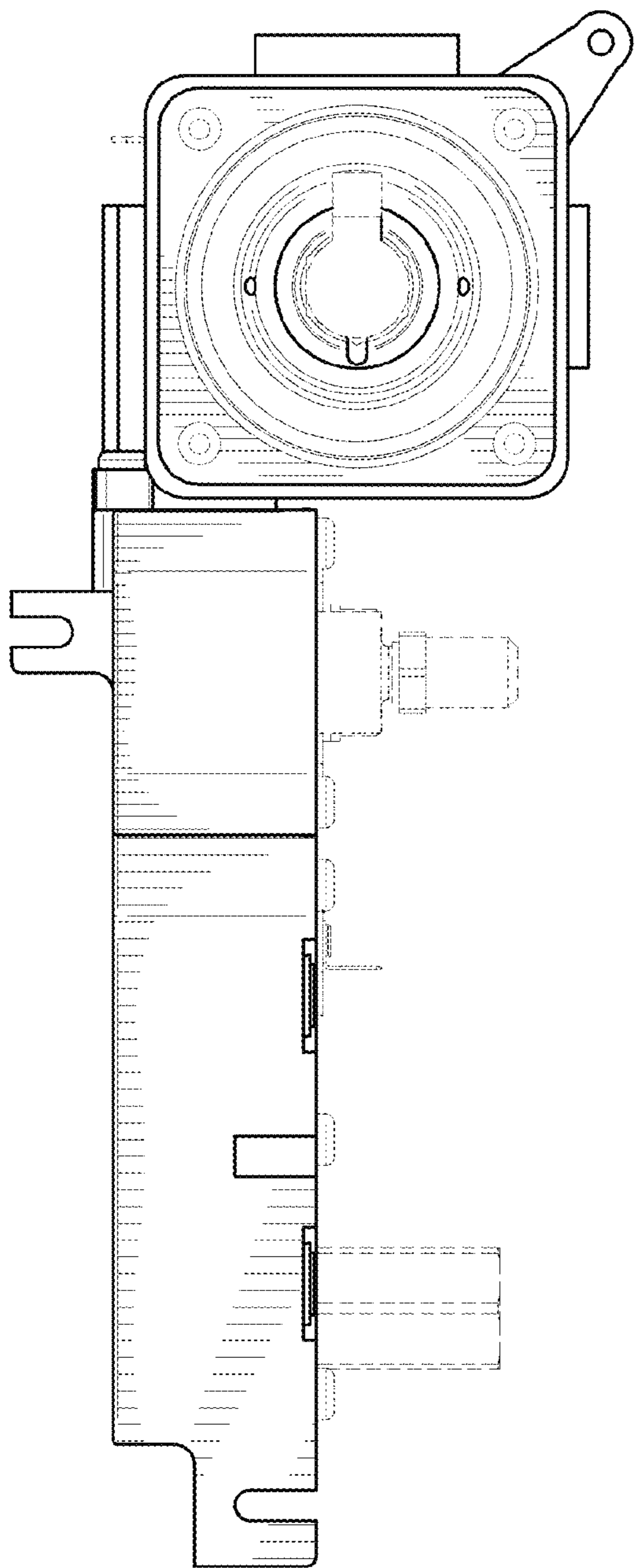


FIG. 4

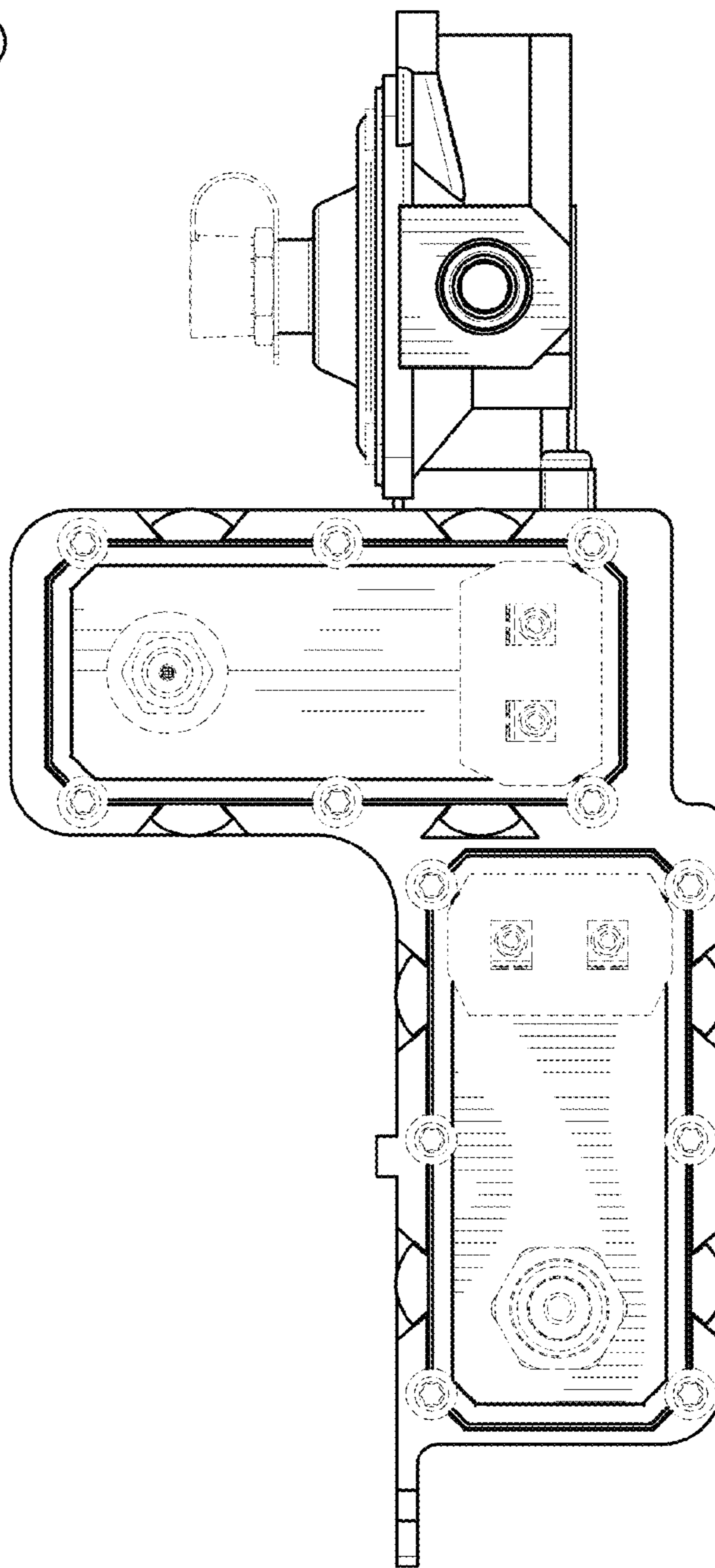


FIG. 5

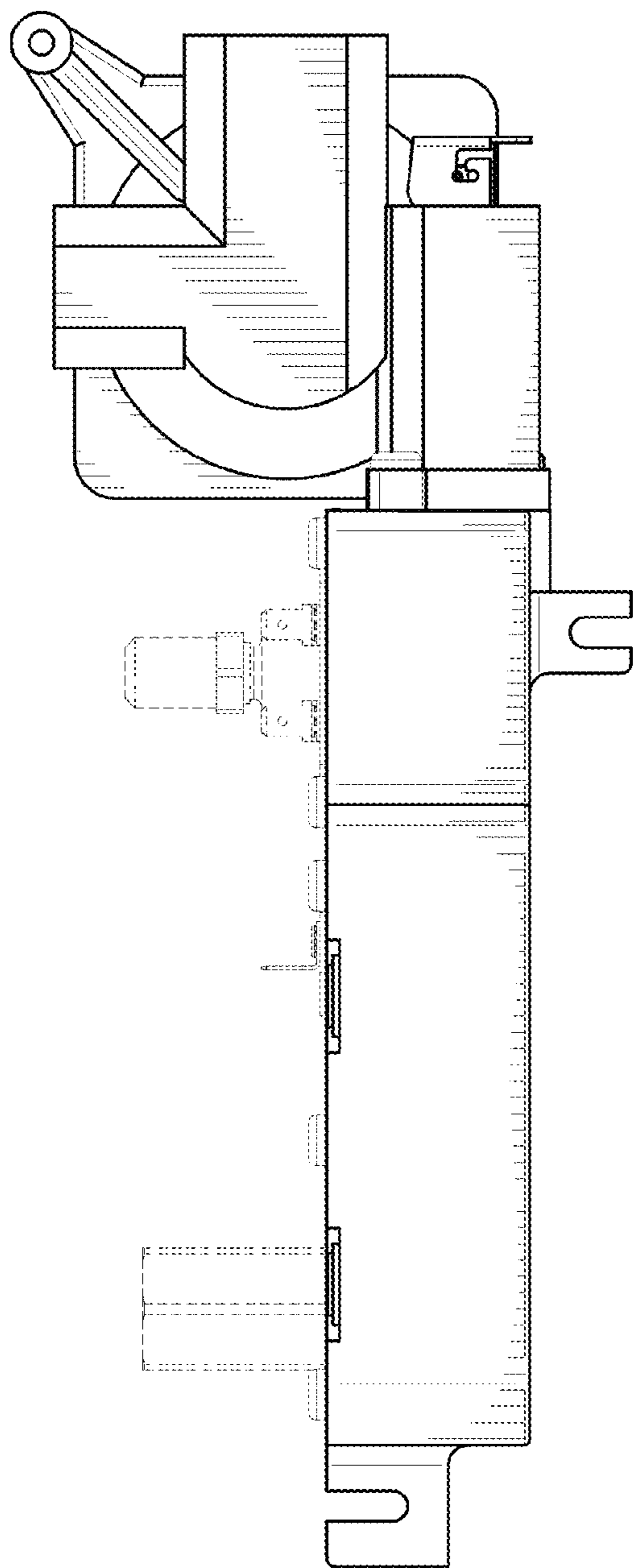


FIG. 6

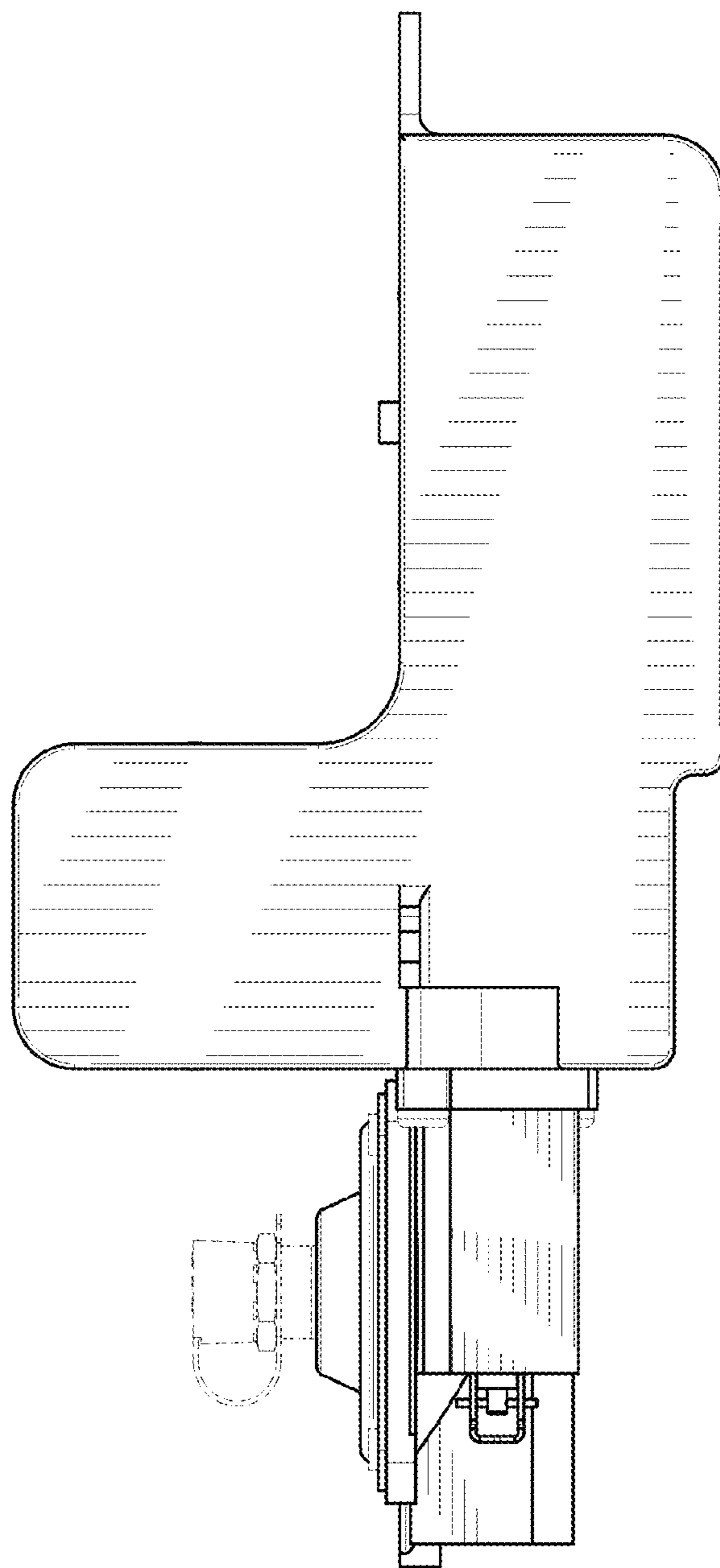


FIG. 7

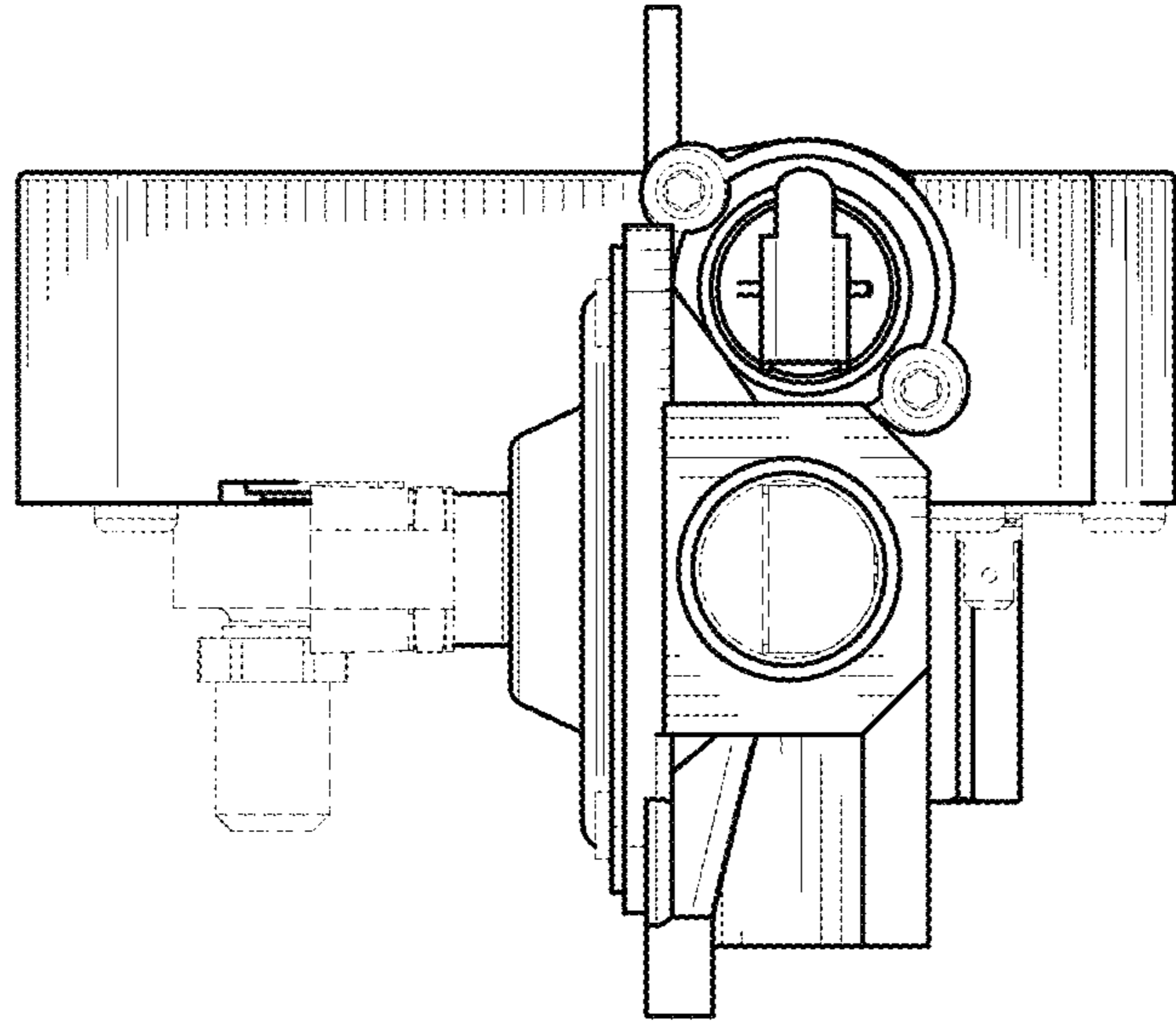


FIG. 9

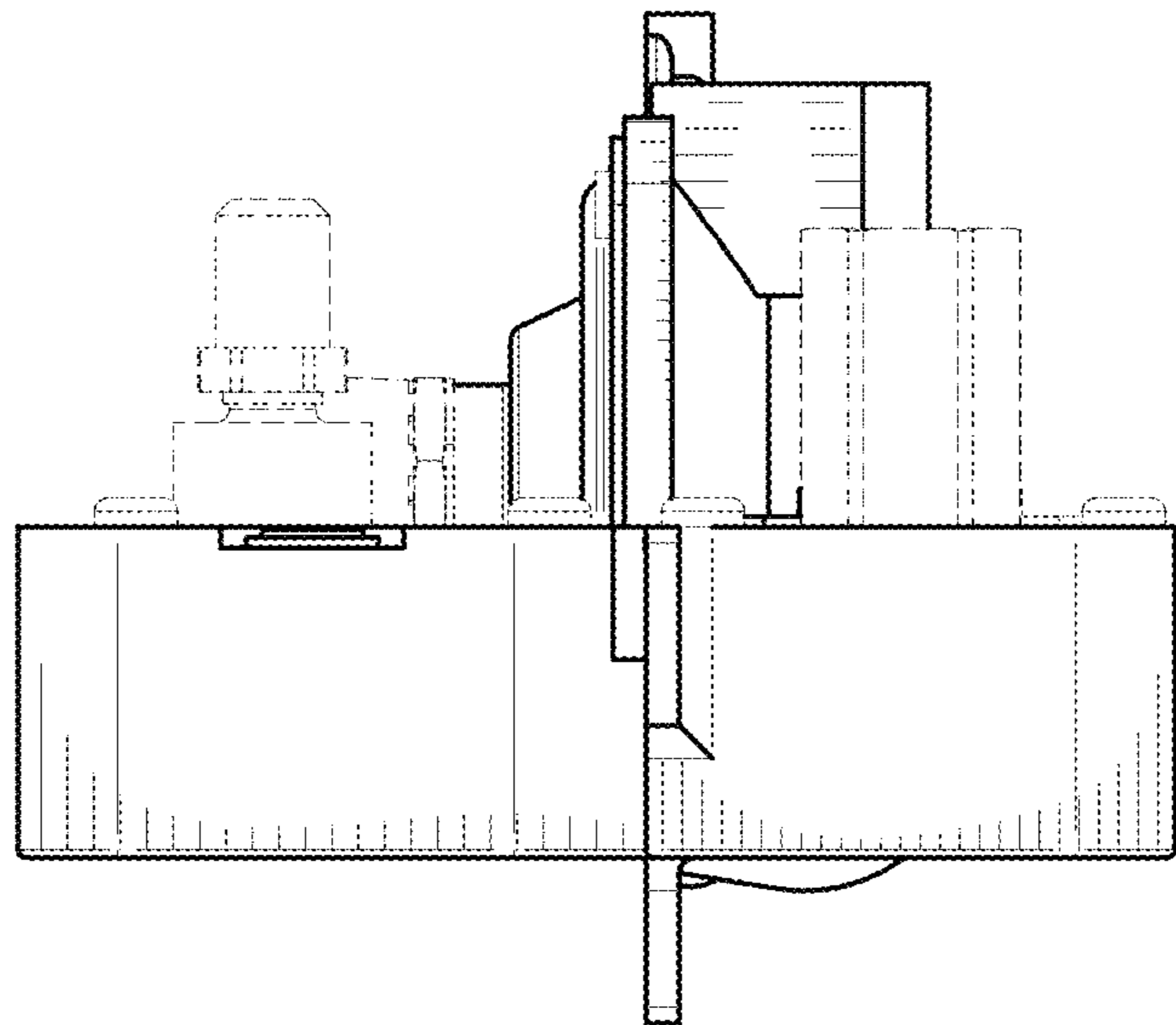


FIG. 8