



US00D745638S

(12) **United States Design Patent**
Hickman

(10) **Patent No.:** **US D745,638 S**

(45) **Date of Patent:** **** *Dec. 15, 2015**

(54) **TANK VALVE**

(71) Applicant: **Rock Smasher Engineering**, Las Vegas, NV (US)

(72) Inventor: **Patrick Hickman**, Las Vegas, NV (US)

(73) Assignee: **Rock Smasher Engineering**, Las Vegas, NV (US)

(*) Notice: This patent is subject to a terminal disclaimer.

(**) Term: **14 Years**

(21) Appl. No.: **29/483,477**

(22) Filed: **Feb. 28, 2014**

(51) **LOC (10) Cl.** **23-01**

(52) **U.S. Cl.**
USPC **D23/233**

(58) **Field of Classification Search**
USPC D23/233–237, 244–249; 137/237, 247, 137/259, 260; 251/366, 129.11, 285
CPC F16K 1/08; F16K 1/523; F16K 31/04
See application file for complete search history.

(56) **References Cited**

U.S. PATENT DOCUMENTS

2,339,101	A	*	1/1944	Parker	137/514.5
D390,916	S	*	2/1998	Valenzuela	D23/235
D435,635	S	*	12/2000	Taneya	D23/233
D518,874	S	*	4/2006	Takeda et al.	D23/233
D606,167	S	*	12/2009	Nimberger	D23/233
D624,157	S	*	9/2010	Nimberger	D23/237
D694,280	S	*	11/2013	Frazier	D15/21
D700,683	S	*	3/2014	Atwell	D23/235
D717,399	S	*	11/2014	Kacik et al.	D23/235

2010/0127202	A1	*	5/2010	Bors et al.	251/366
2012/0305117	A1	*	12/2012	Huang	137/801
2014/0020777	A1	*	1/2014	Kacik et al.	137/801

* cited by examiner

Primary Examiner — Cynthia Ramirez

(57) **CLAIM**

The ornamental design for a tank valve, as shown.

DESCRIPTION

FIG. 1 illustrates a front perspective view of a tank valve in accordance with a preferred embodiment of the present invention;

FIG. 2 illustrates a back perspective view of the tank valve in accordance with a preferred embodiment of the present invention;

FIG. 3 illustrates a front view of the tank valve in accordance with a preferred embodiment of the present invention;

FIG. 4 illustrates a back view of the tank valve in accordance with a preferred embodiment of the present invention;

FIG. 5 illustrates a right side view of the tank valve in accordance with a preferred embodiment of the present invention; and

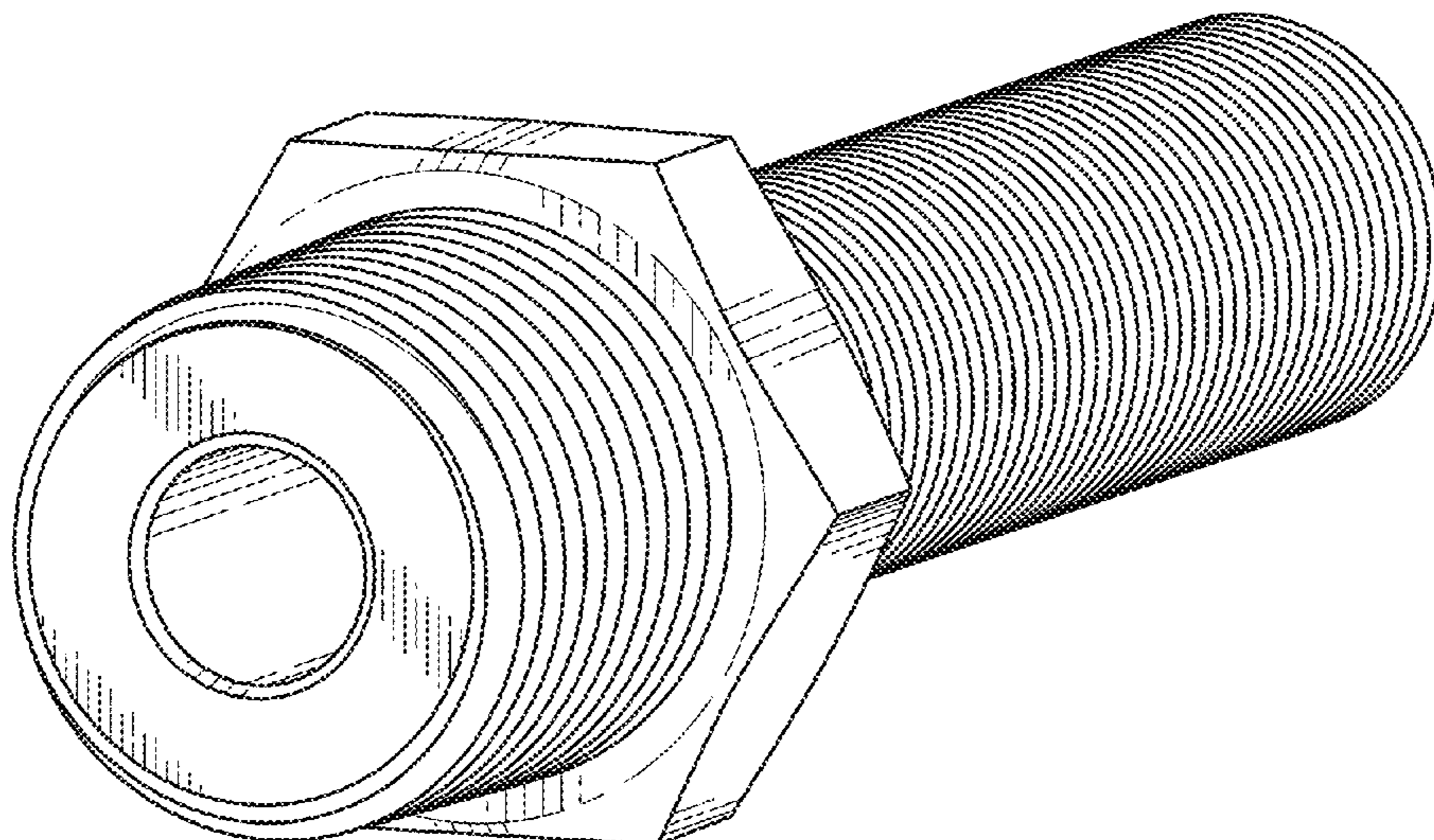
FIG. 6 illustrates a left side view of the tank valve in accordance with a preferred embodiment of the present invention.

FIG. 7 illustrates a top view of the tank valve in accordance with a preferred embodiment of the present invention;

FIG. 8 illustrates a bottom view of the tank valve in accordance with a preferred embodiment of the present invention; and,

FIG. 9 illustrates a cross-section view of the tank valve, in accordance with a preferred embodiment of the present invention.

1 Claim, 9 Drawing Sheets



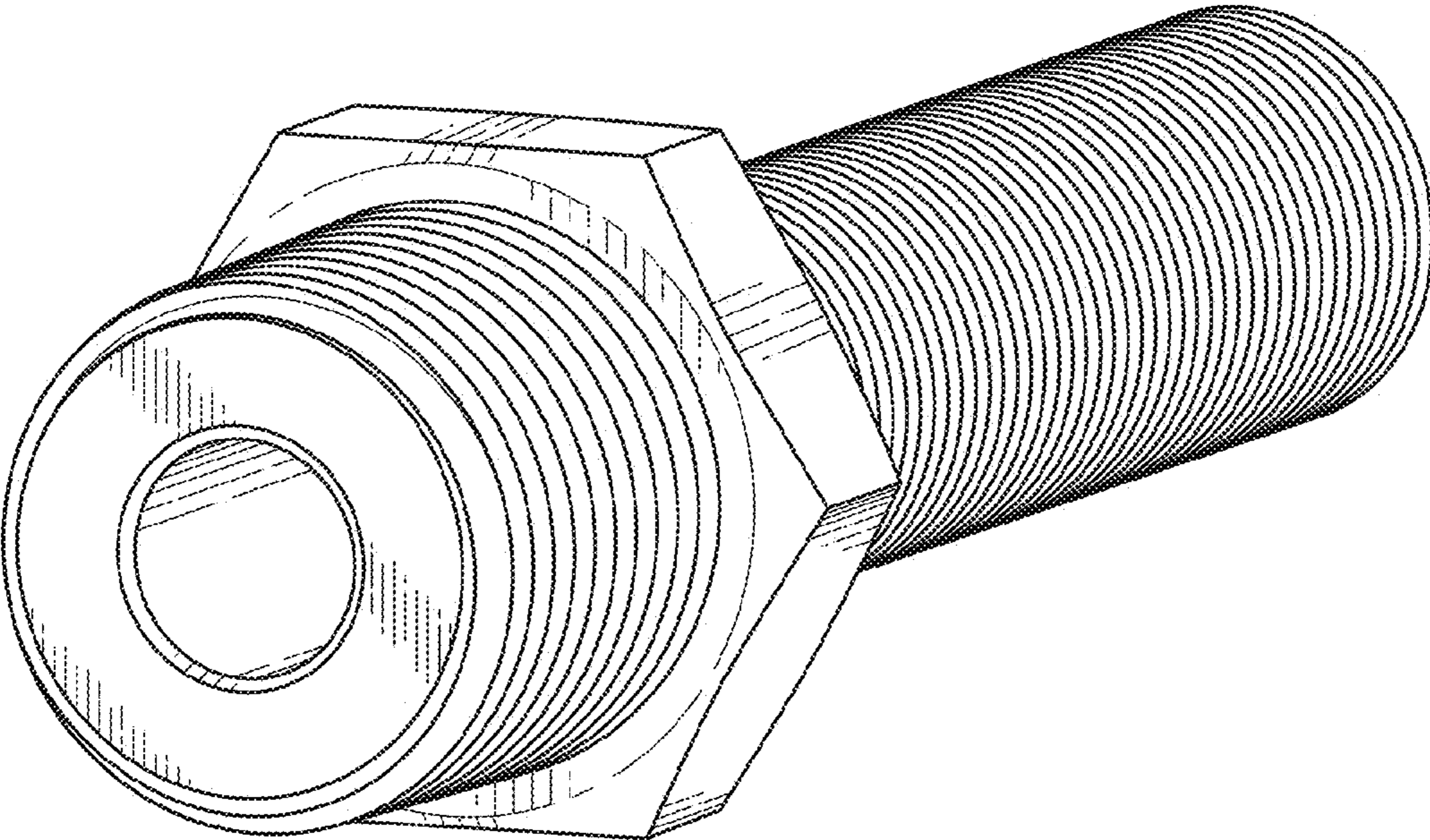


FIG. 1

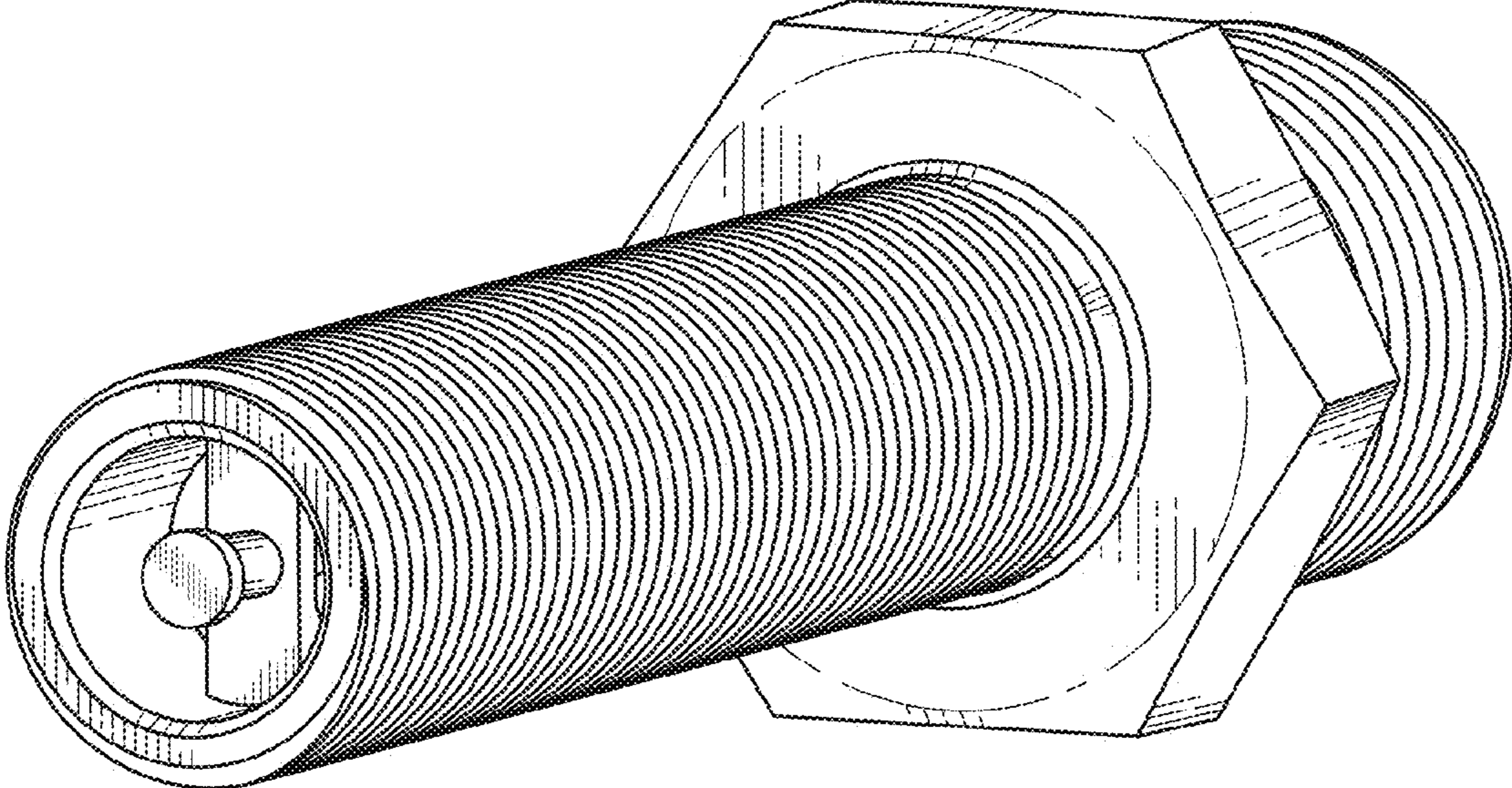


FIG. 2

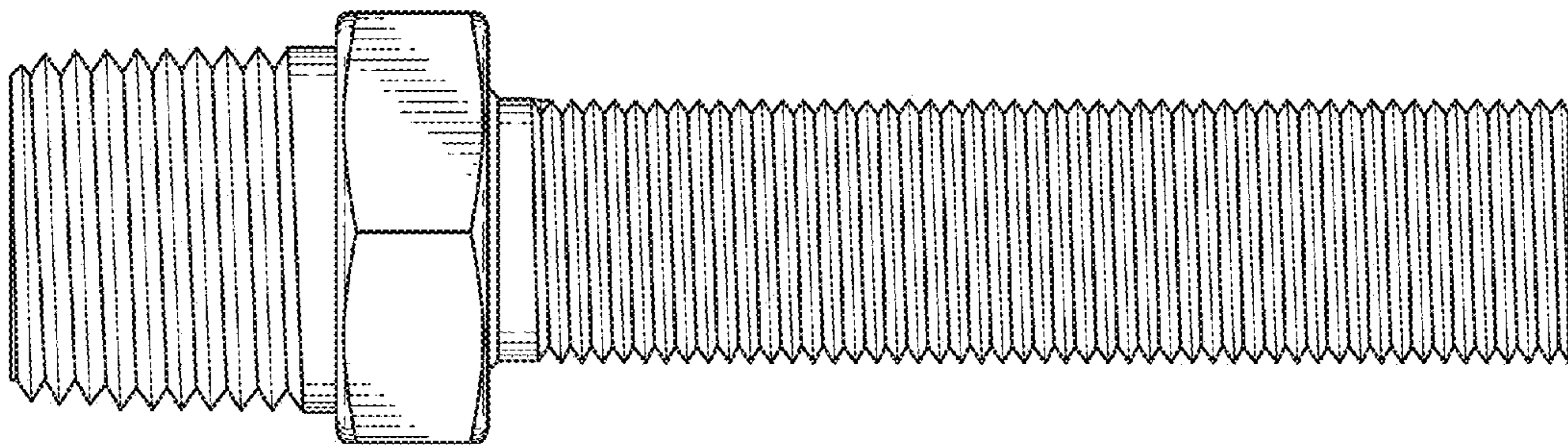


FIG. 3

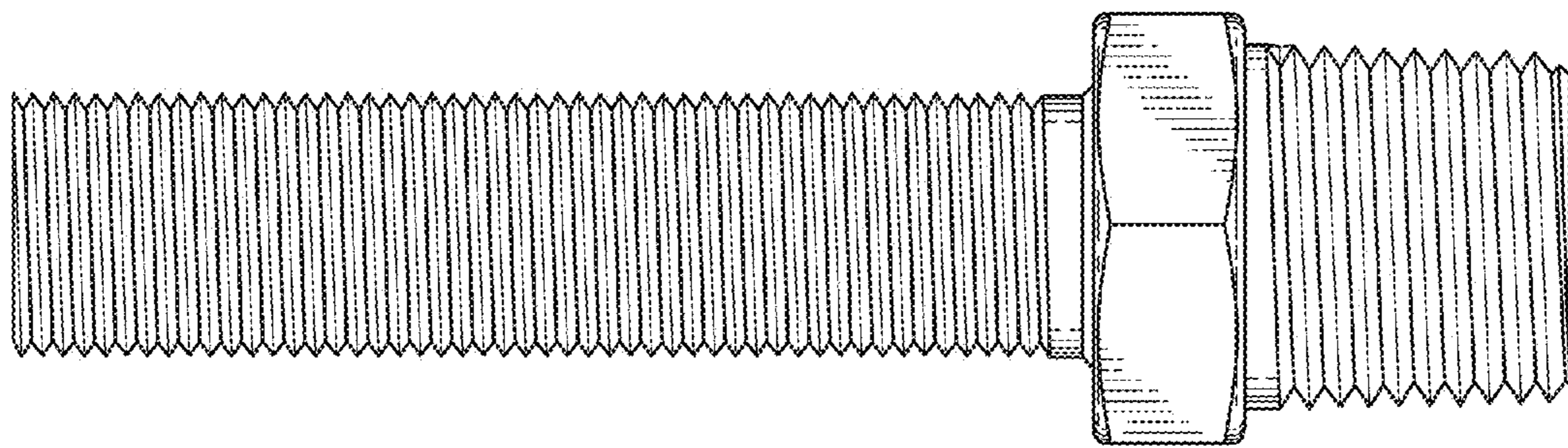


FIG. 4

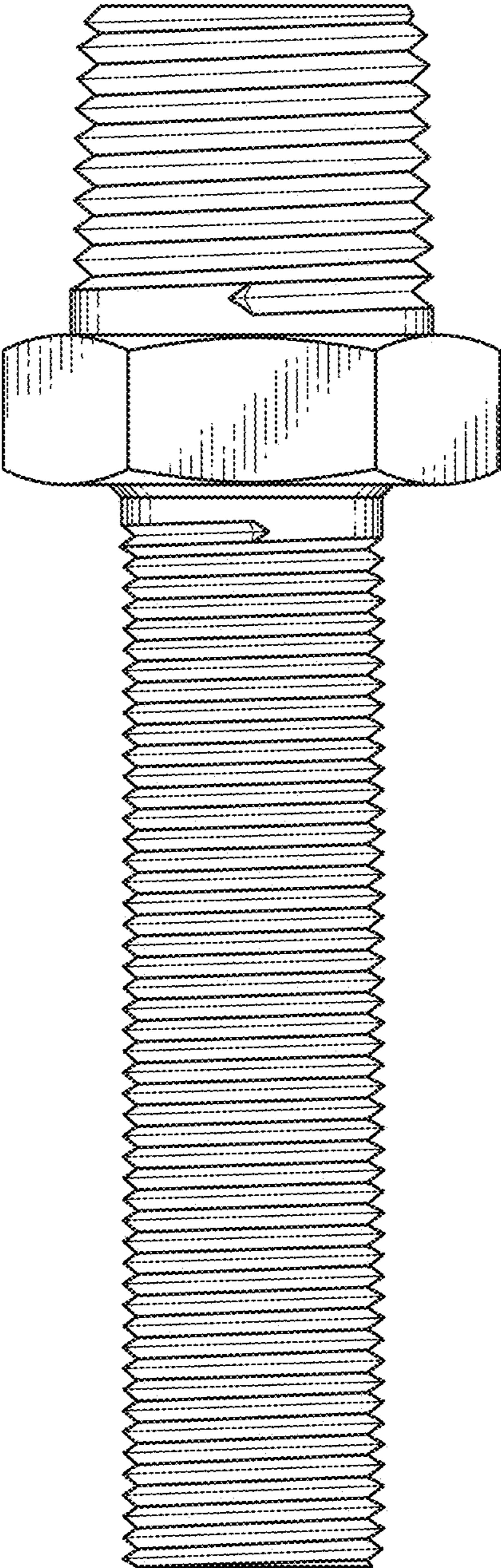


FIG. 5

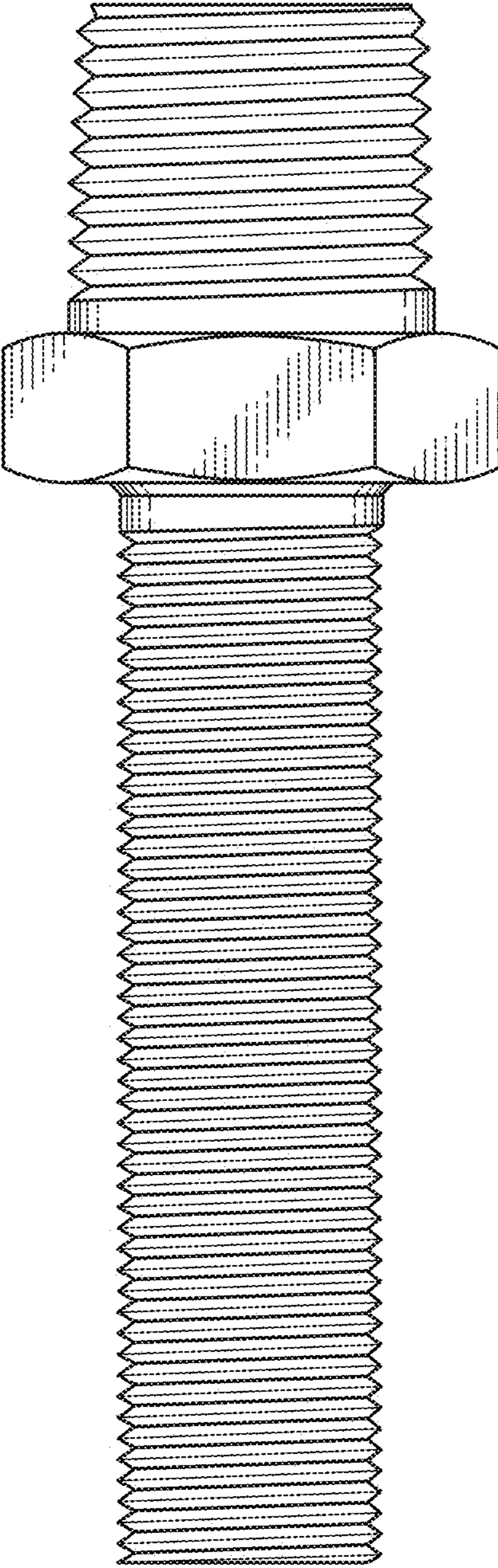


FIG. 6

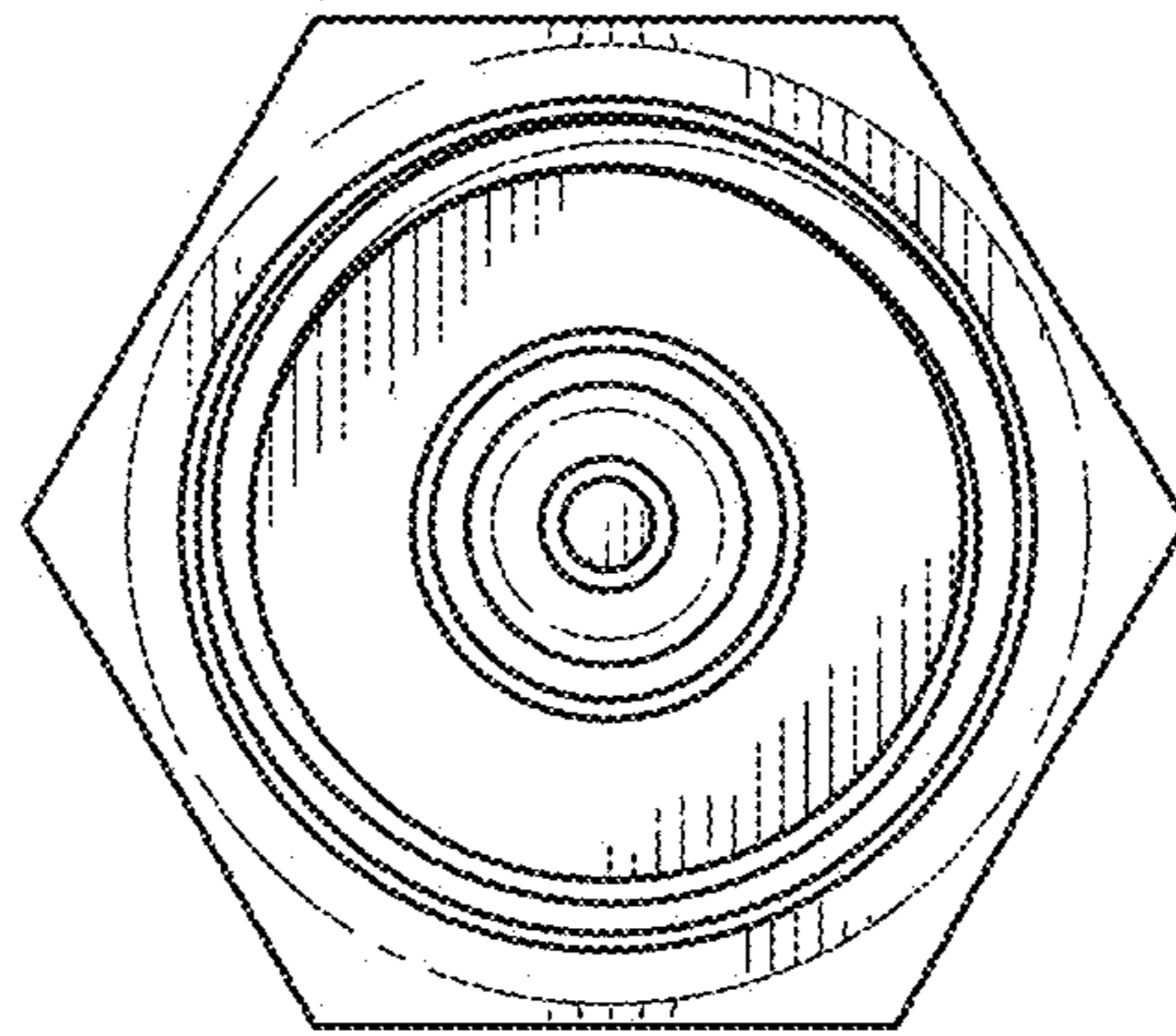


FIG. 7

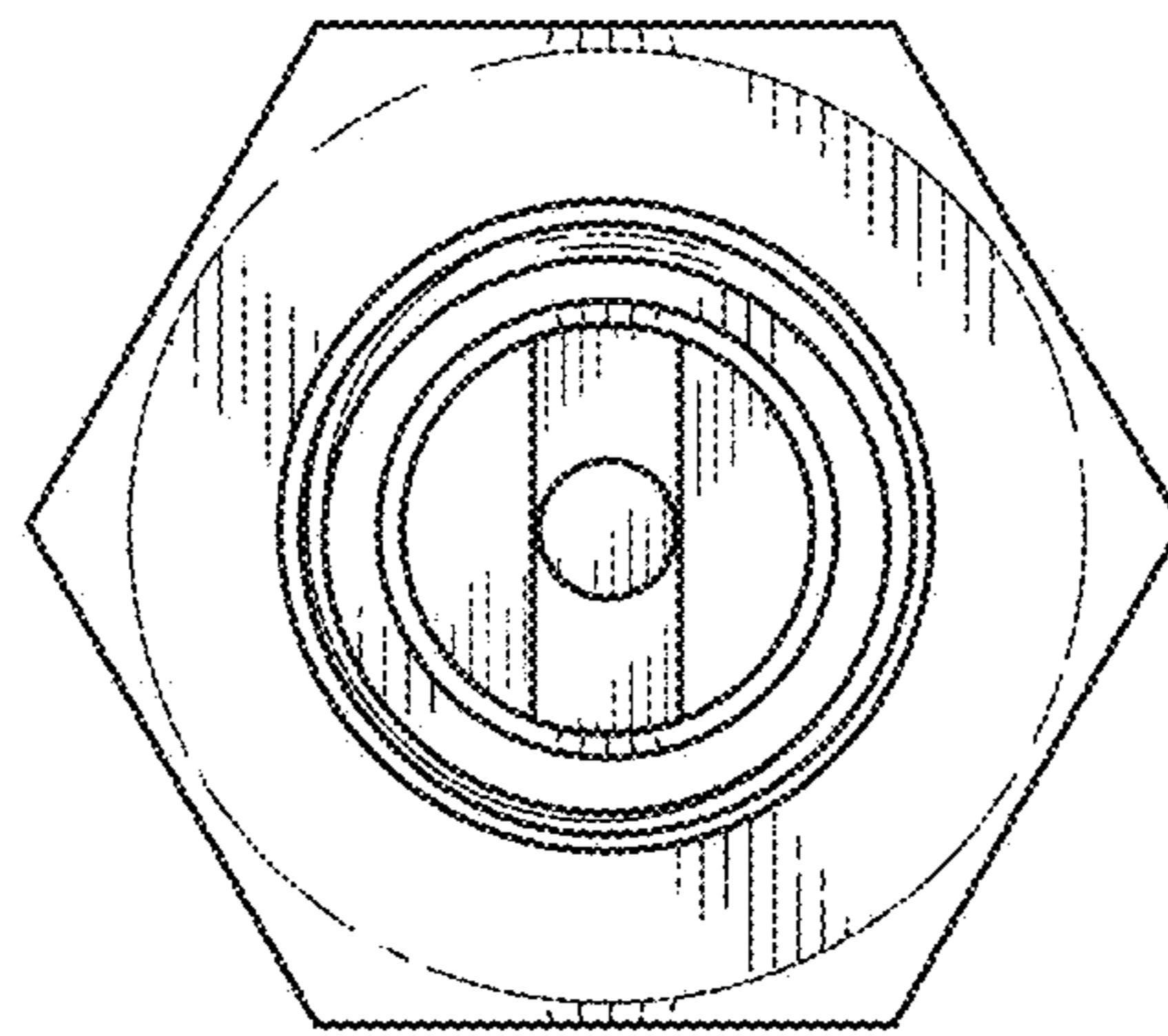


FIG. 8

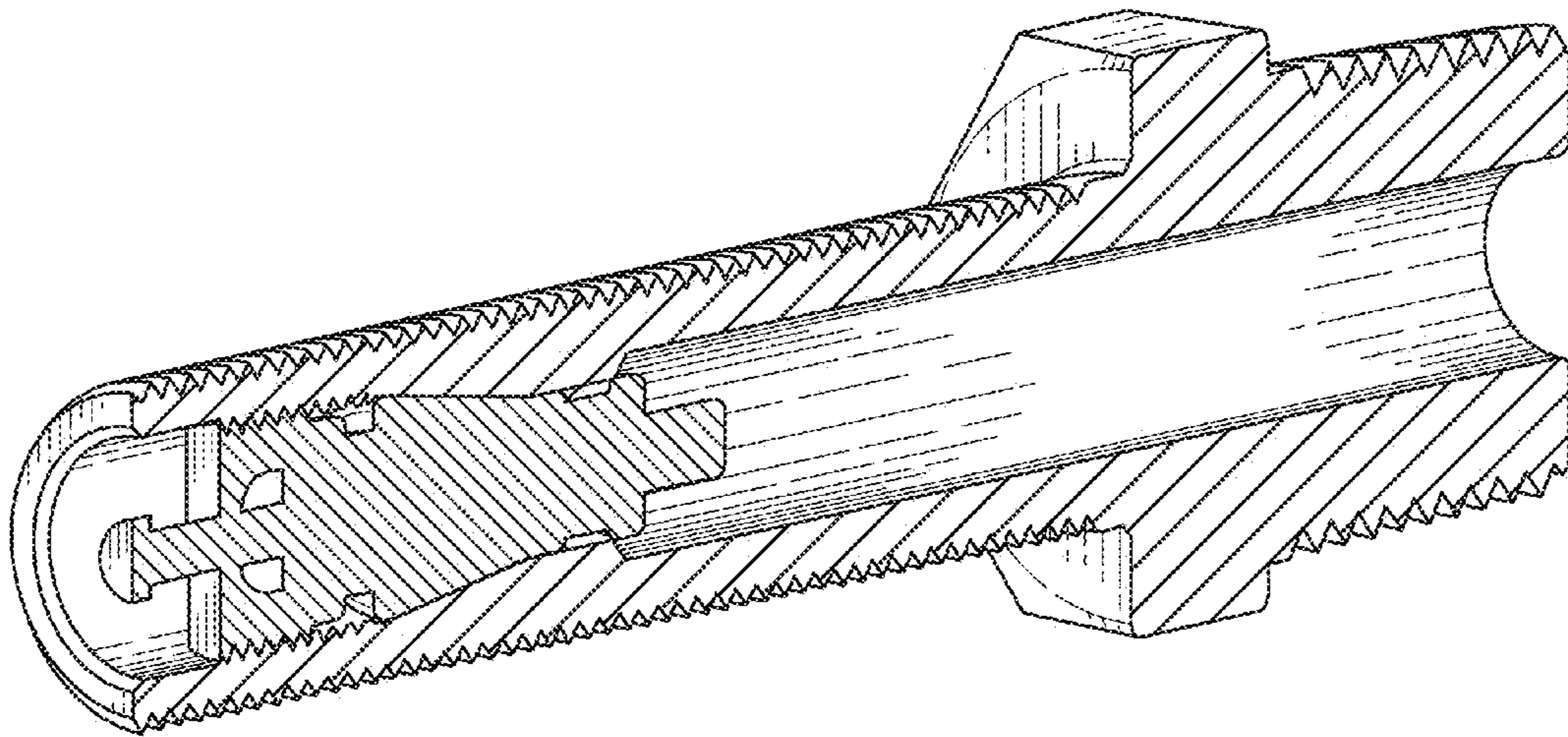


FIG. 9