



US00D745636S

(12) **United States Design Patent**  
**Lin**

(10) **Patent No.:** **US D745,636 S**  
(45) **Date of Patent:** **\*\* Dec. 15, 2015**

(54) **SPRAY GUN BODY**

(56) **References Cited**

(71) Applicant: **ZONEKING INDUSTRIAL CO., LTD.**, Taichung (TW)

(72) Inventor: **Chin-Chou Lin**, Taichung (TW)

(73) Assignee: **ZONEKING INDUSTRIAL CO., LTD.**, Taichung (TW)

(\*\*) Term: **14 Years**

(21) Appl. No.: **29/508,041**

(22) Filed: **Nov. 3, 2014**

(51) **LOC (10) Cl.** ..... **23-01**

(52) **U.S. Cl.**  
USPC ..... **D23/226**

(58) **Field of Classification Search**  
USPC ..... D23/213, 223, 226; 239/525-527  
CPC ..... B25B 9/01; B05B 7/1209  
See application file for complete search history.

U.S. PATENT DOCUMENTS

|                |        |         |       |                      |
|----------------|--------|---------|-------|----------------------|
| D591,397 S *   | 4/2009 | Rigolio | ..... | D23/226              |
| D683,427 S *   | 5/2013 | Moore   | ..... | D23/226              |
| D685,058 S *   | 6/2013 | Rigolio | ..... | D23/226              |
| 8,814,066 B2 * | 8/2014 | Hung    | ..... | B05B 1/18<br>239/525 |

\* cited by examiner

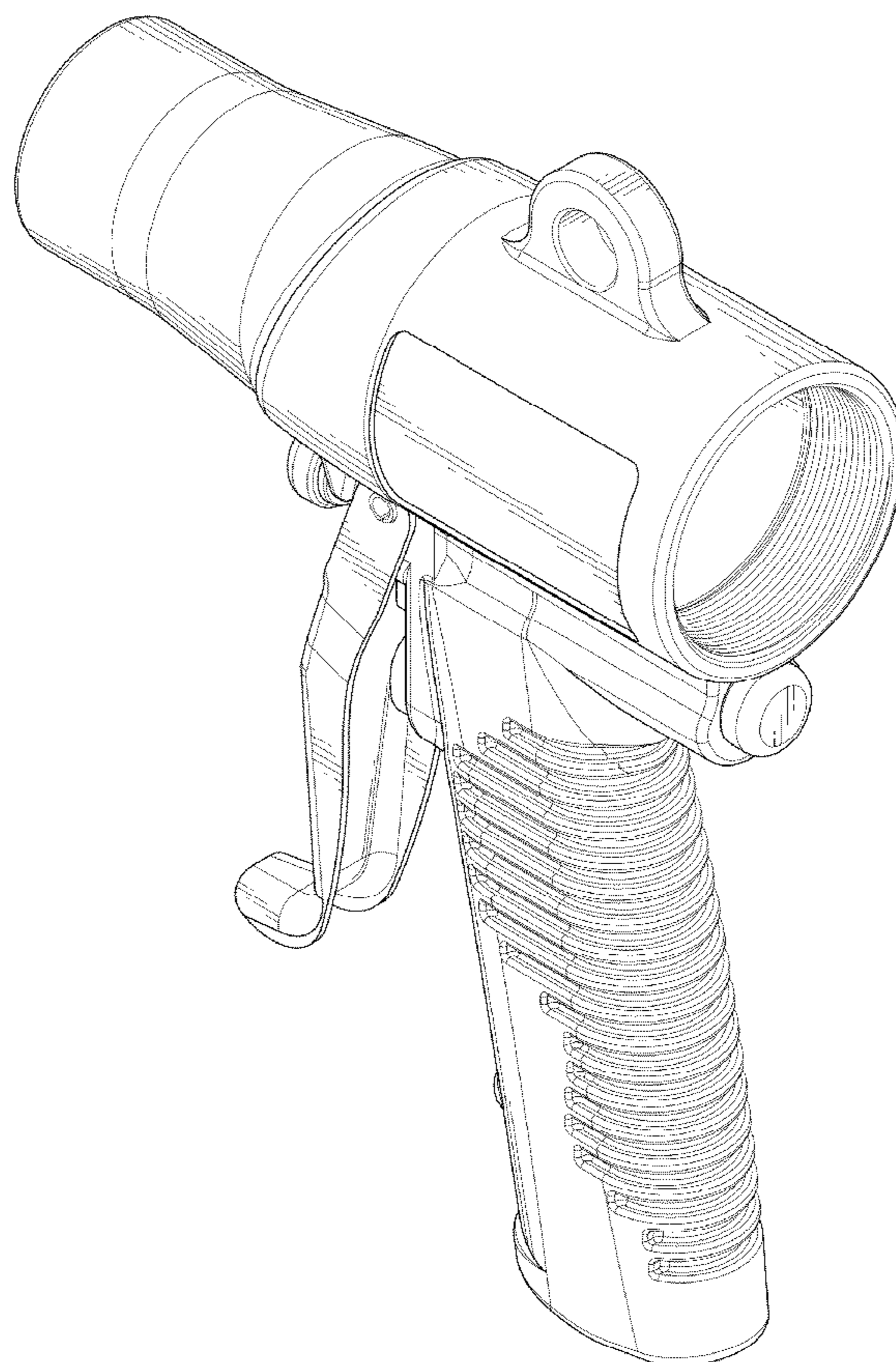
*Primary Examiner* — Robin V Webster  
(74) *Attorney, Agent, or Firm* — Jackson IPG PLLC;  
Demian K. Jackson

(57) **CLAIM**  
The ornamental design for a spray gun body, as shown and described.

**DESCRIPTION**

FIG. 1 a perspective view of a spray gun body showing my new design;  
FIG. 2 is a front elevation view thereof;  
FIG. 3 is a rear elevation view thereof;  
FIG. 4 is a left side view thereof;  
FIG. 5 is a right side view thereof;  
FIG. 6 is a top plan view thereof; and,  
FIG. 7 is a bottom plan view thereof.

**1 Claim, 6 Drawing Sheets**



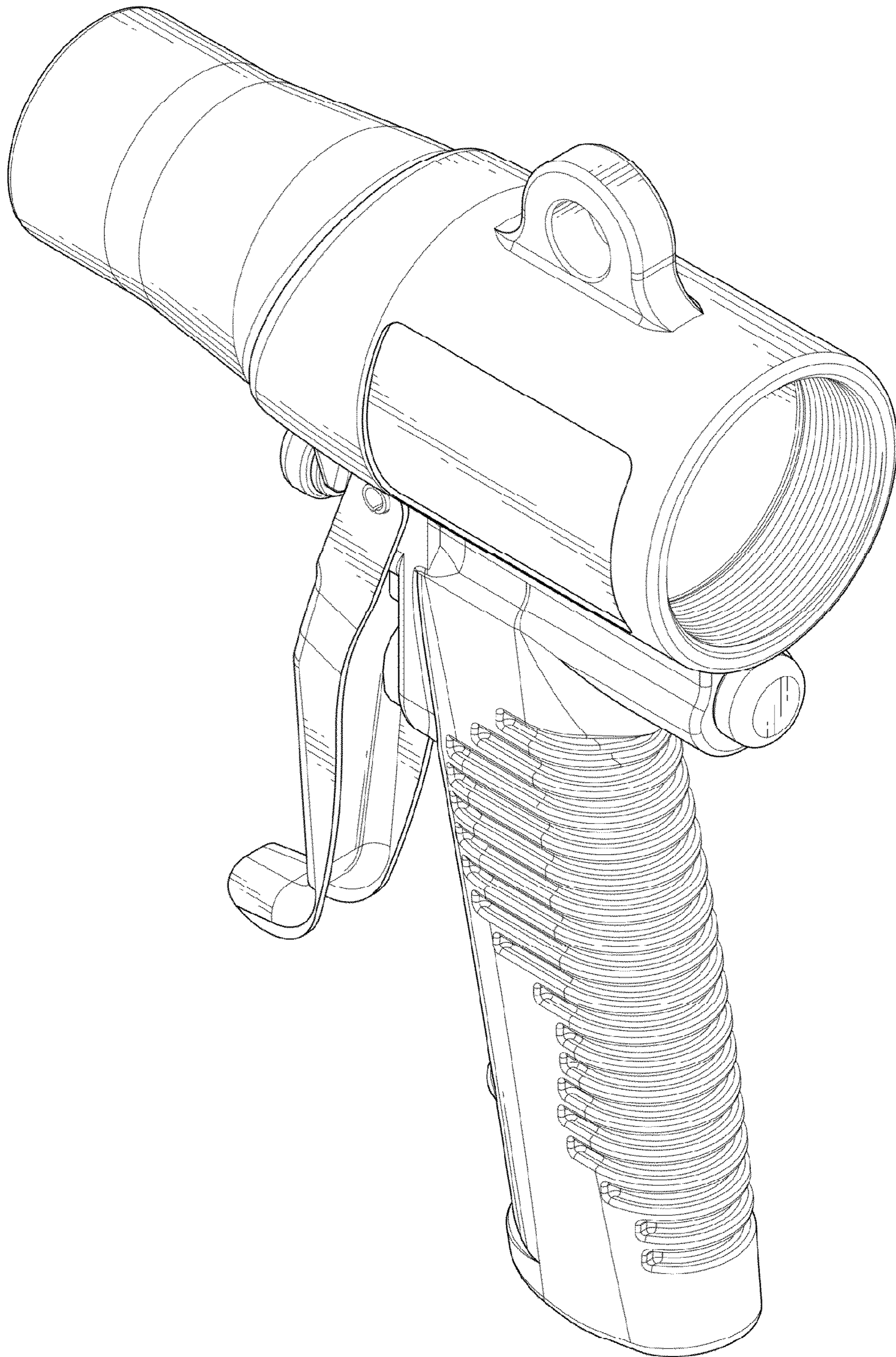


Fig. 1

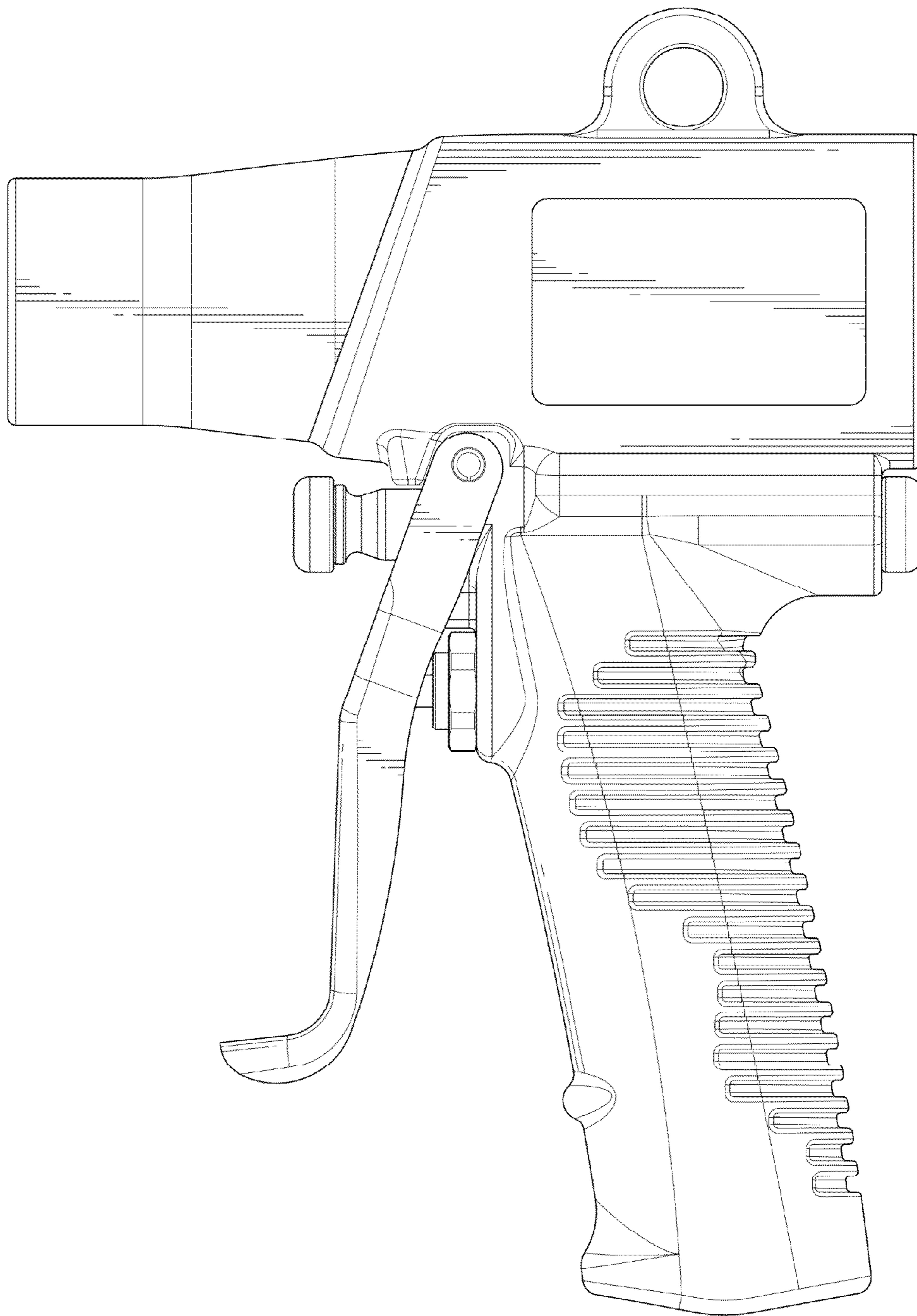


Fig. 2

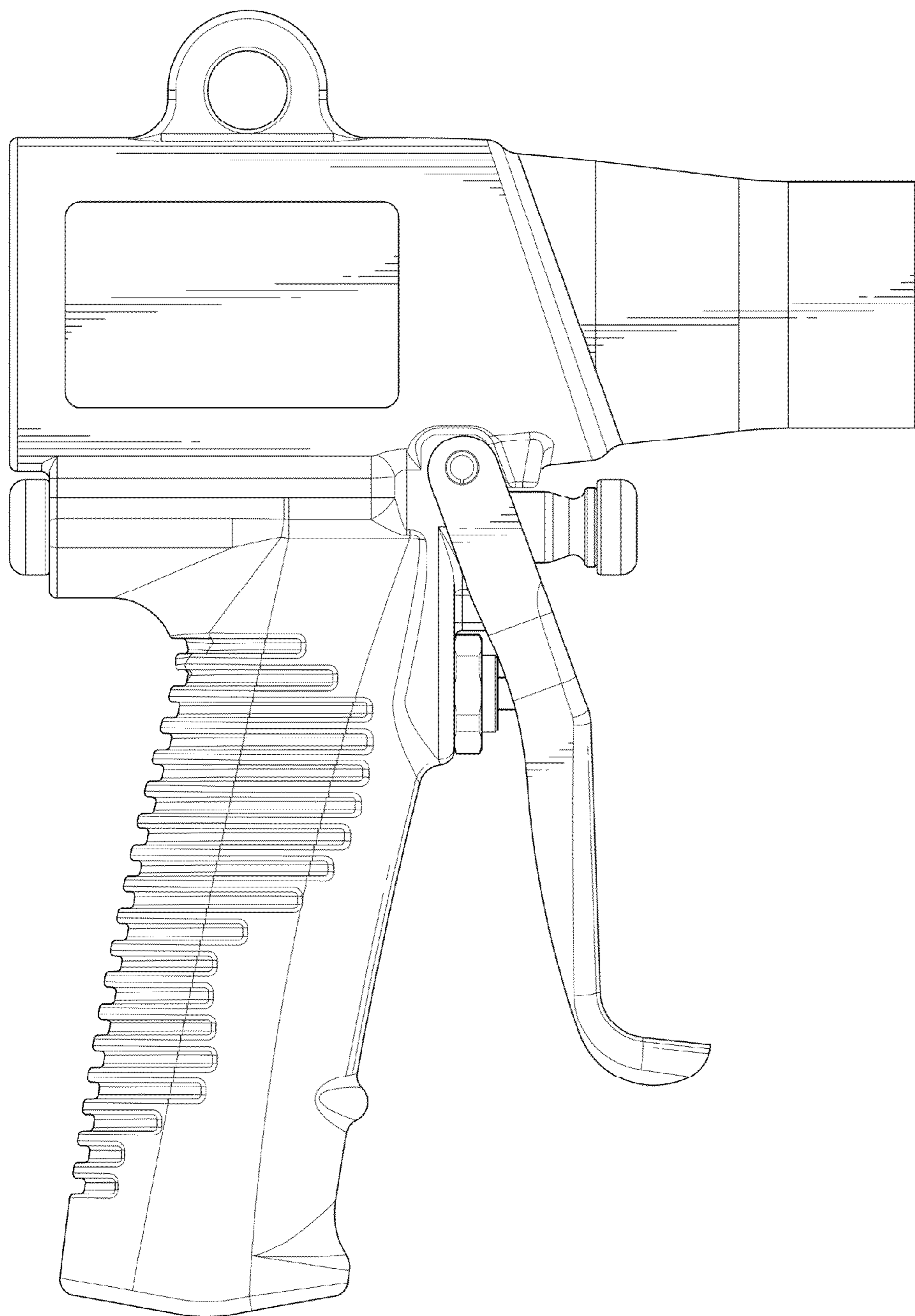


Fig. 3

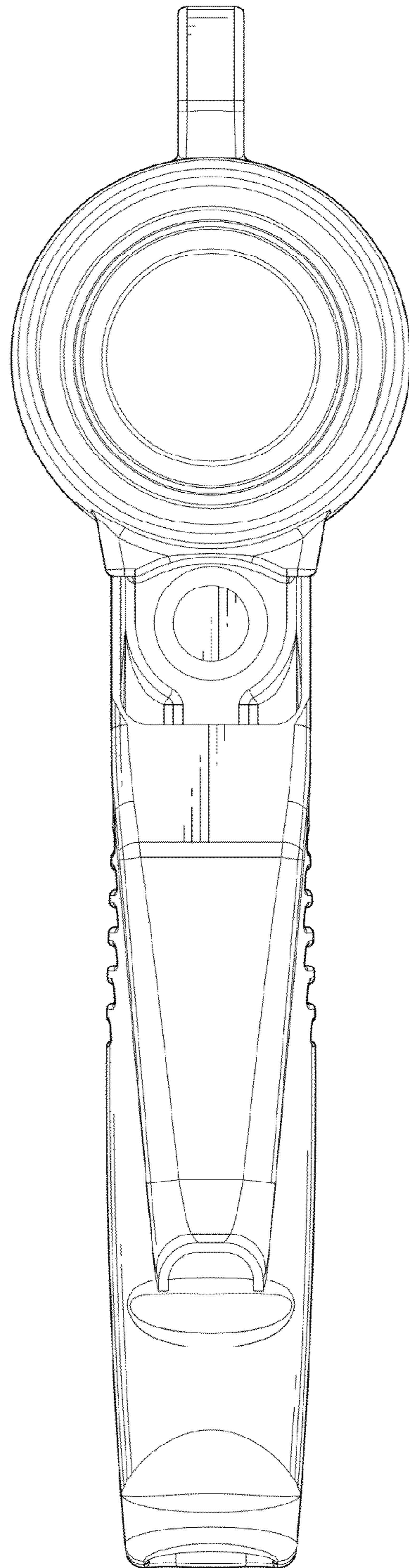


Fig. 4

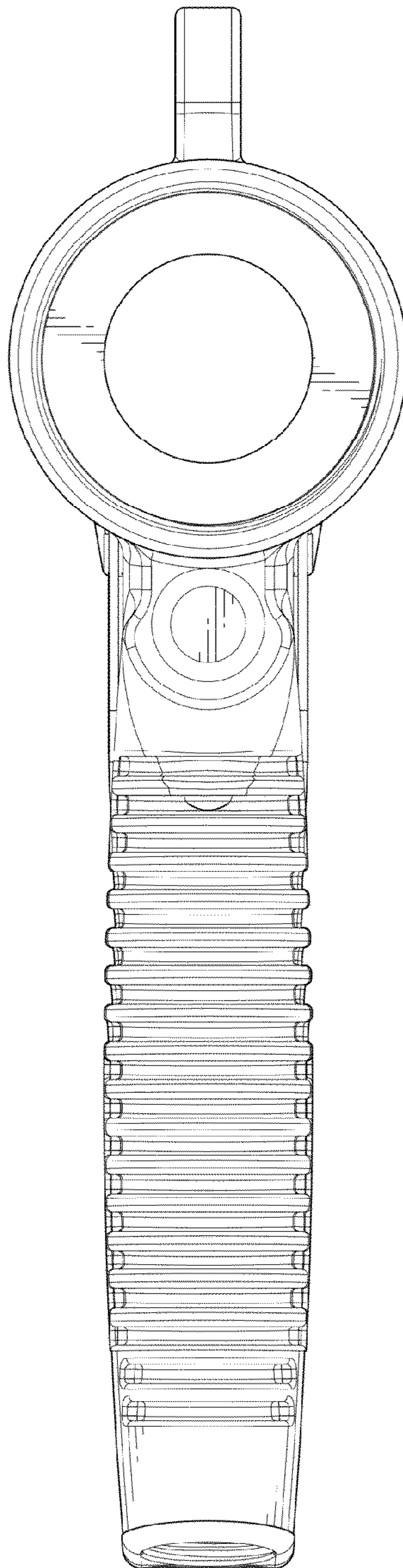


Fig. 5

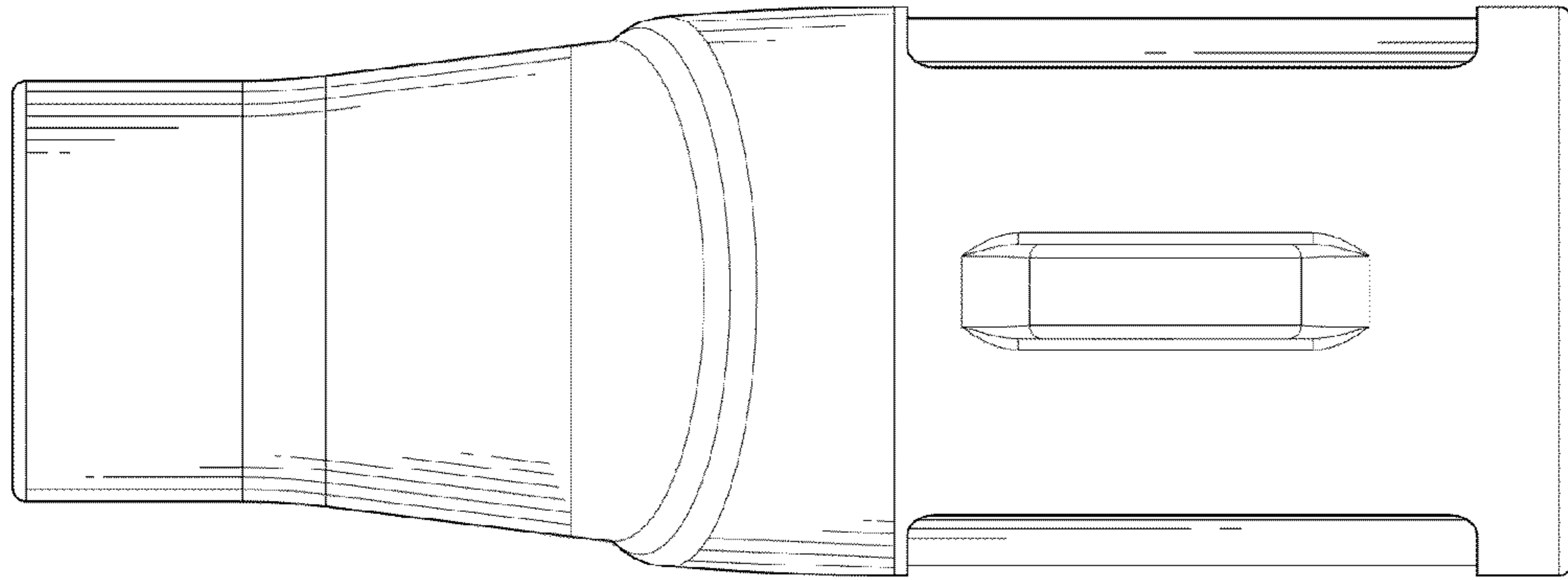


Fig. 6

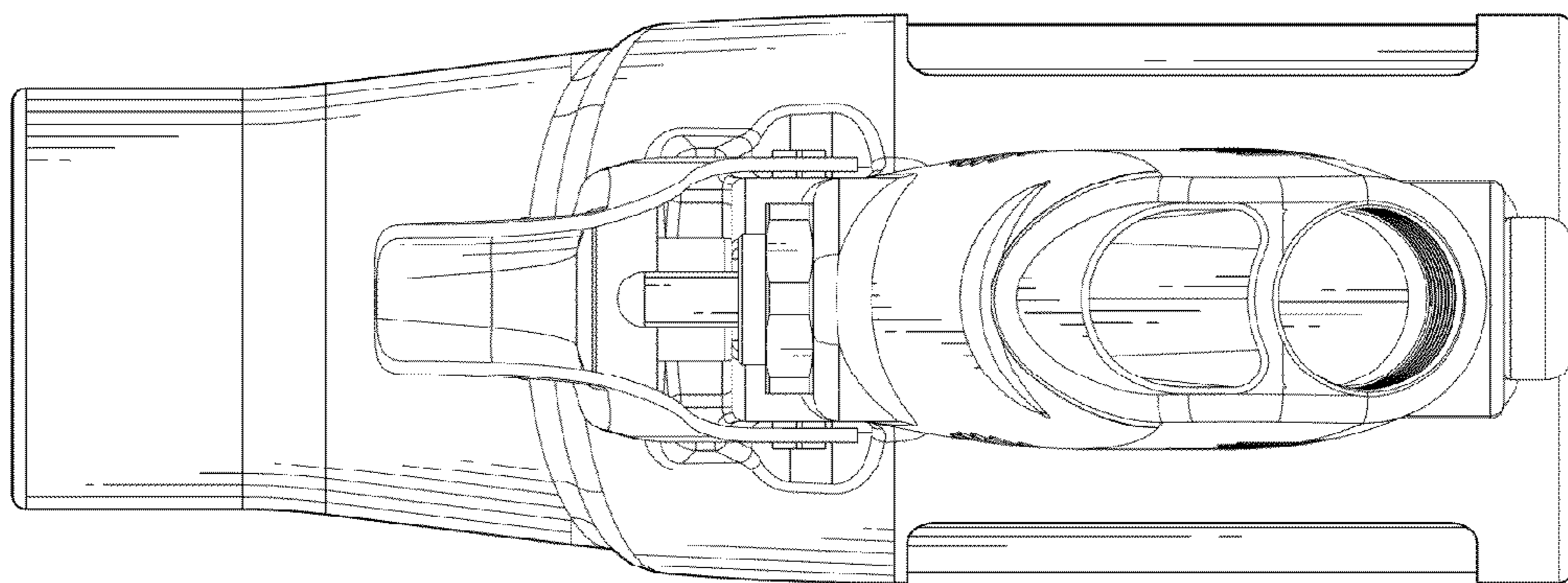


Fig. 7