



US00D745635S

(12) **United States Design Patent**
Schwarz

(10) **Patent No.:** **US D745,635 S**

(45) **Date of Patent:** **** Dec. 15, 2015**

- (54) **SPRAY GUN NOZZLE**
- (71) Applicant: **J. Wagner AG**, Alstatten (CH)
- (72) Inventor: **Thomas Schwarz**, St. Gallen (CH)
- (73) Assignee: **J. Wagner AG**, Alstatten (CH)
- (**) Term: **14 Years**
- (21) Appl. No.: **29/522,449**
- (22) Filed: **Mar. 31, 2015**

- 7,367,518 B2 * 5/2008 Tanigaki B05B 1/042
239/592
- 7,648,087 B2 * 1/2010 Horn B05B 1/02
239/594
- 7,757,964 B2 * 7/2010 Hansson B05B 7/025
138/104
- D639,903 S * 6/2011 Plotzitzka D23/213
- 8,079,534 B2 * 12/2011 Fecht B05B 1/042
239/590.5
- D657,015 S 4/2012 Sanwald
- D667,080 S 9/2012 Sanwald
- D670,356 S * 11/2012 Sanwald D23/213
- 8,584,973 B2 11/2013 Mather et al.
- D705,894 S * 5/2014 Williams D23/213

* cited by examiner

Related U.S. Application Data

- (62) Division of application No. 29/457,204, filed on Jun. 7, 2013, now Pat. No. Des. 736,887.

Foreign Application Priority Data

Mar. 14, 2013 (EM) 002202432

- (51) **LOC (10) Cl.** **23-01**
- (52) **U.S. Cl.**
USPC **D23/213**
- (58) **Field of Classification Search**
USPC D23/213, 223, 226; 239/290, 291, 526,
239/690, 691, 597, 601; 361/227, 228
CPC B05B 1/00
See application file for complete search history.

References Cited

U.S. PATENT DOCUMENTS

- 4,182,490 A 1/1980 Kennon
- D318,712 S 7/1991 Buschor
- D325,241 S 4/1992 Buschor
- 5,678,770 A 10/1997 Shah
- D397,421 S 8/1998 Adams
- 6,000,633 A * 12/1999 Lund B05B 1/00
222/108
- 7,128,283 B1 * 10/2006 Shahin B05B 1/042
239/591
- D532,863 S * 11/2006 Mather D23/213
- D532,864 S * 11/2006 Mather D23/213
- D568,439 S * 5/2008 Fulkerson D23/213
- D569,477 S * 5/2008 Fulkerson D23/213

Primary Examiner — Robin V Webster

(74) *Attorney, Agent, or Firm* — Renner, Otto, Boisselle & Sklar, LLP

CLAIM

The ornamental design for a spray gun nozzle, as shown and described.

DESCRIPTION

FIG. 1 is a front perspective view of a spray gun nozzle showing my new design with the nozzle ring in the retracted position.

FIG. 2 is rear perspective view thereof.

FIG. 3 is a right side view thereof, a left side view being a mirror image thereof.

FIG. 4 is a top view thereof, a bottom view being a mirror image thereof.

FIG. 5 is a rear view thereof.

FIG. 6 is a front view thereof.

FIG. 7 is an alternate front perspective view of the spray gun nozzle with the nozzle ring in the forward position.

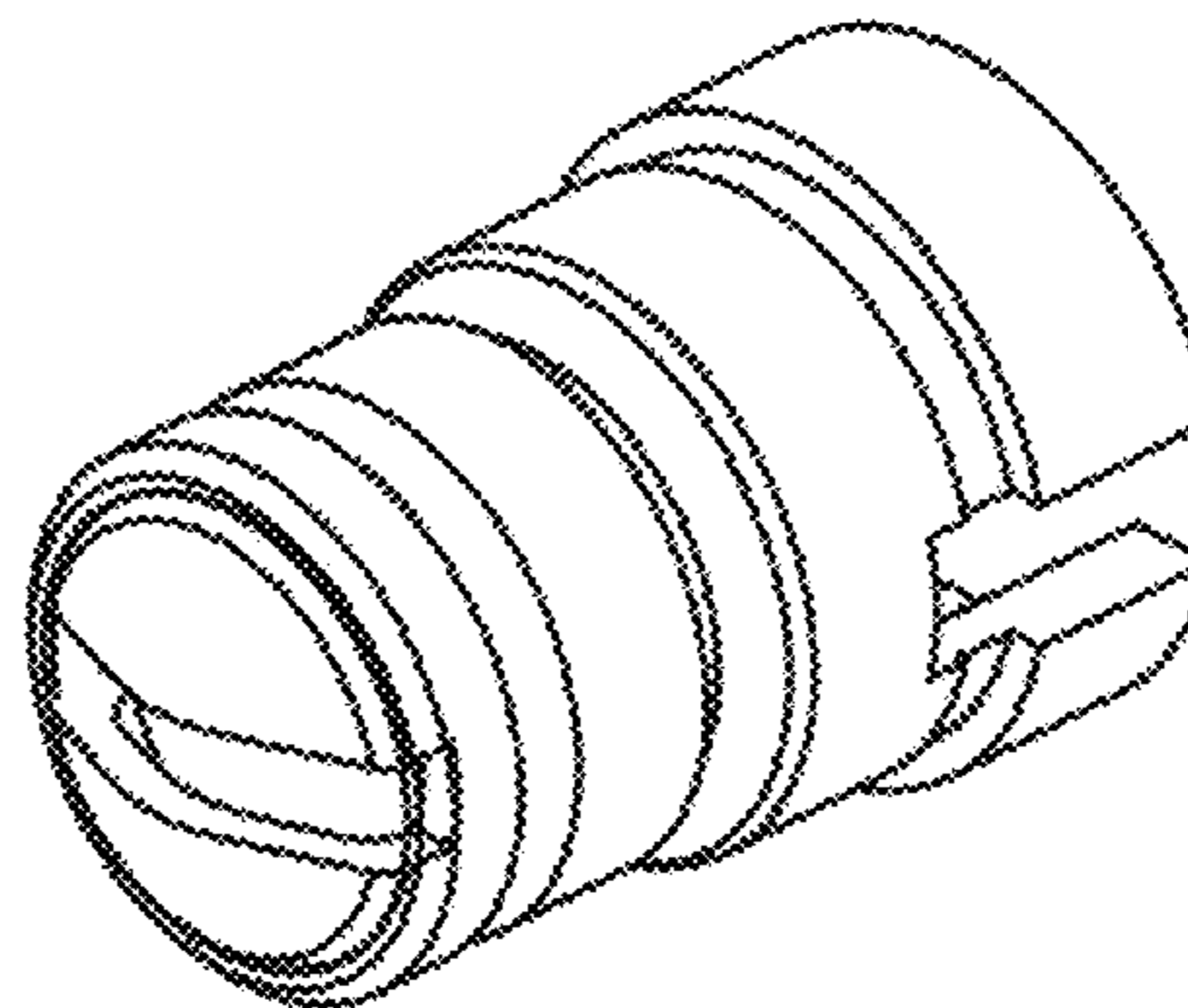
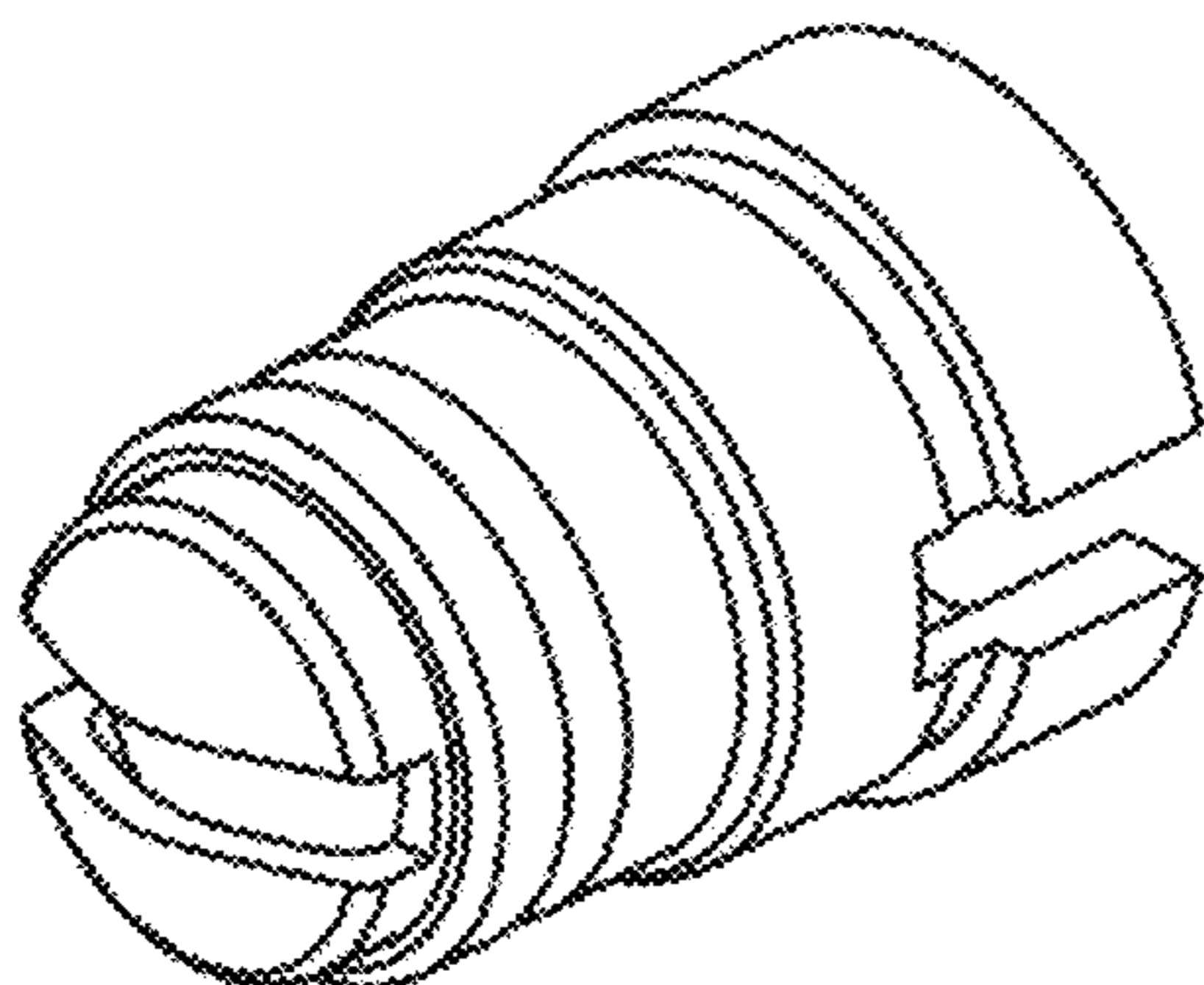
FIG. 8 is rear perspective view thereof.

FIG. 9 is a right side view thereof, a left side view being a mirror image thereof; and,

FIG. 10 is a top view thereof, a bottom view being a mirror image thereof.

Rear and front views of the spray gun nozzle with the nozzle ring in the forward position are omitted as they would be identical to FIGS. 5 and 6, respectively.

1 Claim, 2 Drawing Sheets



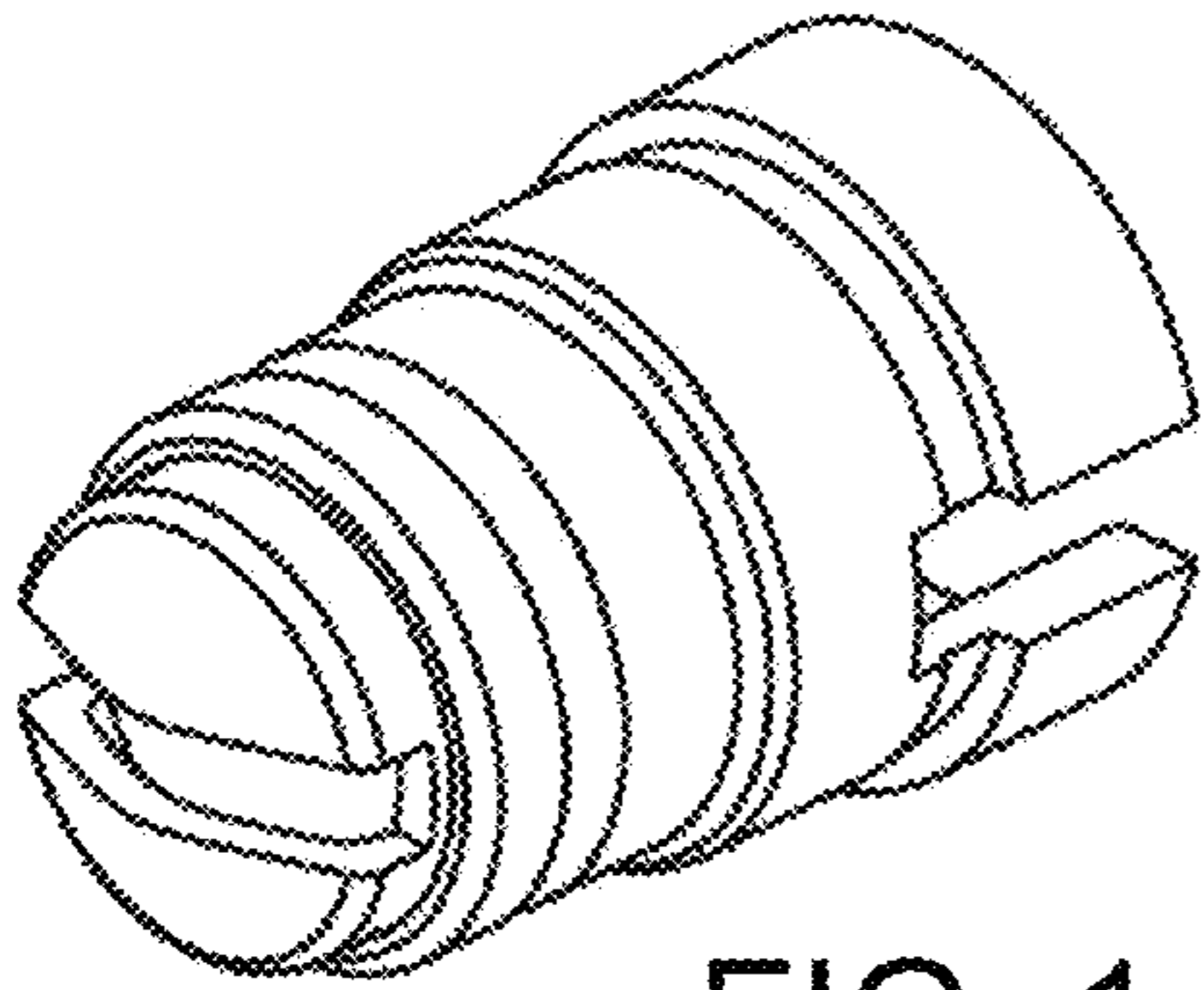


FIG. 1

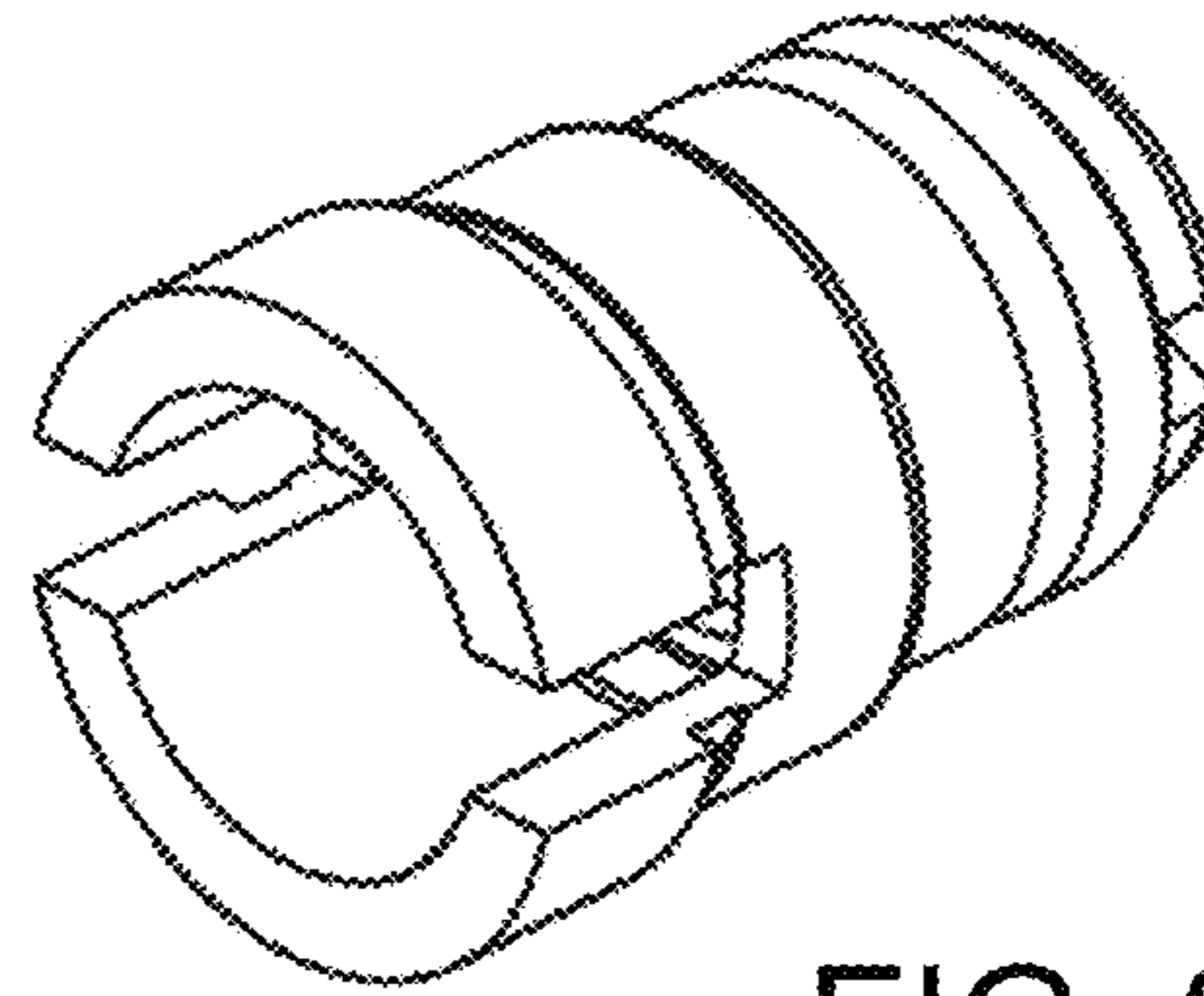


FIG. 2

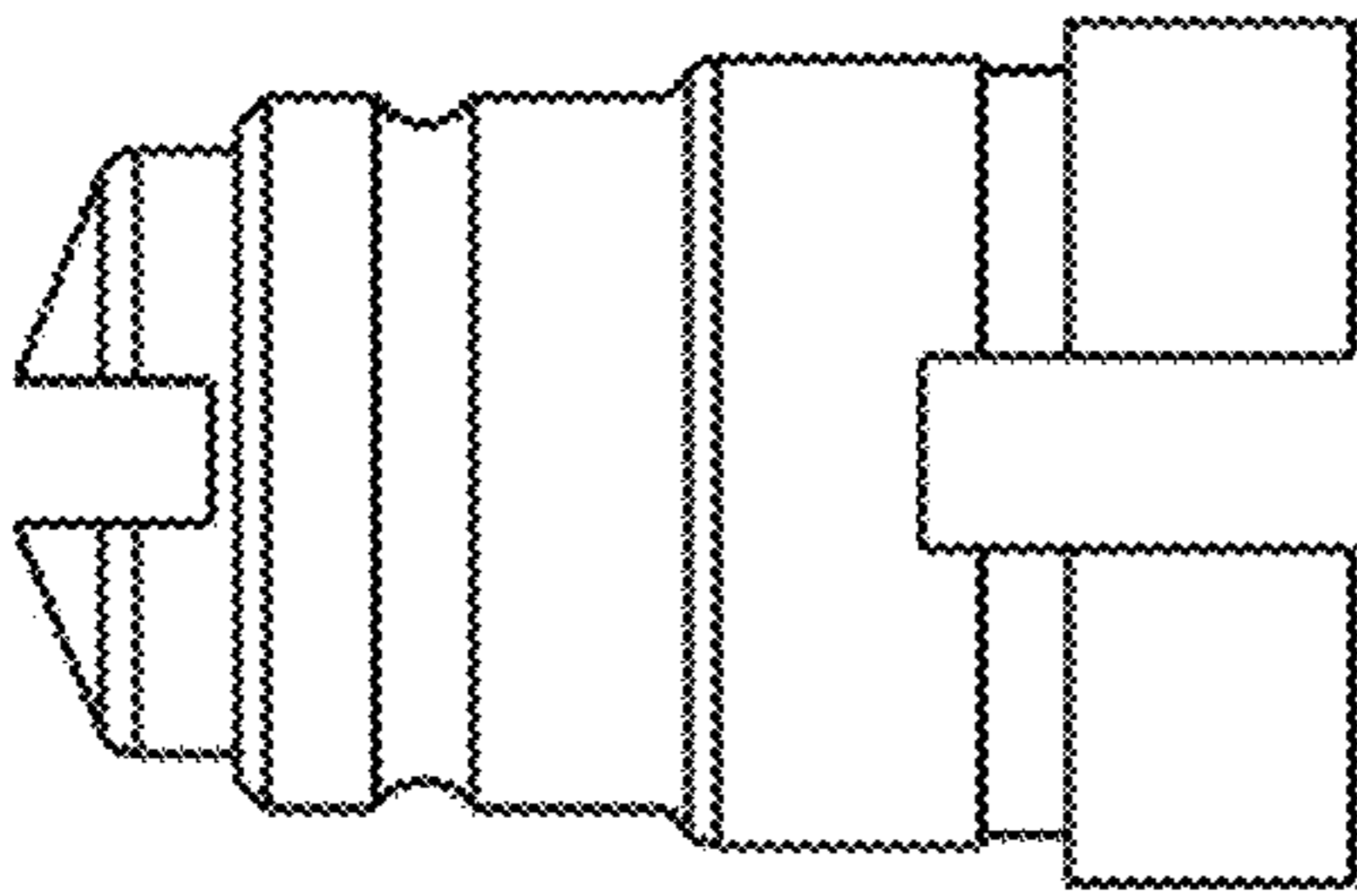


FIG. 3

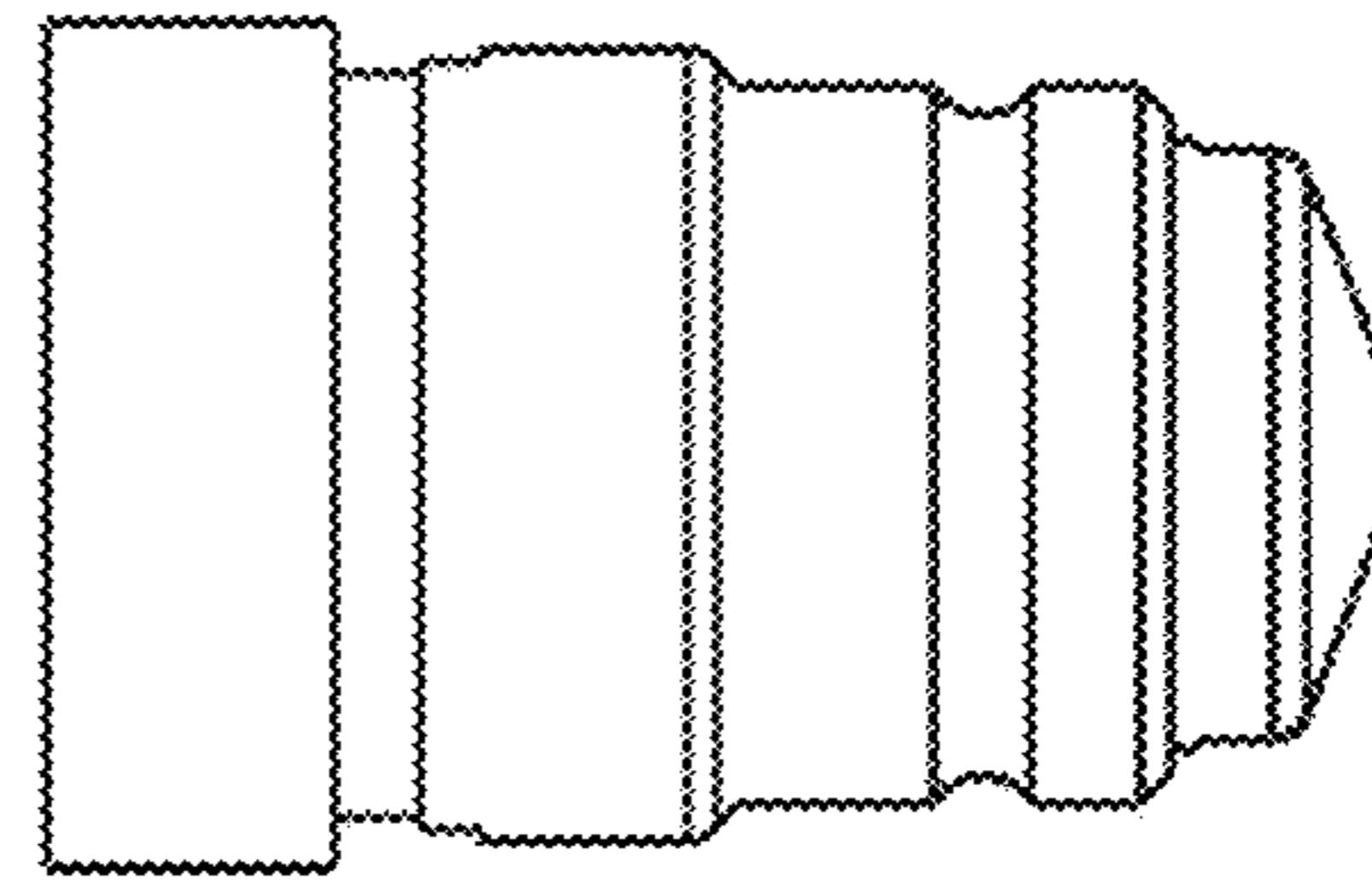


FIG. 4

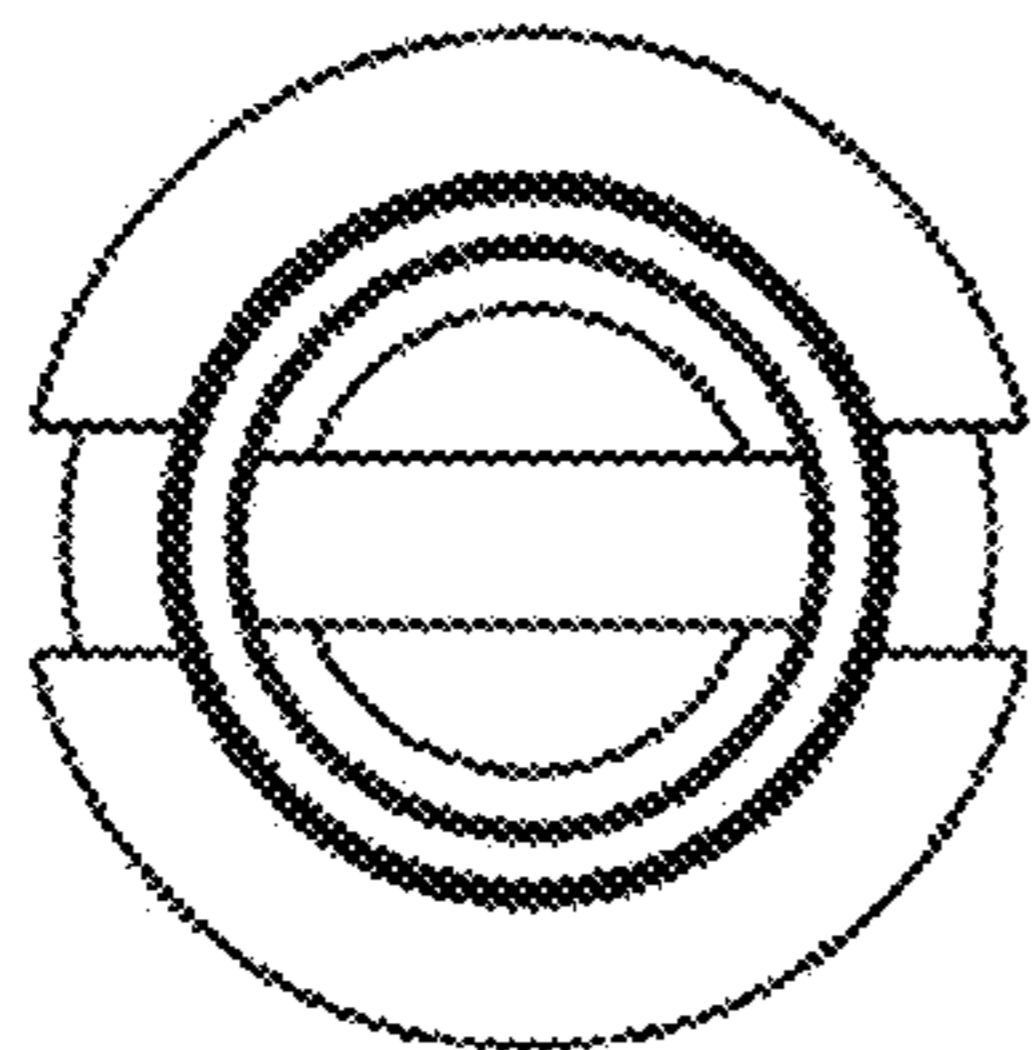


FIG. 5

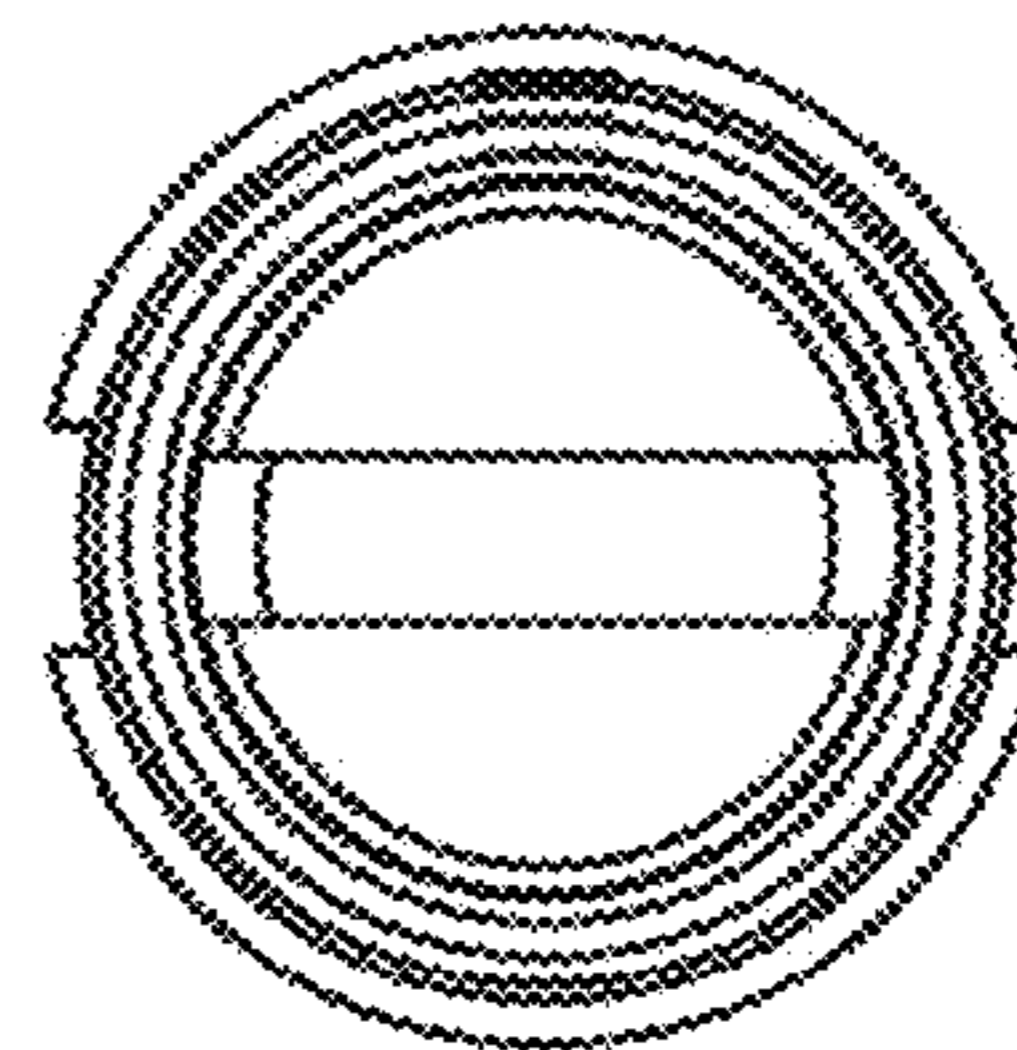


FIG. 6

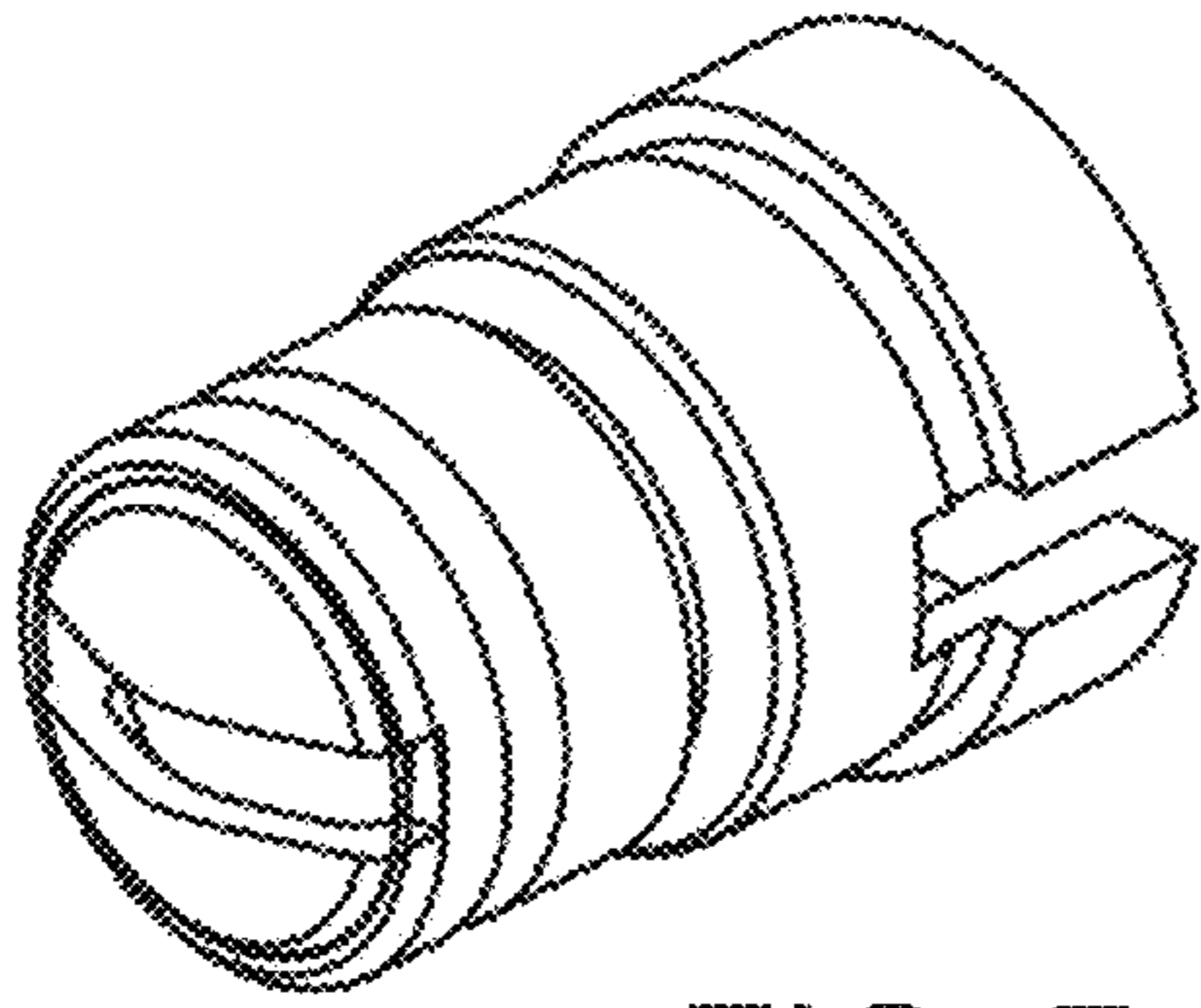


FIG. 7

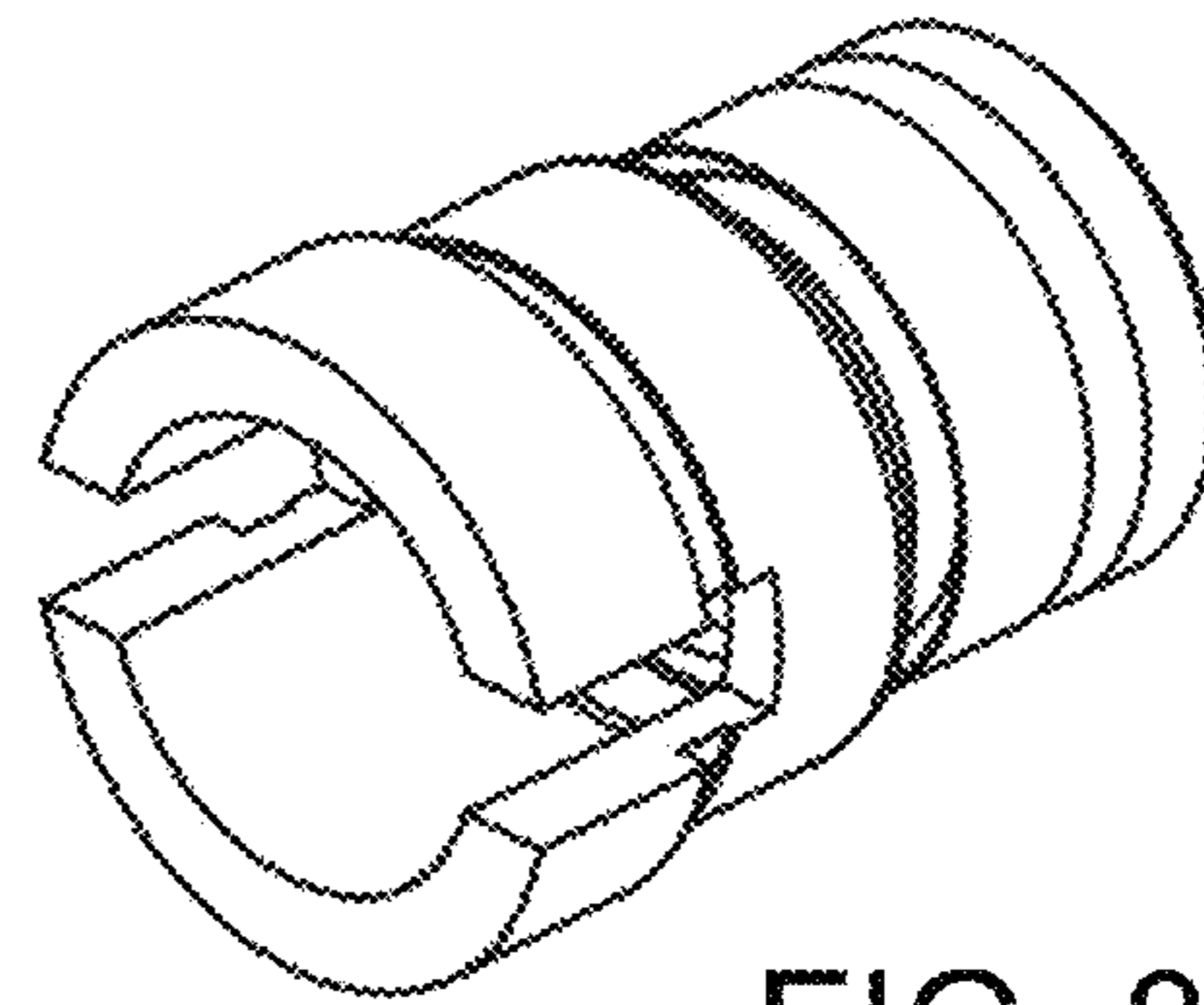


FIG. 8

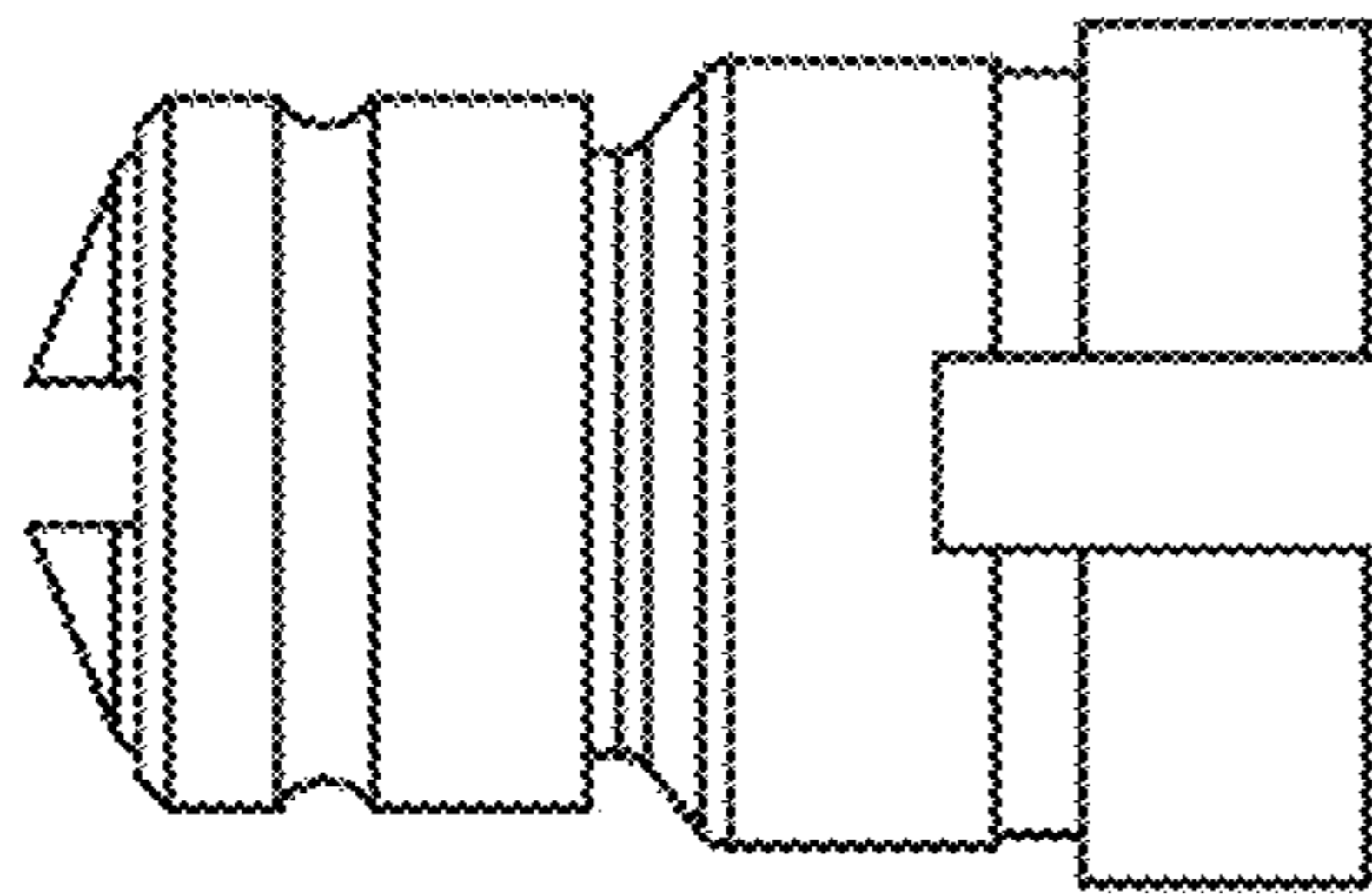


FIG. 9

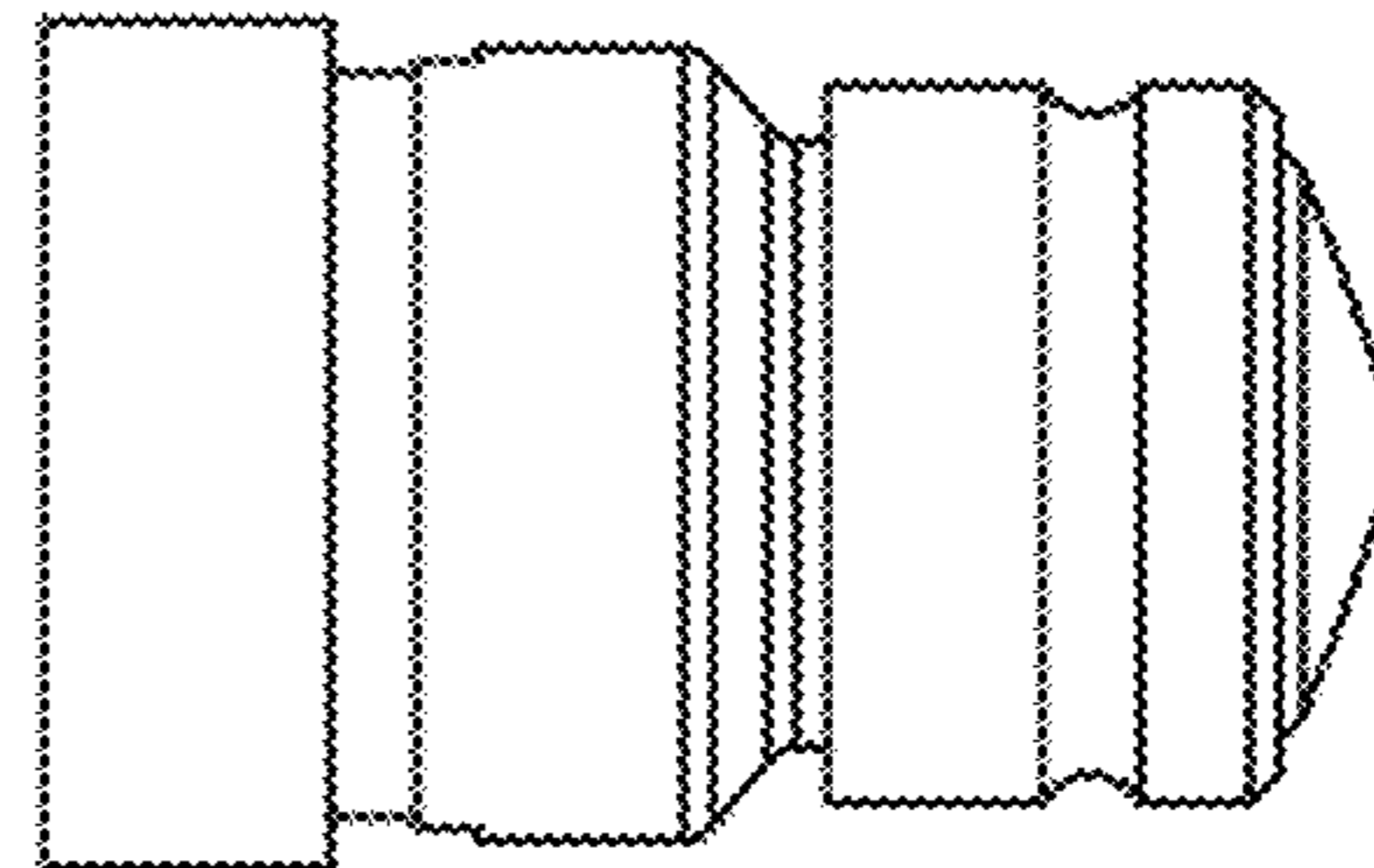


FIG. 10