



US00D745629S

(12) **United States Design Patent**
Barfoot et al.

(10) **Patent No.:** **US D745,629 S**
(45) **Date of Patent:** **** Dec. 15, 2015**

(54) **FIREARM FORE GRIP**

(71) Applicant: **Magpul Industries Corporation**, Erie, CO (US)

(72) Inventors: **Grady Barfoot**, Denver, CO (US);
Michael T. Mayberry, Denver, CO (US);
Duane Liptak, Erie, CO (US)

(73) Assignee: **Magpul Industries Corporation**,
Louisville, CO (US)

(**) Term: **14 Years**

(21) Appl. No.: **29/501,010**

(22) Filed: **Aug. 29, 2014**

(51) **LOC (10) Cl.** **22-01**

(52) **U.S. Cl.**
USPC **D22/108**

(58) **Field of Classification Search**
USPC D22/108
CPC F41C 23/10; F41C 23/14; F41C 23/16;
F41C 23/18
See application file for complete search history.

(56) **References Cited**

U.S. PATENT DOCUMENTS

2,472,804 A	6/1949	Bird
2,826,848 A	3/1958	Davies
3,225,656 A	12/1965	Flaherty
4,321,765 A	3/1982	Gillum
4,327,626 A	5/1982	McQueen
4,502,238 A	3/1985	Farrar
D300,767 S	4/1989	Andreasen
5,048,215 A	9/1991	Davis
5,068,992 A	12/1991	Velezis

(Continued)

FOREIGN PATENT DOCUMENTS

GB	2206188	12/1988
JP	07-225098	8/1995

OTHER PUBLICATIONS

BravoCompanyUSA_com_2006_TangoDown_Vertical_Grip
BravoCompanyUSA.com (Aug. 21, 2006) TangoDown Vertical
Grip—Black; Website [Online] Available Web Site: <http://www.bravocompanyusa.com/TangoDown-Vertical-Gripp/vpg%20td%20bgv-mk46%20black.htm>; Last Update: Mar. 23, 2008; Accessed on: Aug. 24, 2010.

(Continued)

Primary Examiner — Michael A Pratt

(74) *Attorney, Agent, or Firm* — Swanson & Bratschun,
L.L.C.

(57) **CLAIM**

The ornamental design for a firearm fore grip, as shown and described.

DESCRIPTION

FIG. 1 is a front, bottom, left perspective view of a firearm fore grip showing our new design, the front, bottom, right perspective being a mirror image thereof;

FIG. 2 is a rear, top, right perspective view of the firearm fore grip of FIG. 1, the rear top, left perspective view being a mirror image thereof;

FIG. 3 is a top plan view of the firearm fore grip of FIG. 1;

FIG. 4 is a right side elevation view of the firearm fore grip of FIG. 1, the left side being a mirror image thereof;

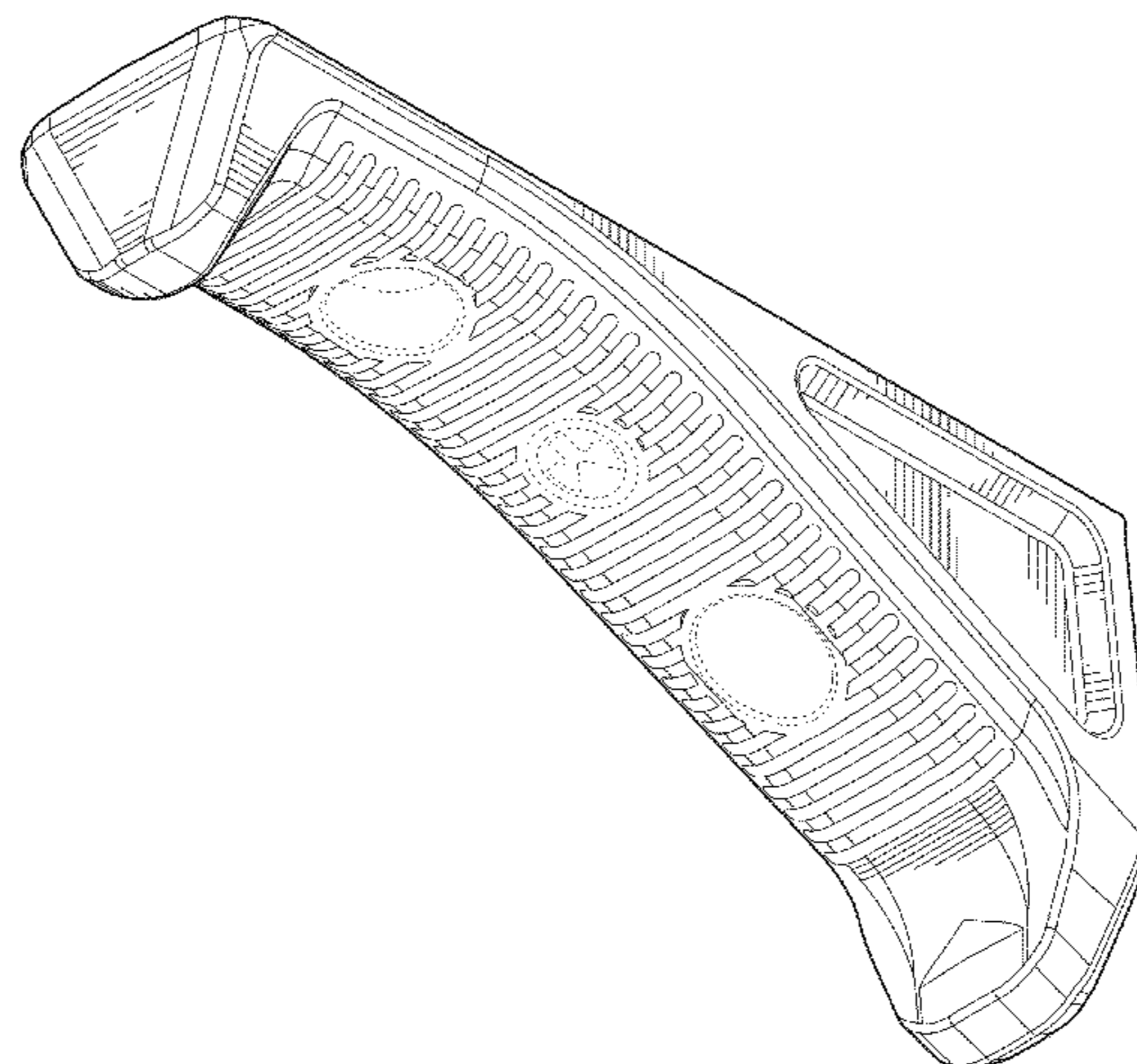
FIG. 5 is a bottom plan view of the firearm fore grip of FIG. 1;

FIG. 6 is a front elevation view of the firearm fore grip of FIG. 1; and,

FIG. 7 is a rear elevation view of the firearm fore grip of FIG. 1.

The broken lines showing portions of the design in all figures are included for the purpose of illustrating environment and unclaimed features and forms not part of the claimed design.

1 Claim, 4 Drawing Sheets



(56)

References Cited

U.S. PATENT DOCUMENTS

5,347,740	A	9/1994	Rather	
5,417,002	A	5/1995	Guerra	
5,903,995	A	5/1999	Brubach	
5,956,879	A	9/1999	Zerega	
6,134,823	A	10/2000	Griffin	
6,298,594	B1	10/2001	Strayer	
6,397,507	B1	6/2002	Marshall	
6,487,807	B1	12/2002	Kopman	
6,698,127	B2	3/2004	Weber	
6,782,791	B2	8/2004	Moore	
6,785,997	B2	9/2004	Oz	
6,901,691	B1	6/2005	Little	
6,920,713	B1	7/2005	Love	
7,055,749	B2	6/2006	Wulff	
7,111,424	B1	9/2006	Moody	
7,121,034	B2	10/2006	Keng	
7,191,557	B2	3/2007	Gablowski	
D585,517	S	1/2009	Faifer	
D643,497	S	8/2011	Fitzpatrick et al.	
D665,043	S *	8/2012	Fitzpatrick	D22/108
D692,515	S *	10/2013	Galloway	D22/108
D698,885	S *	2/2014	Faifer	D22/108
D728,054	S *	4/2015	Webber	D22/108
9,121,664	B2 *	9/2015	Fitzpatrick	F41C 23/16
2003/0127085	A1	7/2003	Brunette	
2004/0064994	A1	4/2004	Luke	
2004/0144010	A1	7/2004	Golan	
2005/0183317	A1	8/2005	Finn	
2005/0241206	A1	11/2005	Teetzel	
2006/0064913	A1	3/2006	Gablowski	
2006/0123683	A1	6/2006	Garrett	
2006/0191183	A1	8/2006	Griffin	
2009/0194088	A1	8/2009	Tippmann, Jr.	
2010/0031552	A1	2/2010	Houde-Walter	

OTHER PUBLICATIONS

Cmmgincsecuremall_com_2004_Assorted_Grips_Mounted
 Cmmginc.secure-mall.com (Aug. 6, 2004) Assorted Grips Mounted;

Website [Online] Available Web Site: <http://cmmginc.com.secure-mall.com/shop/index.php?shop=1&cat=15>; Last Update: Sep. 9, 2005; Accessed on: Jan. 12, 2011.

FNH_USA_2008_FN303_Standard_Launcher FNH-USA (Jul. 6, 2008) FN303 Standard Launcher; Website [Online] Available Web Site: <http://www.fnhusa.com/1e/products/firearms/model.asp?fid=FNF010&gid=FNG003&mid=FNM0020>; Last Update: Jul. 10, 2008; Accessed on Aug. 24, 2010.

International Search Report and Written Opinion dated Jun. 24, 2011 from PCT/US2010/052233.

Knightarmco_com_2009_Forward_Pistol_Grip_Green Knightarmco.com (Oct. 23, 2009) Forward Pistol Grip Green; Website [Online] Available Web Site: http://www.knightarmco.com/shop/index.php?main_page=product_info&cPath=1&products_id=30&zenid=fjc8ovk394d91e107a9u7ilb70; Last Update: Unknown; Accessed on: Jan. 12, 2011.

Lancer_Systems_2012_AWM_Magazine Lancer Systems (2012) L5 AWM Magazine; Website [Online] Available Web Site: http://www.lancer-systems.com/L5_AWM.html; Last Update: Unknown; Accessed on: May 4, 2012.

Surefire_com_2010_Vertical_Foregrip_Weaponlights Surefire.com (2010) Vertical Foregrip Weaponlights; Website [Online] Available Web Site: <http://www.surefire.com/VerticalForegripWeaponLights>; Last Update: Unknown; Accessed on: Aug. 24, 2010.

Store_Magpul_Jul.2010_AFG-Angled_Fore_Grip Store Magpul (Jul. 2, 2010) AFG®—Angled Fore Grip; Website [Online] Available Website: <http://store.magpul.com/product/MAG411/88>; Last Update: Jul. 2, 2014; Accessed: Oct. 9, 2014.

Store_Magpul_Sep.2010_AFG-2-Angled_Fore_Grip Store Magpul (Sep. 26, 2010) AFG-2®—Angled Fore Grip; Website [Online] Available Website: <http://store.magpul.com/product/MAG414/88>; Last Update: Jul. 2, 2014; Accessed: Oct. 9, 2014.

StrikeIndustries_Cobra_Tactical_Fore_Grip Strike Industries Cobra Tactical Fore Grip; Website [Online] Available Website: <http://www.strikeindustries.com/shop/index.php/rifle-accessories/ar/fore-grips/cobra-tactical-fore-grip.html>; Last Update: Unknown; Accessed: Oct. 9, 2014.

* cited by examiner

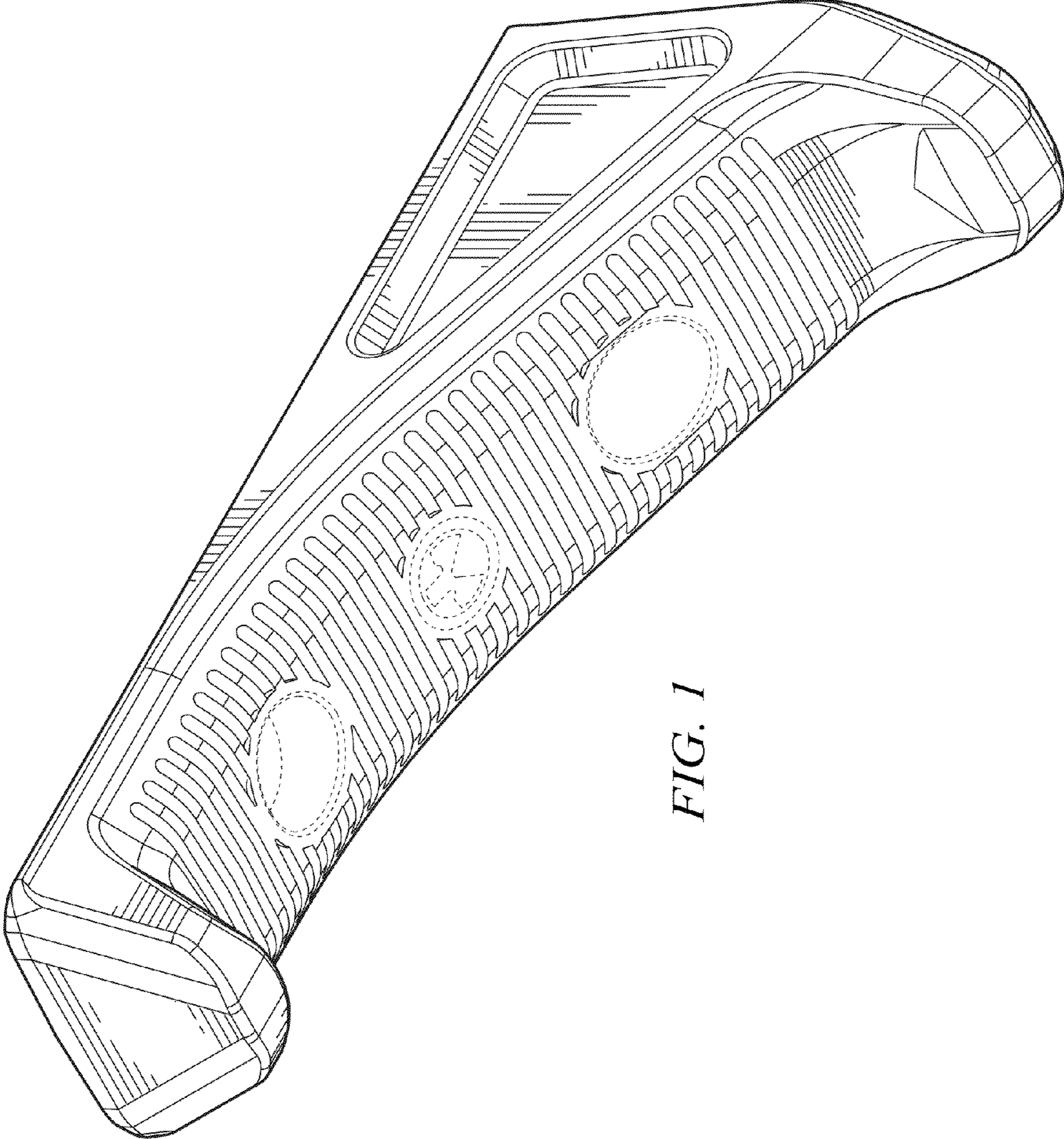


FIG. 1

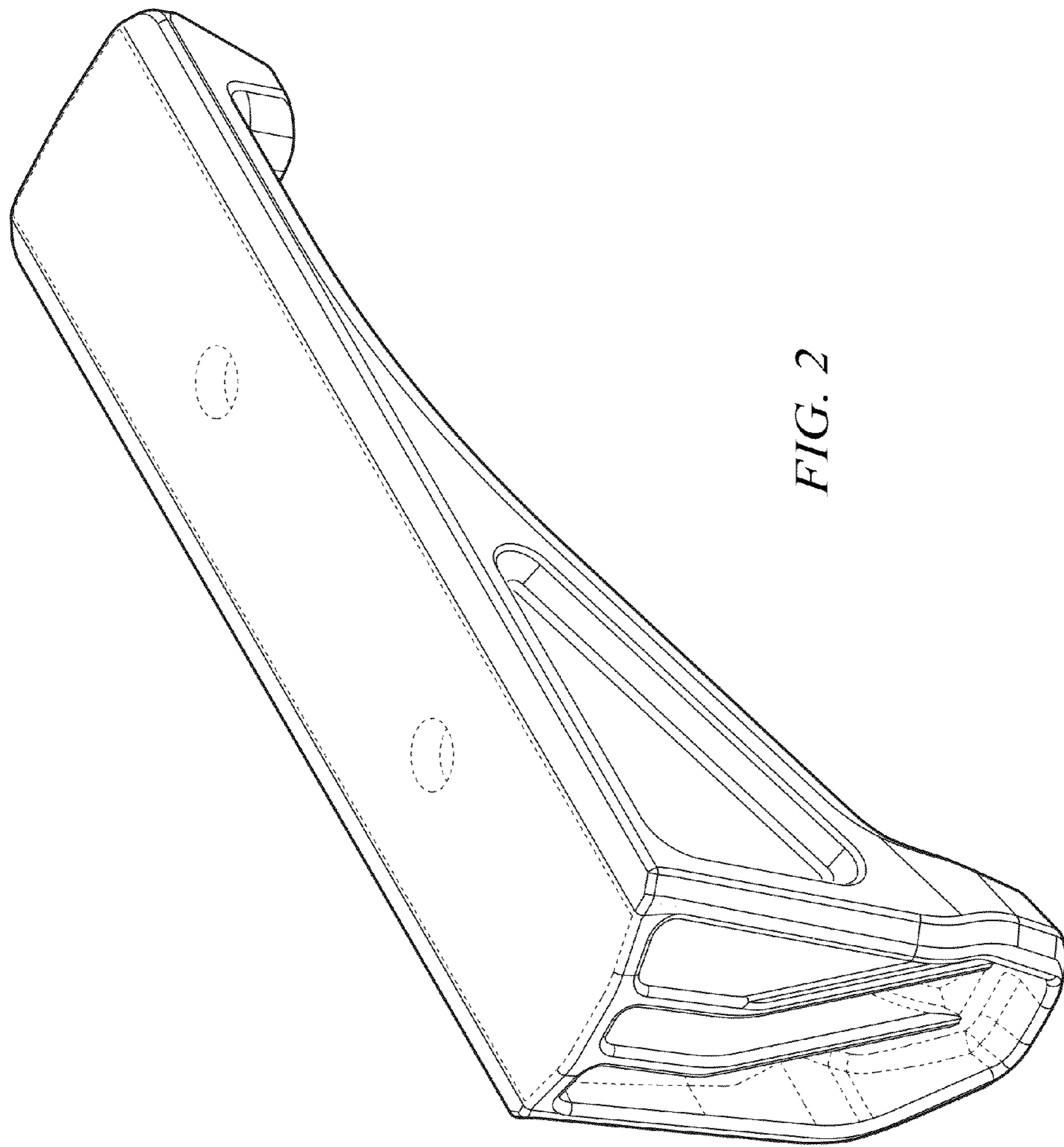


FIG. 2

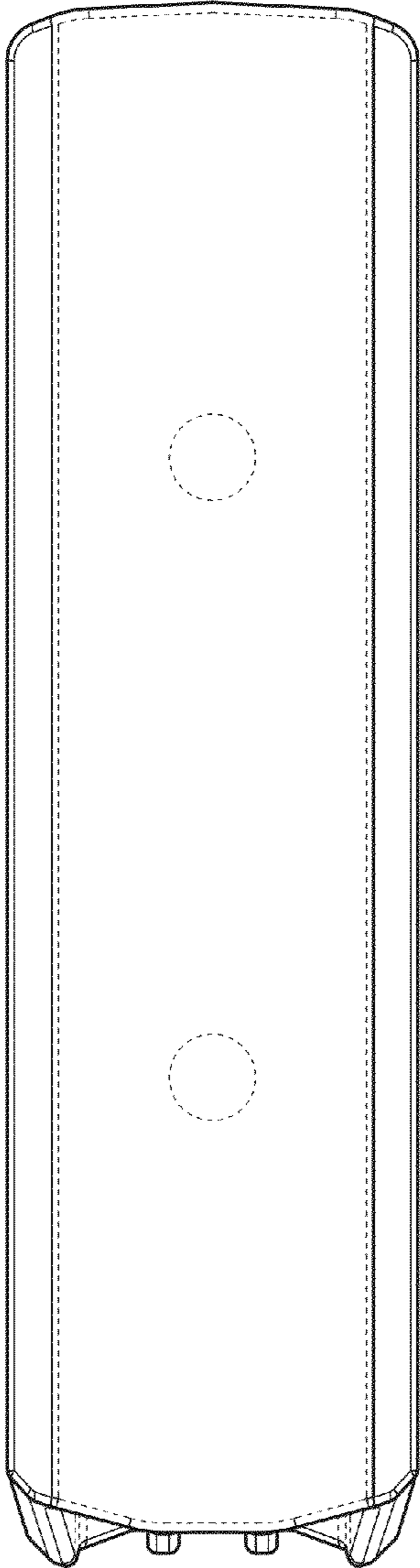


FIG. 3

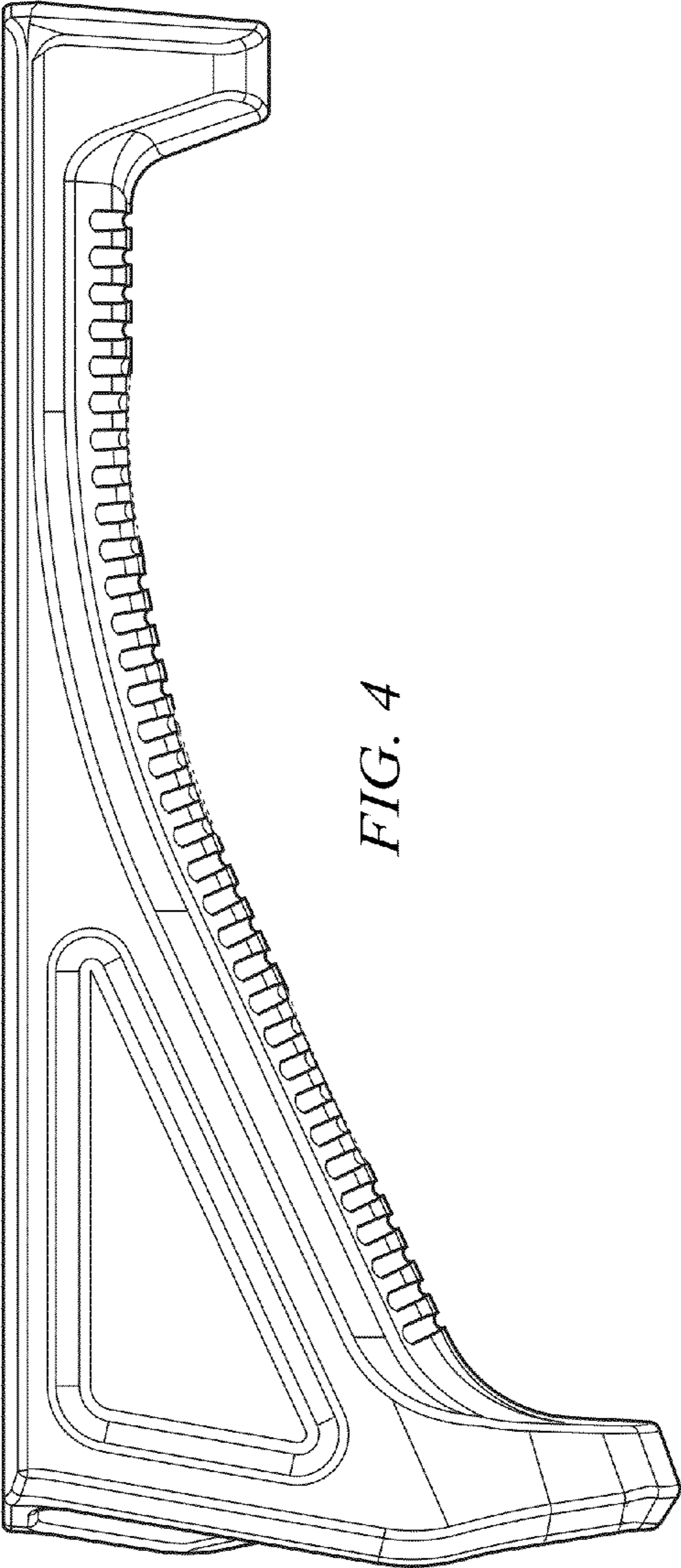


FIG. 4

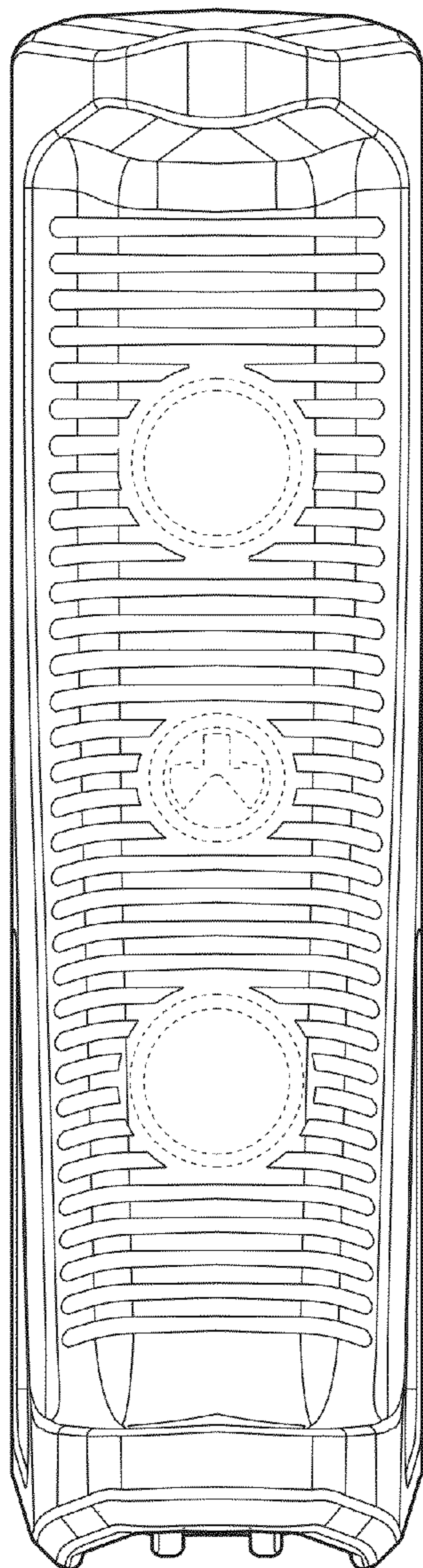


FIG. 5

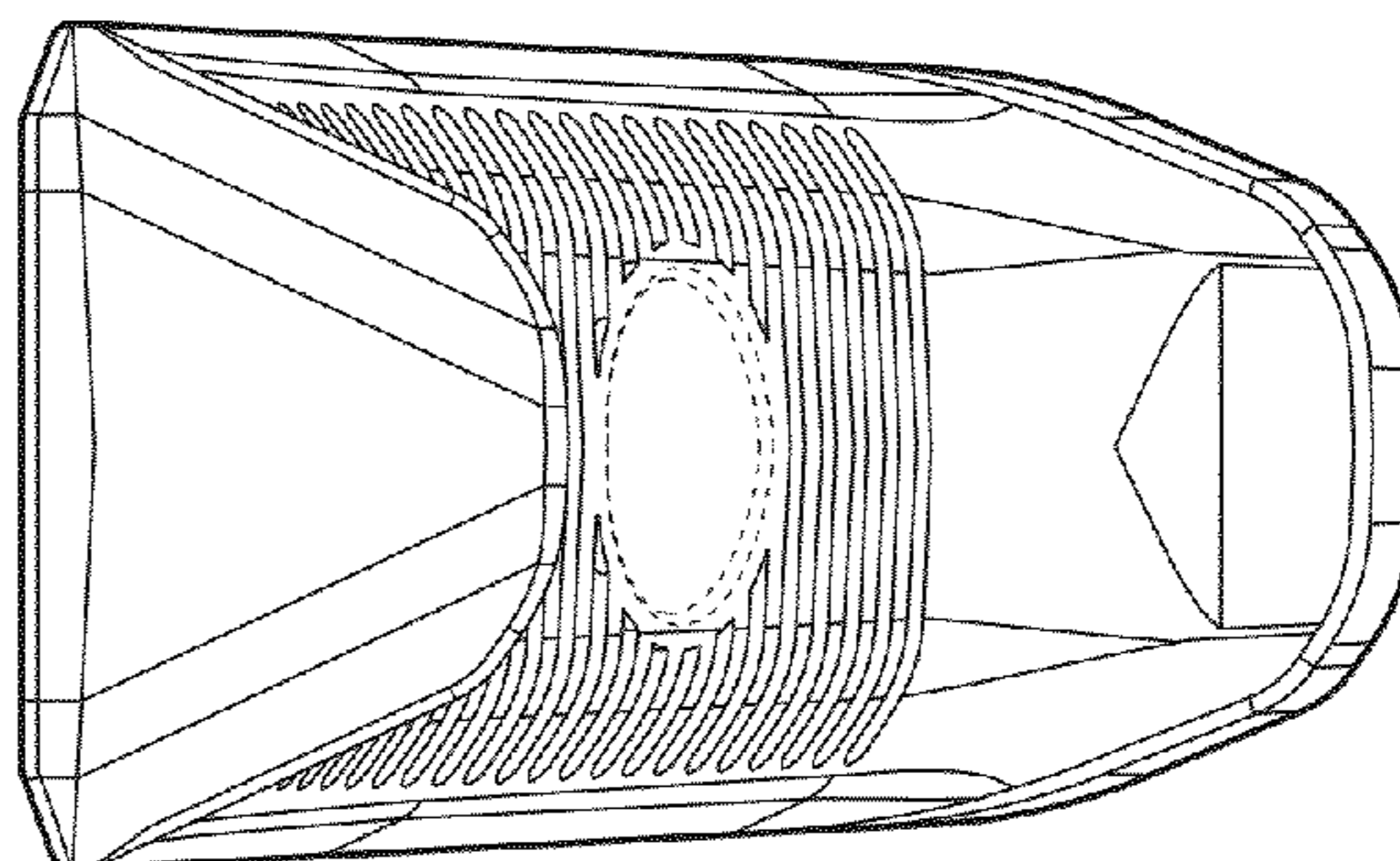


FIG. 6

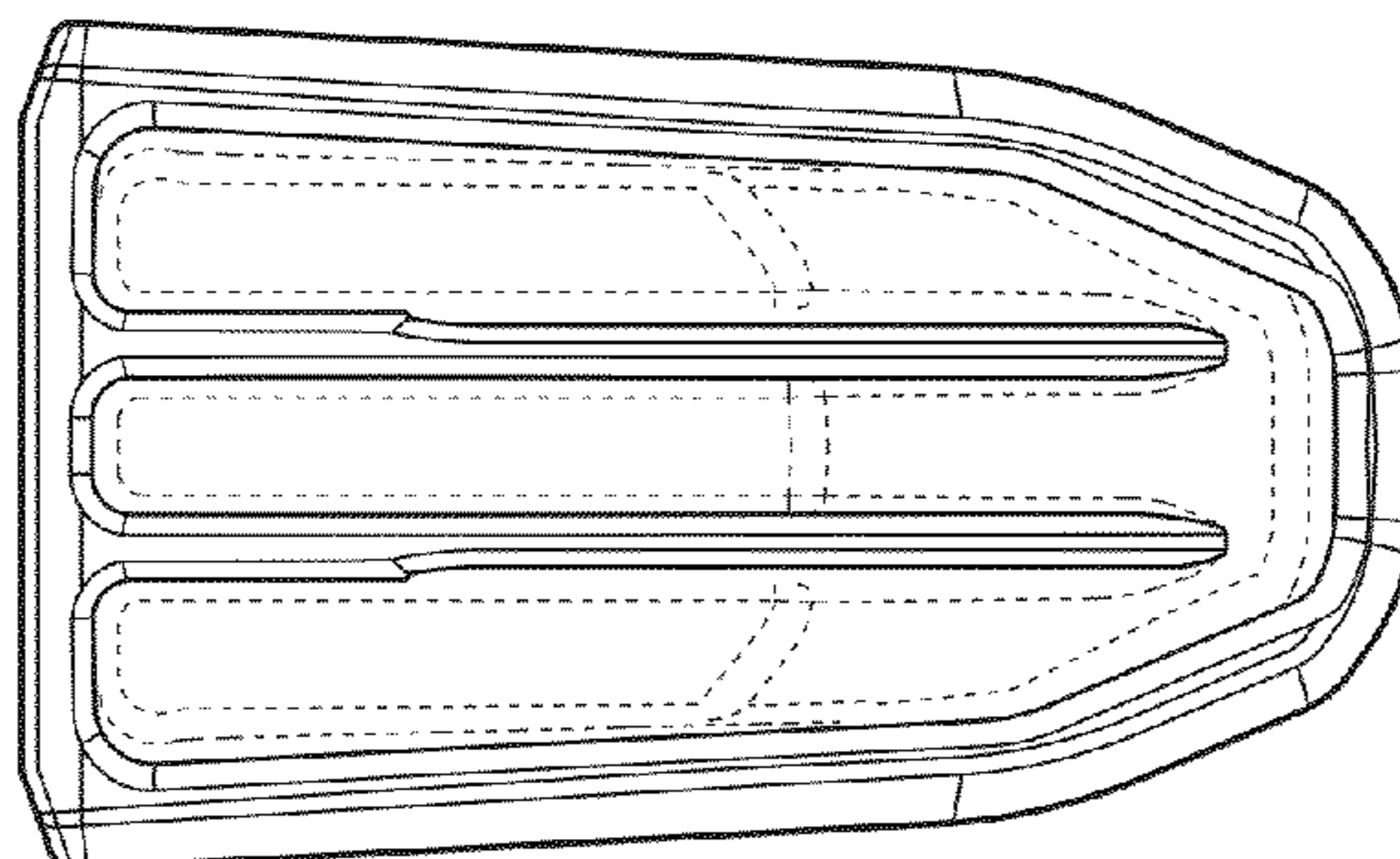


FIG. 7