

US00D745628S

(12) **United States Design Patent**  
**Barfoot et al.**

(10) **Patent No.:** **US D745,628 S**  
(45) **Date of Patent:** **\*\* Dec. 15, 2015**

(54) **FIREARM GRIP**

(71) Applicant: **Magpul Industries Corporation**, Erie, CO (US)

(72) Inventors: **Grady Barfoot**, Denver, CO (US);  
**Michael T. Mayberry**, Denver, CO (US)

(73) Assignee: **Magpul Industries Corporation**,  
Louisville, CO (US)

(\*\*) Term: **14 Years**

(21) Appl. No.: **29/498,179**

(22) Filed: **Jul. 31, 2014**

(51) **LOC (10) Cl.** ..... **22-01**

(52) **U.S. Cl.**  
USPC ..... **D22/108**

(58) **Field of Classification Search**  
USPC ..... D22/108; D8/68  
CPC ..... F41C 23/10; F41C 23/14; F41C 23/16;  
F41C 23/18

See application file for complete search history.

(56) **References Cited**

**U.S. PATENT DOCUMENTS**

D269,895 S 7/1983 Bianchi  
D293,357 S 12/1987 Ruger

(Continued)

**OTHER PUBLICATIONS**

AR15com\_WTS\_Crimson\_Trace\_VF-302\_Foregrip\_Mounted\_Laser AR15.com (Dec. 4, 2011) WTS—Crimson Trace VF-302 Foregrip Mounted Laser; Website [Online] Available Website: <http://www.ar15.com/archive/topic.html?b=7&f=25&t=793355>; Last Update: Jul. 34, 2014; Accessed on: Sep. 17, 2014.

(Continued)

*Primary Examiner* — Michael A Pratt

(74) *Attorney, Agent, or Firm* — Swanson & Bratschun, L.L.C.

(57) **CLAIM**

The ornamental design for a firearm grip, as shown and described.

**DESCRIPTION**

FIG. 1 is a top, left, front perspective view of a first embodiment of a firearm grip showing our new design;

FIG. 2 is a front elevation view of the firearm grip of FIG. 1;

FIG. 3 is a rear elevation view of the firearm grip of FIG. 1;

FIG. 4 is a right side elevation view of the firearm grip of FIG. 1;

FIG. 5 is a left side elevation view of the firearm grip of FIG. 1;

FIG. 6 is a top plan view of the firearm grip of FIG. 1;

FIG. 7 is a bottom plan view of the firearm grip of FIG. 1;

FIG. 8 is a bottom, left front perspective view of the firearm grip of FIG. 1;

FIG. 9 is a top, left, front perspective view of a second embodiment of a firearm grip showing our new design;

FIG. 10 is a front elevation view of the firearm grip of FIG. 9;

FIG. 11 is a rear elevation view of the firearm grip of FIG. 9;

FIG. 12 is a right side elevation view of the firearm grip of FIG. 9;

FIG. 13 is a left side elevation view of the firearm grip of FIG. 9;

FIG. 14 is a top plan view of the firearm grip of FIG. 9;

FIG. 15 is a bottom plan view of the firearm grip of FIG. 9; and,

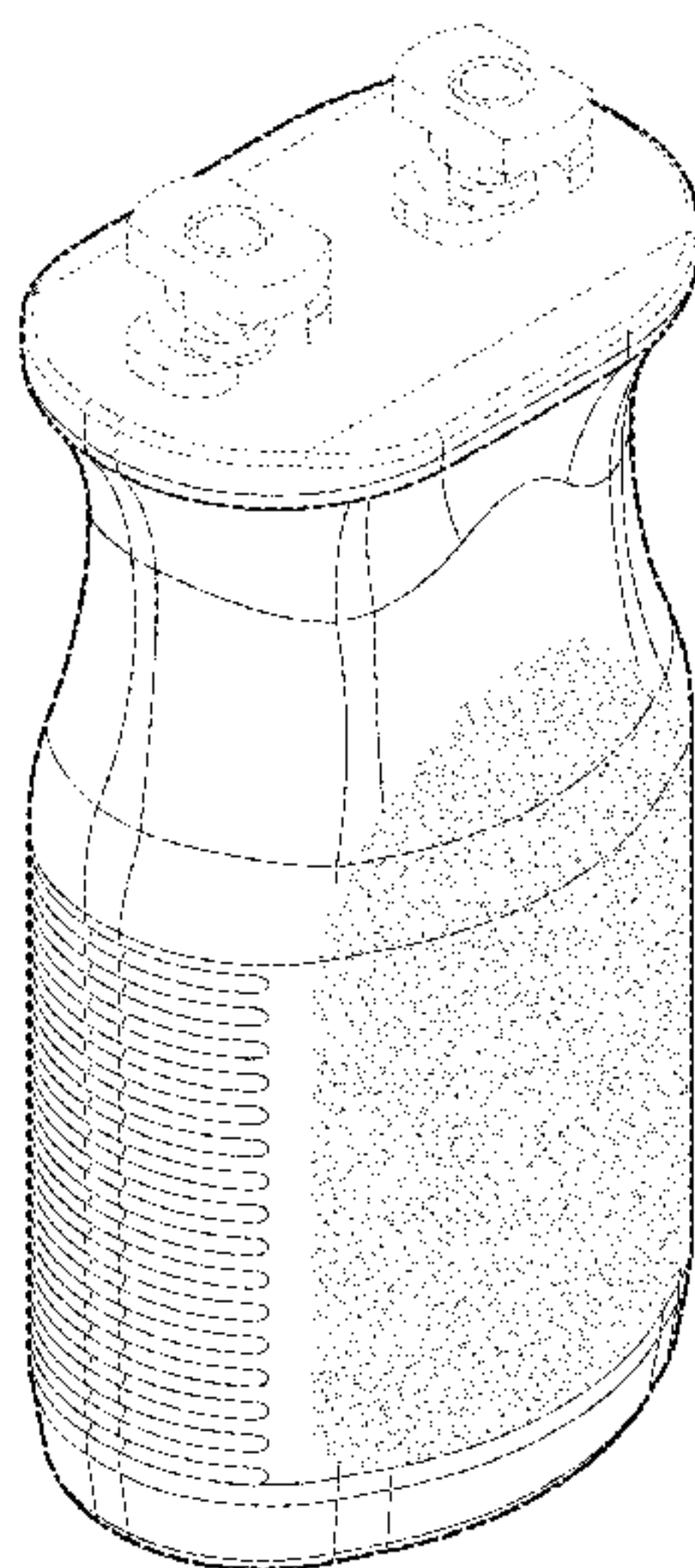
FIG. 16 is a bottom, left front perspective view of the firearm grip of FIG. 9.

The stippling in FIGS. 1-8 shows a contrast in appearance with no particular color, material, texture or other feature being claimed thereby.

FIGS. 9-16 show the identical design of FIGS. 1-8 without stippling to further clarify the design and to illustrate an alternate embodiment.

The broken lines immediately adjacent solid lines represent the bounds of the claimed design while all other broken lines are included for the purpose of illustrating environment and unclaimed features and form not part of the claimed design.

**1 Claim, 12 Drawing Sheets**





(56)

References Cited

U.S. PATENT DOCUMENTS

D300,057	S	2/1989	Ruger	
D335,520	S	5/1993	Capone	
6,658,781	B1	12/2003	Bowen	
6,860,053	B2	3/2005	Christiansen	
7,121,034	B2	10/2006	Keng	
7,356,958	B2	4/2008	Weir	
D577,411	S	9/2008	Dehart	
D600,771	S	9/2009	Fitzpatrick et al.	
D606,614	S	12/2009	Fitzpatrick	
D633,163	S	2/2011	Fitzpatrick	
D651,056	S *	12/2011	Robinson	D8/25
D667,916	S	9/2012	Mayberry	
D692,517	S	10/2013	Faifer	
8,584,390	B1	11/2013	Fraher	
D705,887	S *	5/2014	Fitzpatrick	D22/108
D706,377	S *	6/2014	Zayatz	D22/108
D710,966	S *	8/2014	Barfoot	D22/108
D714,113	S *	9/2014	Robinson	D8/25
D722,125	S *	2/2015	Zayatz	D22/108
D735,832	S *	8/2015	Fitzpatrick	D22/108
9,134,092	B2 *	9/2015	Spiegelhauer	F14C 23/16
2004/0064994	A1	4/2004	Luke	
2005/0183317	A1	8/2005	Finn	
2006/0272192	A1	12/2006	Zimmermann	
2008/0052979	A1	3/2008	Lee	
2009/0038200	A1	2/2009	Keng	
2010/0139144	A1	6/2010	Fitzpatrick et al.	
2011/0173861	A1	7/2011	Roth	
2012/0180359	A1	7/2012	Fitzpatrick et al.	
2013/0125442	A1	5/2013	Burress, Jr.	
2013/0205635	A1	8/2013	Hines	
2015/0198408	A1 *	7/2015	Kinzel	F41C 23/16 42/72

OTHER PUBLICATIONS

Archangel\_Manufacturing\_2012\_Black\_Polymer\_Vertical\_Fore\_Grip Archangel Manufacturing (Nov. 12, 2012) Black Polymer Vertical Fore Grip—Compact AAFG03; Website [online] Available Website: <http://www.archangelmanufacturing.com/2012/09/10/aafg03-archangel-vertical-fore-grip-compact-size-black-polymer/>; Last Update: Unknown; Accessed: Sep. 17, 2014.

ATI\_Gun\_Stocks\_AR-15\_Scorpion\_Recoil\_Pistol\_Grip ATI Gun Stocks AR-15 Scorpion Recoil Pistol Grip; Website [Online] Available Website: <http://www.atigunstocks.com/ar-15-pistol-grip/>; Last Update: Unknown; Accessed on: Sep. 4, 2014.

BerettaUSA\_ARX160\_22LR\_Vertical\_Grip Beretta USA Beretta ARX160 .22LR, Vertical Grip; Website [Online] Available Website: <http://www.berettausa.com/en-us/beretta-arx160-22lr-vertical-grip/574102/>; Last Update: Unknown; Accessed on: Oct. 9, 2014.

Bobro\_Engineering\_2009\_VERTICAL\_GRIP\_FGA-2 Bobro Engineering (Aug. 4, 2009) Vertical Grip—Shorty | Item No: FGA-2; Website [Online] Available Website: <http://www.bobroengineering.com/view/product/2/>; Last Update: May 23, 2013; Accessed: Sep. 17, 2014.

BravoCompanyUSA\_com\_2007\_CQD\_Vertical\_Grip BravoCompanyUSA.com (Oct. 13, 2007) CQD Vertical Grip; Website [Online] Available Website: <http://www.bravocompanyusa.com/CQD-Vertical-Grip-p/cqd%20vpg.htm>; Last Update: Jul. 1, 2013; Accessed on: Sep. 17, 2014.

BravoCompanyUSA\_com\_2013\_BCMGUNFIGHTER\_Vertical\_Grip\_Black BravoCompanyUSA.com (Jun. 15, 2013) BCMGUNFIGHTER Vertical Grip—Black; Website [Online] Available Website: <http://www.bravocompanyusa.com/BCM-GUN-FIGHTER-s-Vertical-Grip-VG-Black-p/bcm-gfv-g-black.html>; Last Update: Sep. 11, 2014; Access on: Sep. 17, 2014.

BravoCompanyUSA\_com\_2013\_Vertical\_Grip\_SHORT\_Black BravoCompanyUSA.com (Oct. 19, 2013) BCMGUNFIGHTER Vertical Grip Short—Black; Website [Online] Available Website: <http://www.bravocompanyusa.com/BCM-GUN-FIGHTER-s-Vertical-Grip-VG-Black-p/bcm-gfv-g-black.htm>; Last Update: Sep. 11, 2014; Accessed on: Sep. 17, 2014.

Command\_Arms\_Accessories\_2011\_BVG\_Forearm\_Vertical\_Grip Command Arms Accessories (May 14, 2011) BVG Forearm Vertical Grip; Website [Online] Available Website: <http://store.commandarms.com/products/BVG.html>; Last Update: Jun. 28, 2013; Accessed on: Sep. 17, 2014.

Command\_Arms\_Accessories\_2011\_CGRIP-Combat\_Ergonomic\_Forearm\_Grip Command Arms Accessories (Oct. 3, 2011) CGRIP—Combat Ergonomic Forearm Grip; Website [Online] Available Website: <http://store.commandarms.com/products/CGRIP.html>; Last Update: Dec. 4, 2011; Accessed on: Sep. 17, 2014.

Command\_Arms\_Accessories\_2011\_EVG\_Ergonomic\_Vertical\_Grip Command Arms Accessories (May 14, 2011) Ergonomic Vertical Grip | EVG; Website [Online] Available Website: <http://store.commandarms.com/products/EVG.html>; Last Update: Jun. 22, 2013; Accessed on: Sep. 17, 2014.

Command\_Arms\_Accessories\_2011\_FGA\_Fore\_Grip\_Flashlight\_Holder Command Arms Accessories (May 7, 2011) FGA Fore Grip & Flashlight Holder; Website [Online] Available Website: <http://store.commandarms.com/products/FGA.html>; Last Update: Jun. 19, 2013; Accessed on: Sep. 17, 2014.

Command\_Arms\_Accessories\_2011\_FVG5\_5-Position\_Folding\_Forearm\_Grip Command Arms Accessories (May 17, 2011) FVG5 5-Position Folding Forearm Grip; Website [Online] Available Website: <http://store.commandarms.com/products/FVG5.html>; Last Update: Jun. 19, 2013; Accessed: Sep. 17, 2014.

Command\_Arms\_Accessories\_2011\_MVG\_Short\_Vertical\_Grip Command Arms Accessories (May 14, 2011) MVG Short Vertical Grip; Website [Online] Available Website: <http://store.commandarms.com/products/MVG.html>; Last Update: Dec. 27, 2013; Accessed on: Sep. 17, 2014.

Command\_Arms\_Accessories\_2011\_Pistol\_Grip\_UPG16 Command Arms Accessories (May 5, 2011) Pistol Grip | UPG16; Website [Online] Available Website: <http://store.commandarms.com/products/UPG16.html>; Last Update: Sep. 3, 2013; Accessed on: Sep. 4, 2014.

Command\_Arms\_Accessories\_2011\_Replacement\_Pistol\_Grip\_G16 Command Arms Accessories (May 7, 2011) Replacement Pistol Grip | G16; Website [Online] Available Website: <http://store.commandarms.com/products/G16.html>; Last Update: Aug. 28, 2013; Accessed on: Sep. 22, 2014.

Command\_Arms\_Accessories\_2011\_SVG\_Short\_Vertical\_Grip Command Arms Accessories (May 14, 2011) SVG Short Vertical Grip; Website [Online] Available Website: <http://store.commandarms.com/products/SVG.html>; Last Update: May 25, 2013; Accessed on: Sep. 17, 2014.

Command\_Arms\_Accessories\_2011\_TVG\_Vertical\_Forward\_Grip Command Arms Accessories (May 17, 2011) TVG Vertical Forward Grip; Website [Online] Available Website: <http://store.commandarms.com/products/TVG.html>; Last Update: Jun. 19, 2013; Accessed on: Sep. 17, 2014.

Command\_Arms\_Accessories\_TVG1\_Vertical\_Forward\_Grip Command Arms Accessories TVG1 Vertical Forward Grip; Website [Online] Available website: <http://store.commandarms.com/products/thunder-three-1-finger-vertical-forward-grip/>; Last Update: Unknown; Accessed on: Sep. 17, 2014.

Crimson\_Trace\_2011\_MVF\_515 Crimson Trace (Dec. 4, 2011) MVF-515; Website [Online] Available Website: <http://www.crimsontrace.com/products/type/modular-vertical-foregrips/>; Last Update: Jul. 3, 2013; Accessed on: Sep. 17, 2014.

Daniel\_Defense\_2012\_CONVERT\_GRIP\_BLACK Daniel Defense (Nov. 22, 2012) Convert Grip™ Black; Website [Online] Available Website: <https://danieldefense.com/convert-griptm-black.html>; Last Update: Jul. 23, 2014; Accessed on: Sep. 17, 2014.

Daniel\_Defense\_2012\_Vertical\_Foregrip\_Black Daniel Defense (Nov. 18, 2012) Vertical Foregrip, Black; Website [Online] Available Website: <https://danieldefense.com/components-parts/vertical-grips/vertical-foregrip-black.html>; Last Update: Jul. 23, 2014; Accessed on: Sep. 17, 2014.

Defense\_Review\_2009\_HK416\_Pistol\_Driven\_5.56\_Carbine Defense Review (Apr. 10, 2009) HK416 Pistol-Driven 5.56 Carbine and High-Reliability 30-Round Steel Mag; Website [Online] Available Website: <http://www.defensereview.com/hk416-piston-driven->



(56)

**References Cited**

## OTHER PUBLICATIONS

556-carbine-and-high-reliability-30-round-steel-mag/; Last Update: Oct. 14, 2013; Accessed on Sep. 22, 2014.

DPMS\_Panther\_Arms\_2014\_SPR\_Pistol\_Grip DPMS Panther Arms SPR Pistol Grip; Website [Online] Available Website: [http://www.dpmsinc.com/SPR-Pistol-Grip\\_p\\_490.html](http://www.dpmsinc.com/SPR-Pistol-Grip_p_490.html); Last Update: Unknown; Accessed on: Sep. 4, 2014.

DPMS\_Panther\_Arms\_Panther\_Tactical\_Grip DPMS Panther Arms; Panther Tactical Grip; Website [Online] Available Website: [http://www.dpmsinc.com/Panthertrade-Tactical-Grip\\_p\\_464.html](http://www.dpmsinc.com/Panthertrade-Tactical-Grip_p_464.html); Last Update: Unknown; Accessed on: Oct. 6, 2014.

eSarcoInccom\_2014\_Product\_Image ESarcoInc.com (Sep. 14, 2014) Product Image; Website [Online] Available Website: <http://www.e-sarcoinc.com/images/products/detail/ar074.jpg>; Last Update: Unknown; Accessed on: Sep. 4, 2014.

Fortis\_Manufacturing\_Shift\_Vertical\_Grip Fortis Manufacturing Shift™ Vertical Grip; Website [Online] Available website: <http://fortismfg.com/ar15-fortis-shiftf-vertical-grip>; Last Update: Unknown; Accessed on: Oct. 6, 2014.

Gear\_Sector\_2011\_Vertical\_Grips Gear Sector (Apr. 3, 2011) Vertical Grips; Website [Online] Available Website: <https://www.gearsector.com/browse/category/mounts/weapon-controls/vertical-grips/>; Last Update: Sep. 18, 2012; Accessed on: Sep. 17, 2014.

GG&G\_2011\_Vertical\_Foregrip GG&G (Apr. 25, 2011) Vertical Foregrip; Website [Online] Available Website: <http://www.gggaz.com/vertical-foregrip.html>; Last Update: Aug. 5, 2014; Accessed on: Sep. 17, 2014.

Grip\_Pod\_2012\_Grip\_Pod\_Models Grip Pod Systems International, LLC (Sep. 30, 2012) Grip Pod Models; Website [Online] Available Website: <http://www.grippod.com/gsp-02-rmilitary/>; Last Update: Jul. 16, 2014; Accessed on: Sep. 17, 2014.

Gun\_Blast\_2005\_Bushmaster\_XM\_15 GunBlast.com (Dec. 14, 2005) Bushmaster XM 15; Website [Online] Available Website: [http://www.gunblast.com/images/Bushmaster\\_XM15/Mvc-017f.jpg](http://www.gunblast.com/images/Bushmaster_XM15/Mvc-017f.jpg); Last Update: Aug. 11, 2014; Accessed on: Sep. 4, 2014.

HKParts\_net\_2010\_MP5\_Trigger\_Housings HKParts.net (Nov. 2, 2010) MP5—Trigger Housings; Website [Online] Available Website: <http://www.hkparts.net/shop/pc/MP5-Trigger-Housings-c242.htm>; Last Update: Jul. 2, 2014; Accessed on: Sep. 8, 2014.

HKParts\_net\_2012\_HK\_416\_MR556\_MR762\_Battle\_Grip\_Storage HKParts.net (Jun. 29, 2012) HK 416, MR556 & MR762 Battle Grip W/ Storage; Website [Online] Available Website: [http://www.hkparts.net/shop/pc/HK-416-MR556-MR762-Battle-Grip-W-Storage-p33.htm#.VA4I2\\_ldWVN](http://www.hkparts.net/shop/pc/HK-416-MR556-MR762-Battle-Grip-W-Storage-p33.htm#.VA4I2_ldWVN); Last Update: Mar. 16, 2013; Accessed on: Sep. 8, 2014.

HKparts\_net\_2012\_HK\_German\_Vertical\_Grip HKParts.net (Mar. 1, 2012) HK German Vertical Grip; Website [Online] Available Website: <http://www.hkparts.net/shop/pc/HK-German-Vertical-Grip-p34.htm#.VBokmPldWVN>; Last Update: Jun. 23, 2013; Accessed on: Sep. 17, 2014.

HKParts\_net\_2014\_MP5 HKParts.net (Jul. 29, 2014) MP5; Website [Online] Available Website: <http://www.hkparts.net/shop/pc/MP5-c5.htm>; Last Update: Sep. 5, 2014; Accessed on: Sep. 8, 2014.

Hogue\_2012\_Extreme\_Series\_G10\_Grips Hogue (May 10, 2012) Extreme™ Series G10 Grips; Website [Online] Available Website: [http://www.hoguestore.com/index.php?main\\_page=index&cPath=16\\_680](http://www.hoguestore.com/index.php?main_page=index&cPath=16_680); Last Update: Jul. 3, 2014; Accessed on: Sep. 8, 2014.

Hogue\_2013\_Soft\_OverMolded\_Rubber Hogue (May 7, 2013) Soft OverMolded Rubber; Website [Online] Available website: [http://www.hoguestore.com/index.php?main\\_page=index&cPath=16\\_763](http://www.hoguestore.com/index.php?main_page=index&cPath=16_763); Last Update: Jul. 3, 2014; Accessed on: Sep. 8, 2014.

Hogue\_2014\_Extreme\_Series\_Aluminum\_Grips Hogue (Apr. 3, 2014) Extreme™ Series Aluminum Grips; Website [Online] Available Website: [http://www.hoguestore.com/index.php?main\\_page=index&cPath=16\\_818](http://www.hoguestore.com/index.php?main_page=index&cPath=16_818); Last Update: Jul. 3, 2014; Accessed on: Sep. 8, 2014.

Impact\_Guns\_2013\_Bushmaster\_Enhanced\_Pistol\_Grip\_M16\_AR15 Impact Guns (Apr. 20, 2013) Bushmaster Enhanced Pistol Grip M16/AR-15/M4/HK416, Milspec, Black; Website [Online] Available Website: <http://www.impactguns.com/bushmaster-enhanced-pistol-grip-will-fit-m16ar-15m4hk416-milspec-black-93392-604206933928.aspx>; Last Update: Sep. 1, 2014; Accessed on: Sep. 4, 2014.

John\_Masen\_Nylon\_Vertical\_Foregrip\_no\_bar John Masen Co. Nylon Vertical Foregrip (no bar); Website [Online] Available Website: [http://www.johnmasen.com/Merchant2/merchant.mvc?Screen=PROD&Store\\_Code=J&Product\\_Code=1505NPG&Category\\_Code=AA](http://www.johnmasen.com/Merchant2/merchant.mvc?Screen=PROD&Store_Code=J&Product_Code=1505NPG&Category_Code=AA); Last Update: Unknown; Accessed on: Sep. 17, 2014.

LaRue\_Tactical\_2011\_Ergo\_AR15\_M16\_Ambidextrous\_SureGrip LaRue Tactical (Oct. 2, 2011) Ergo AR15/M16 Ambidextrous Suregrip; Website [Online] available Website: <http://www.laruetaactical.com/ergo-ar15m16-ambidextrous-suregrip>; Last Update: Aug. 8, 2014; Accessed on: Sep. 4, 2014.

Magpul\_2013\_MIAD\_GEN\_1-1\_Grip\_Kit\_Type\_1 Magpul Industries Corporation (Jan. 18, 2013) MIAD® GEN 1.1 Grip Kit—Type 1; Website [Online] Available Website: <http://store.magpul.com/product/MAG520/grips>; Last Update: Jul. 2, 2014; Accessed on: Sep. 4, 2014.

Magpul\_2013\_MOE\_K2\_Grip\_AR15\_M4 Magpul Industries Corporation (Feb. 12, 2013); MOE-K2® Grip—AR15/M4; Website [Online] Available Website: <http://store.magpul.com/product/MAG522/grips>; Last Update: Jul. 2, 2014; Accessed on: Sep. 4, 2014.

Magpul\_MVG\_MOE\_Vertical\_Grip Magpul Industries Corporation; MVG®—MOE® Vertical Grip; Website [Online] Available Website: <http://store.magpul.com/product/MAG413/raais>; Last Update: Unknown; Accessed on: Sep. 17, 2014.

Magpul\_RVG\_Rail\_Vertical\_Grip Magpul Industries Corporation RVG®—Rail Vertical Grip; Website [Online] Available Website: <http://store.magpul.com/product/MAG412/raais>; Last Update: Unknown; Accessed on: Sep. 17, 2014.

Mako\_Group\_Israeli\_Defense\_Forces\_Pistol\_Grip Mako Group Israeli Defense Forces Pistol Grip for M16/M4/AR-15; Website [Online] Available Website: <http://www.themakogroup.com/Detail.aspx?PROD=1042609&CAT=8667>; Last Update: Unknown; Accessed on: Sep. 4, 2014.

Mako\_Group\_Magazine\_Well\_Grip\_Magwell\_Funnel Mako Group Magazine Well Grip and Magwell Funnel for M16/M4/AR-15; Website [Online] Available Website: <http://www.themakogroup.com/Detail.aspx?PROD=1042801>; Last Update: Unknown; Accessed on: Sep. 18, 2014.

Mako\_Group\_Quick\_Release\_Ergonomic\_Vertical\_Foregrip Mako Group Quick Release Ergonomic Vertical Foregrip; Website [Online] Available Website: <http://www.themakogroup.com/Detail.aspx?PROD=1042622>; Last Update Unknown; Accessed on: Sep. 18, 2014.

Mako\_Group\_Quick\_Release\_Tactical\_Vertical\_Grip Mako Group Quick Release Tactical Vertical Grip with Battery Compartment; Website [Online] Available Website: <http://www.themakogroup.com/Detail.aspx?PROD=1042885>; Last Update: Unknown; Accessed on: Sep. 18, 2014.

Mako\_Group\_Rubberized\_Pistol\_Grip\_M16\_M4\_AR-15 Mako Group Rubberized Pistol Grip for M16/M4/AR-15; Website [Online] Available Website: <http://www.themakogroup.com/Detail.aspx?PROD=1042623&CAT=8667>; Last Update: Unknown; Accessed on: Sep. 4, 2014.

Mako\_Group\_Tactical\_Pivoting\_QR\_Vertical\_Foregrip Mako Group Tactical Pivoting QR Vertical Foregrip with Integrated Adjustable Bipod—Gen 2; Website [Online] Available Website: <http://www.themakogroup.com/Detail.aspx?PROD=1042875>; Last Update: Unknown; Accessed on: Sep. 18, 2014.

Mako\_Group\_Tactical\_Vertical\_Foregrip Mako Group Tactical Vertical Foregrip with Integrated Adjustable Bipod and 1" flashlight adapter—Gen 2; Website [Online] Available Website: <http://www.themakogroup.com/Detail.aspx?PROD=1042874>; Last Update: Unknown; Accessed on: Sep. 18, 2014.

MidwayUSA\_2011\_Hogue\_OverMolded\_Pistol\_Grip\_AR-15\_Rubber MidwayUSA (Nov. 13, 2011) Hogue OverMolded Pistol Grip AR-15 Rubber; Website [Online] Available Website: <http://www.midwayusa.com/product/1042874>



(56)

## References Cited

## OTHER PUBLICATIONS

www.midwayusa.com/product/1151348749/hogue-overmolded-pistol-grip-ar-15-rubber; Last Update: Dec. 12, 2013; Accessed on: Sep. 8, 2014.

MidwayUSA\_2012\_Beretta\_Vertical\_Forend\_Grip\_w\_Logo MidwayUSA (Mar. 26, 2012) Beretta Vertical Forend Grip 2-Position Folding Beretta Cx4 Storm with Beretta Logo; Website [Online] Available Website: <http://www.midwayusa.com/product/523585/beretta-vertical-forend-grip-2-position-folding-beretta-cx4-storm-with-beretta-logo>; Last Update: Nov. 4, 2012; Accessed on: Sep. 17, 2014.

MidwayUSA\_2013\_Advanced\_Technology\_Vertical\_Forend\_Grip MidwayUSA (Mar. 17, 2013) Advanced Technology Vertical Forend Grip 5-Position Folding Fits Picatinny Rail Polymer; Website [Online] Available Website: <http://www.midwayusa.com/product/111125747/advanced-technology-vertical-forend-grip-5-position-folding-fits-picatinny-rail-polymer>; Last Update: Jun. 2, 2013; Accessed on: Sep. 17, 2014.

MidwayUSA\_2013\_Mission\_First\_Tactical\_G27\_Tactical\_Pistol\_Grip MidwayUSA (Jan. 1, 2013) Mission First Tactical G27 Tactical Pistol Grip with Storage Compartment AR-15 Polymer; Website [Online] Available Website: <http://www.midwayusa.com/product/3022325112/mission-first-tactical-g27-tactical-pistol-grip-with-storage-compartment-ar-15-polymer>; Last Update: Oct. 26, 2013; Accessed: Oct. 10, 2014.

MidwayUSA\_2014\_Hogue\_Overmolded\_Grip MidwayUSA (Sep. 4, 2014) Hogue Overmolded Grip & G10 Grip; Website [Online] Available Website: <http://media.midwayusa.com/productimages/880x660/Primary/493/493634.jpg>; Last Update: Unknown; Accessed on: Sep. 22, 2014.

Mission\_First\_Tactical\_2011\_MFT\_Classic\_VG1 Mission First Tactical (Oct. 28, 2011) MFT Classic™ VG1 Quick Detach Vertical Grip; Website [Online] Available Website: <http://www.missionfirsttactical.com/Products/Vertical-Grips/Quick-Detach-Vertical-Grip>; Last Update: Unknown; Accessed on: Sep. 18, 2014.

Mission\_First\_Tactical\_2011\_React\_Folding\_Grip Mission First Tactical (Oct. 28, 2011) React™ Folding Grip; Website [Online] Available Website: <http://www.missionfirsttactical.com/Products/Vertical-Grips/RAECT-Folding-Grip>; Last Update: Unknown; Accessed on: Sep. 18, 2014.

Mission\_First\_Tactical\_2011\_React\_Full\_Size\_Grip Mission First Tactical (Oct. 28, 2011) React™ Full Size Grip; Website [Online] Available Website: <http://www.missionfirsttactical.com/Products/Vertical-Grips/REACT-Ergonomic-Vertical-Grip>; Last Update: Unknown; Accessed on: Sep. 18, 2014.

Mission\_First\_Tactical\_2011\_React\_Magwell\_Grip Mission First Tactical (Oct. 28, 2011) React™ Magwell Grip; Website [Online] Available Website: <http://www.missionfirsttactical.com/Products/Vertical-Grips/REACT-Magwell-Grip>; Last Update: Apr. 23, 2013; Accessed on: Sep. 18, 2014.

Mission\_First\_Tactical\_2011\_React\_Short\_Grip Mission First Tactical (Oct. 28, 2011) React™ Short Grip; Website [Online] Available Website: <http://www.missionfirsttactical.com/Products/Vertical-Grips/REACT-Short-Vertical-Grip>; Last Update: Unknown; Accessed on: Sep. 18, 2014.

Mission\_First\_Tactical\_2011\_React\_Torch\_Grip Mission First Tactical (Oct. 28, 2011) React™ Torch Grip; Website [Online] Available Website: <http://www.missionfirsttactical.com/Products/Vertical-Grips/REACT-Torch-and-Vertical-Grip>; Last Update: Unknown; Accessed on: Sep. 18, 2014.

Ozark\_Surplus\_M16\_M16A1\_Original\_Pistol\_Grip Ozark Surplus M16/M16A1 Original Pistol Grip; Website [Online] Available Website: <http://www.ozarksurplus.com/M16-M16A1-Original-Pistol-Grip-M16PSTLGRP.hmt>; Last Update: Unknown; Accessed on: Sep. 4, 2014.

Pro\_Mag\_Industries\_2014\_PM007\_AR-15\_M16\_Swiss\_Pattern Pro Mag Industries (Feb. 10, 2014) PM007—AR-15/M16 “Swiss Pattern” Vertical Fore Grip—Black Polymer; Website [Online] Available Website: <http://promagindustries.com/ar-15-ac>

cessories/156-ar-15m16-swiss-pattern-vertical-fore-grip-black-polymer.html; Last Update: Jul. 1, 2014; Accessed on: Sep. 18, 2014.

Pro\_Mag\_Industries\_2014\_PM191\_Picatinny\_Rail\_Vertical\_Fore\_Grip Pro Mag Industries (Feb. 13, 2014) PM191—Picatinny Rail Vertical Fore Grip and Adapter; Website [Online] Available Website: <http://promagindustries.com/rail-adapters/354-picatinny-rail-vertical-fore-grip-and-adapter.html>; Last Update: Jul. 2, 2014; Accessed on: Sep. 18, 2014.

Samson\_Evolution\_Vertical\_Grip\_AL\_Short Samson Manufacturing Evolution Vertical Grip (AL short); Website [Online] Available Website: [http://www.samson-mfg.com/mm5/merchant.mvc?Screen=PROD&Store\\_Code=SM&Product\\_Code=Evolution-Grip-VG02s&Category\\_Code=EVOLUTION\\_ACCESSORIES](http://www.samson-mfg.com/mm5/merchant.mvc?Screen=PROD&Store_Code=SM&Product_Code=Evolution-Grip-VG02s&Category_Code=EVOLUTION_ACCESSORIES); Last Update: Unknown; Accessed on: Sep. 18, 2014.

Samson\_Evolution\_Vertical\_Grip\_Long Samson Manufacturing Evolution Vertical Grip (AL Long); Website [Online] Available Website: [http://www.samson-mfg.com/mm5/merchant.mvc?Screen=PROD&Store\\_Code=SM&Product\\_Code=Evolution-Grip-VG02&Category\\_Code=EVOLUTION\\_ACCESSORIES](http://www.samson-mfg.com/mm5/merchant.mvc?Screen=PROD&Store_Code=SM&Product_Code=Evolution-Grip-VG02&Category_Code=EVOLUTION_ACCESSORIES); Last Update: Unknown; Accessed on: Sep. 18, 2014.

Samson\_Evolution\_Vertical\_Grip\_Plastic\_Long Samson Manufacturing Evolution Vertical Grip (Plastic Long); Website [Online] Available Website: [http://www.samson-mfg.com/mm5/merchant.mvc?Screen=PROD&Store\\_Code=SM&Product\\_Code=Evolution-Grip-VG01&Category\\_Code=EVOLUTION\\_ACCESSORIES](http://www.samson-mfg.com/mm5/merchant.mvc?Screen=PROD&Store_Code=SM&Product_Code=Evolution-Grip-VG01&Category_Code=EVOLUTION_ACCESSORIES); Last Update: Unknown; Accessed on: Sep. 18, 2014.

Sog\_Armory\_ABS\_Vertical\_Grip Sog Armory SOG ABS Vertical Grip; Website [Online] Available Website: <http://www.sogarmory.com/Product.aspx?ProductId=101226&Catid=0&ParentId=0>; Last Update: Unknown; Accessed on: Sep. 18, 2014.

Sog\_Armory\_Graphite\_Vertical\_Grip Sog Armory SOG Graphite Vertical Grip With Quick Detach Lockdown Post; Website [Online] Available Website: <http://www.sogarmory.com/Product.aspx?ProductId=101452&Catid=0&ParentId=0>; Last Update: Unknown; Accessed on: Sep. 18, 2014.

SureFire\_2012\_M900L\_Vertical\_Foregrip\_LED\_WeaponLight SureFire (Dec. 16, 2012) M900L Vertical Foregrip LED WeaponLight; Website [Online] Available Website: <http://www.surefire.com/m900l-weaponlight.html>; Last Update: Sep. 7, 2013; Accessed on: Sep. 18, 2014.

SureFire\_2012\_M900LT\_Vertical\_Foregrip\_LED\_WeaponLight\_Extended\_Range SureFire (Dec. 7, 2012) M900LT Vertical Foregrip LED WeaponLight—Extended Range; Website [Online] Available Website: <http://www.surefire.com/m900lt-weaponlight.html>; Last Update: Aug. 10, 2014; Accessed on: Sep. 18, 2014.

SureFire\_2012\_M900V\_Vertical\_Foregrip\_LED\_WeaponLight SureFire.com (Jul. 2, 2012) M900V Vertical Foregrip LED WeaponLight—White and IR Output; Website [Online] Available Website: <http://www.surefire.com/m900v.html>; Last Update: Oct. 4, 2013; Accessed on: Sep. 18, 2014.

Tacstar\_2014\_AR-15\_Tactical\_Front\_Rear\_Grips TacStar (Sep. 8, 2014) AR-15 Tactical Front & Rear Grips; Website [Online] Available Website: <http://www.tacstar.com/home/ar-15-grip.php>; Last update: Unknown; Accessed on: Sep. 18, 2014.

TangoDown\_2013\_TangoDown\_BattleGrip\_BG-16 TangoDown (Oct. 28, 2013) TangoDown Battlegrip BG-16; Website [Online] Available Website: <http://tangodown.com/shop/tangodown-battlegrip-bg-16/>; Last Update: Unknown; Accessed on: Sep. 4, 2014.

Tapco\_2011\_Vertical\_Grip\_Black Tapco (Nov. 6, 2011) Vertical Grip—Black; Website [Online] Available Website: [http://www.tapco.com/products/gear/index.php?\\_a=viewProd&productId=279](http://www.tapco.com/products/gear/index.php?_a=viewProd&productId=279); Last Update: Oct. 6, 2013; Accessed on: Sep. 18, 2014.

Tapco\_2011\_Vertical\_Grip\_Short\_Black Tapco Vertical Grip, Short—Black; Website [Online] Available Website: [http://www.tapco.com/products/index.php?\\_a=viewProd&productId=282](http://www.tapco.com/products/index.php?_a=viewProd&productId=282); Last Update: Unknown; Accessed on: Sep. 18, 2014.



(56)

**References Cited**

## OTHER PUBLICATIONS

Tapco\_Verical\_Grip\_and\_Bipod Tapco Vertical Grip and Bipod; Website [Online] Available Website: [http://www.tapco.com/products/gear/index.php?\\_a=viewProd&productId=293](http://www.tapco.com/products/gear/index.php?_a=viewProd&productId=293); Last Update: Unknown; Accessed on: Sep. 18, 2014.

Tapco\_Verical\_Grip\_Bipod Tapco Vertical Grip Bipod; Website [Online] Available Website: [http://www.tapco.com/products/gear/index.php?\\_a=viewProd&productId=236](http://www.tapco.com/products/gear/index.php?_a=viewProd&productId=236); Last Update: Unknown; Accessed on: Sep. 18, 2014.

Troy\_2014\_Grip\_CQB\_Verical\_Aluminum\_Blz Troy Industries (Apr. 23, 2014) Grip, CQB Vertical, Aluminum—Blk; Website [Online] Available Website: <https://troyind.com/products/grip-cqb-vertical-aluminum-blk>; Last Update: Unknown; Accessed on: Sep. 18, 2014.

Troy\_2014\_Modular\_Combat\_Grip\_Blz Troy Industries (Apr. 23, 2014) Modular Combat Grip—Blk; Website [Online] Available Website: <https://troyind.com/products/modular-combat-grip-blk>; Last Update: Unknown; Accessed on: Sep. 18, 2014.

Design U.S. Appl. No. 29/410,910, filed Jan. 13, 2012, “PMAG 30M3 Firearm Magazine” by Fitzpatrick Issued.

Design U.S. Appl. No. 29/420,155, filed May 4, 2012, “Translucent Magazine for a Firearm” by Fitzpatrick.

Design U.S. Appl. No. 29/423,116, filed May 29, 2012, “M3 10 Magazine” by Bennett Issued.

Design U.S. Appl. No. 29/423,117, filed May 29, 2012, “M3 20 Magazine” by Bennett.

Design U.S. Appl. No. 29/440,787, filed Dec. 27, 2012, “Firearm Magazine” by Mayberry.

Design U.S. Appl. No. 29/440,889, filed Dec. 28, 2012, “Firearm Magazine” by Kielsmeier.

Design U.S. Appl. No. 29/440,792, filed Dec. 27, 2012, “Firearm Magazine with Window” by Kielsmeier.

Design U.S. Appl. No. 29/450,963, filed Mar. 26, 2013, “Magazine for a Firearm” by Nakayama.

Design U.S. Appl. No. 29/450,964, filed Mar. 26, 2013, “Magazine for a Firearm” by Nakayama.

VISM\_QR\_Verical\_Grip VISM QR Vertical Grip; Website [Online] Available Website: <http://vism.com/vism-product/product-list-MountAccToolsHG.aspx?productseries=QR%20Vertical%20Grip>; Last Update: Unknown; Accessed on: Sep. 18, 2014.

Wikipedia\_2003\_AK-47 Wikipedia (Dec. 29, 2003) AK-47; Website [Online] Available Website: <http://en.wikipedia.org/wiki/AK-47>; Last Update: Aug. 28, 2014; Accessed: Sep. 4, 2014.

Wikipedia\_2005\_ArmaLite\_AR-18 Wikipedia (Dec. 15, 2005) ArmaLite AR-18; Website [online] Available Website: [http://en.wikipedia.org/wiki/ArmaLite\\_AR-18](http://en.wikipedia.org/wiki/ArmaLite_AR-18); Last Update: Oct. 24, 2013; Accessed on: Sep. 4, 2014.

Wikipedia\_2005\_Heckler\_Koch\_MP5 Wikipedia (Mar. 31, 2005) Heckler & KochMP<sub>5</sub>; Website [Online] Available Website: [http://en.wikipedia.org/wiki/Heckler\\_%26\\_Koch\\_MP5](http://en.wikipedia.org/wiki/Heckler_%26_Koch_MP5); Last Update: Aug. 17, 2014; Accessed on: Sep. 8, 2014.

Wikipedia\_2007\_Heckler\_Koch\_HK416 Wikipedia (Oct. 15, 2007) Heckler & Koch HK<sub>416</sub>; Website [Online] Available Website: [http://en.wikipedia.org/wiki/Heckler\\_%26\\_Koch\\_HK416](http://en.wikipedia.org/wiki/Heckler_%26_Koch_HK416); Last Update: May 29, 2014; Accessed on: Sep. 22, 2014.

Wikipedia\_2007\_Heckler\_Koch\_HK416 Wikipedia (Oct. 15, 2007) Heckler & Koch HK<sub>416</sub>; Website [Online] Available Website: [http://en.wikipedia.org/wiki/Heckler\\_%26\\_Koch\\_HK416](http://en.wikipedia.org/wiki/Heckler_%26_Koch_HK416); Last Update: May 29, 2014; Accessed on: Sep. 22, 2014.

\* cited by examiner

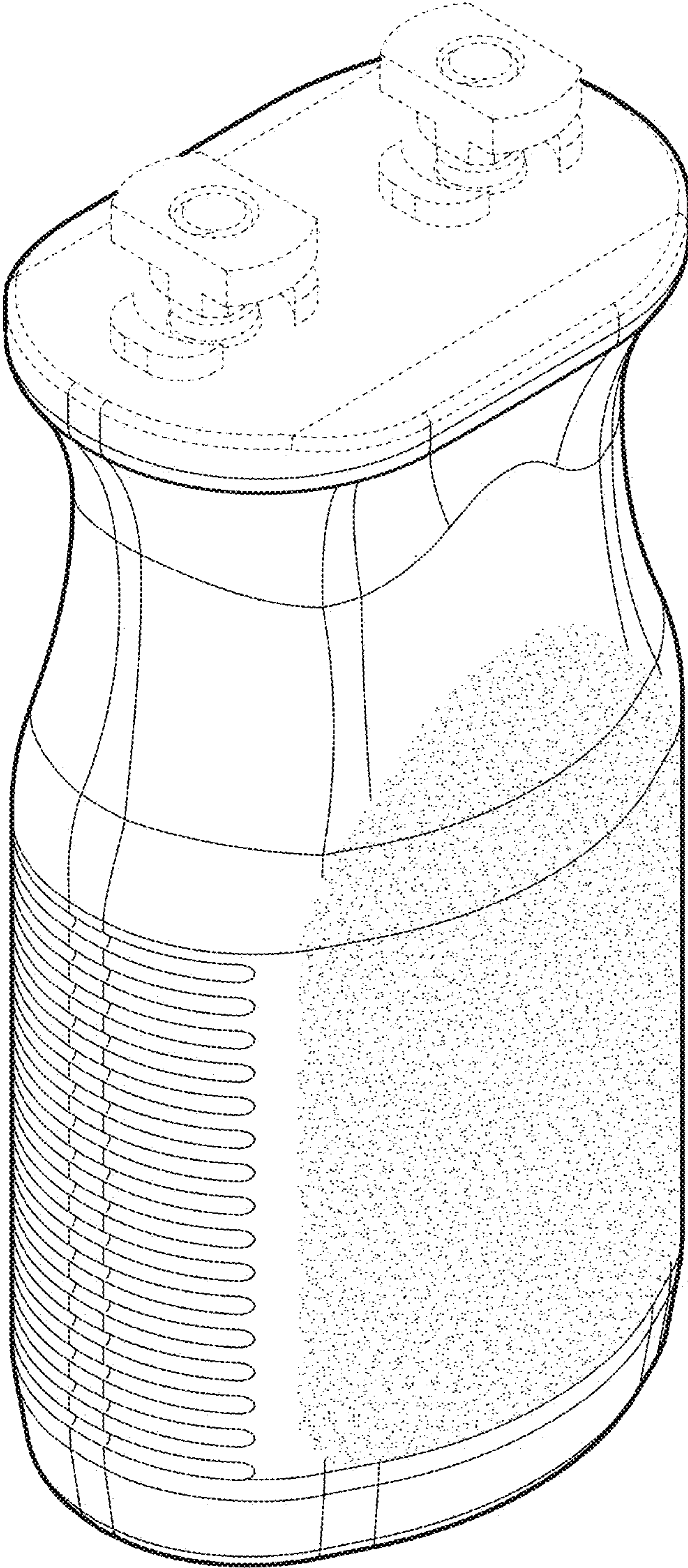


FIG. 1

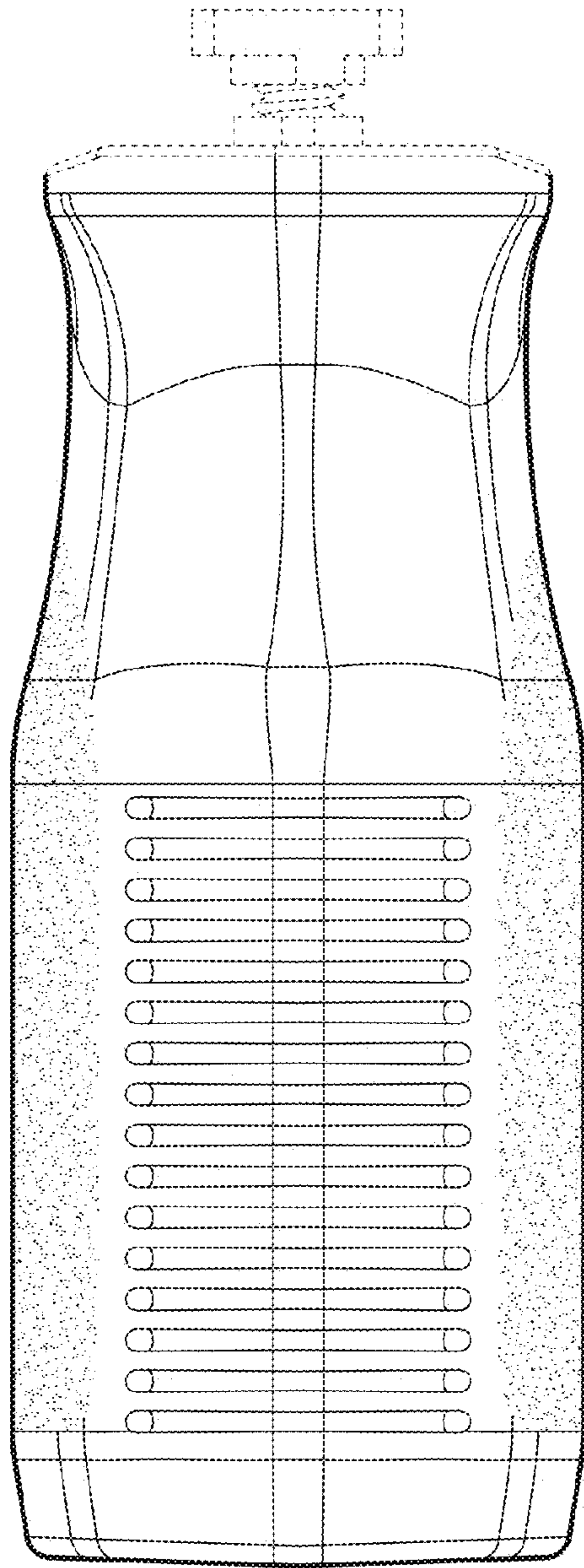


FIG. 2

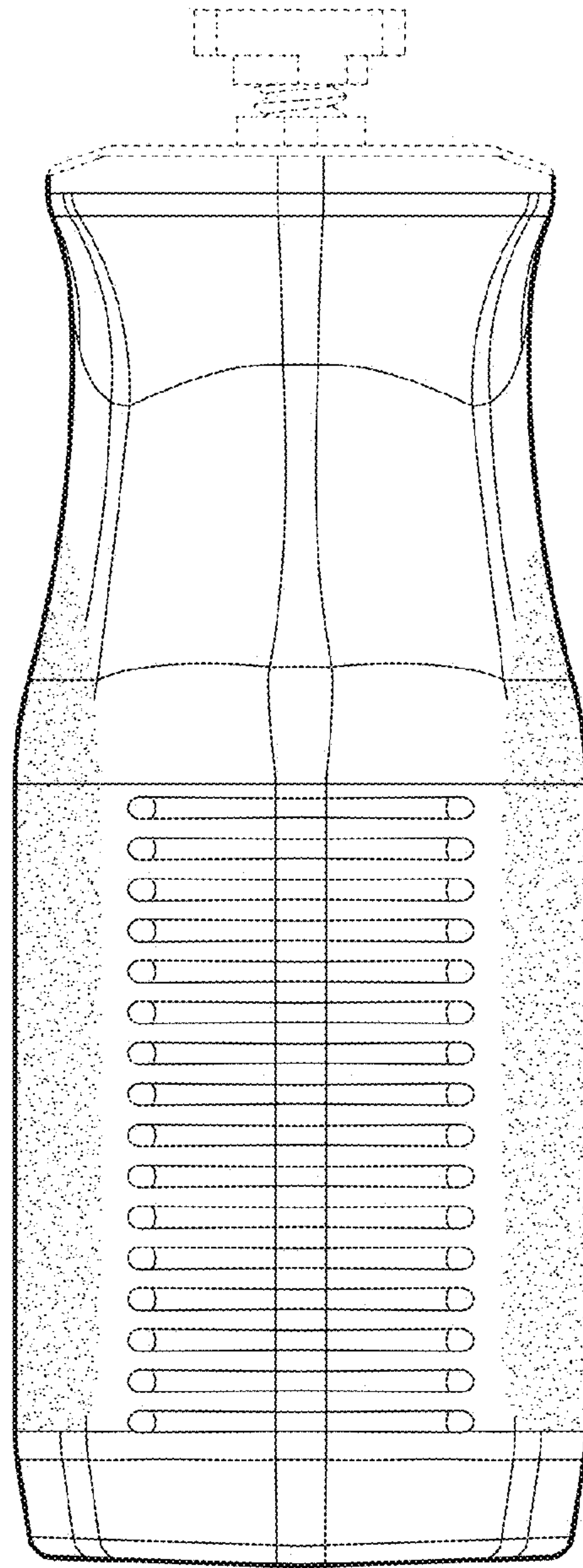


FIG. 3



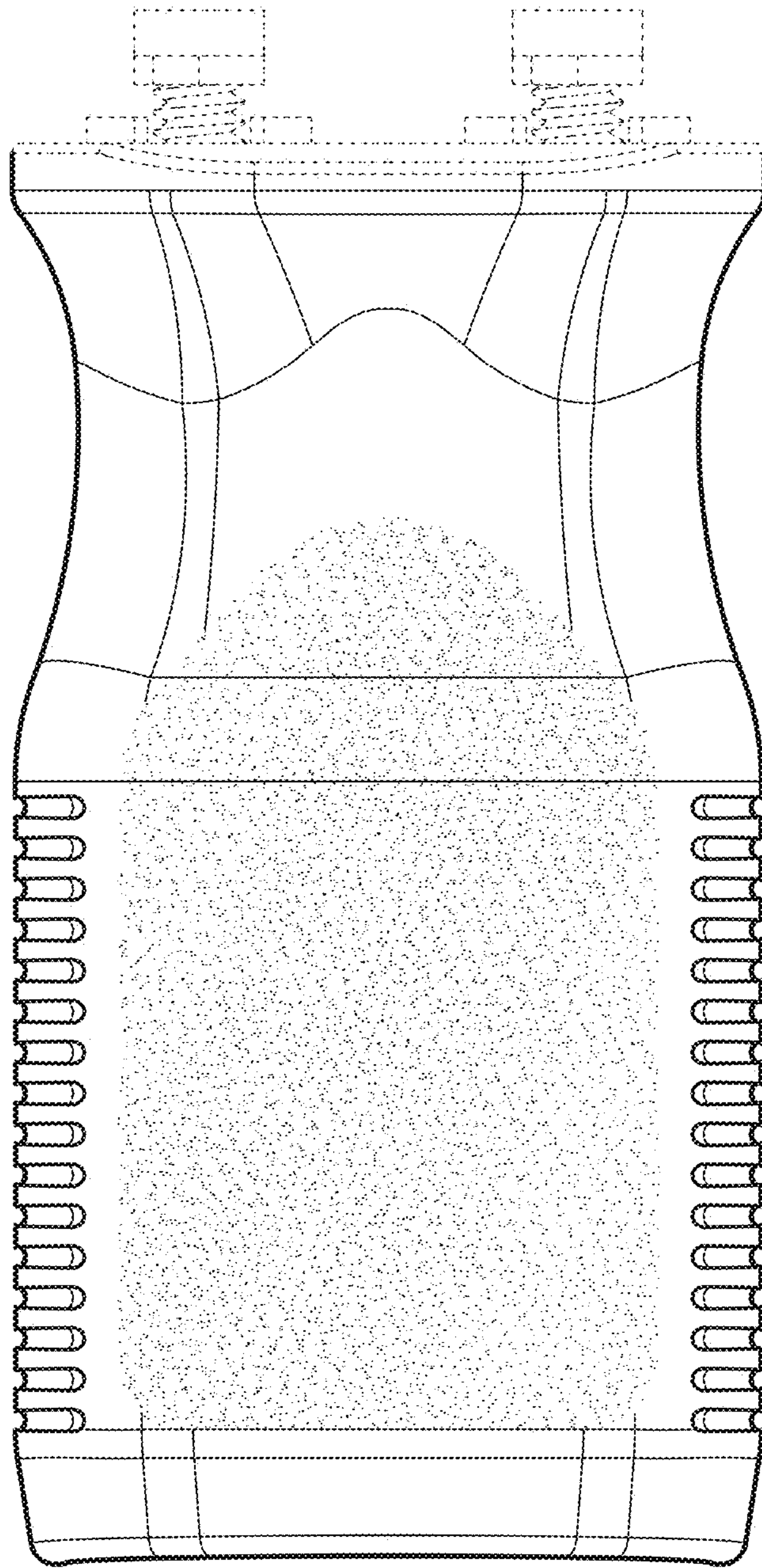


FIG. 4



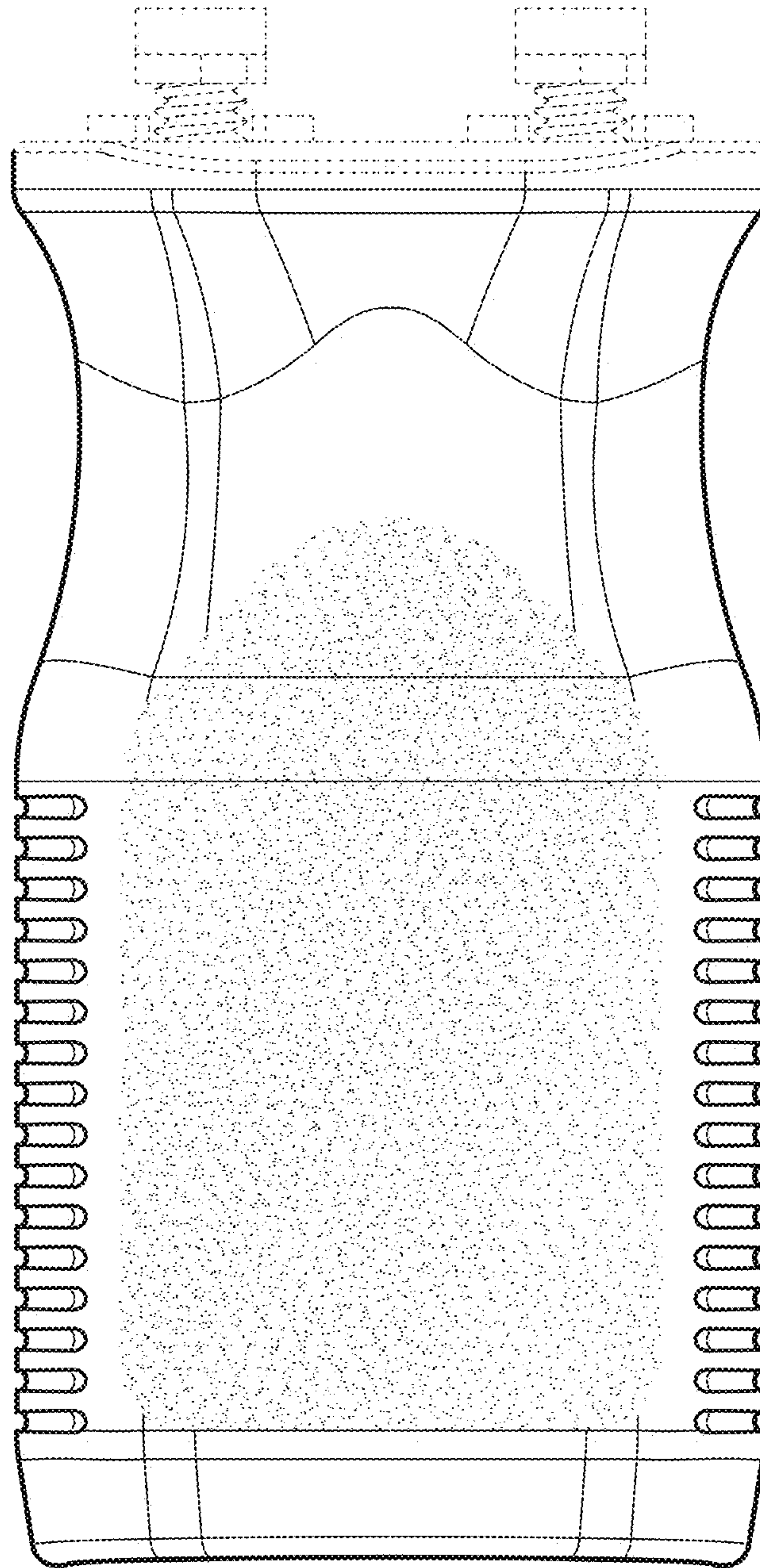
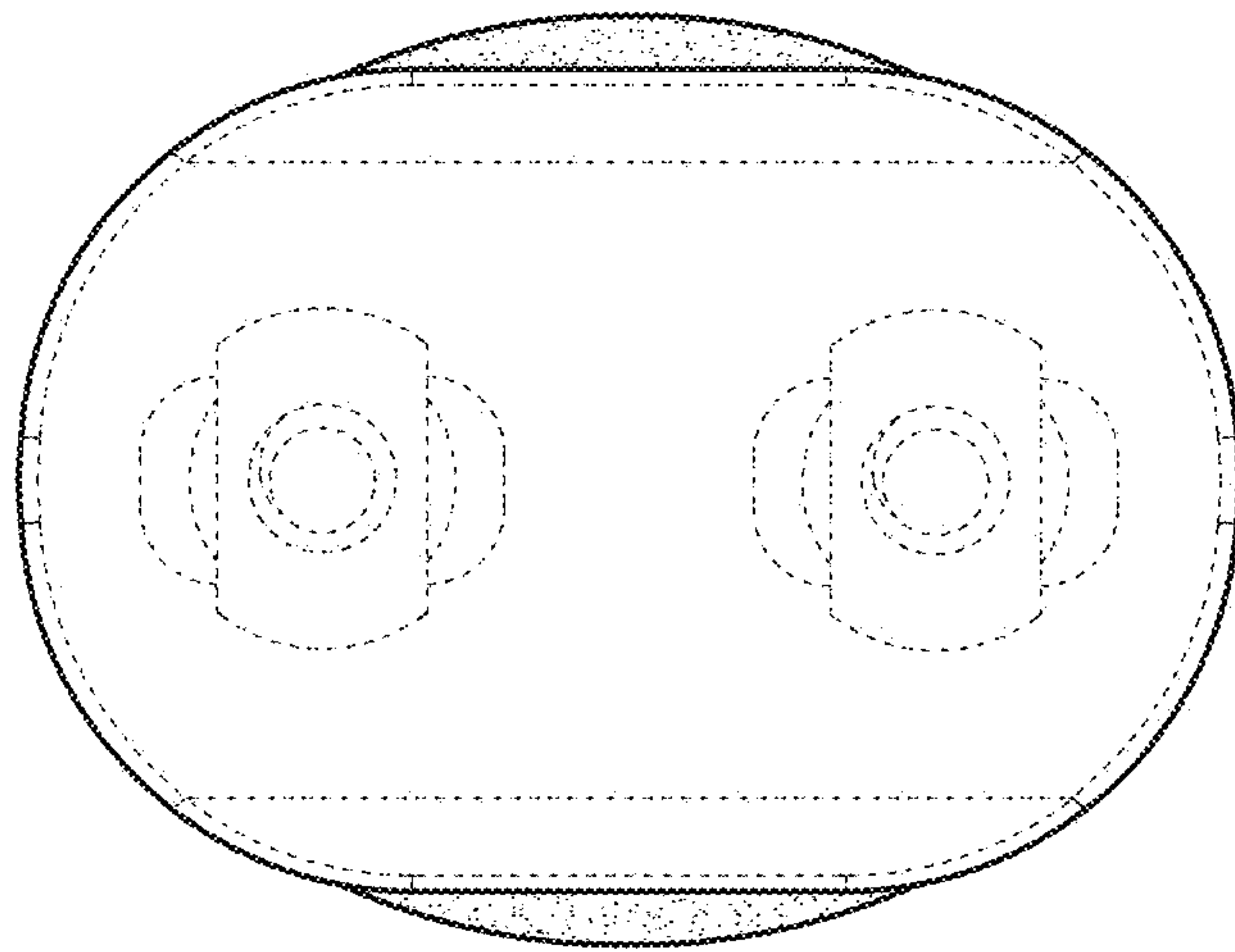
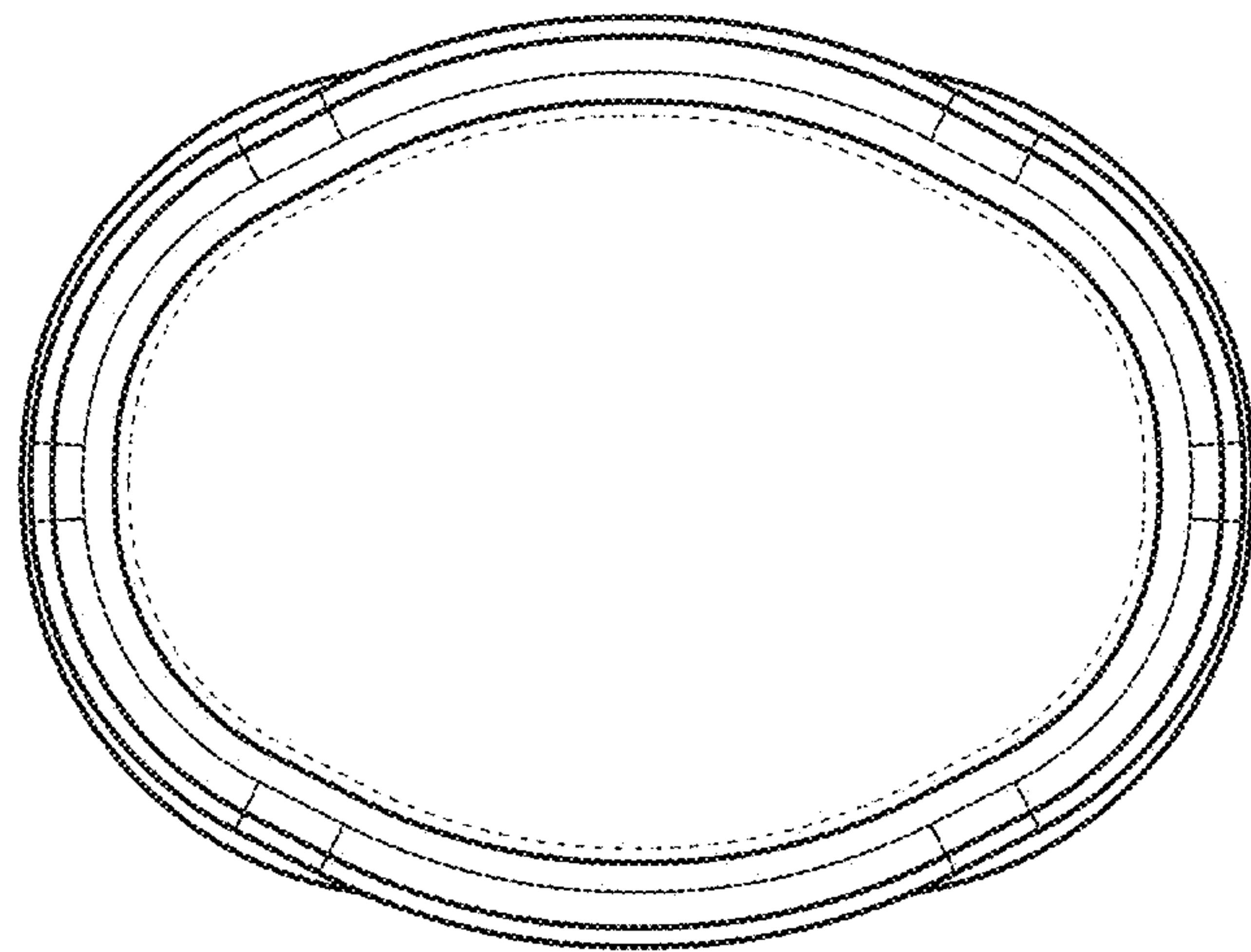


FIG. 5





*FIG. 6*



*FIG. 7*



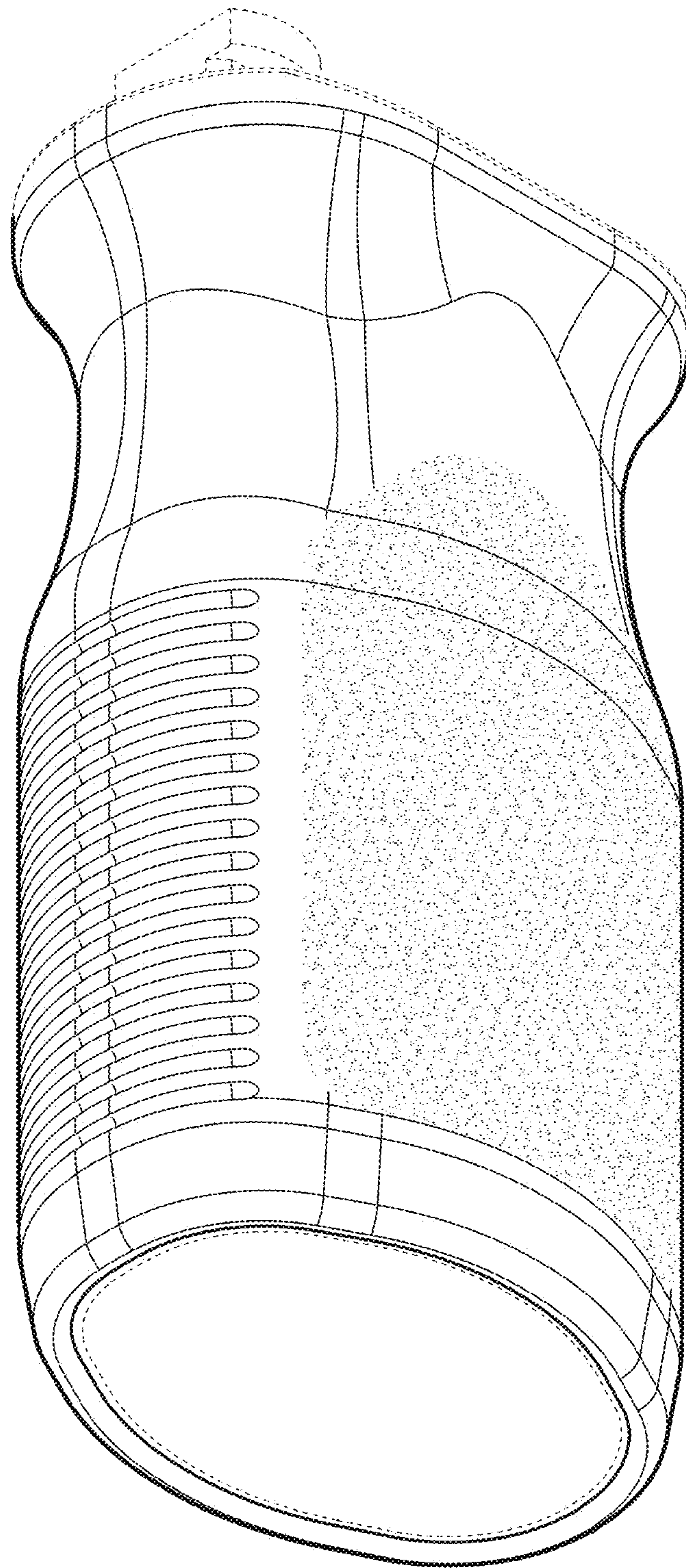


FIG. 8



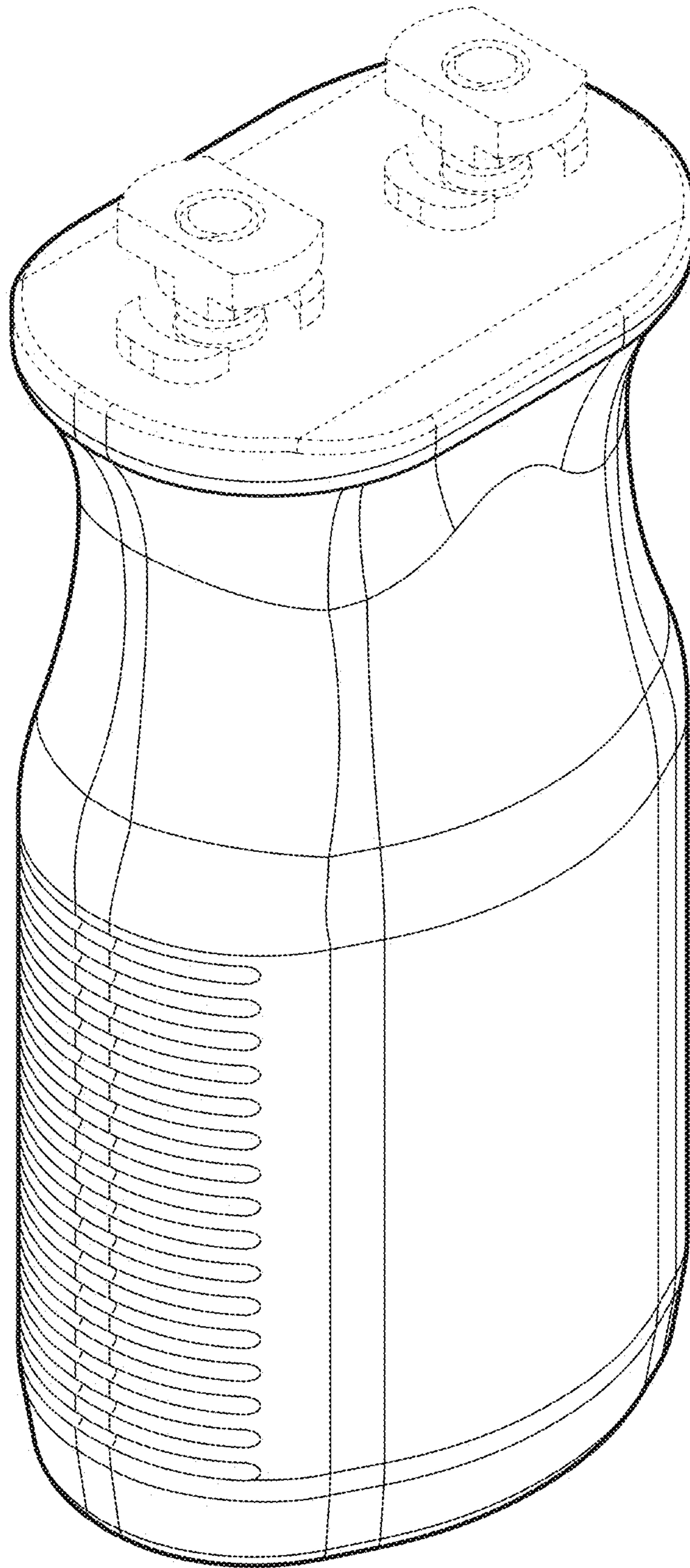


FIG. 9



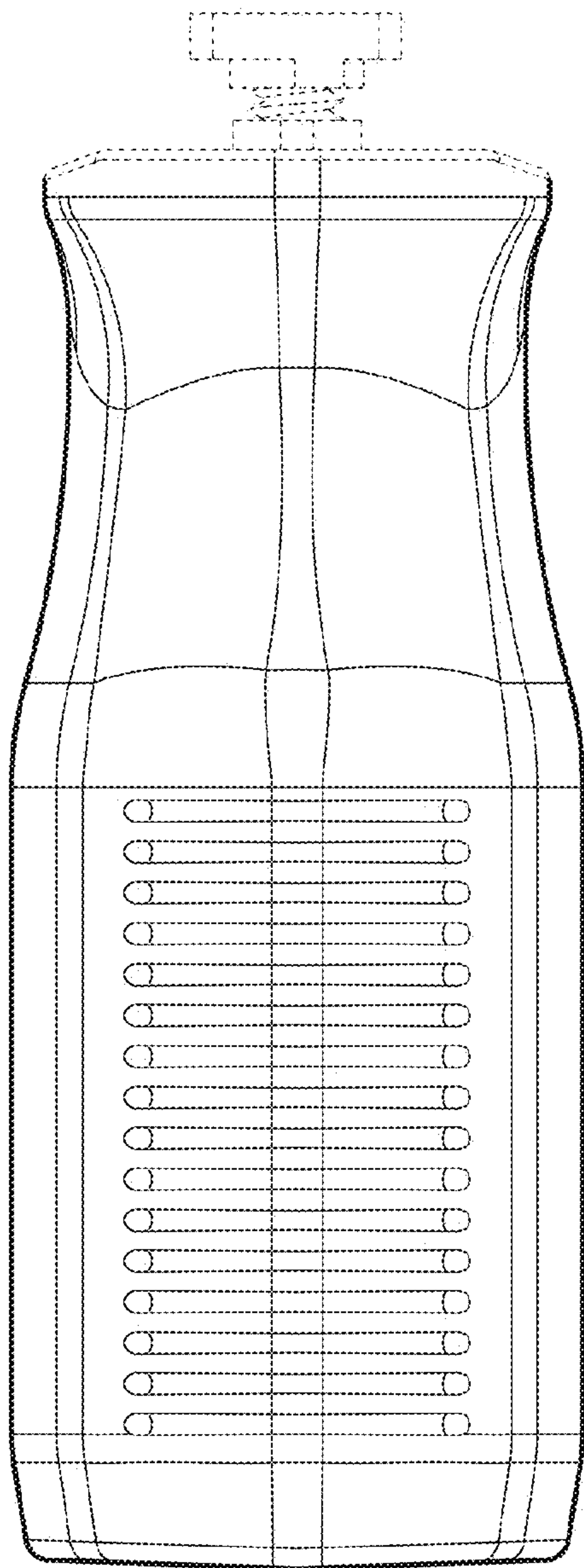


FIG. 10

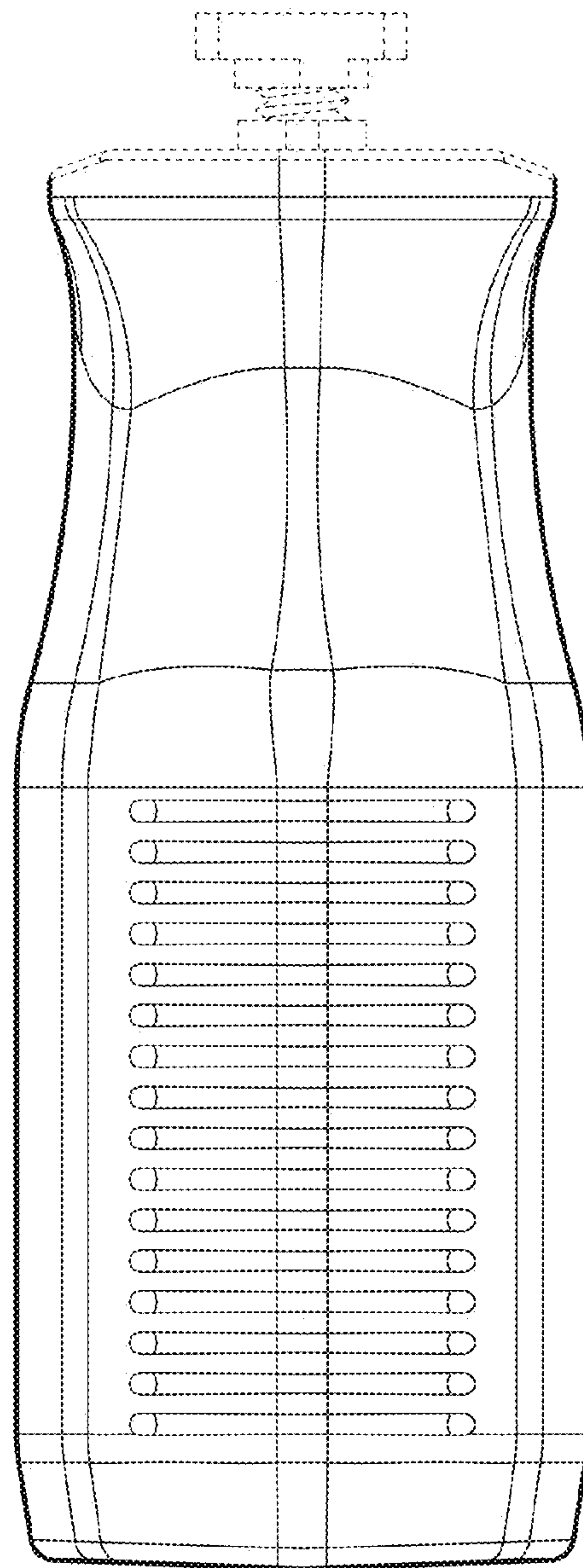


FIG. 11

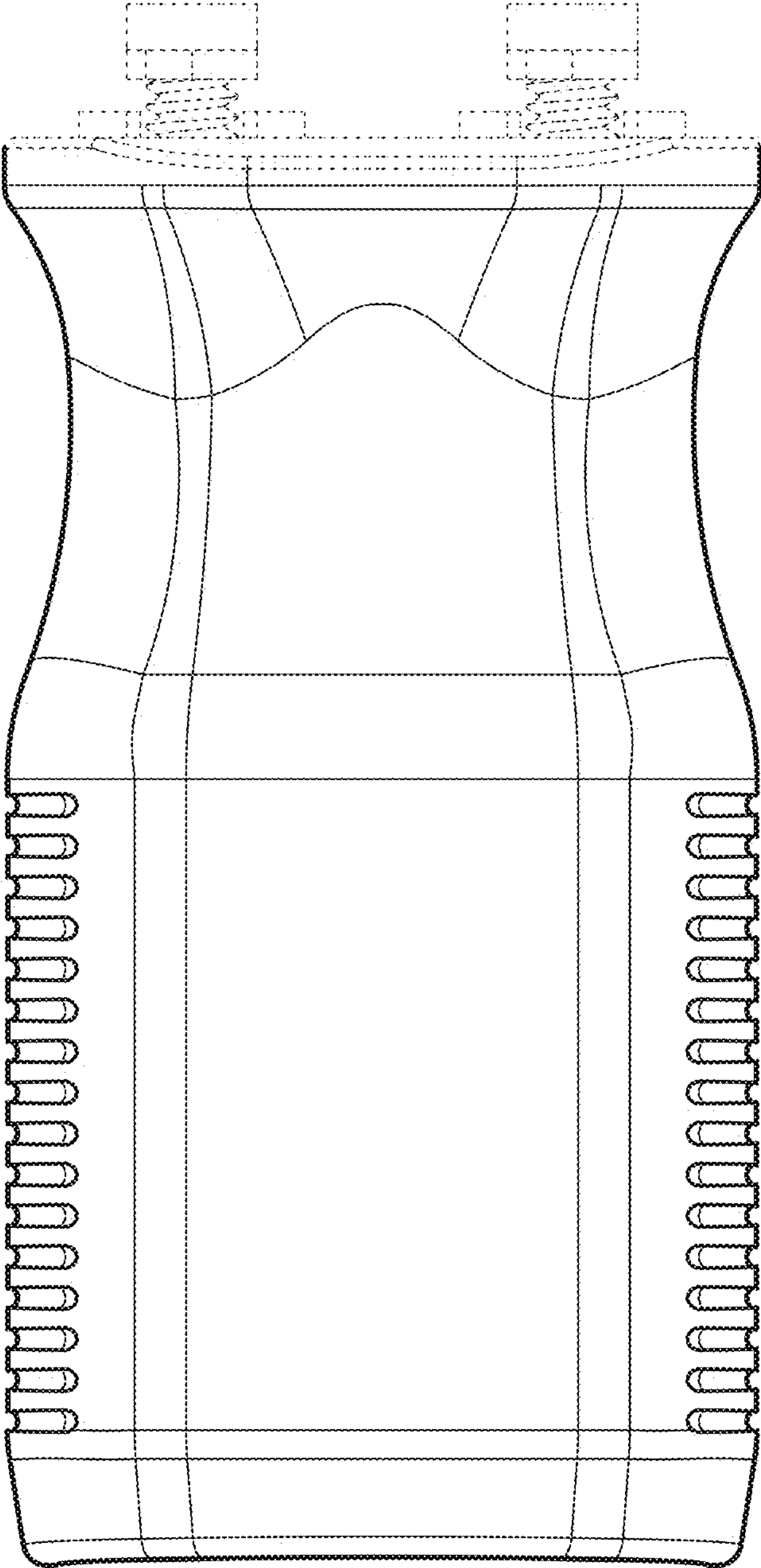
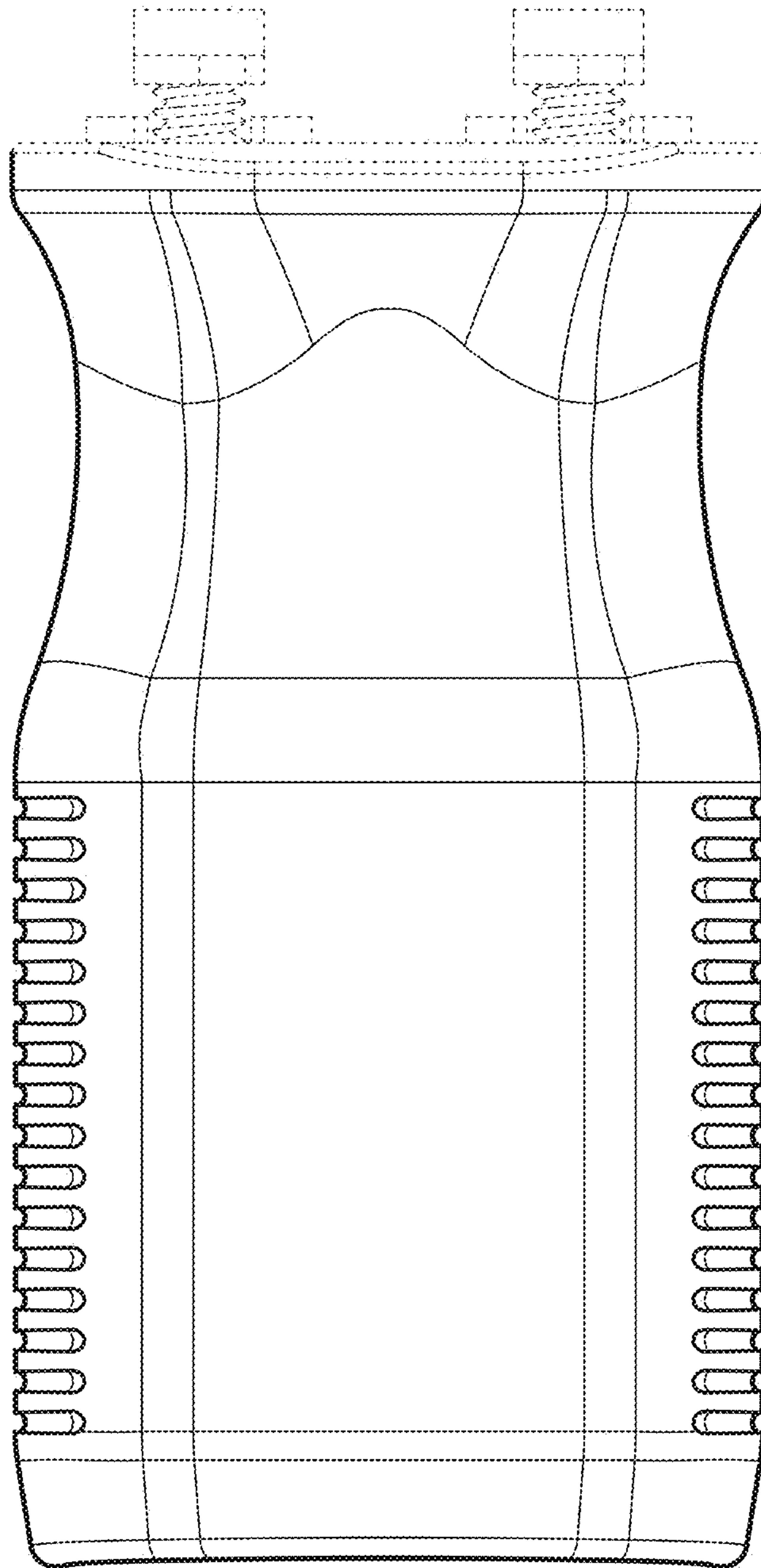
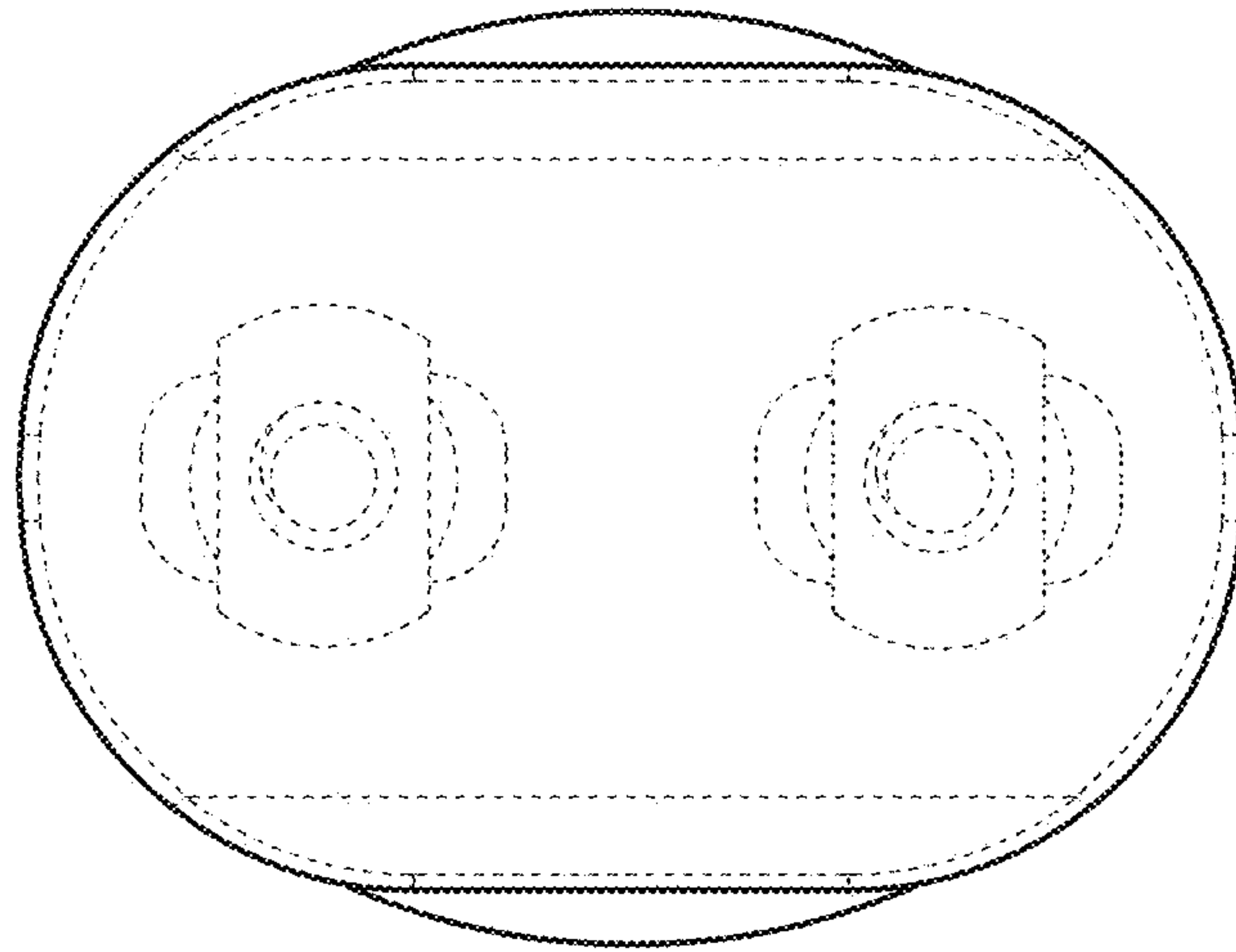


FIG. 12

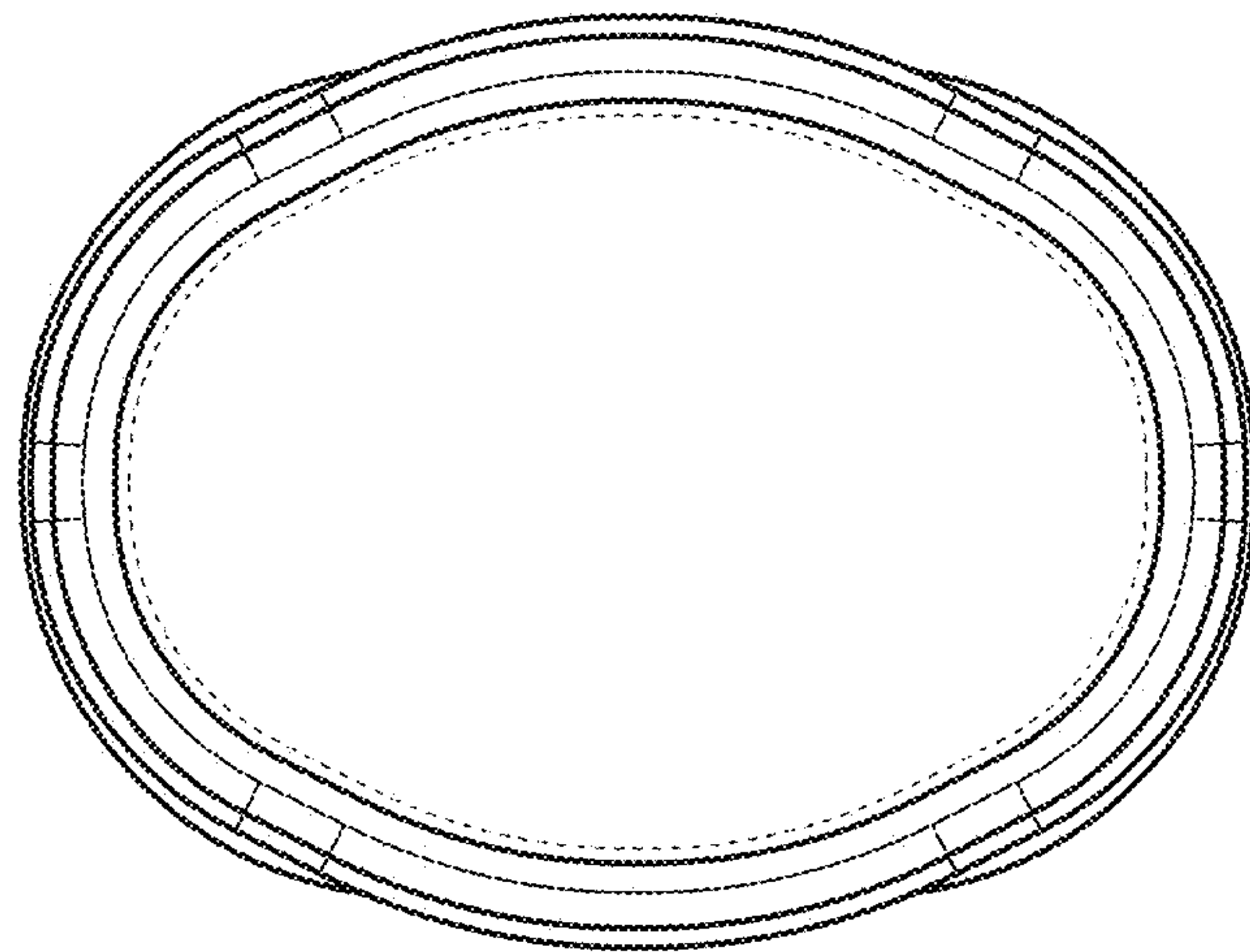




*FIG. 13*

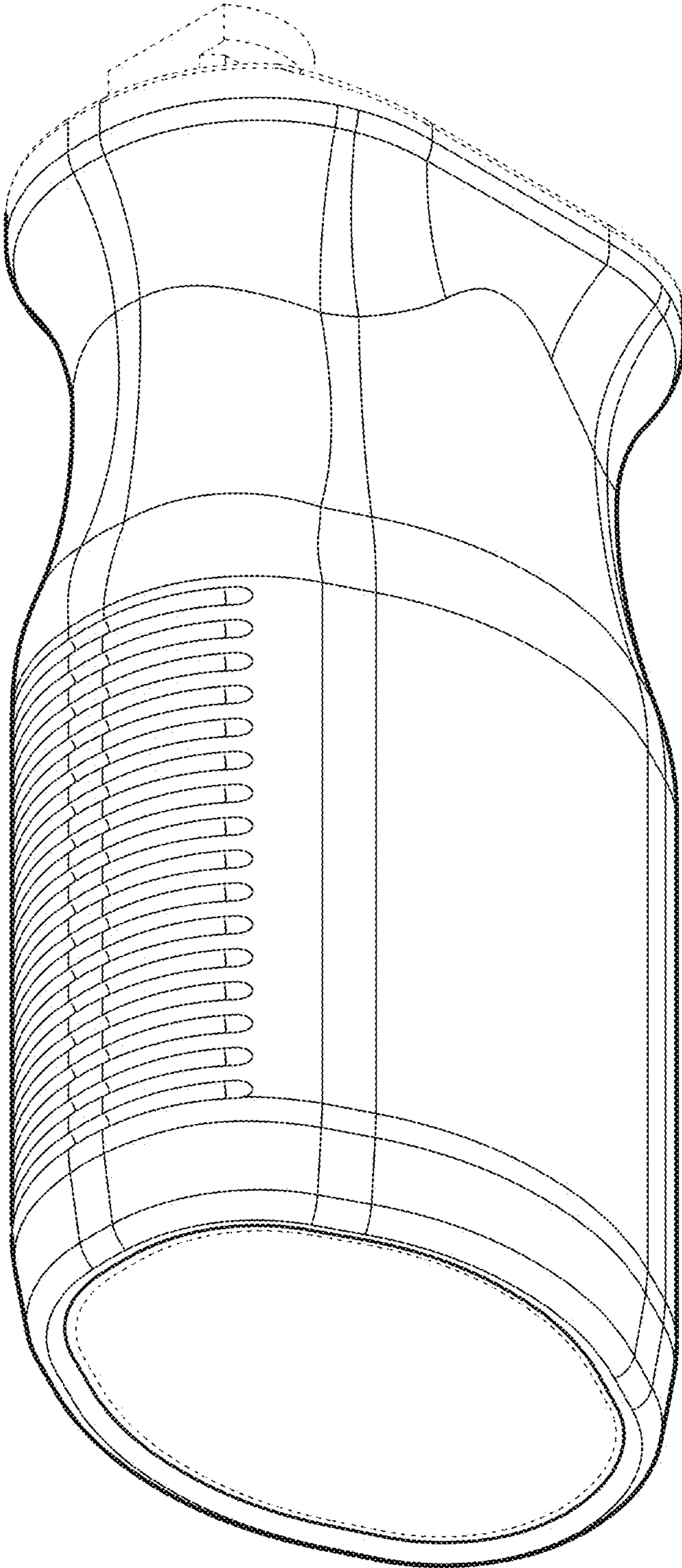


*FIG. 14*



*FIG. 15*





*FIG. 16*