

US00D745625S

(12) **United States Design Patent**
Acarreta et al.

(10) **Patent No.:** **US D745,625 S**
(45) **Date of Patent:** **** Dec. 15, 2015**

(54) **AMMUNITION RESERVE INDICATOR**

(56)

References Cited

U.S. PATENT DOCUMENTS

(71) Applicant: **Rade Tecnologías, S.L.**, Saragossa (ES)

7,587,852 B1 * 9/2009 Harms F41C 23/14
42/71.02

(72) Inventors: **Raúl Delgado Acarreta**, Saragossa
(ES); **Daniel Osuna Sanz**, Saragossa
(ES)

7,694,449 B1 * 4/2010 Pontillo, II F41A 3/26
42/71.02

8,468,734 B2 * 6/2013 Meller F41A 3/72
42/71.02

(73) Assignee: **Rade Tecnologias, S.L.**, Zaragoza (ES)

D697,163 S * 1/2014 Bietsch D22/108
D713,486 S 9/2014 Acarreta

2010/0212203 A1 * 8/2010 McGarry F41C 23/14
42/71.02

(**) Term: **14 Years**

2012/0055060 A1 * 3/2012 Hines F41C 23/10
42/71.01

(21) Appl. No.: **29/496,511**

* cited by examiner

(22) Filed: **Jul. 14, 2014**

Primary Examiner — Michael A Pratt

(74) *Attorney, Agent, or Firm* — Hayes Soloway PC

(30) **Foreign Application Priority Data**

(57) **CLAIM**

The ornamental design for a ammunition reserve indicator, as shown and described.

Jan. 14, 2014 (EM) 002384404

DESCRIPTION

(51) **LOC (10) Cl.** **22-01**

FIG. 1 is a back plan view of the ammunition reserve indicator in accordance with our invention;

(52) **U.S. Cl.**

FIG. 2 is a top plan view thereof;

USPC **D22/108**

FIG. 3 is a right side plan view thereof;

(58) **Field of Classification Search**

USPC D22/108; 362/109–114; 42/90, 94, 114,
42/117, 124–127, 131, 146

FIG. 4 is a bottom plan view thereof;

CPC F41C 23/10; F41C 23/14; F41C 23/16;

FIG. 5 is a front plan view thereof;

F41C 23/18

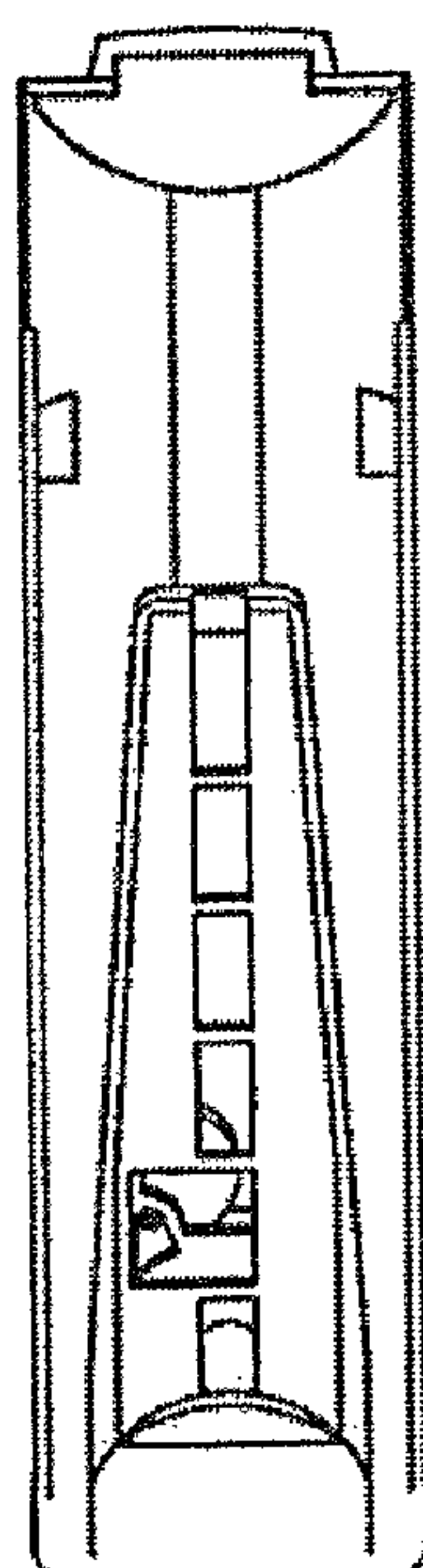
FIG. 6 is a left side plan view thereof; and,

See application file for complete search history.

FIG. 7 is a perspective view of the ammunition reserve indicator in an assembly.

The dashed lines are included for the purpose of illustrating structure and form no part of the claimed design.

1 Claim, 4 Drawing Sheets



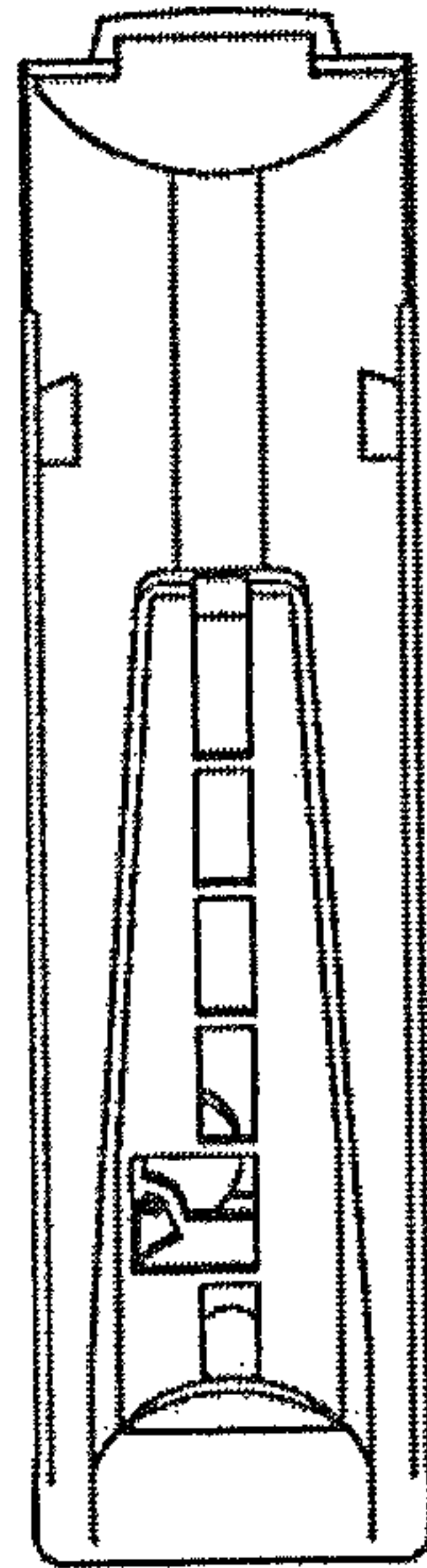


FIG. 1

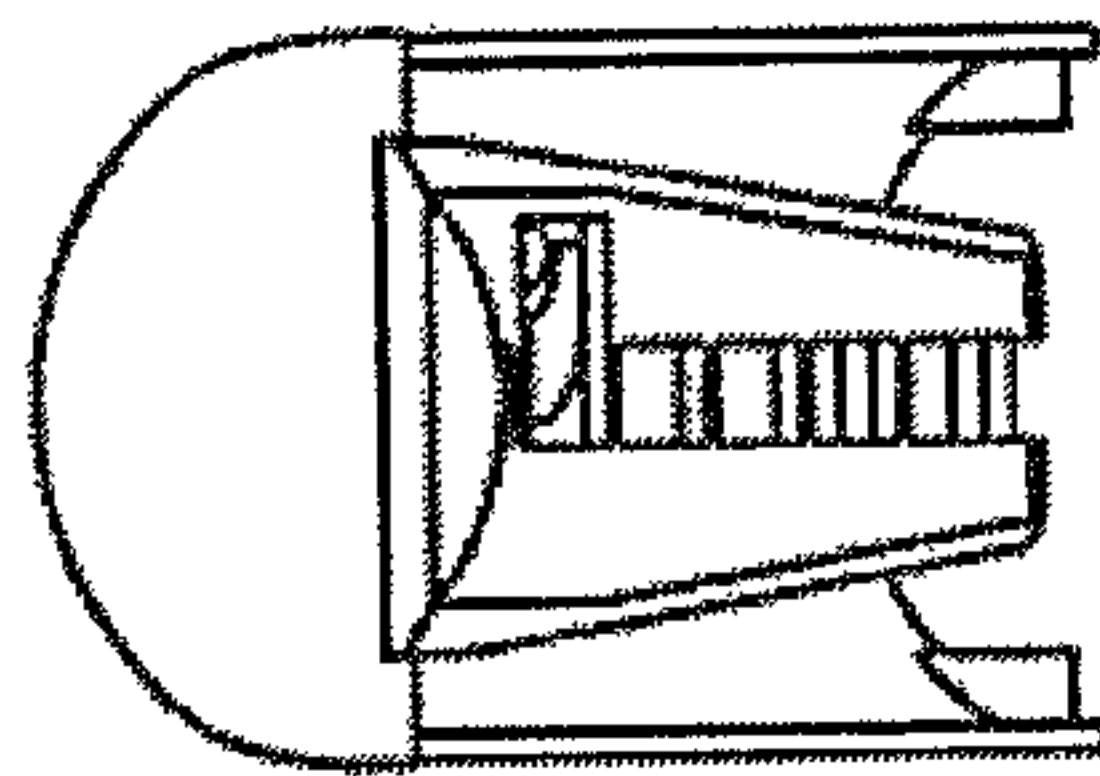


FIG. 2

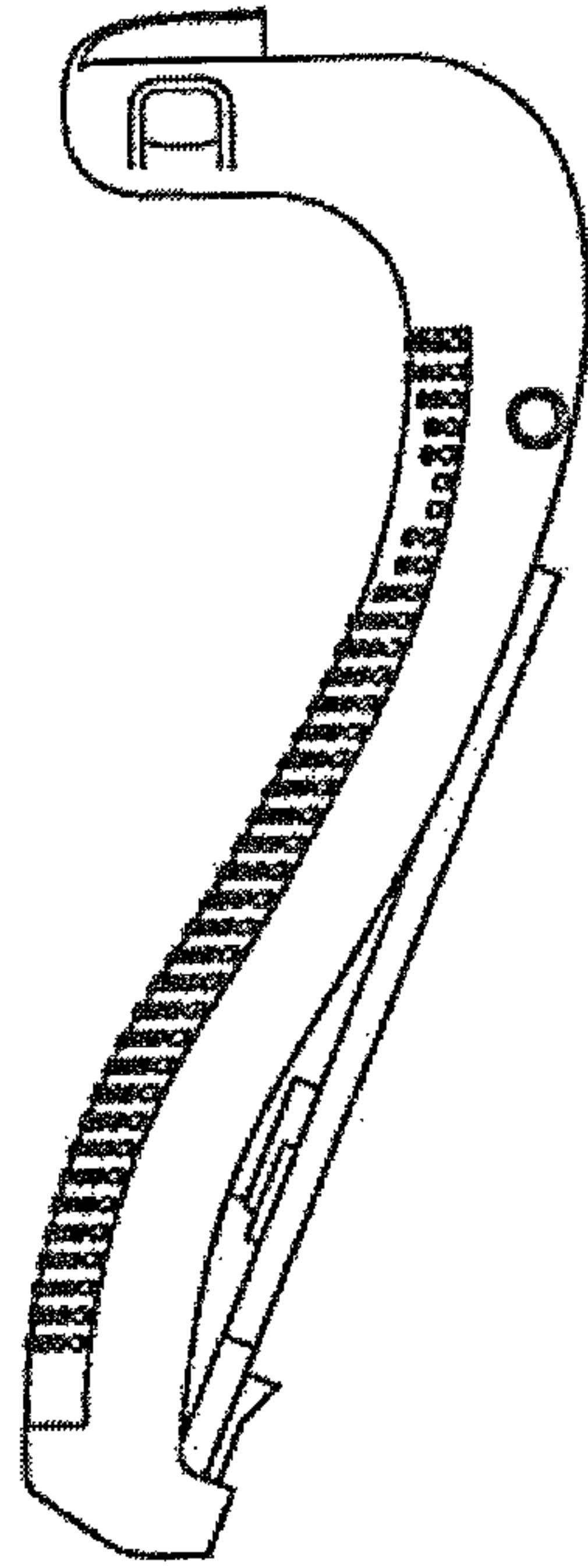


FIG. 3

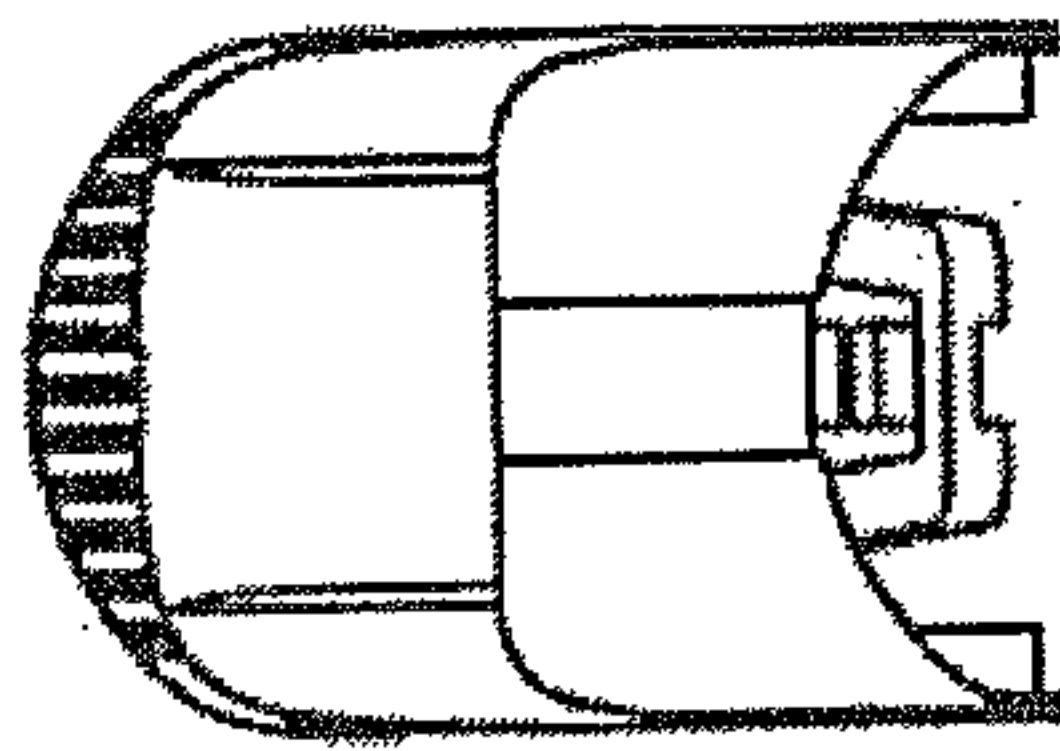


FIG. 4

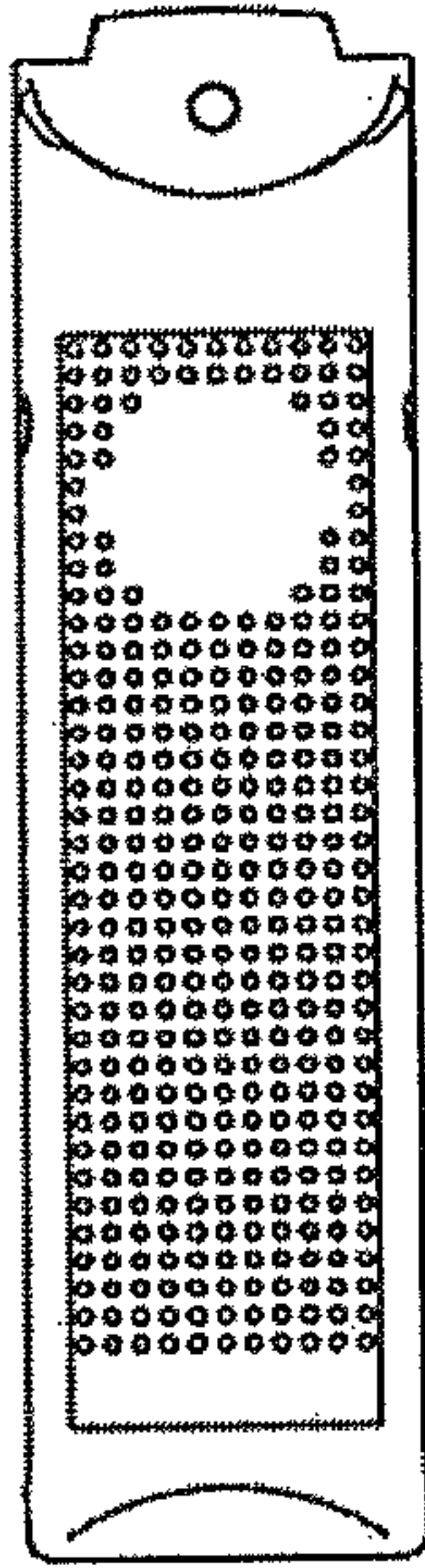


FIG. 5

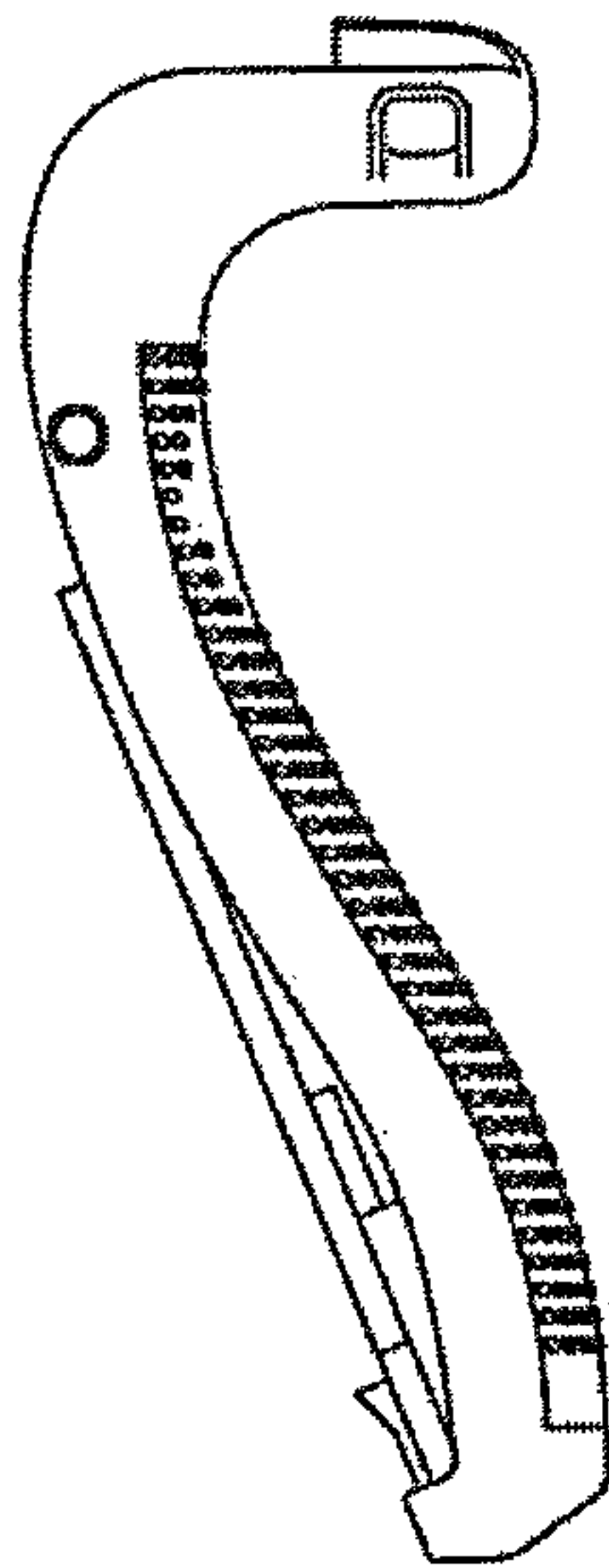


FIG. 6

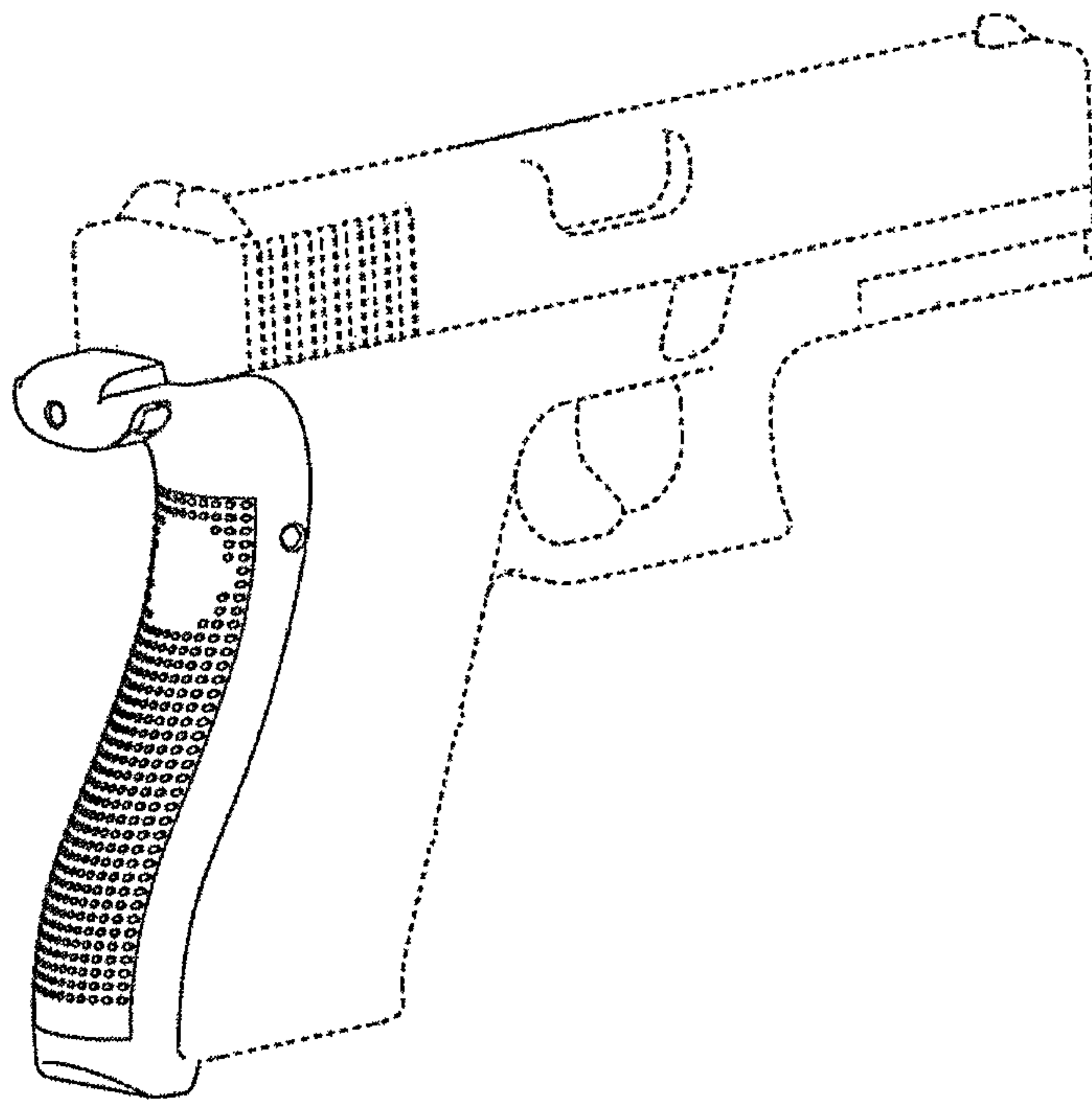


FIG. 7

UNITED STATES PATENT AND TRADEMARK OFFICE
CERTIFICATE OF CORRECTION

PATENT NO. : D745,625 S
APPLICATION NO. : 29/496511
DATED : December 15, 2015
INVENTOR(S) : Acarreta et al.

Page 1 of 1

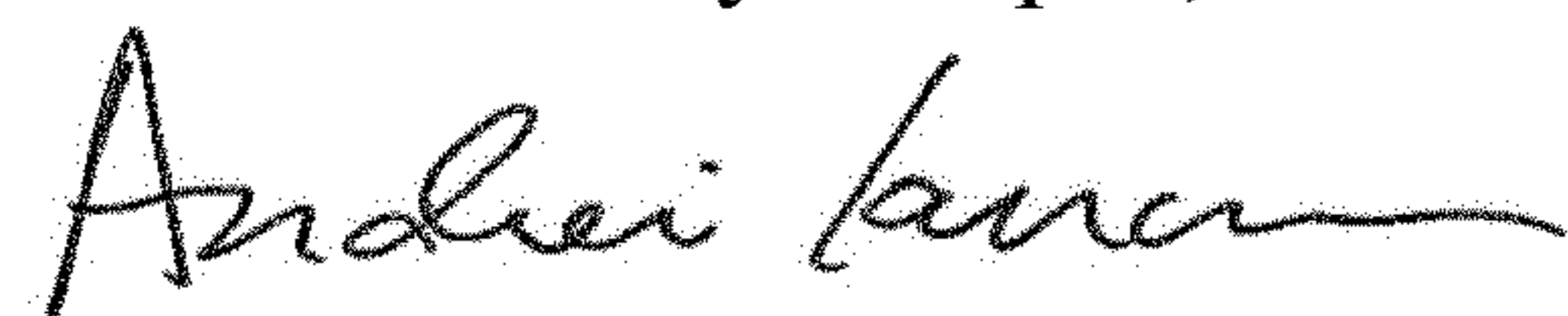
It is certified that error appears in the above-identified patent and that said Letters Patent is hereby corrected as shown below:

On the Title Page

Item (71), "Applicant: Rade Tecnologías, S.L., Saragossa (ES)"
Should be --Applicant: Rade Tecnologías, S.L., Zaragoza (ES)--

Item (72), "Inventors: Raúl Delgado Acarreta, Saragossa (ES); Daniel Osuna Sanz, Saragossa (ES)"
Should be --Inventors: Raúl Delgado Acarreta, Zaragoza (ES); Daniel Osuna Sanz, Zaragoza (ES)--

Signed and Sealed this
Thirtieth Day of April, 2019



Andrei Iancu
Director of the United States Patent and Trademark Office