



US00D745623S

(12) **United States Design Patent**
Flores

(10) **Patent No.:** **US D745,623 S**

(45) **Date of Patent:** **** Dec. 15, 2015**

(54) **FORWARD GRIP FOR A RIFLE BARREL**

D725,218 S * 3/2015 Iosilevsky D22/108
D728,054 S * 4/2015 Webber D22/108
D734,418 S * 7/2015 Hines D22/108

(71) Applicant: **Jesse Flores**, Madera, CA (US)

* cited by examiner

(72) Inventor: **Jesse Flores**, Madera, CA (US)

Primary Examiner — Michael A Pratt

(73) Assignee: **Nightstrike, LLC**, Madera, CA (US)

(74) *Attorney, Agent, or Firm* — Richard A. Ryan

(**) Term: **14 Years**

(57) **CLAIM**

(21) Appl. No.: **29/491,270**

The ornamental design for a forward grip for rifle barrel, as shown and described.

(22) Filed: **May 19, 2014**

DESCRIPTION

(51) **LOC (10) Cl.** **22-01**

(52) **U.S. Cl.**
USPC **D22/108**

(58) **Field of Classification Search**
USPC D22/108; 362/109–114; 42/90, 94, 114,
42/117, 124–127, 131, 146
CPC F41C 23/10; F41C 23/14; F41C 23/16;
F41C 23/18
See application file for complete search history.

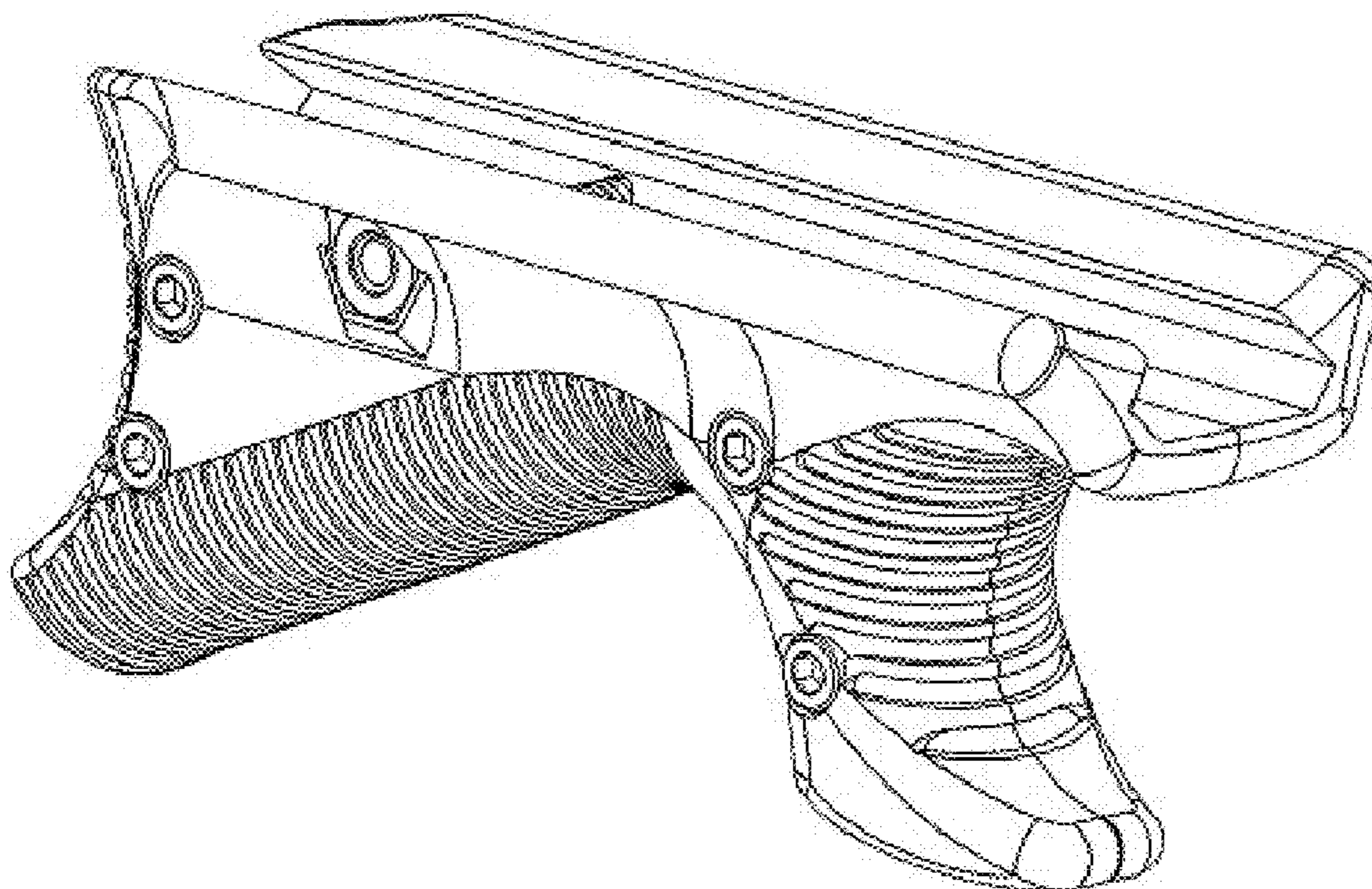
FIG. 1 is a front perspective view of the forward grip for a rifle barrel of the present invention showing the Applicant's new design;
FIG. 2 is a back perspective view of the forward grip for a rifle barrel of FIG. 1;
FIG. 3 is a left side elevation view of the forward grip for a rifle barrel of FIG. 1;
FIG. 4 is a right side elevation view of the forward grip for a rifle barrel of FIG. 1;
FIG. 5 is a top plan view of the forward grip for a rifle barrel of FIG. 1;
FIG. 6 is a bottom plan view of the forward grip for a rifle barrel of FIG. 1;
FIG. 7 is a front elevation view of the forward grip for a rifle barrel of FIG. 1; and,
FIG. 8 is a back elevation view of the forward grip for a rifle barrel of FIG. 1.

(56) **References Cited**

U.S. PATENT DOCUMENTS

D642,651 S * 8/2011 Faifer D22/108
D643,497 S * 8/2011 Fitzpatrick et al. D22/108
D665,043 S * 8/2012 Fitzpatrick et al. D22/108
D691,236 S * 10/2013 Fitzpatrick et al. D22/108
D692,515 S * 10/2013 Galloway et al. D22/108
D693,424 S * 11/2013 Wristen D22/108
D698,405 S * 1/2014 Kline D22/108
D698,885 S * 2/2014 Faifer D22/108

1 Claim, 4 Drawing Sheets



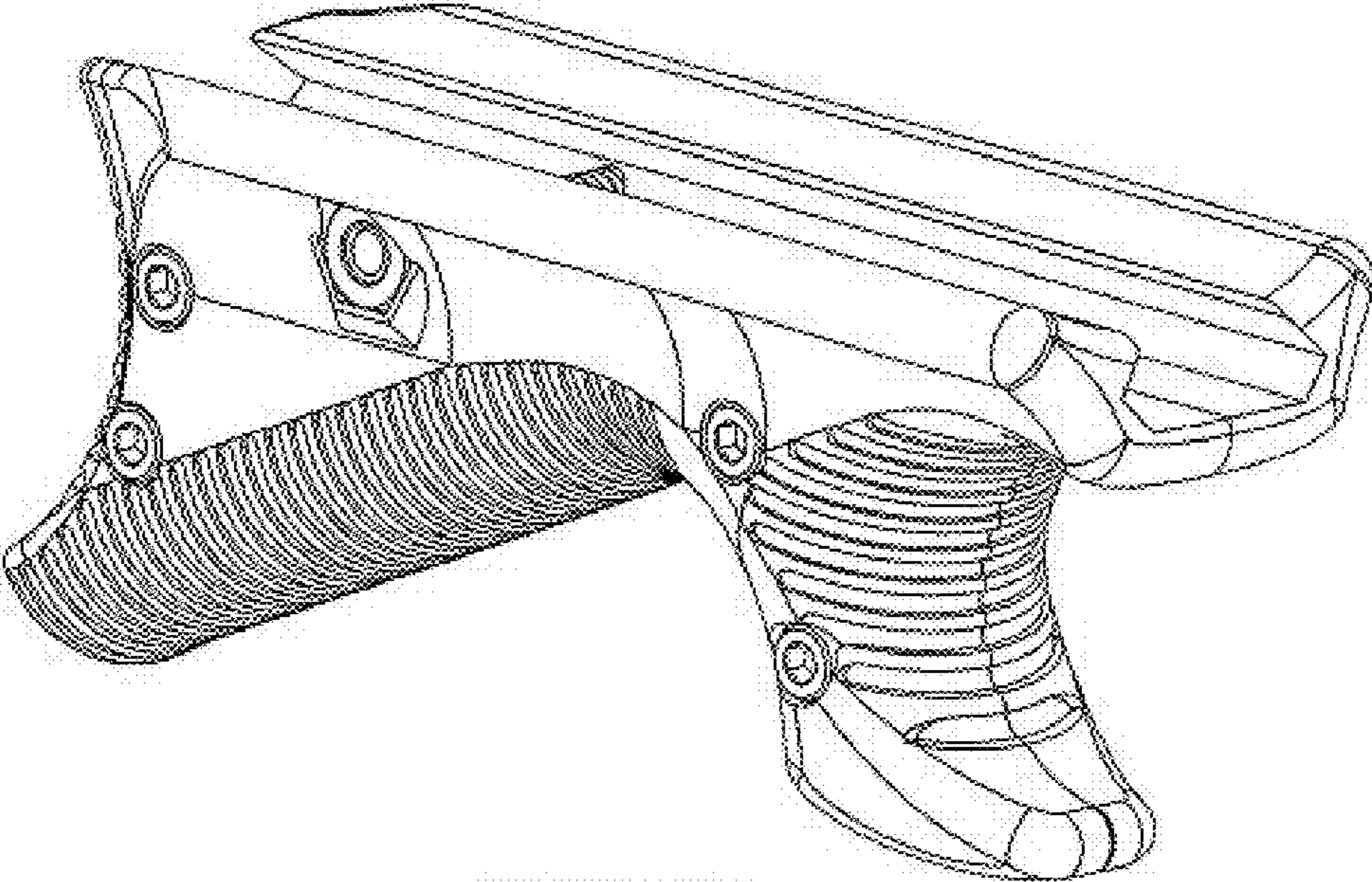


FIG. 1

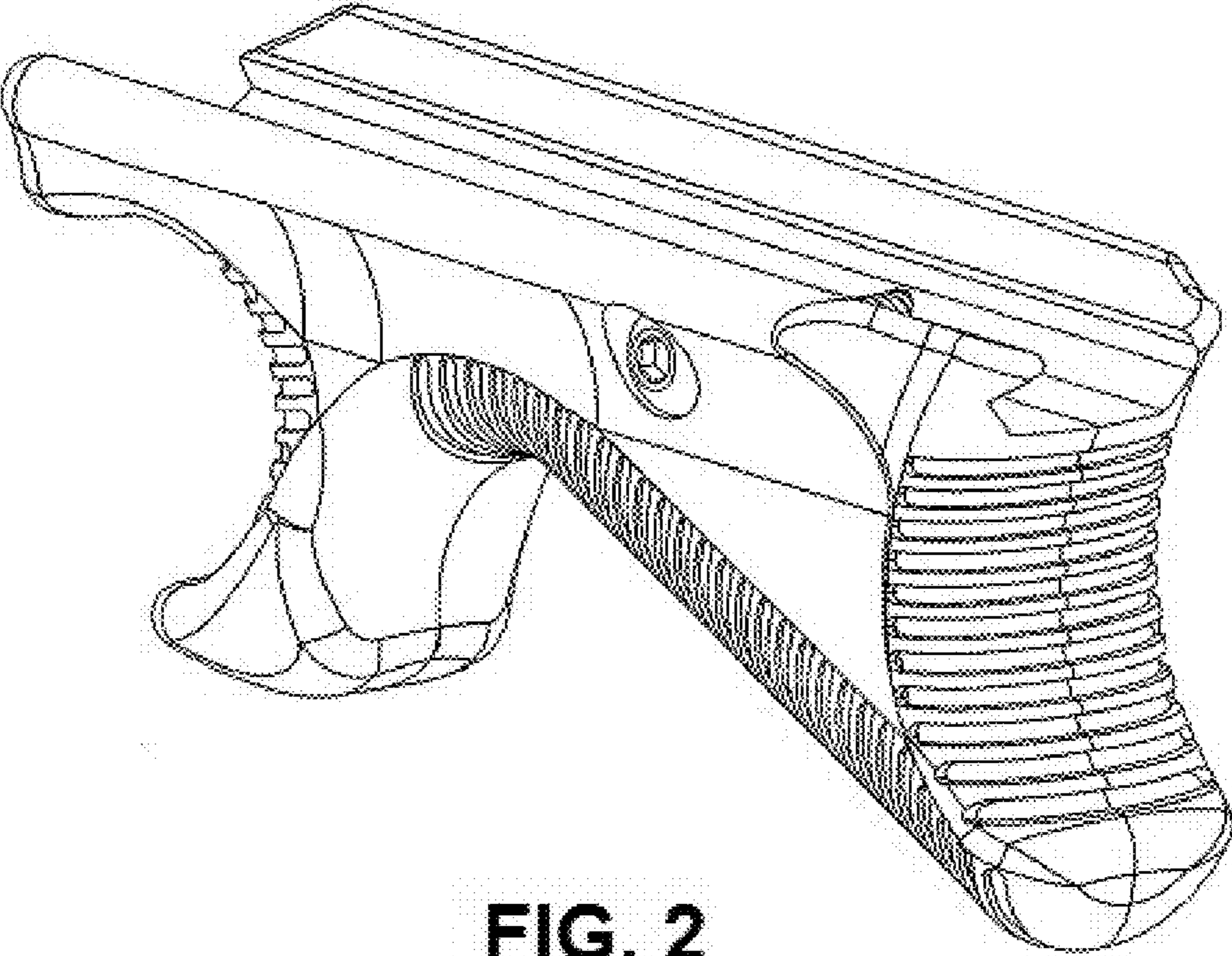


FIG. 2

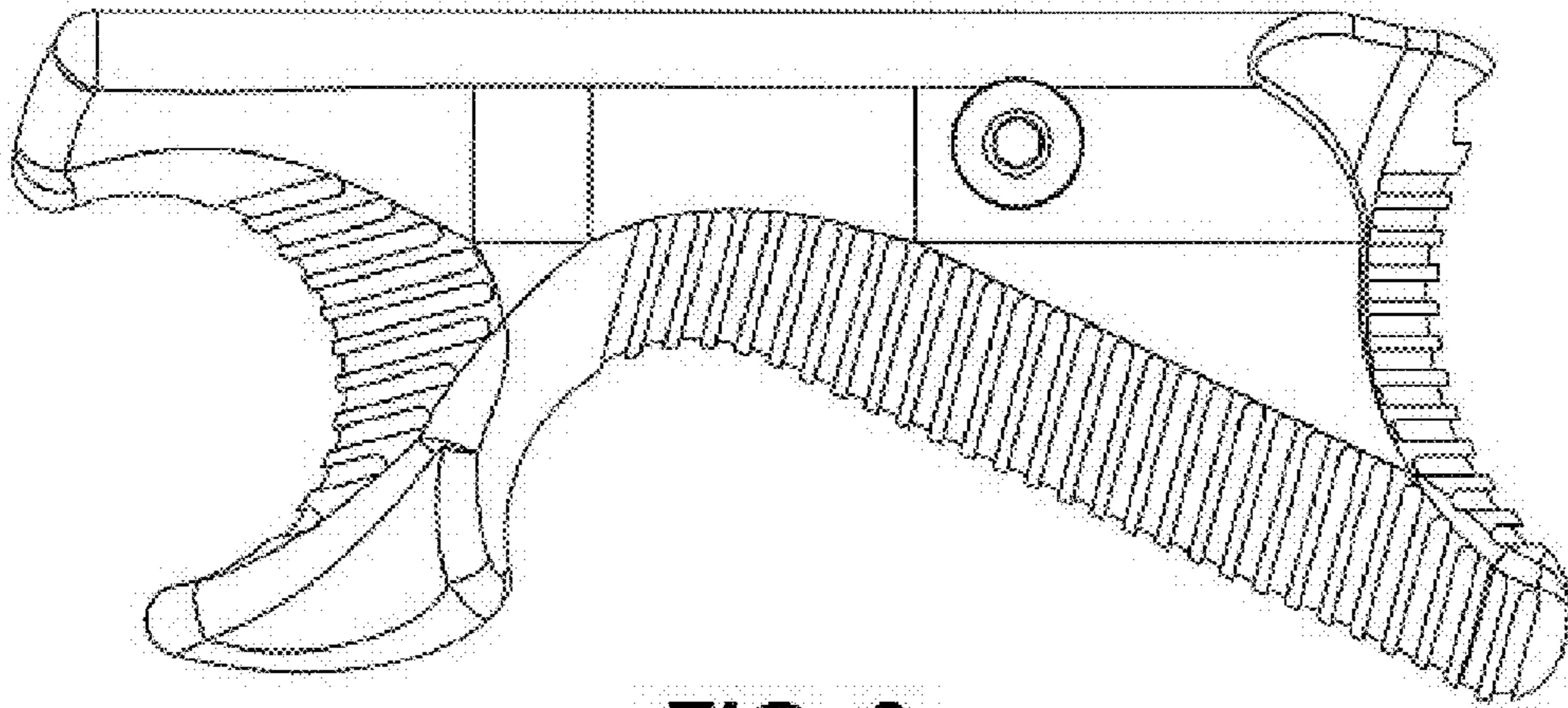


FIG. 3

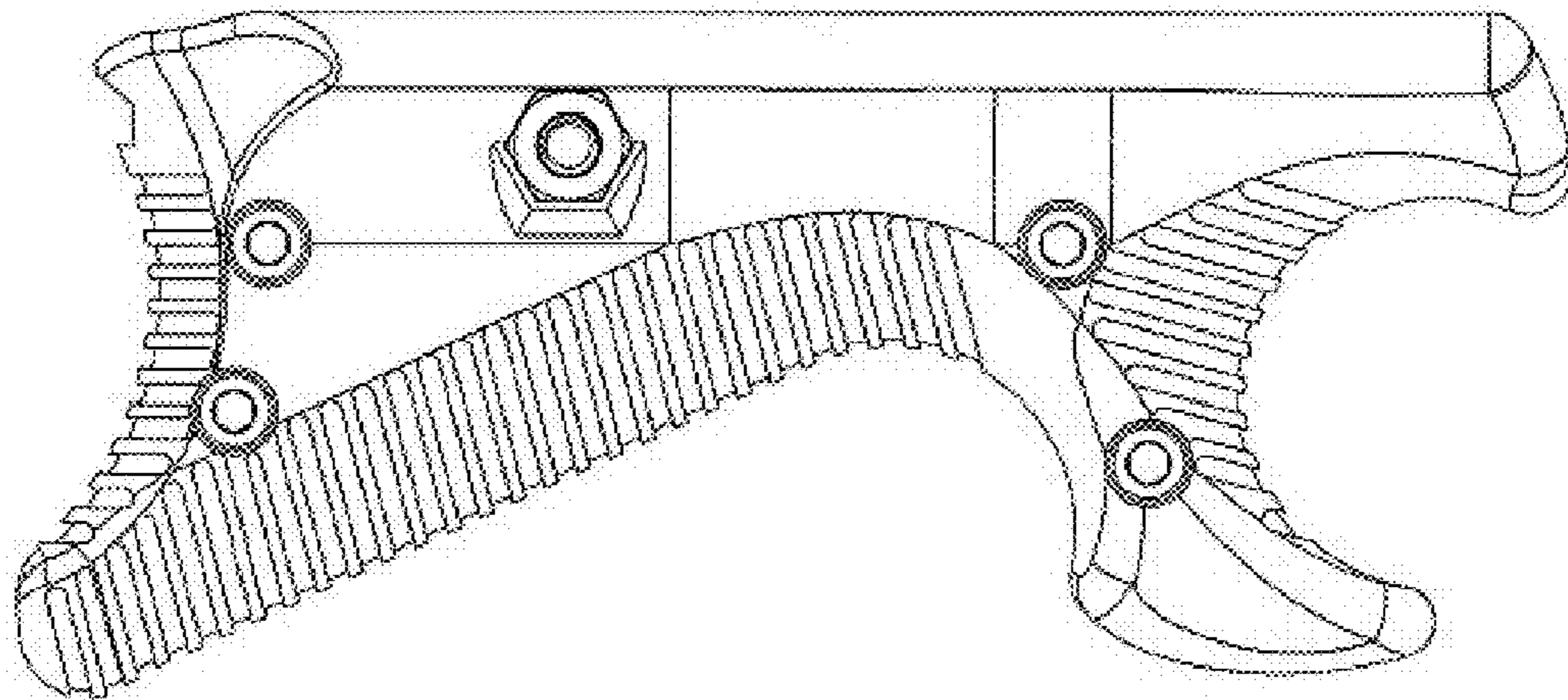


FIG. 4

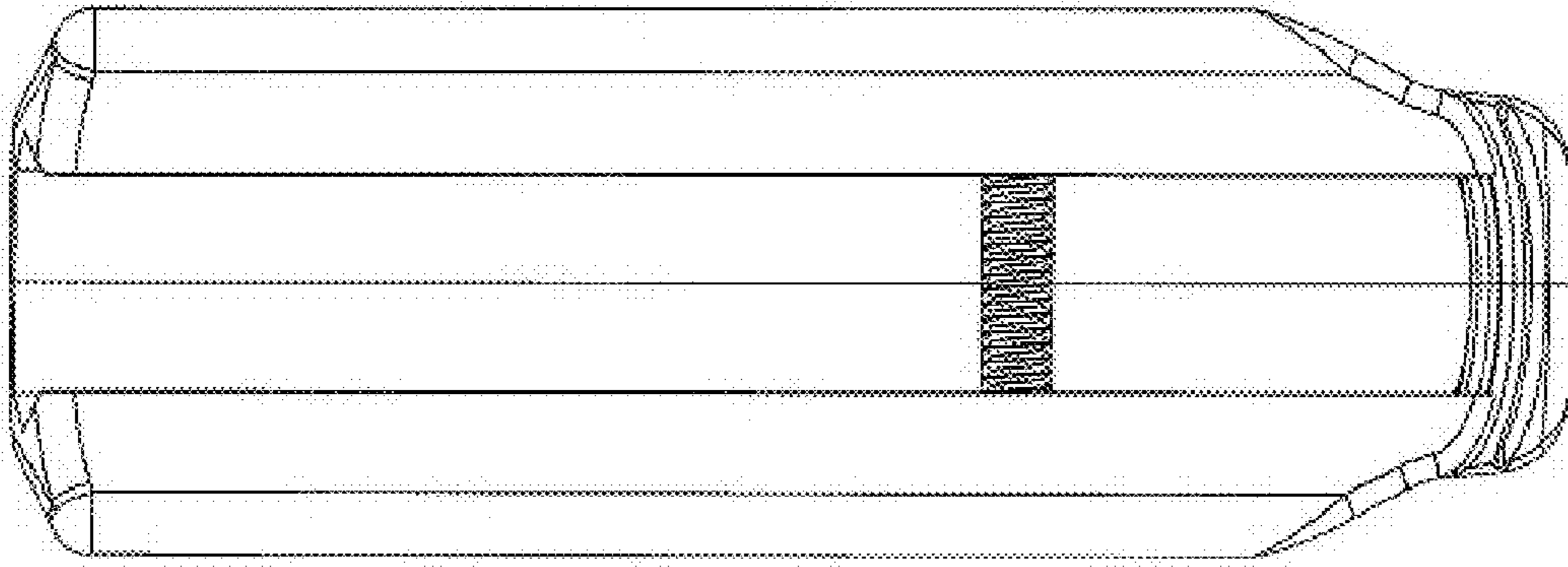


FIG. 5

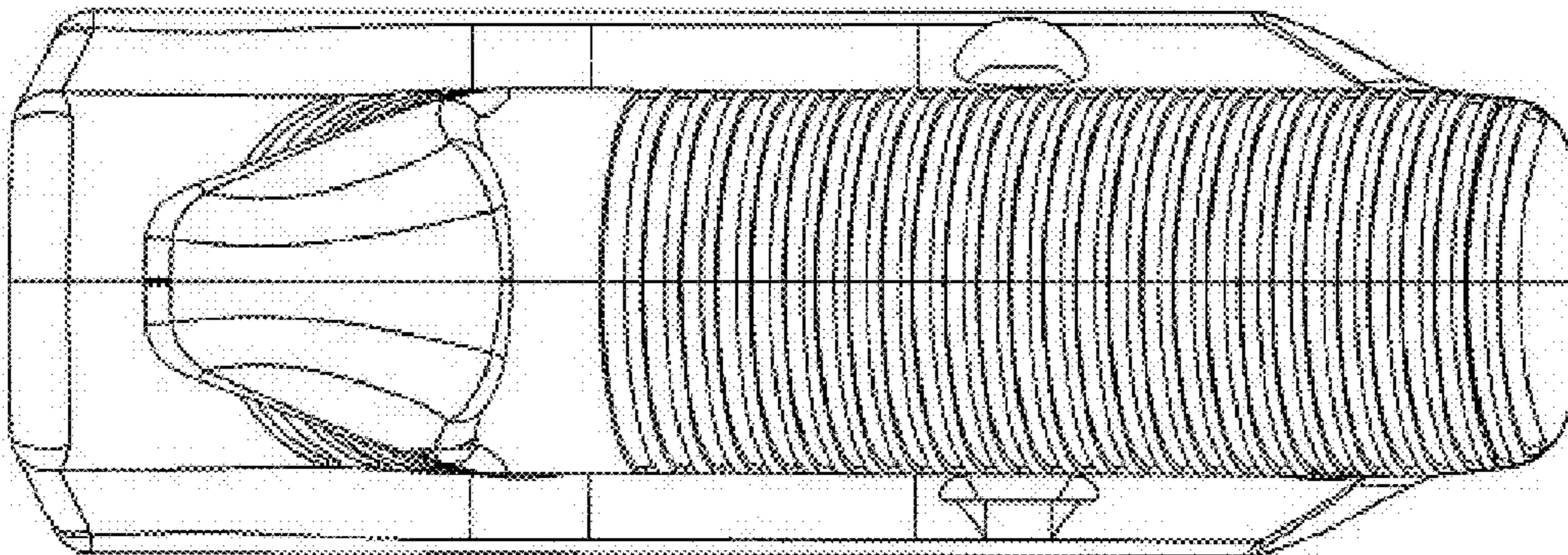


FIG. 6

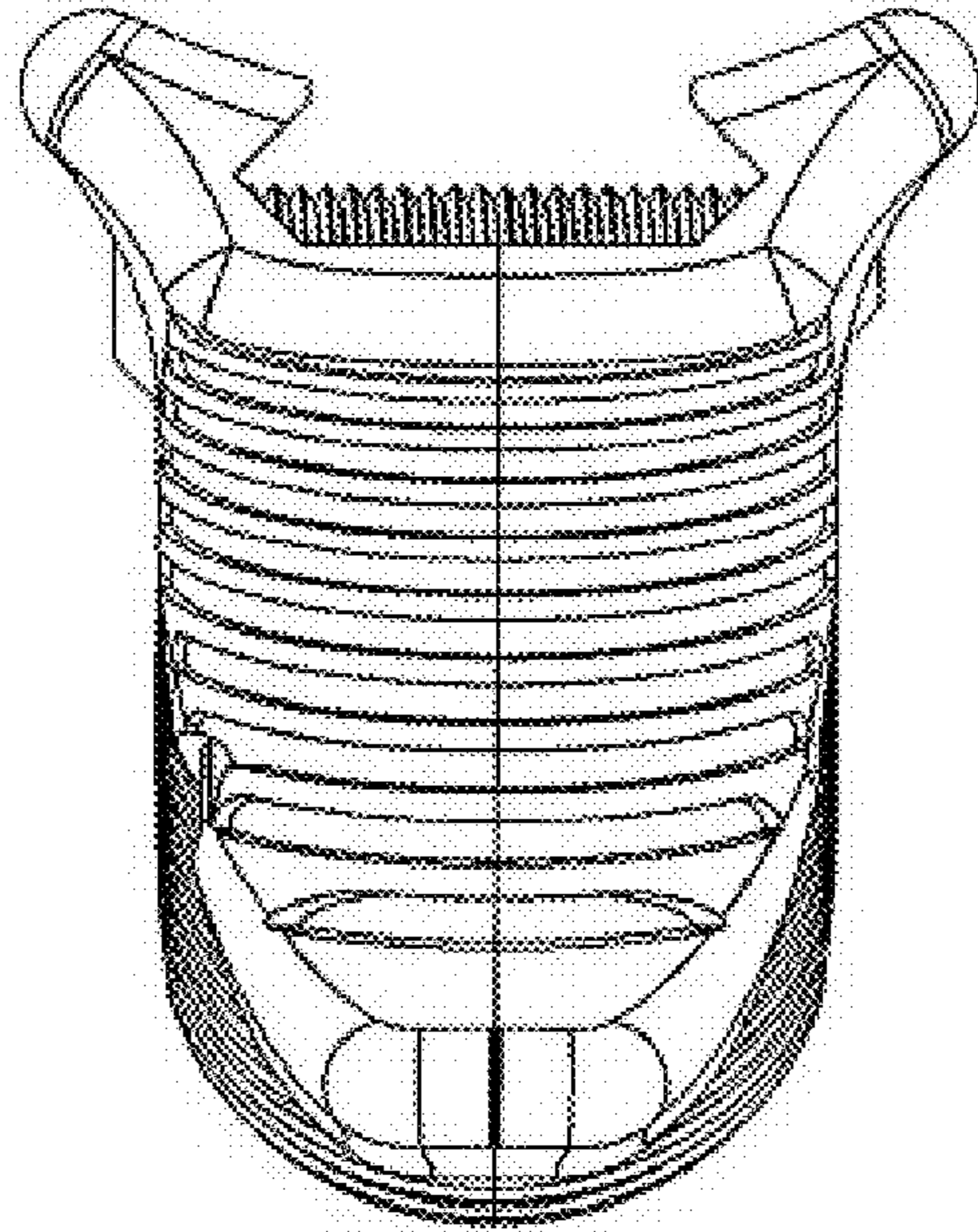


FIG. 7

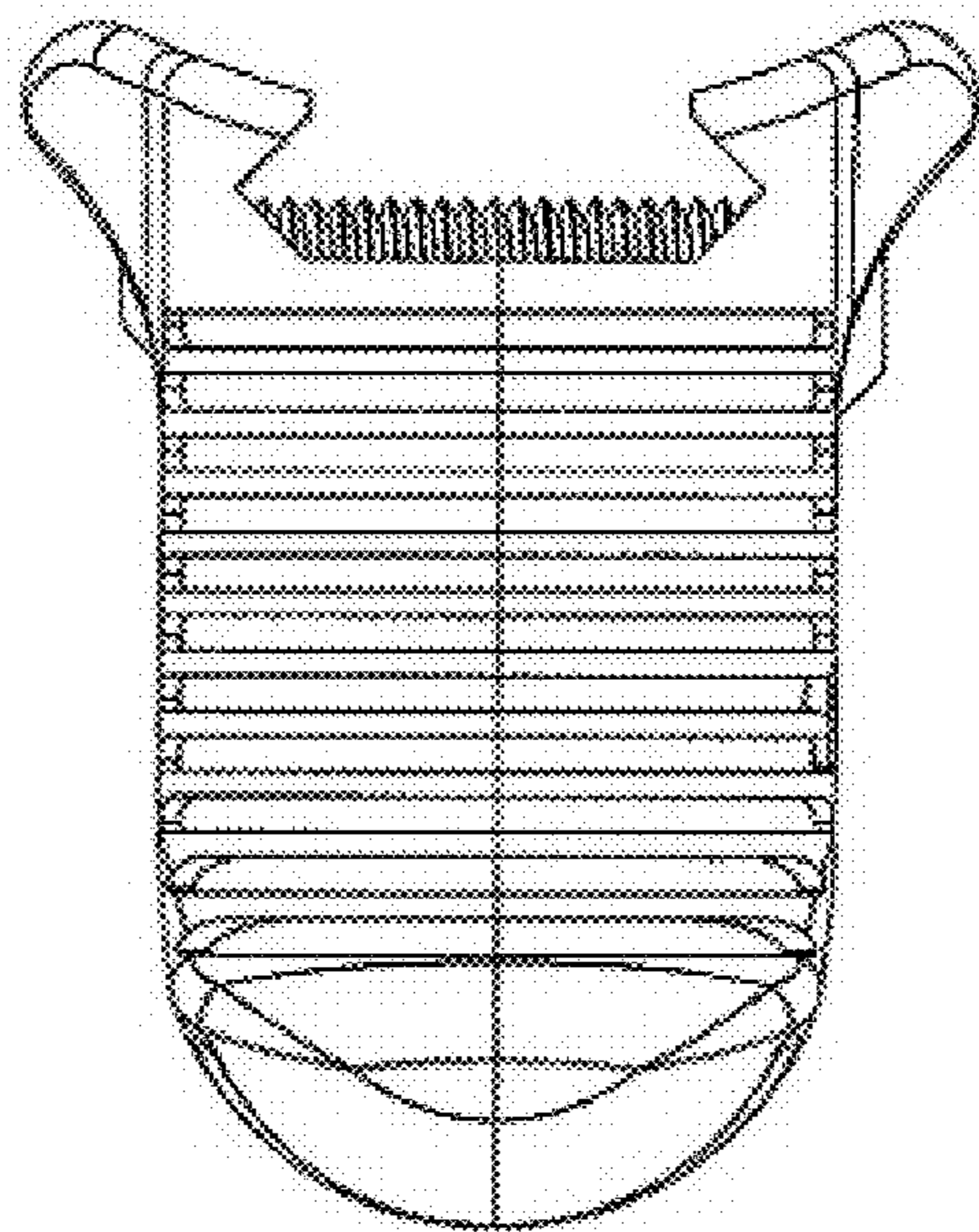


FIG. 8