



US00D745619S

(12) **United States Design Patent**
Pedersen

(10) **Patent No.:** **US D745,619 S**

(45) **Date of Patent:** **** Dec. 15, 2015**

- (54) **EXPANDABLE BROADHEAD HAVING A BODY WITH AN INTEGRAL CUTTING TIP**
- (71) Applicant: **Out RAGE, LLC**, Cartersville, GA (US)
- (72) Inventor: **William E. Pedersen**, Duluth, MN (US)
- (73) Assignee: **Out RAGE, LLC**, Cartersville, GA (US)
- (**) Term: **14 Years**
- (21) Appl. No.: **29/495,139**
- (22) Filed: **Jun. 27, 2014**

- 6,626,776 B2 9/2003 Barrie et al.
- 6,887,172 B2 5/2005 Arasmith
- 6,910,979 B2 6/2005 Barrie et al.
- 7,422,533 B1 9/2008 Johnson
- D583,897 S 12/2008 Ward
- 7,771,297 B2 8/2010 Kuhn
- 7,951,023 B2 5/2011 Perkins, Jr.

(Continued)

OTHER PUBLICATIONS

PCT International Search Report (PCT Article 18 and Rules 43 and 44) for PCT/US2013/076119, Mar. 11, 2014.

(Continued)

Related U.S. Application Data

- (62) Division of application No. 29/441,330, filed on Jan. 3, 2013, now Pat. No. Des. 711,489.
- (51) **LOC (10) Cl.** **22-01**
- (52) **U.S. Cl.**
USPC **D22/107**
- (58) **Field of Classification Search**
USPC D22/107, 115; 473/582, 578
CPC F42B 6/02; F42B 6/04; F42B 6/06
See application file for complete search history.

Primary Examiner — Michael A Pratt

(74) *Attorney, Agent, or Firm* — Covington & Burling LLP; Gregory S. Discher; Grant D. Johnson

(57) **CLAIM**

The ornamental design for an expandable broadhead having a body with an integral cutting tip, as shown and described.

DESCRIPTION

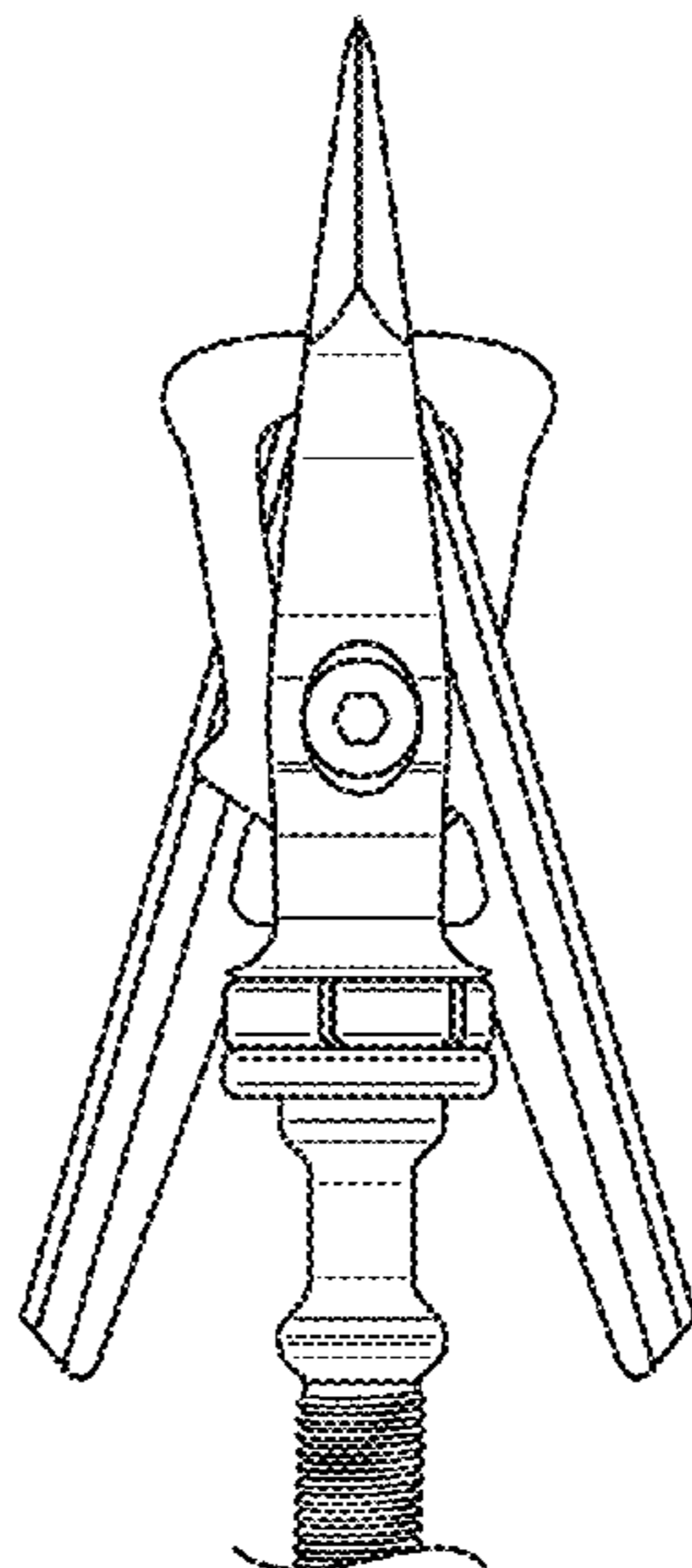
FIG. 1 is a front view of a two-bladed expandable broadhead according to the present invention;
 FIG. 2 is a first perspective view of the body shown in FIG. 1;
 FIG. 3 is a second perspective view of the body shown in FIG. 1;
 FIG. 4 is a side view of the body shown in FIGS. 2 and 3;
 FIG. 5 is a partial, top perspective view of the tip of the body, and a portion of the blades, as shown in FIG. 1;
 FIG. 6 is a close-up front view of a portion of the tip of the body shown in FIGS. 1-5; and,
 FIG. 7 is a close-up side view of the tip of the body, and a portion of the blades, of FIG. 5.

(56) **References Cited**

U.S. PATENT DOCUMENTS

- 3,824,026 A 7/1974 Gaskins
- 4,212,463 A 7/1980 Repinski et al.
- 6,077,179 A 6/2000 Liechty, II
- 6,258,000 B1 7/2001 Liechty, II
- 6,290,903 B1 9/2001 Grace, Jr. et al.
- 6,306,053 B1 10/2001 Liechty, II
- 6,322,464 B1 11/2001 Sestak
- 6,517,454 B2 2/2003 Barrie et al.
- 6,540,628 B1 4/2003 Musacchia, Jr.
- 6,595,881 B1 7/2003 Grace, Jr. et al.

1 Claim, 3 Drawing Sheets



(56)

References Cited

U.S. PATENT DOCUMENTS

8,197,367 B2 6/2012 Pulkrabek et al.
 D663,004 S * 7/2012 Isringhausen D22/107
 8,210,971 B1 7/2012 Fulton
 D674,864 S * 1/2013 Ward D22/115
 8,545,349 B1 10/2013 Budris et al.
 D710,962 S * 8/2014 Pedersen D22/107
 2002/0055404 A1 5/2002 Liechty
 2002/0151393 A1 10/2002 Liechty
 2003/0004021 A1* 1/2003 Barrie et al. 473/583
 2007/0037640 A1 2/2007 Rager
 2007/0161438 A1 7/2007 Fulton
 2008/0254925 A1 10/2008 Odabachian et al.
 2010/0113196 A1 5/2010 Jones

2010/0173734 A1* 7/2010 Robbins 473/584
 2012/0165142 A1 6/2012 Grace
 2012/0178560 A1* 7/2012 Grace et al. 473/583
 2014/0187364 A1* 7/2014 Hand 473/583
 2014/0194234 A1* 7/2014 Miles 473/583

OTHER PUBLICATIONS

PCT Written Opinion of the International Searching Authority (PCT Rule 43*bis*.1) for PCT/US2013/076119, Mar. 11, 2014.
 PCT International Search Report (PCT Article 18 and Rules 43 and 44) for PCT/US2013/075782, Mar. 19, 2014.
 PCT Written Opinion of the International Searching Authority (PCT Rule 43*bis*.1) for PCT/US2013/075782, Mar. 19, 2014.

* cited by examiner

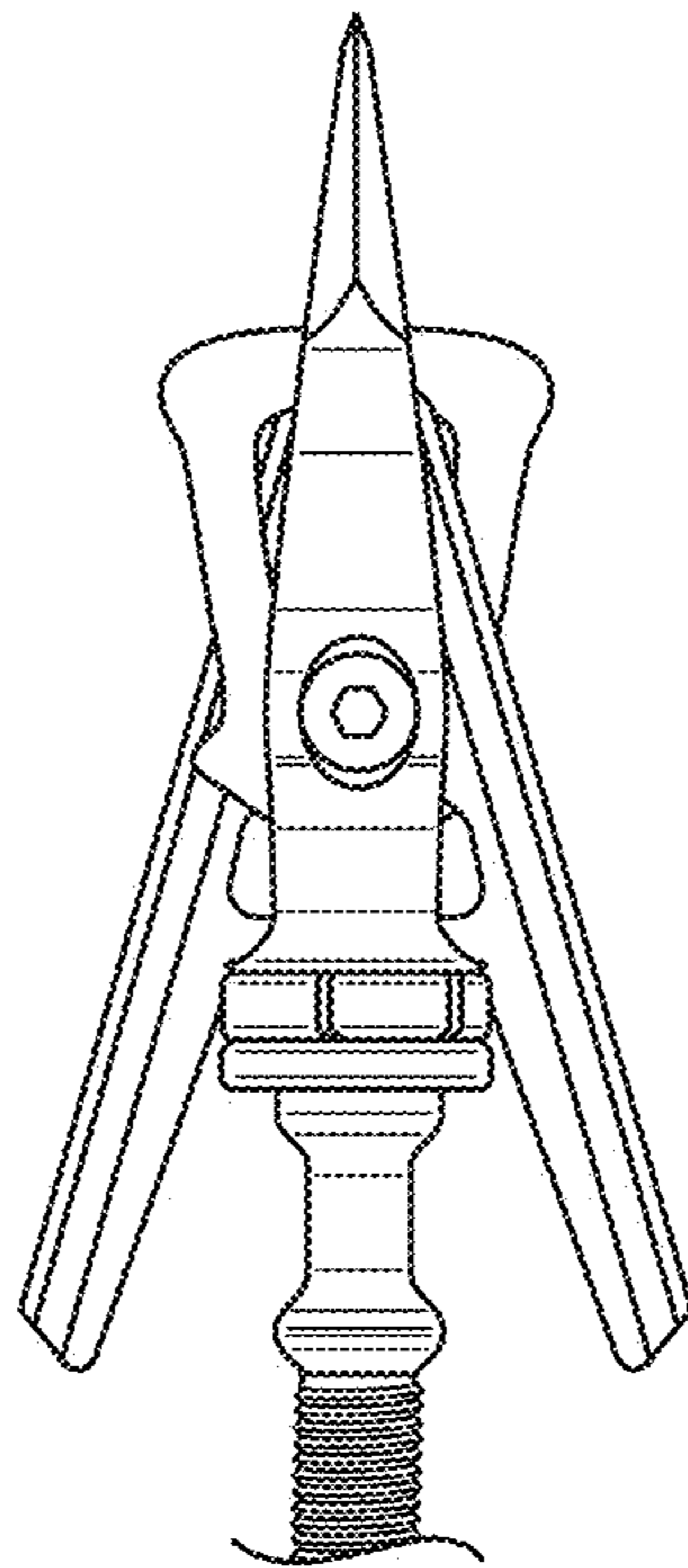


FIG. 1

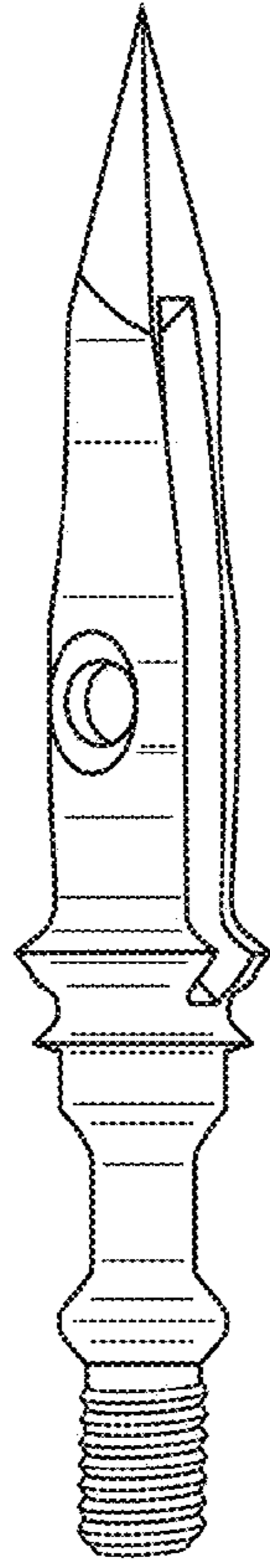


FIG. 2

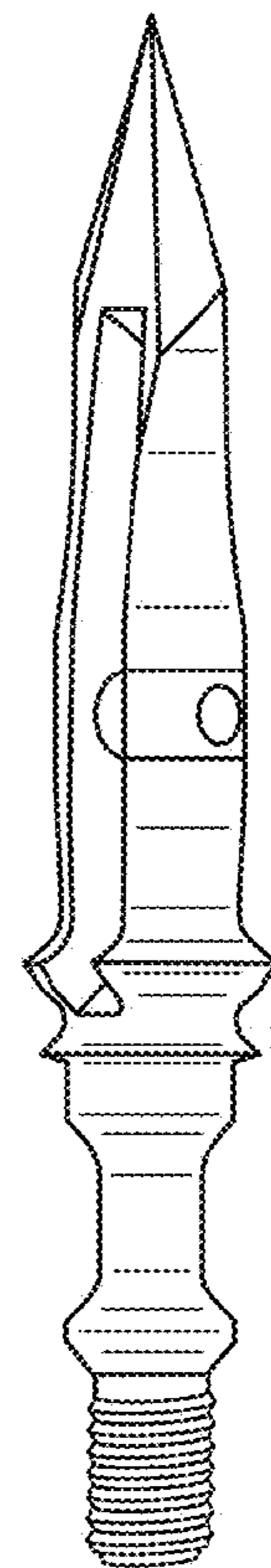


FIG. 3

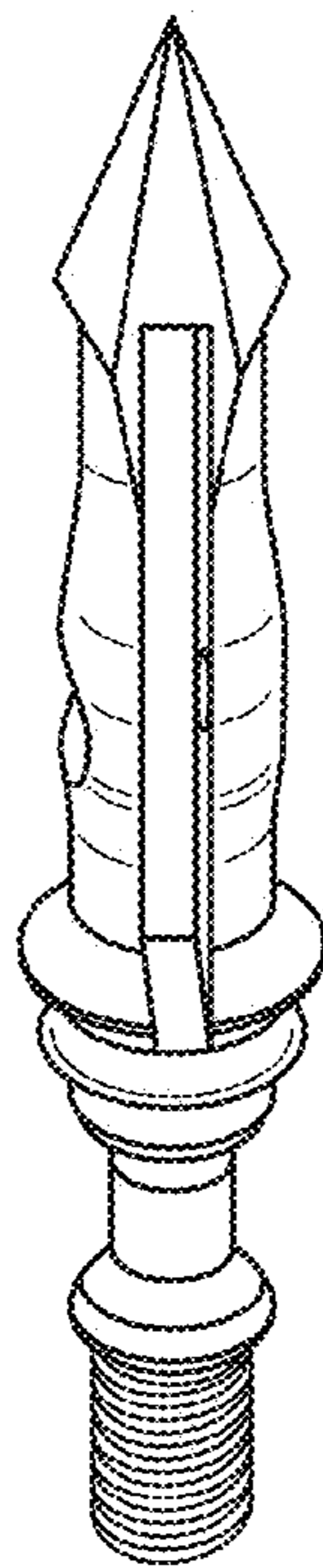


FIG. 4

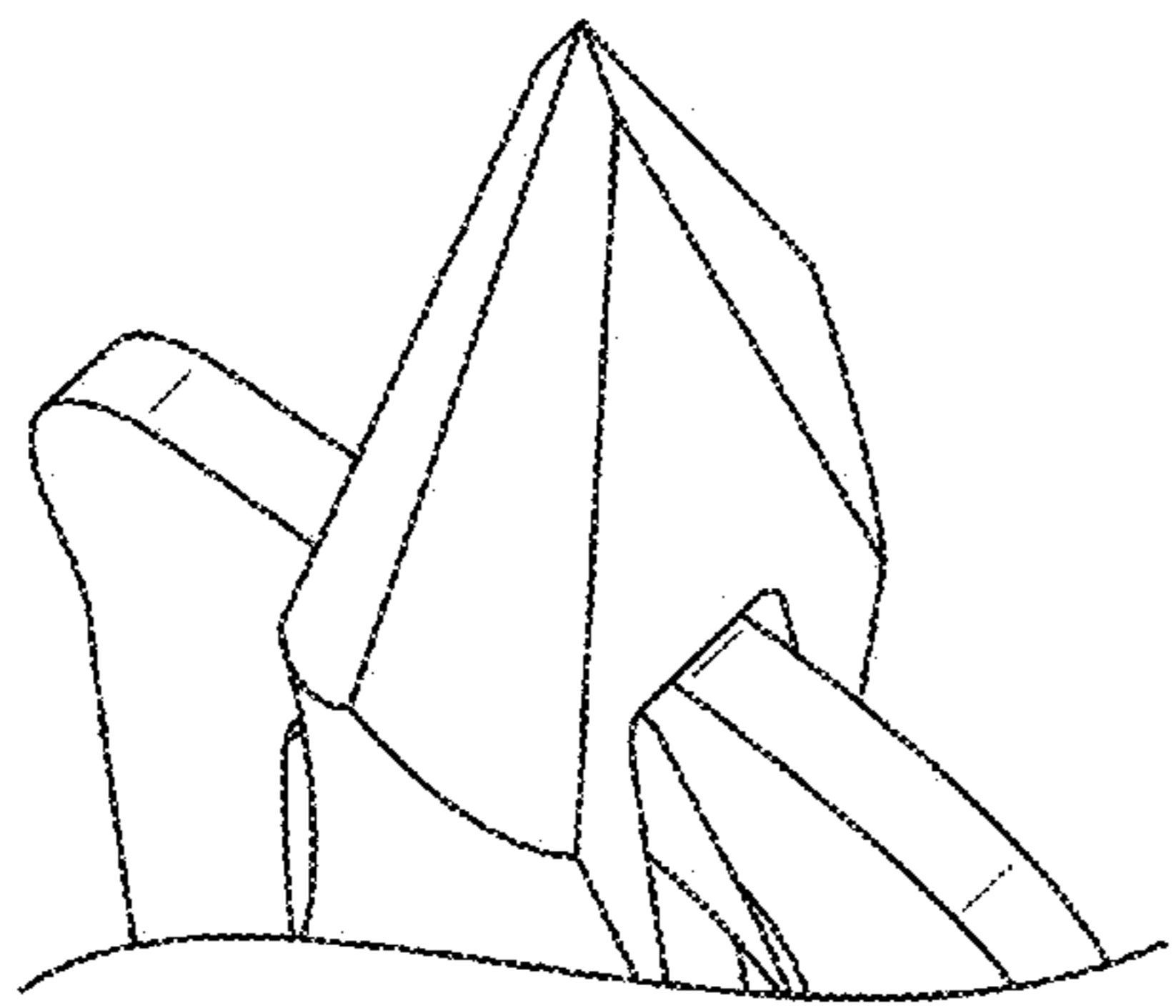


FIG. 5

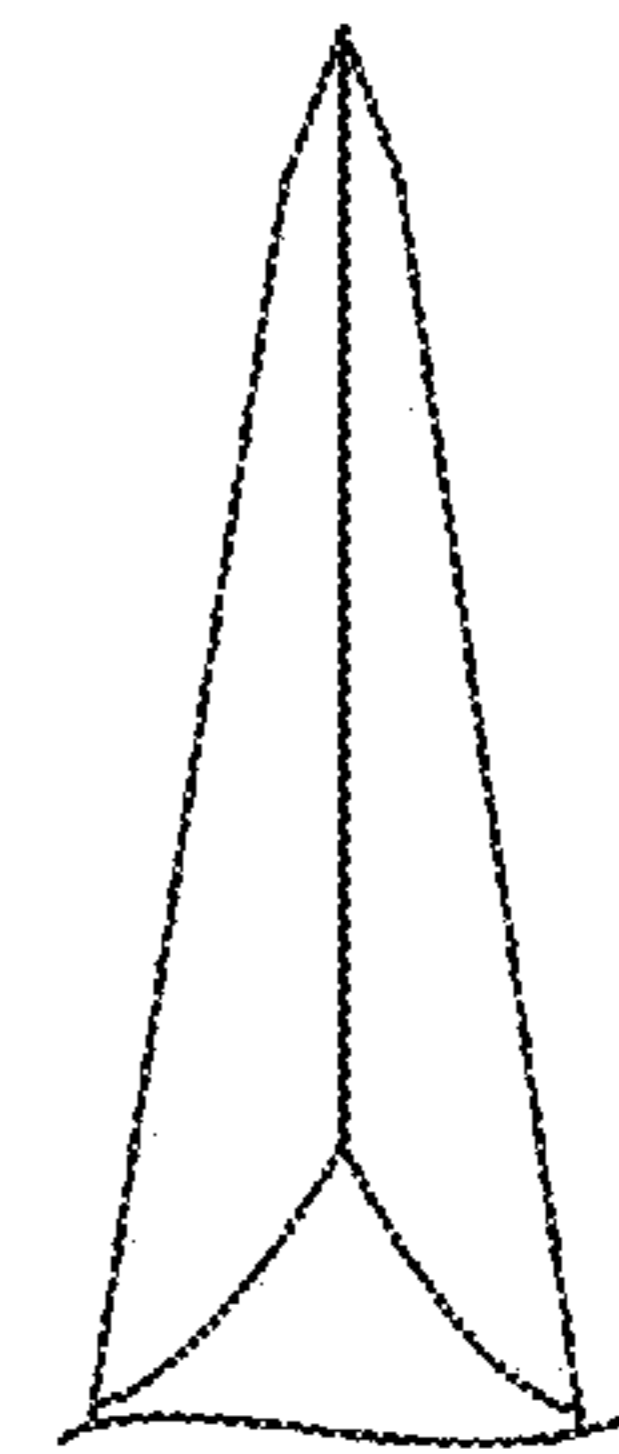


FIG. 6

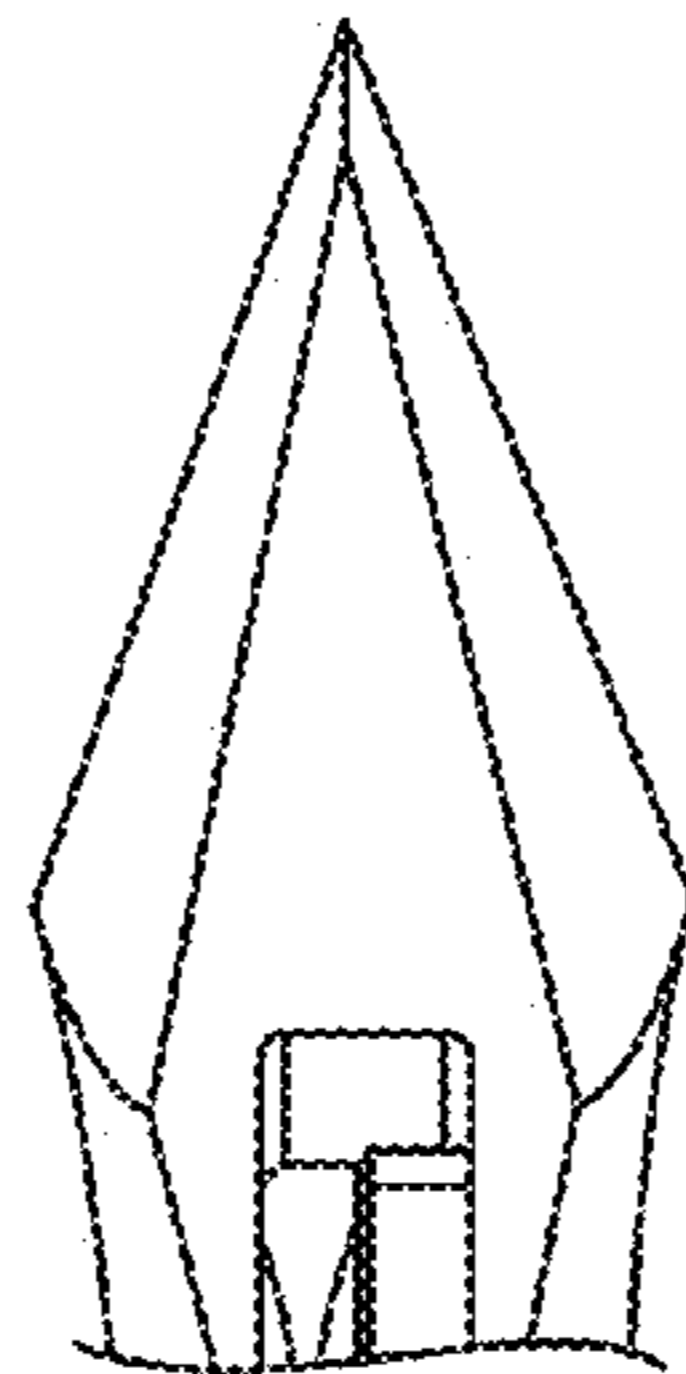


FIG. 7