



US00D745618S

(12) **United States Design Patent**
McMurtrey

(10) **Patent No.:** **US D745,618 S**

(45) **Date of Patent:** **** Dec. 15, 2015**

(54) **PNEUMATIC TUBE JUMPING TOY**

(71) Applicant: **Stephen McMurtrey**, Orlando, FL (US)

(72) Inventor: **Stephen McMurtrey**, Orlando, FL (US)

(**) Term: **14 Years**

(21) Appl. No.: **29/496,727**

(22) Filed: **Jul. 16, 2014**

(51) **LOC (10) Cl.** **21-02**

(52) **U.S. Cl.**
USPC **D21/797**

(58) **Field of Classification Search**
USPC D21/797, 668, 669, 834, 826; D6/716;
482/27, 35, 29, 112, 33, 110, 148, 28,
482/77, 147, 51, 139, 224; 297/452.18;
135/96, 117; D30/112; D25/1, 16, 22,
D25/56; 446/220; 473/469; 273/395, 402
CPC A63B 5/11; A63B 21/023; A63B 2208/12;
A63B 71/022; A63B 2210/50

See application file for complete search history.

(56) **References Cited**

U.S. PATENT DOCUMENTS

3,130,816	A	4/1964	Wright	
3,167,312	A *	1/1965	Blanchard	482/128
3,195,890	A *	7/1965	Salls	482/128
3,765,673	A	10/1973	Daw	
4,477,070	A *	10/1984	Appelbaum	482/28
4,489,933	A *	12/1984	Fisher et al.	482/28
4,598,905	A	7/1986	Vrana	
4,836,530	A	6/1989	Stanley, Jr.	
D304,850	S *	11/1989	Chambers	D21/797
D325,951	S *	5/1992	Johnson	D21/797
D362,478	S *	9/1995	Wilkinson et al.	D21/797
D363,325	S *	10/1995	Wilkinson	D21/797

5,613,922	A	3/1997	Hsiang	
D384,115	S *	9/1997	Wilkinson et al.	D21/668
5,921,899	A	7/1999	Rose	
6,679,811	B2	1/2004	Chen	
D570,947	S *	6/2008	Horne	D21/797
8,246,521	B2	8/2012	Alexander et al.	
9,033,853	B1 *	5/2015	McMurtrey	482/35
2003/0064861	A1	4/2003	Chen	
2006/0172861	A1 *	8/2006	Wang et al.	482/27
2010/0035730	A1 *	2/2010	Dukart	482/27
2015/0080186	A1 *	3/2015	Carlin et al.	482/27
2015/0157888	A1 *	6/2015	Gordon	446/220

* cited by examiner

Primary Examiner — Robert M Spear

Assistant Examiner — Ryan Harvey

(74) *Attorney, Agent, or Firm* — RG Patent Consulting, LL;
Rachel Gilboy

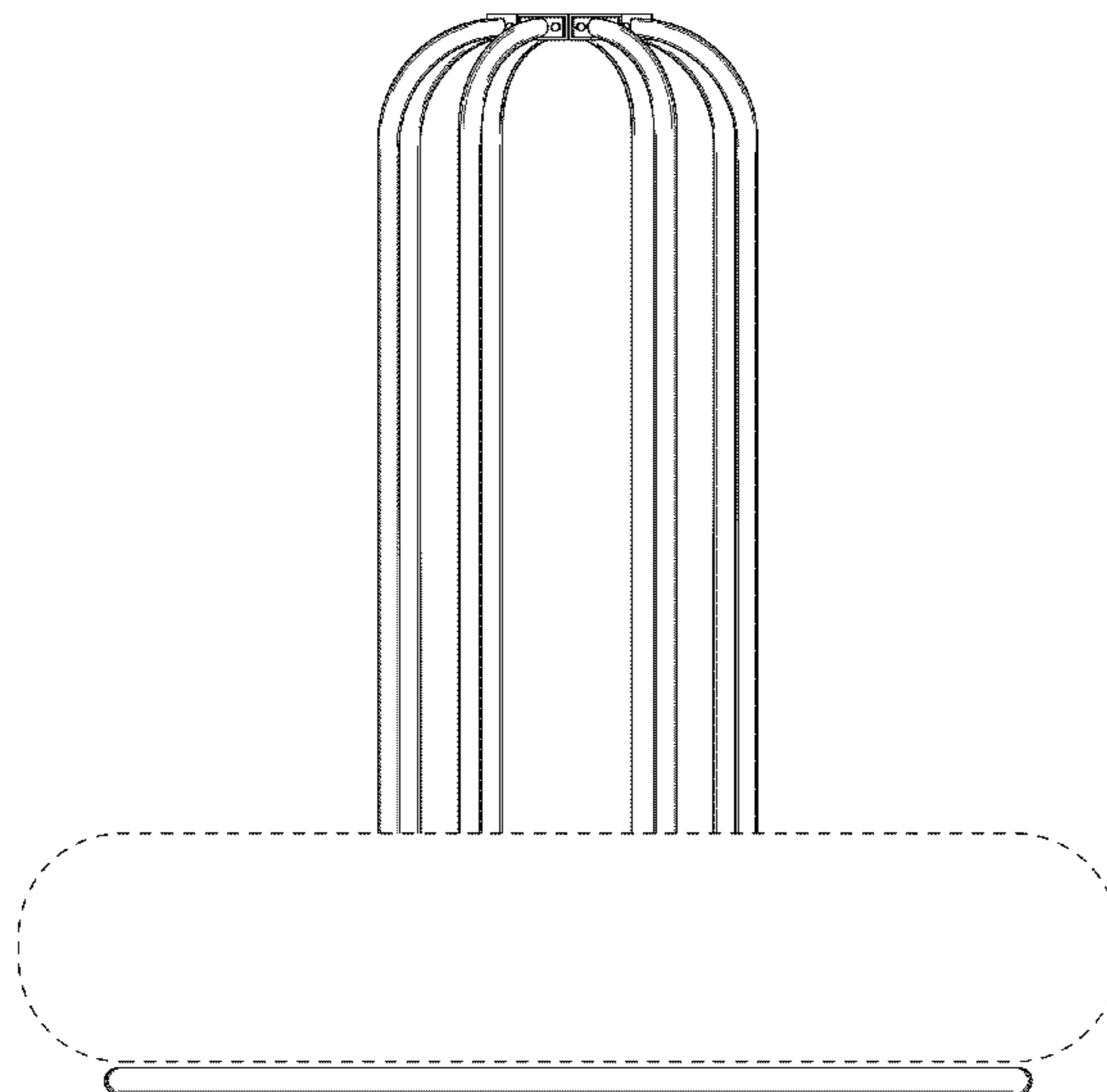
(57) **CLAIM**

The ornamental design for a pneumatic tube jumping toy, as shown and described.

DESCRIPTION

FIG. 1 is a front elevation of a pneumatic tube jumping toy; FIG. 2 is a rear elevation of the pneumatic tube jumping toy; FIG. 3 is a right side elevation of the pneumatic tube jumping toy; FIG. 4 is a left side elevation of the pneumatic tube jumping toy; FIG. 5 is a top plan view of the pneumatic tube jumping toy; and, FIG. 6 is a bottom plan view of the pneumatic tube jumping toy. The broken lines in the drawings illustrate portions of the pneumatic tube jumping toy that form no part of the claimed design.

1 Claim, 6 Drawing Sheets



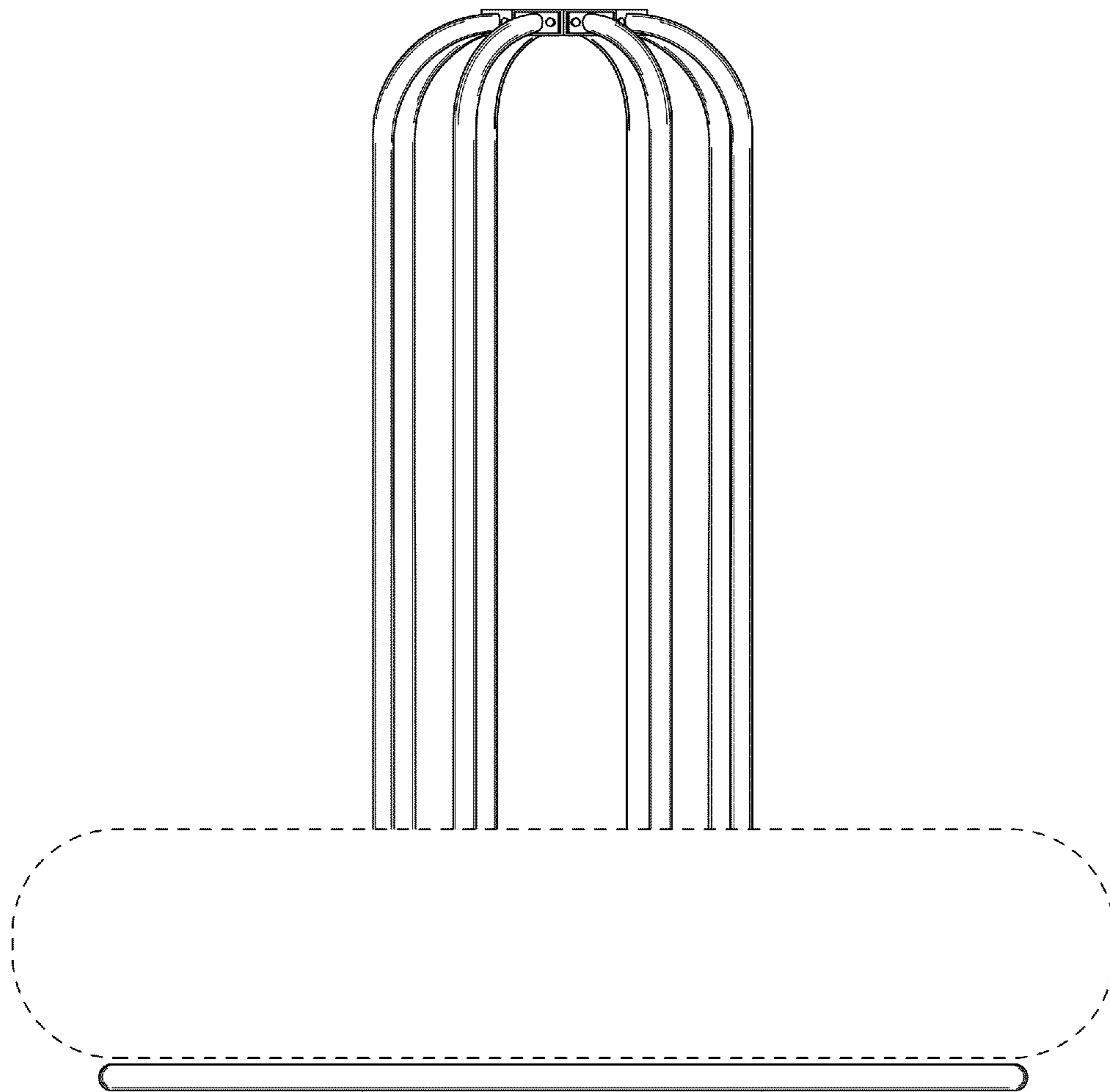


FIG. 1

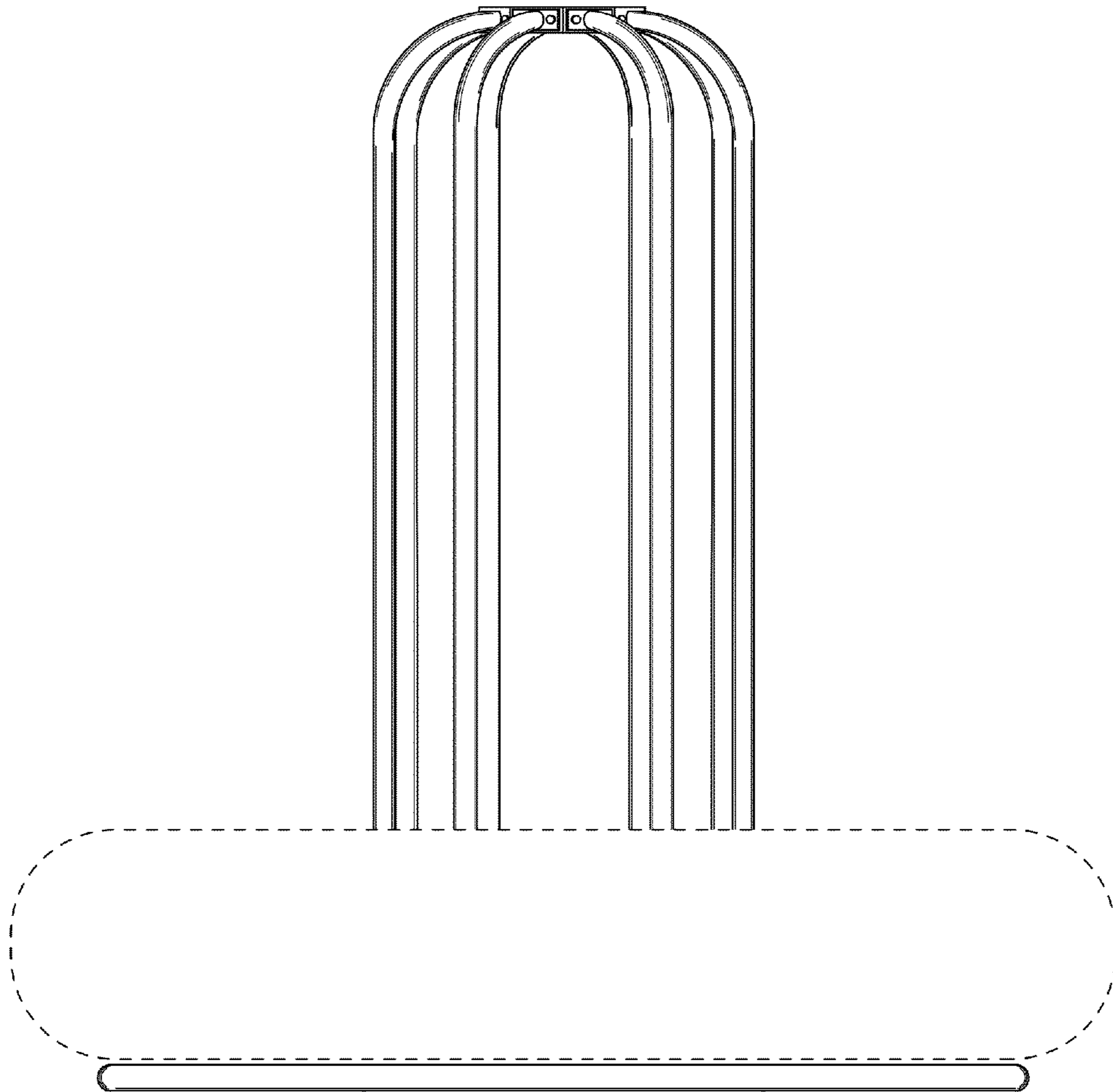


FIG. 2

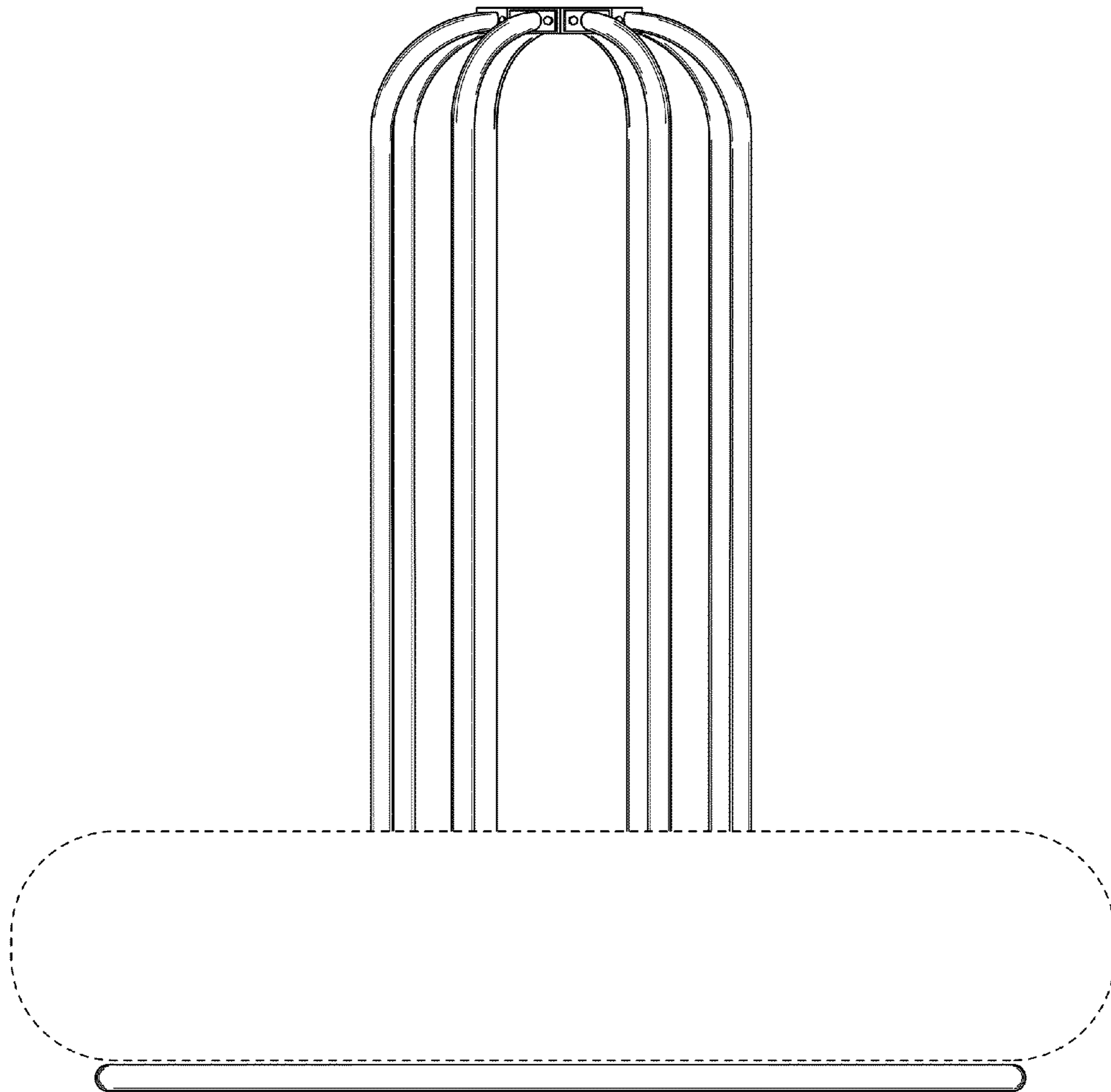


FIG. 3

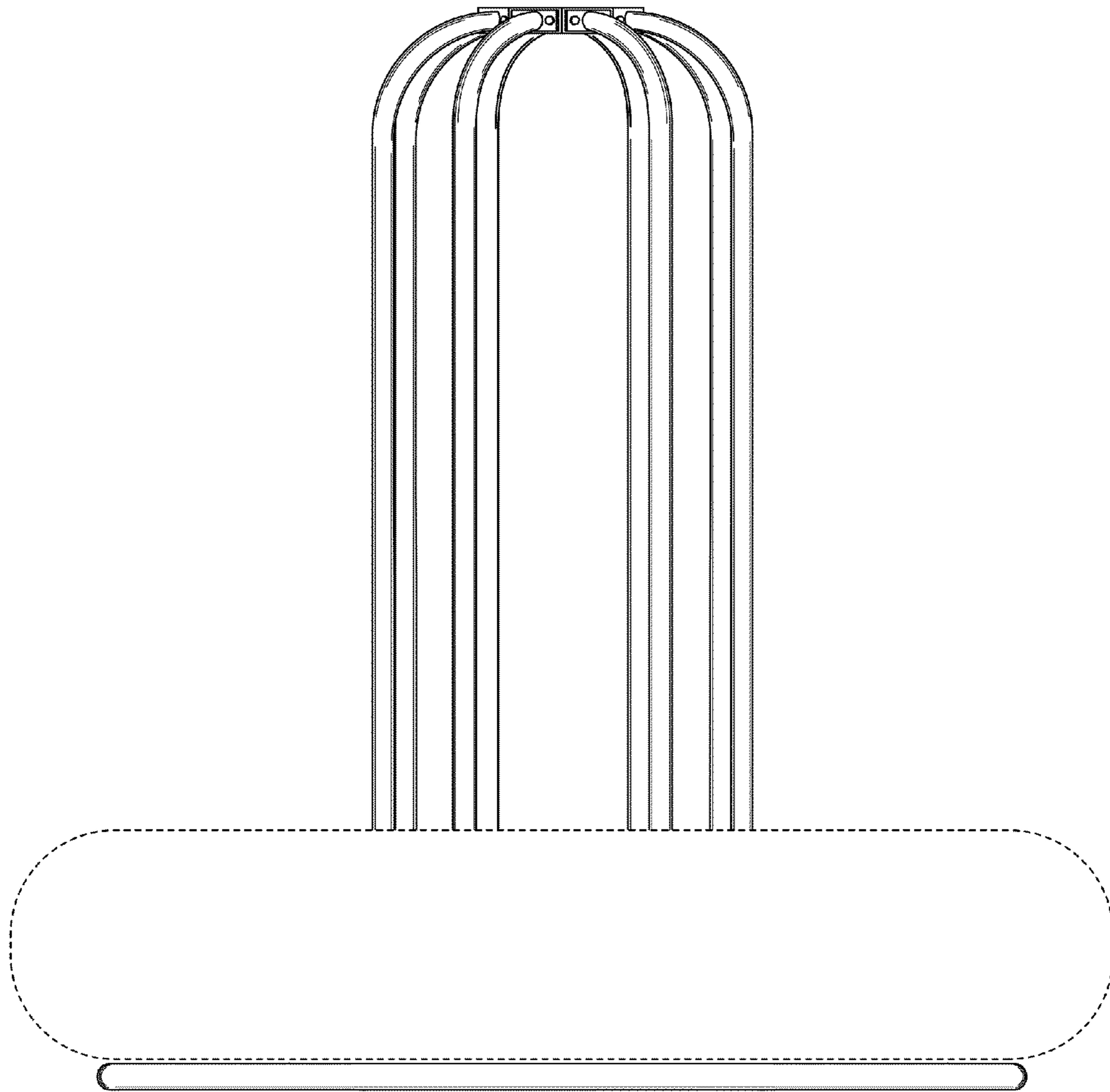


FIG. 4

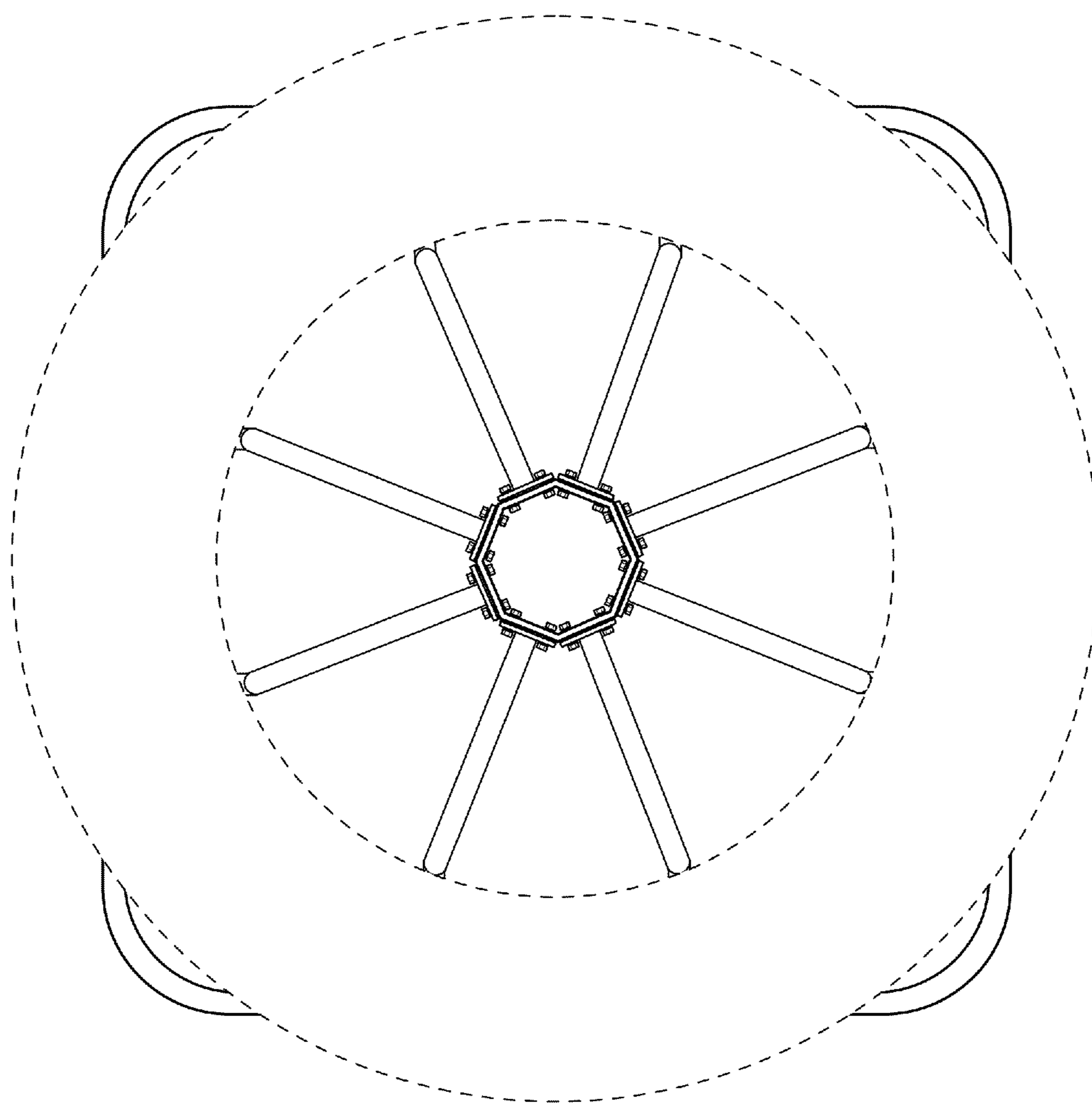


FIG. 5

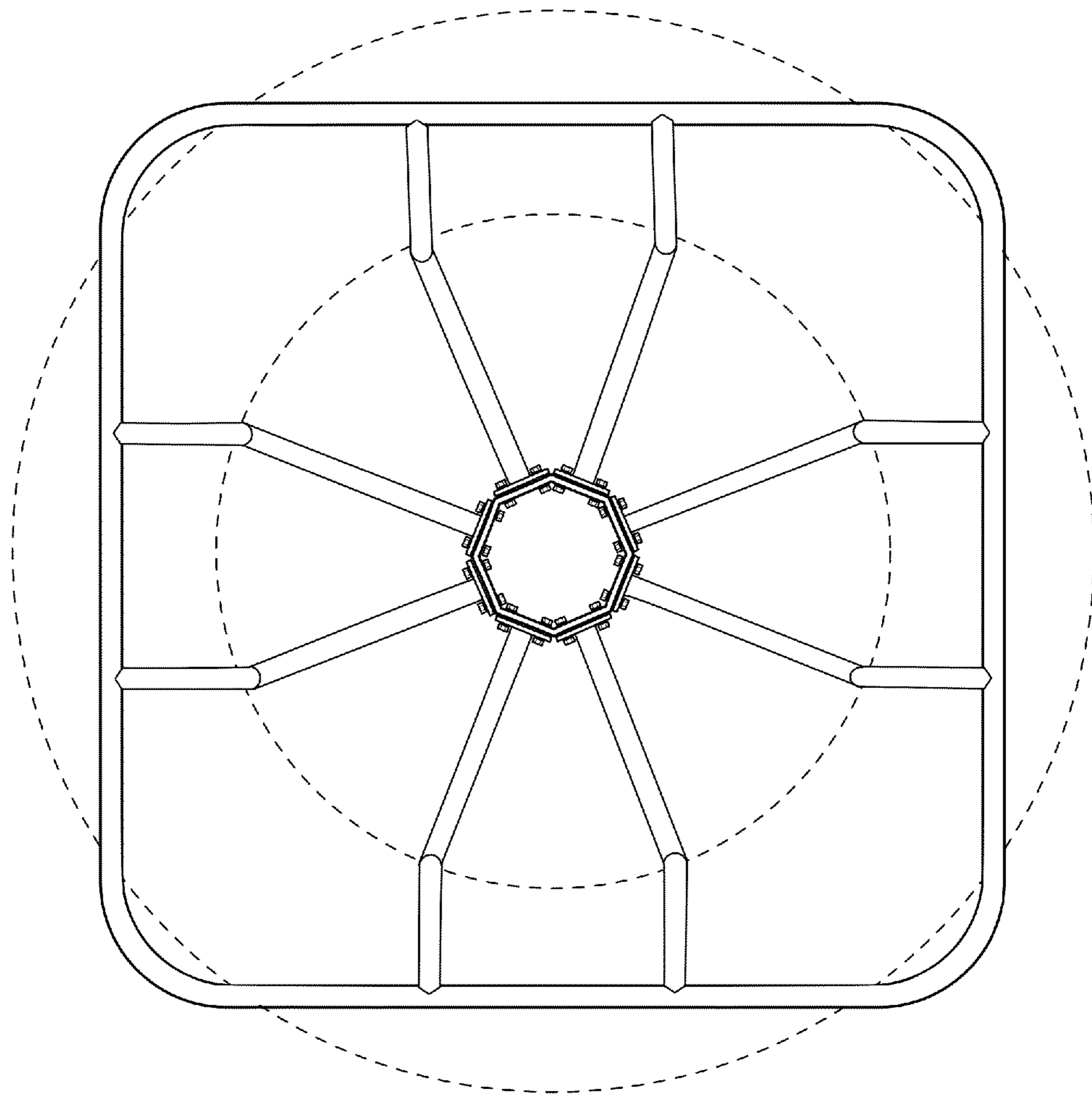


FIG. 6