



US00D745617S

(12) **United States Design Patent**
Jensen et al.

(10) **Patent No.:** **US D745,617 S**

(45) **Date of Patent:** **** Dec. 15, 2015**

(54) **SKATEBOARD SURFACE**

(71) Applicant: **FLINT Design Studio LLC**, Salt Lake City, UT (US)

(72) Inventors: **Jonathan K Jensen**, Salt Lake City, UT (US); **Thomas Bender**, Salt Lake City, UT (US)

(73) Assignee: **Flint Design Studio LLC**, Salt Lake City, UT (US)

(**) Term: **14 Years**

(21) Appl. No.: **29/503,138**

(22) Filed: **Sep. 23, 2014**

(51) **LOC (10) Cl.** **21-02**

(52) **U.S. Cl.**
USPC **D21/765**

(58) **Field of Classification Search**
USPC D21/419, 421, 423, 426, 760, 765, 766, D21/769, 771, 776, 803; 280/7.14, 11.115, 280/11.19, 11.27, 11.28, 14.21, 87.01, 280/87.021, 87.03, 87.041, 87.042, 607, 280/608, 609, 809; 180/180, 181; 434/247, 434/253, 258
CPC A63C 17/01; A63C 17/011; A63C 17/012; A63C 17/014; A63C 17/015; A63C 17/02; A63C 17/26; A63C 5/003; A63B 69/0022; B60Q 1/326; B62K 3/001

See application file for complete search history.

(56) **References Cited**

U.S. PATENT DOCUMENTS

D261,544	S	*	10/1981	Cramer	D21/765
D682,379	S	*	5/2013	Fox	D21/765
D692,079	S	*	10/2013	Mackay	D21/765
D703,780	S	*	4/2014	Fox	D21/765
D709,154	S	*	7/2014	Brotherson	D21/765
D728,048	S	*	4/2015	Stover et al.	D21/765
2013/0001910	A1	*	1/2013	Hsu et al.	280/87.042

* cited by examiner

Primary Examiner — Cynthia M Chin

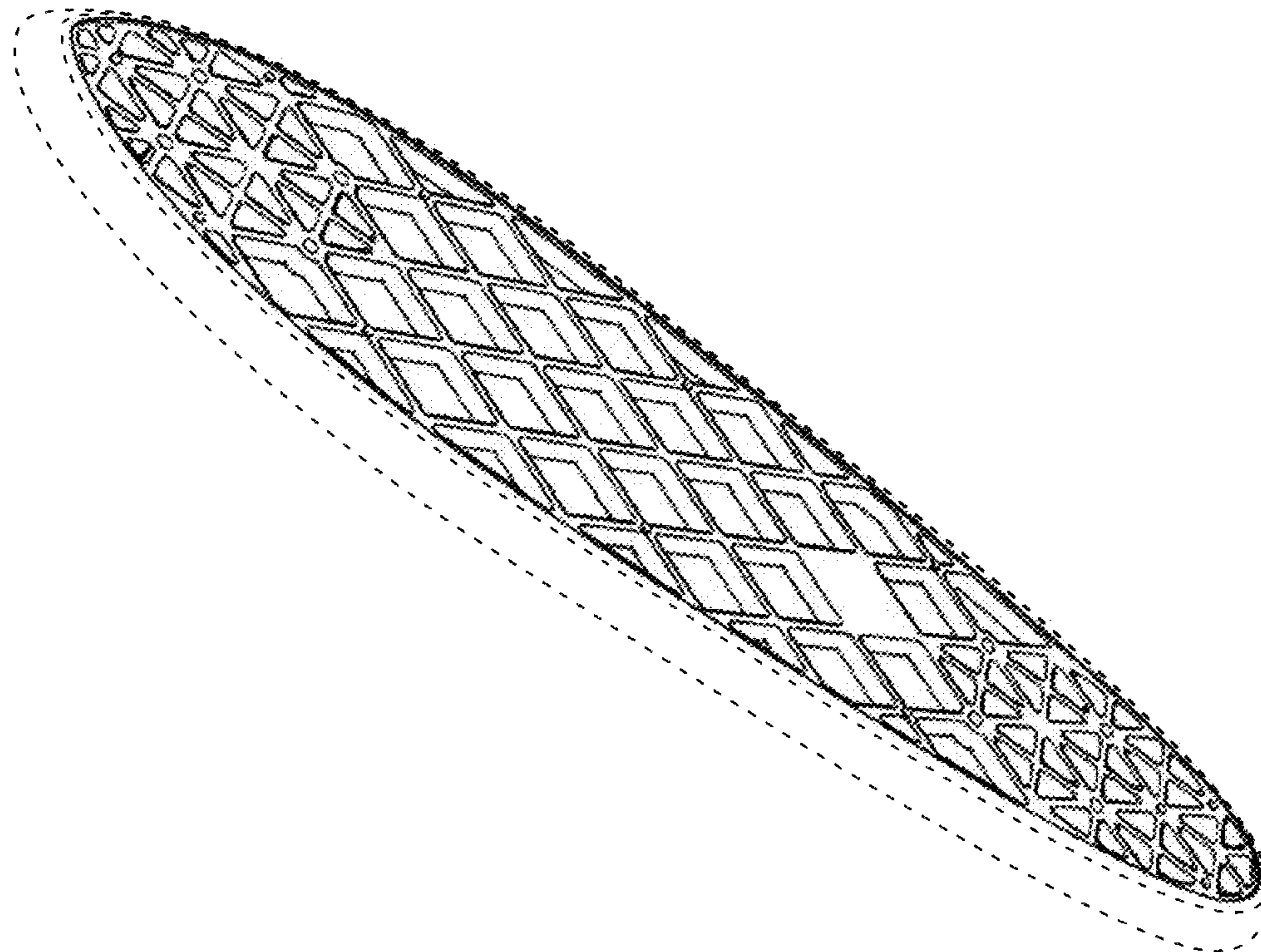
(57) **CLAIM**

The ornamental design for a skateboard surface, as shown and described.

DESCRIPTION

FIG. 1 is a front view of a skateboard surface showing my new design;
FIG. 2 is a perspective view thereof;
FIG. 3 is a rear view thereof;
FIG. 4 is a side view thereof;
FIG. 5 is a front view thereof; and,
FIG. 6 is a side view thereof.
The broken lines represent the environment in which the article resides and forms no part of the claimed design.

1 Claim, 4 Drawing Sheets



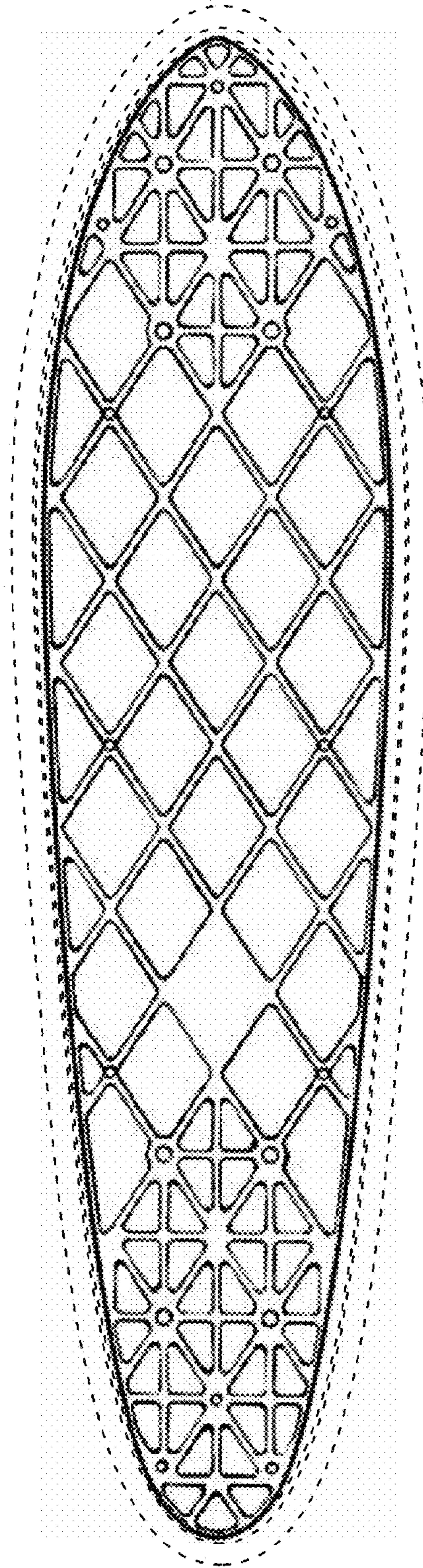


Fig. 1

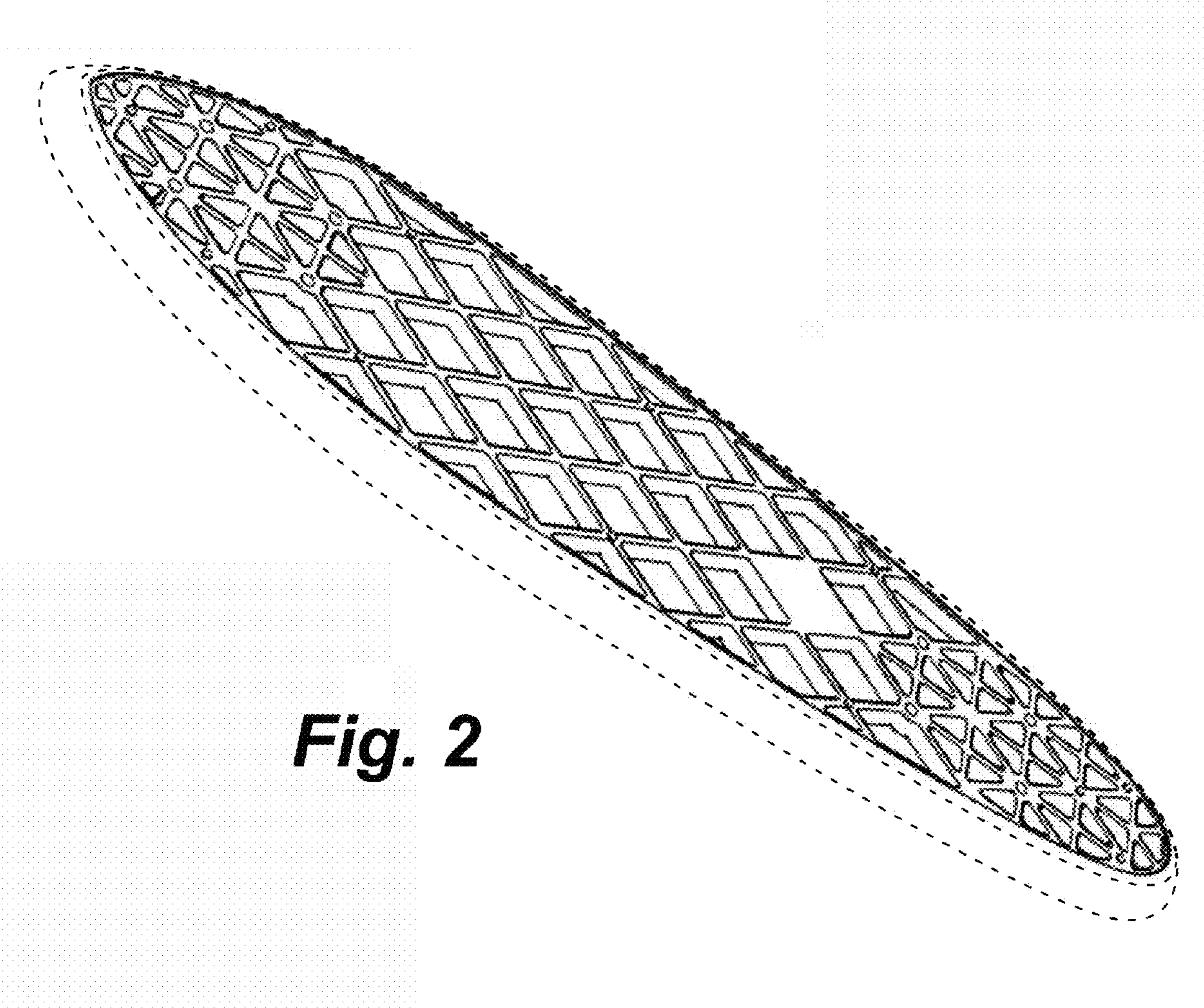


Fig. 2

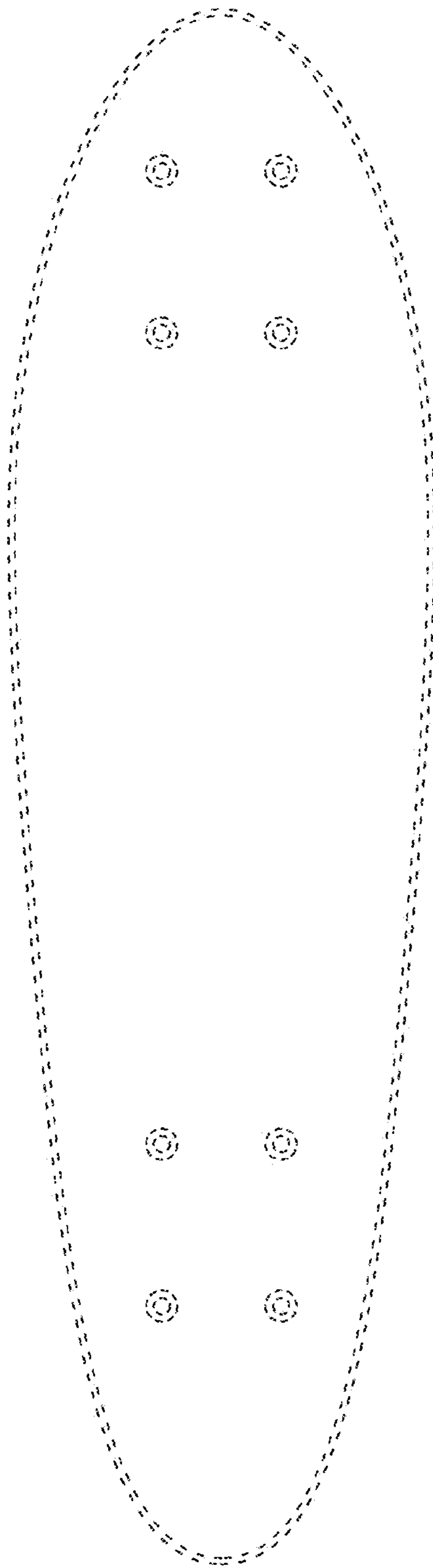


Fig. 3



Fig. 4

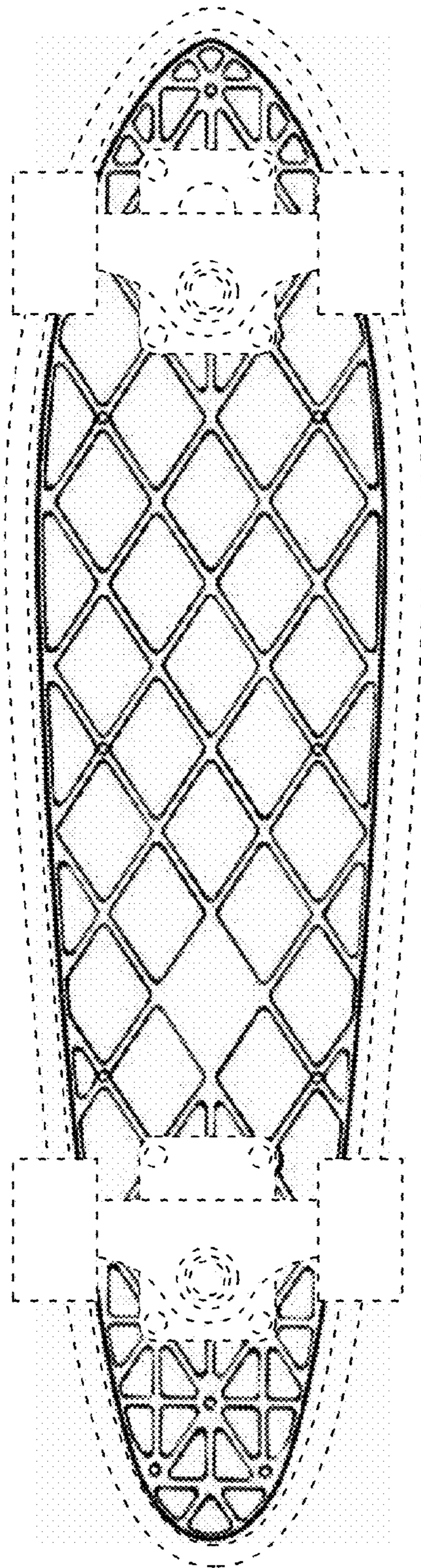


Fig. 5

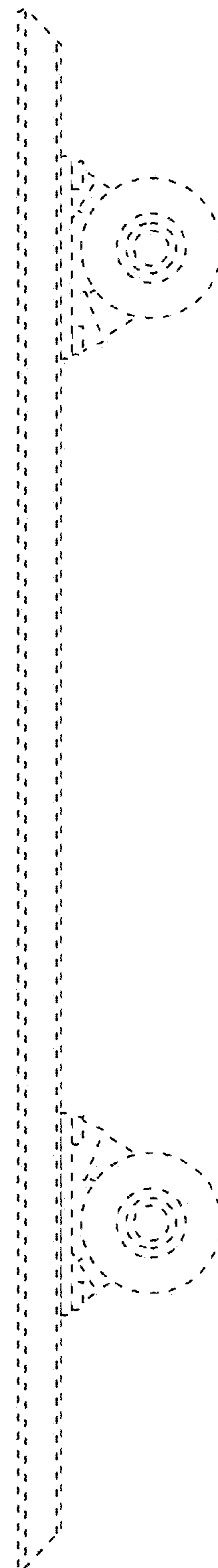


Fig. 6