



US00D745615S

(12) **United States Design Patent**
Ho et al.

(10) **Patent No.:** **US D745,615 S**
(45) **Date of Patent:** **** Dec. 15, 2015**

(54) **MULTI-RAIL EXERCISER**

(71) Applicants: **Wei-Teh Ho**, Taipei (TW); **Willy Ho**, Taipei (TW)

(72) Inventors: **Wei-Teh Ho**, Taipei (TW); **Willy Ho**, Taipei (TW)

(**) Term: **14 Years**

(21) Appl. No.: **29/458,348**

(22) Filed: **Jun. 18, 2013**

(51) **LOC (10) Cl.** **21-02**

(52) **U.S. Cl.**
USPC **D21/686**

(58) **Field of Classification Search**
USPC D21/662, 674, 676, 686, 687, 688, 689,
D21/694; 482/51, 70-72, 96, 112, 121,
482/130-132, 135, 140, 142, 147
CPC .. A63B 22/001; A63B 21/068; A63B 21/154;
A63B 22/203; A63B 22/0664; A63B 22/0023;
A63B 23/0211

See application file for complete search history.

(56) **References Cited**

U.S. PATENT DOCUMENTS

5,827,154	A *	10/1998	Gill	482/9
5,839,998	A *	11/1998	Wilkinson	482/140
6,786,847	B1 *	9/2004	Morgan et al.	482/6
7,662,076	B1 *	2/2010	Ho	482/130

D702,299	S *	4/2014	Ho et al.	D21/686
D705,367	S *	5/2014	Ho et al.	D21/687
D709,969	S *	7/2014	Ho et al.	D21/668
2014/0005006	A1 *	1/2014	Ho et al.	482/96
2014/0005007	A1 *	1/2014	Ho et al.	482/96
2014/0005008	A1 *	1/2014	Ho et al.	482/96
2014/0100088	A1 *	4/2014	Ho et al.	482/131
2014/0100091	A1 *	4/2014	Ho et al.	482/142

* cited by examiner

Primary Examiner — George D Kirschbaum

Assistant Examiner — Jennifer Watkins

(74) *Attorney, Agent, or Firm* — Blakely, Sokoloff, Taylor & Zafman LLP

(57) **CLAIM**

The ornamental design for a multi-rail exerciser, as shown and described.

DESCRIPTION

FIG. 1 is a perspective view of the new design for a multi-rail exerciser;

FIG. 2 is an enlarged front view thereof;

FIG. 3 is an enlarged rear view thereof;

FIG. 4 is an enlarged right side view thereof;

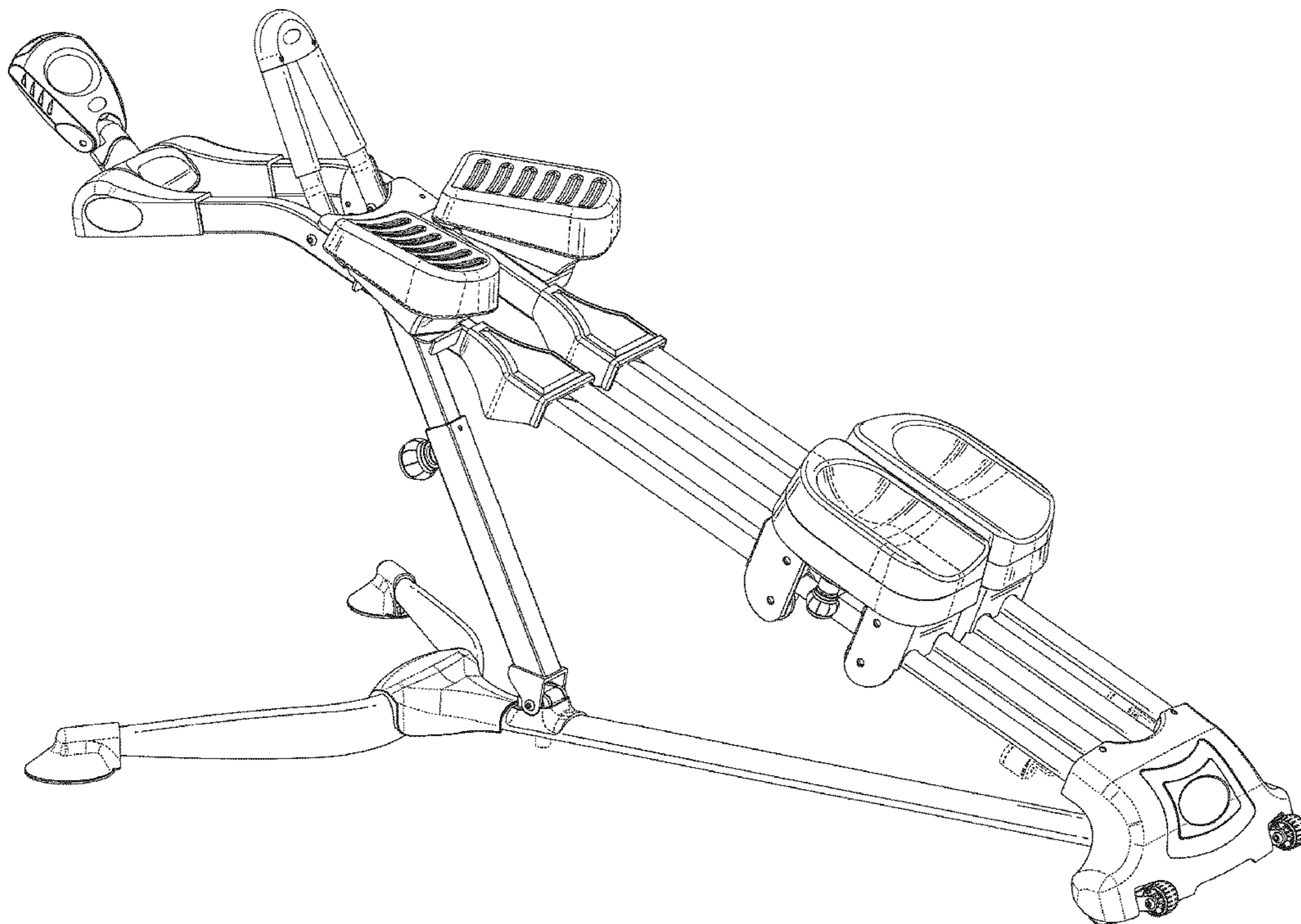
FIG. 5 is an enlarged left side view thereof;

FIG. 6 is an enlarged top view thereof; and,

FIG. 7 is an enlarged bottom view thereof.

The broken lines in the drawings are for the purpose of illustrating portions of the multi-rail exerciser that form no part of the claim.

1 Claim, 7 Drawing Sheets



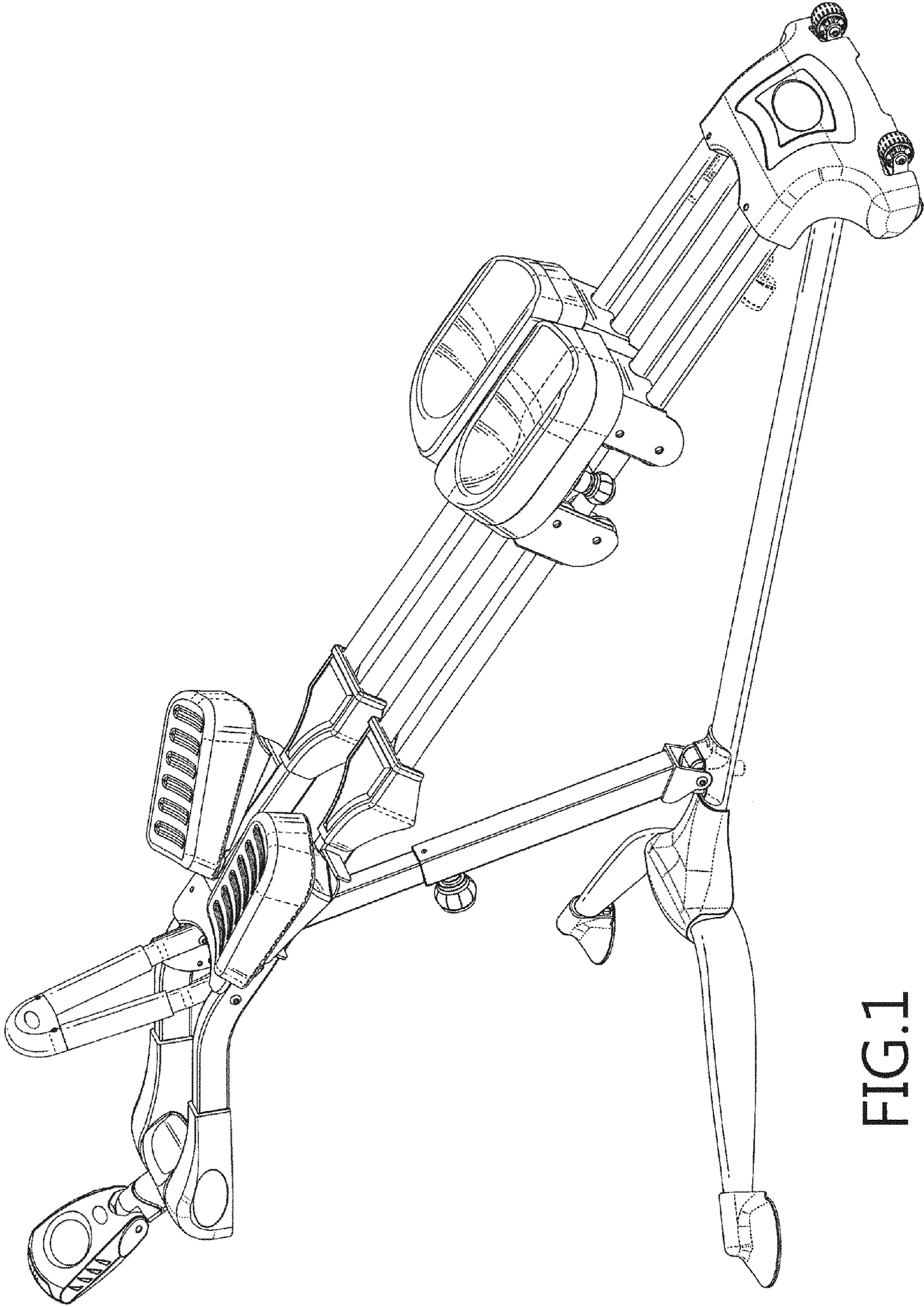


FIG.1

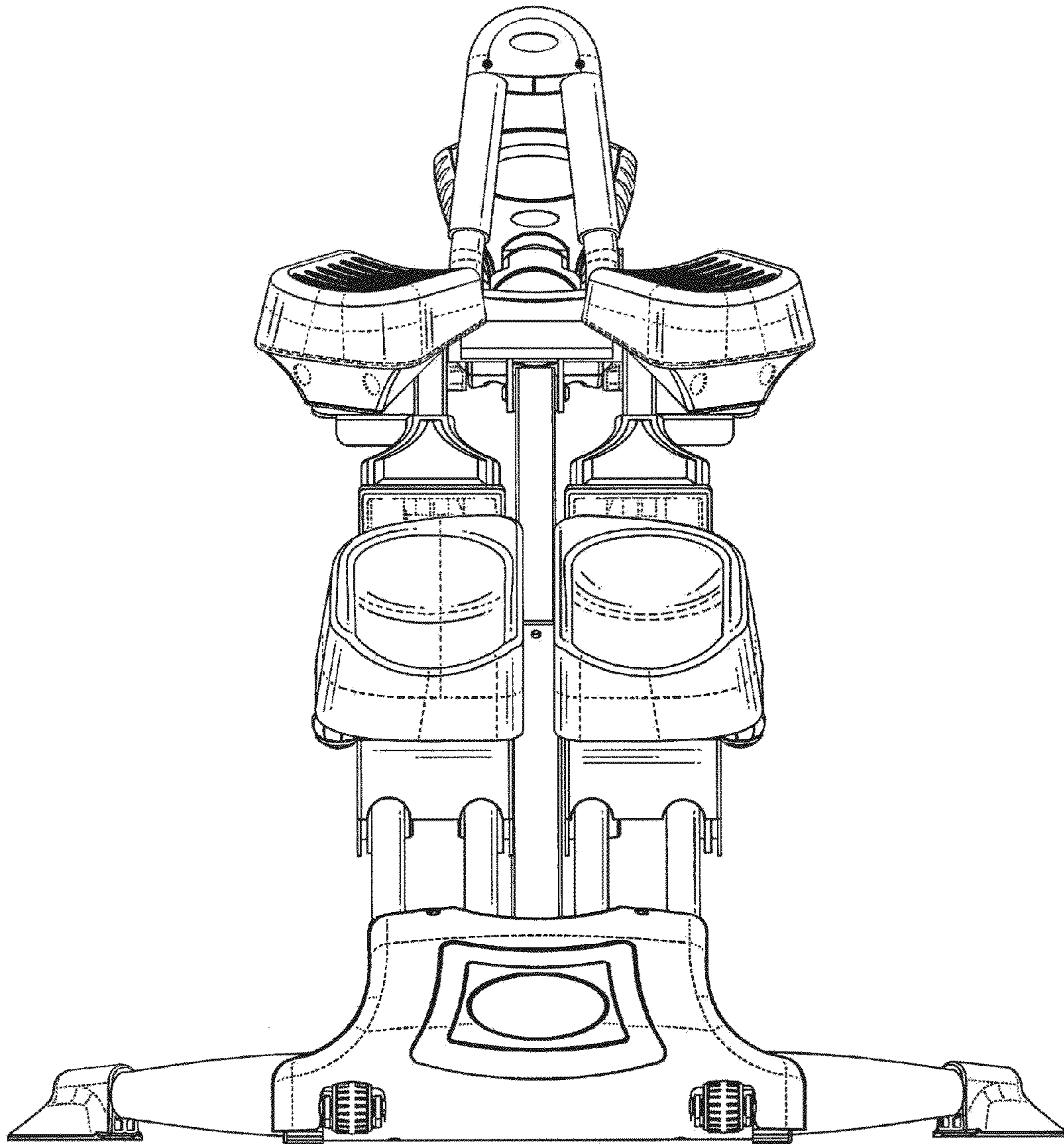


FIG.2

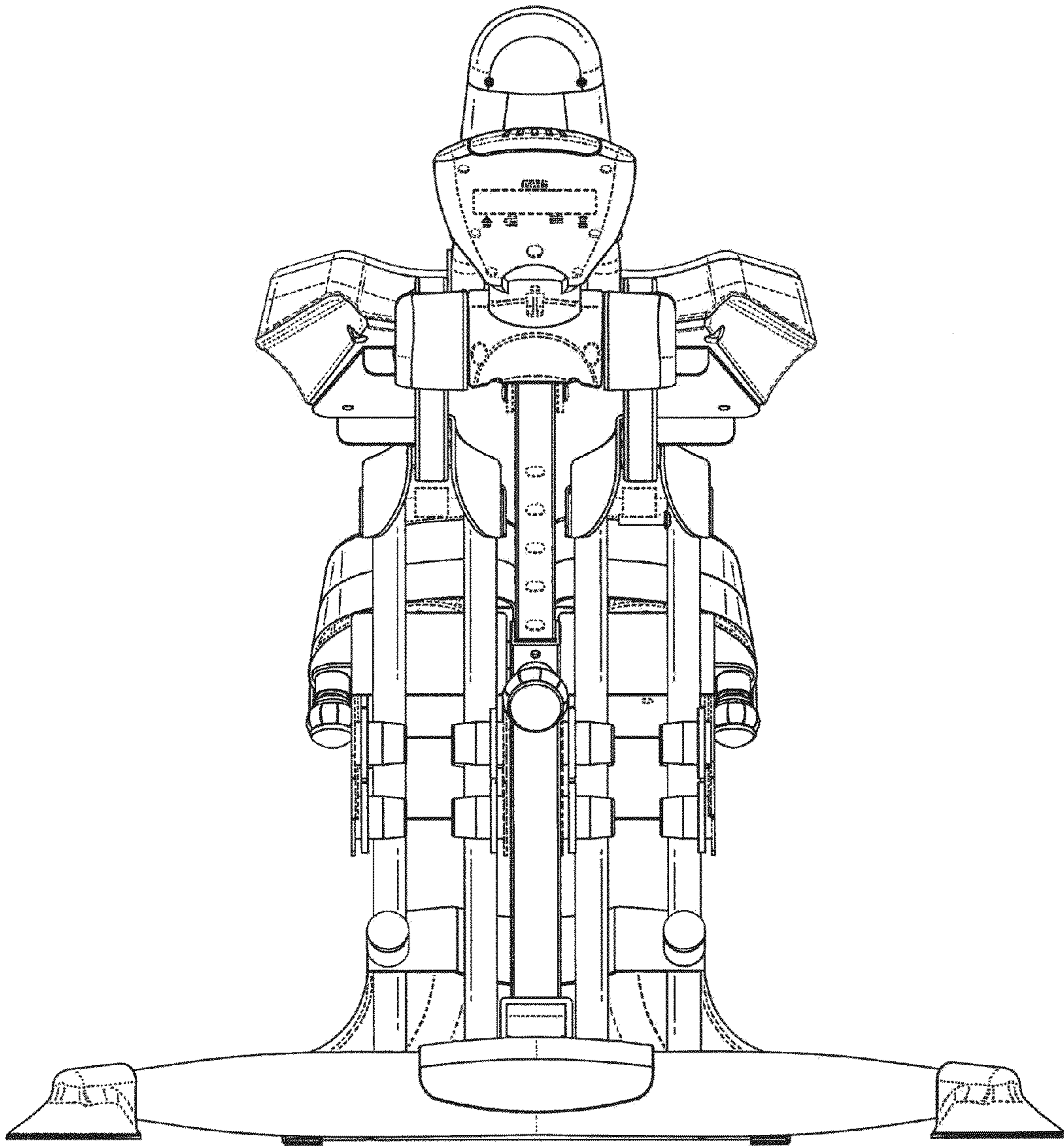


FIG. 3

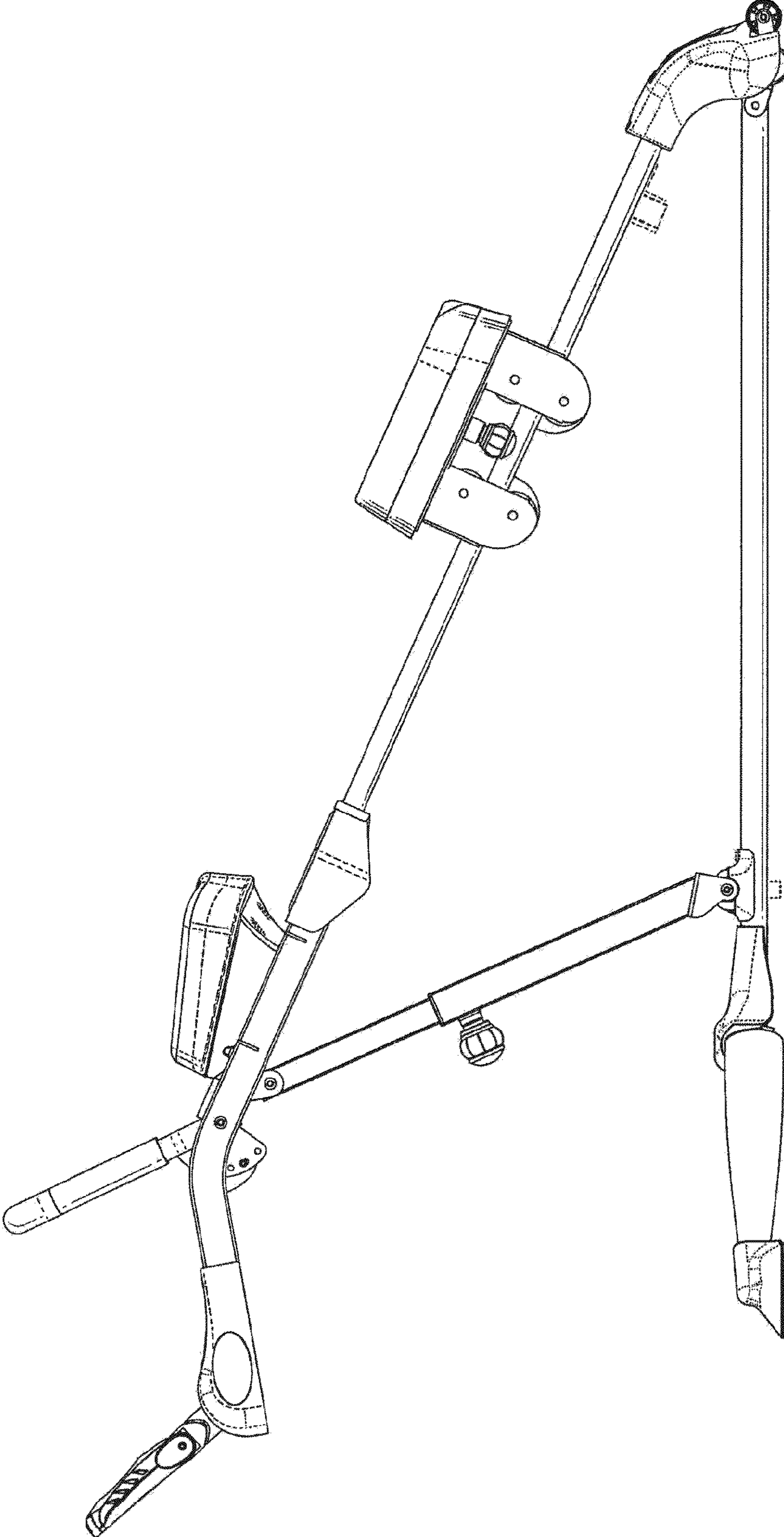


FIG. 5

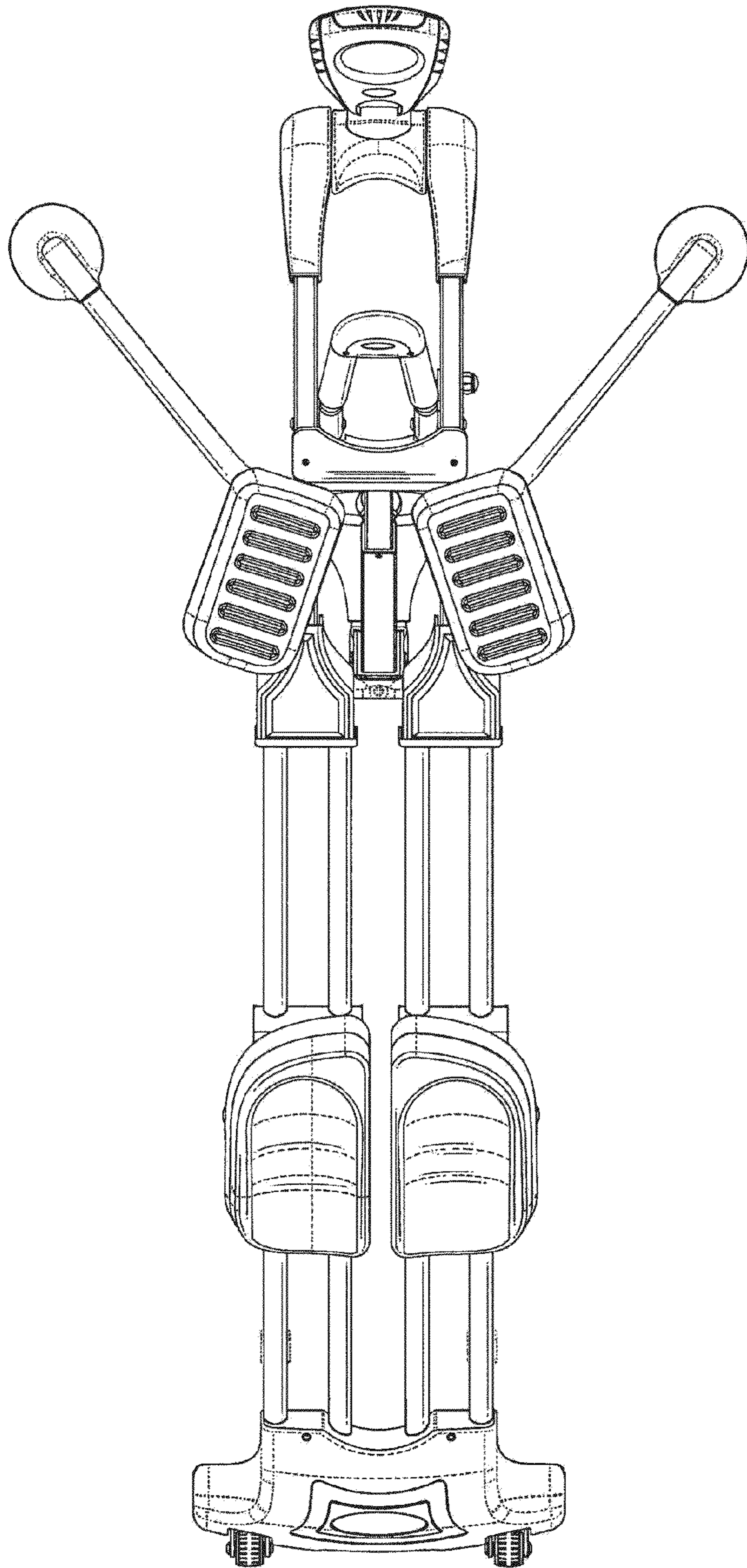


FIG.6

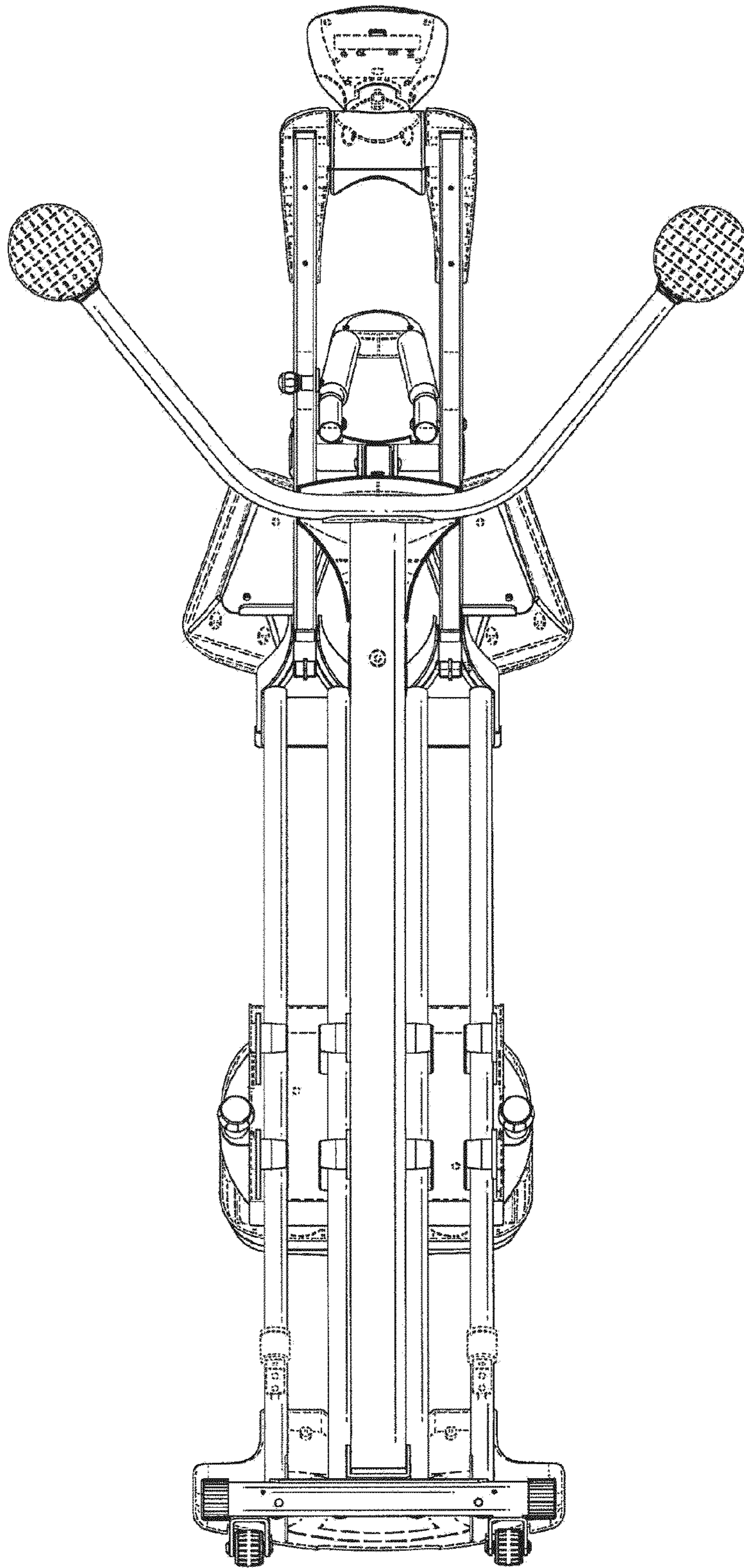


FIG. 7