



US00D745611S

(12) **United States Design Patent**  
**Chu**

(10) **Patent No.:** **US D745,611 S**

(45) **Date of Patent:** **\*\* Dec. 15, 2015**

(54) **TOY GUN**

(71) Applicant: **I Chih Shivan Enterprise Co., Ltd.**,  
Taichung (TW)

(72) Inventor: **Chen Tang Chu**, Taichung (TW)

(73) Assignee: **I Chih Shivan Enterprise Co., Ltd.**,  
Taichung (TW)

(\*\*) Term: **14 Years**

(21) Appl. No.: **29/500,740**

(22) Filed: **Aug. 27, 2014**

(51) **LOC (10) Cl.** ..... **21-01**

(52) **U.S. Cl.**  
USPC ..... **D21/573**

(58) **Field of Classification Search**  
USPC ..... D21/333, 401, 461, 567, 568, 570-575;  
D14/418; D22/100, 101, 104, 105,  
D22/108-110; 124/16, 26, 27, 28, 29, 54,  
124/73-77; 222/78, 79; 42/54, 57, 58;  
446/23, 182, 192, 401, 403, 405-407,  
446/473, 475  
CPC ..... F41B 11/89; F41B 7/08; F41C 7/00;  
F41C 7/11; F41C 7/12

See application file for complete search history.

(56) **References Cited**

U.S. PATENT DOCUMENTS

D606,614 S *	12/2009	Fitzpatrick et al. ....	D22/103
D641,824 S *	7/2011	Gridelet .....	D22/103
D641,825 S *	7/2011	Gridelet .....	D22/103
D645,532 S *	9/2011	Peterson et al. ....	D22/103
D665,037 S *	8/2012	Mead .....	D21/573
D729,880 S *	5/2015	Nichols et al. ....	D21/573
D729,893 S *	5/2015	Foster .....	D22/103
D733,223 S *	6/2015	Chu .....	D21/573
D733,827 S *	7/2015	Serbu .....	D22/103

\* cited by examiner

*Primary Examiner* — Cynthia M Chin

(74) *Attorney, Agent, or Firm* — Leong C. Lei

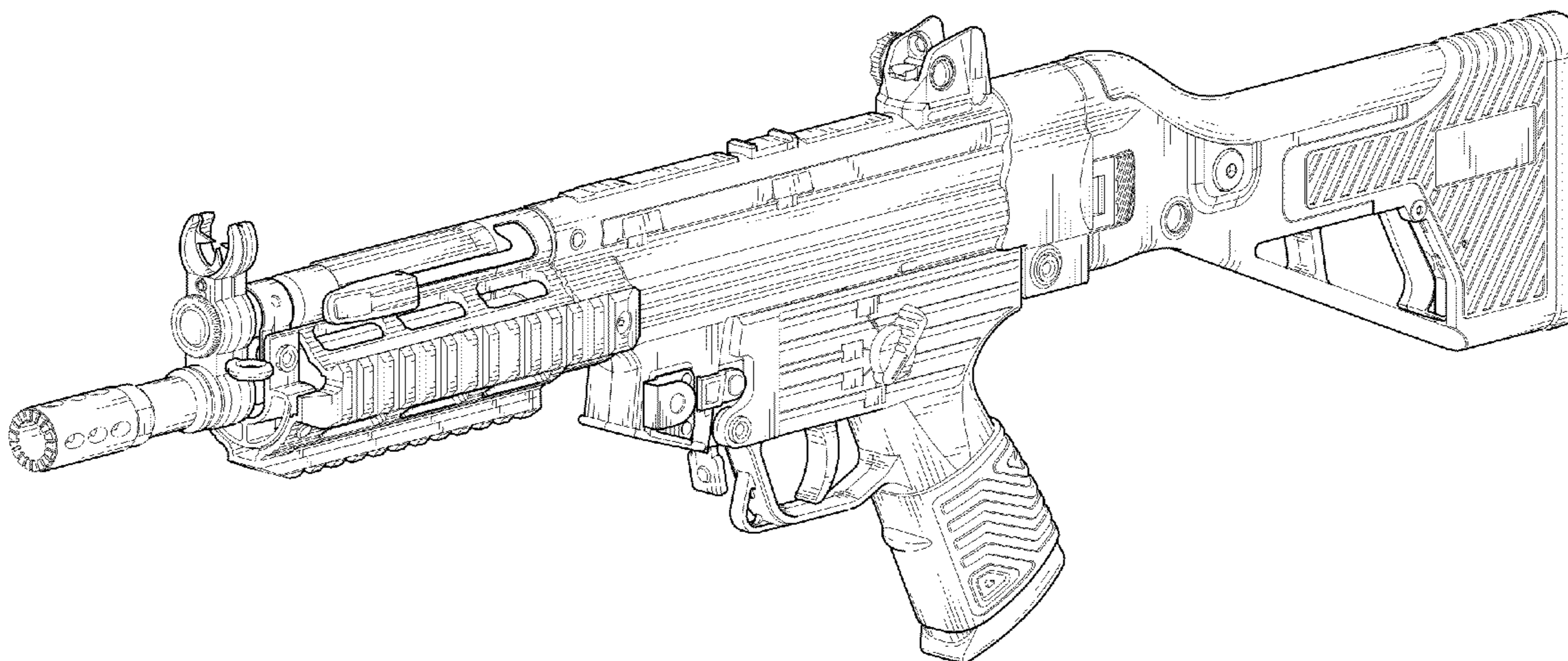
(57) **CLAIM**

The ornamental design for a toy gun, as shown and described.

**DESCRIPTION**

FIG. 1 is a front perspective view of a toy gun showing my new design;  
FIG. 2 is a rear perspective view thereof;  
FIG. 3 is a bottom perspective view thereof;  
FIG. 4 is a front elevational view thereof;  
FIG. 5 is a rear elevational view thereof;  
FIG. 6 is a left elevational view thereof;  
FIG. 7 is a right elevational view thereof;  
FIG. 8 is a top plan view thereof; and,  
FIG. 9 is a bottom plan view thereof.

**1 Claim, 8 Drawing Sheets**



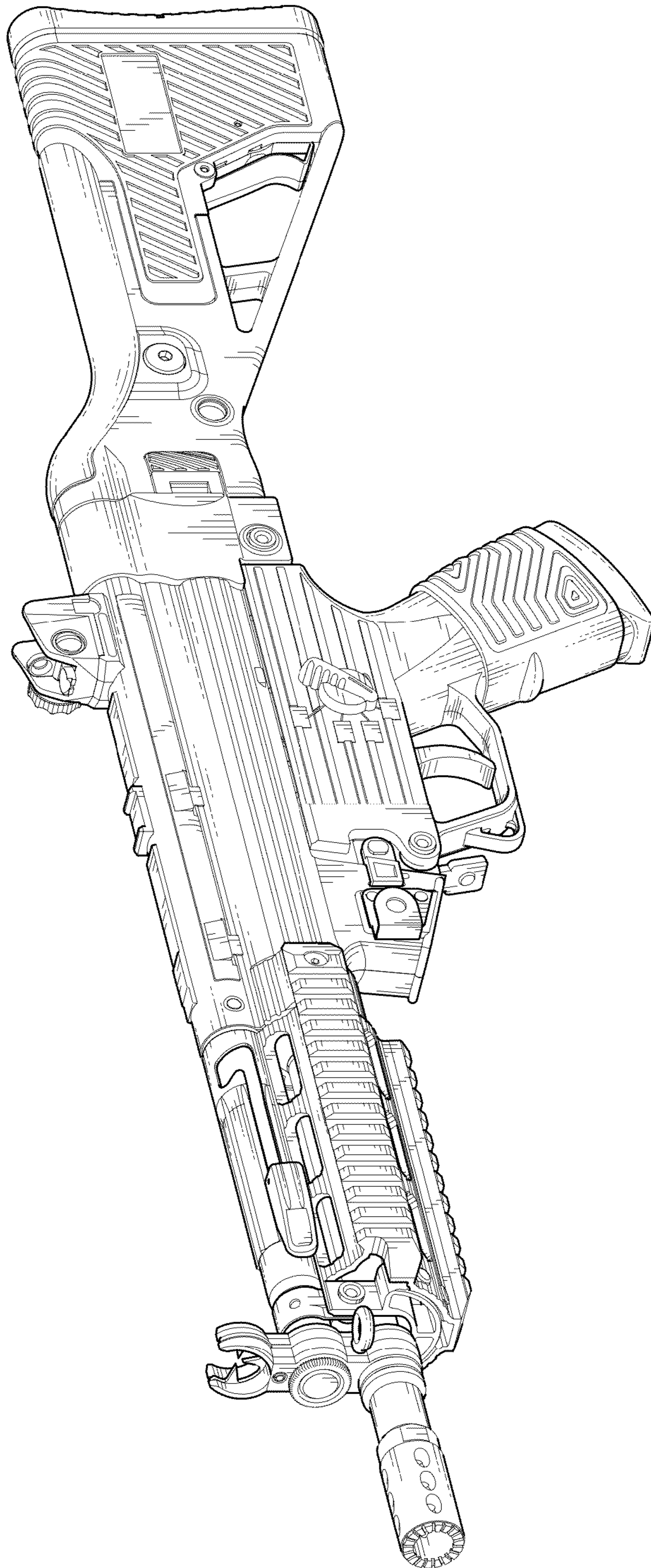


FIG.1

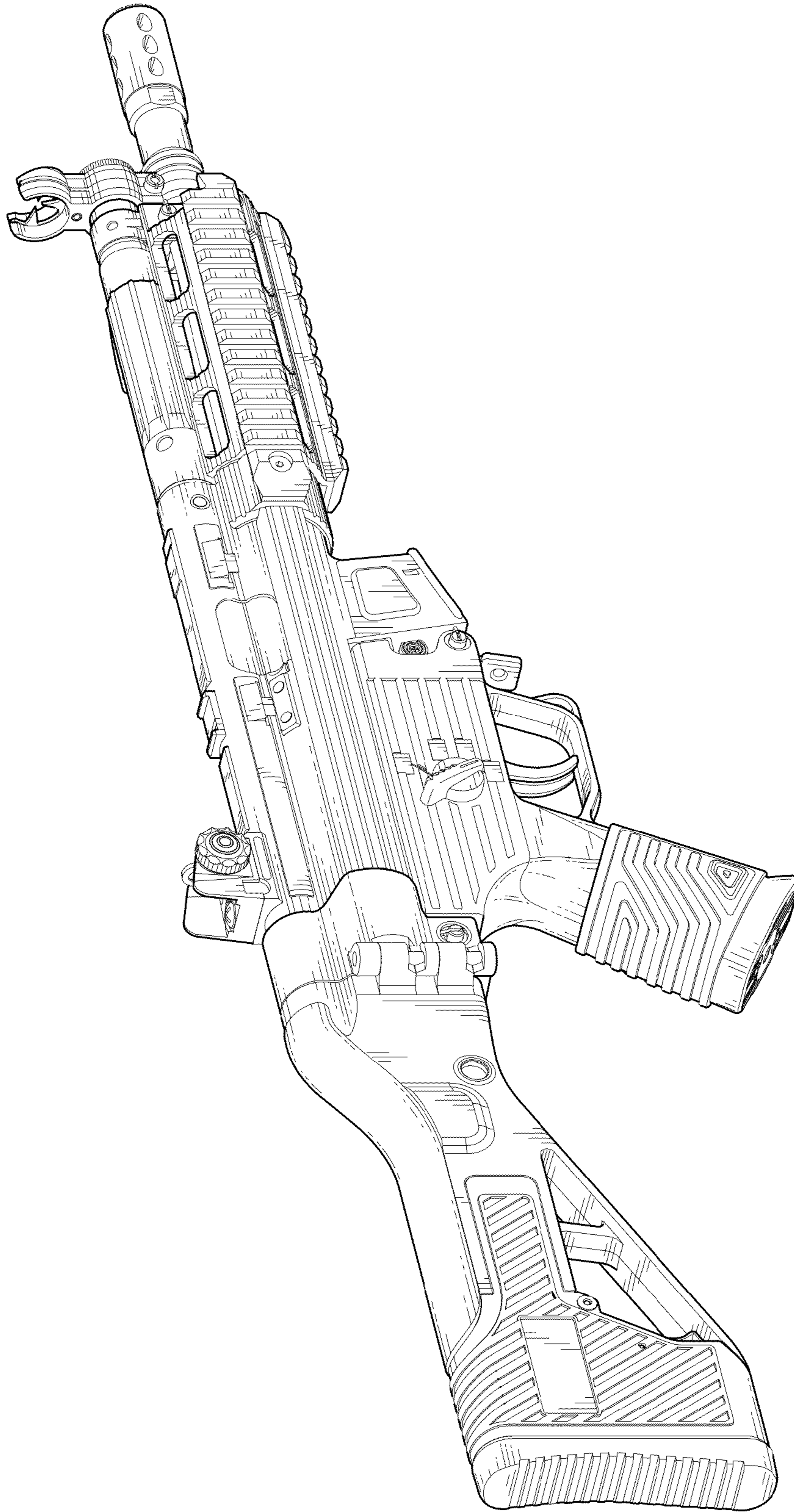


FIG.2

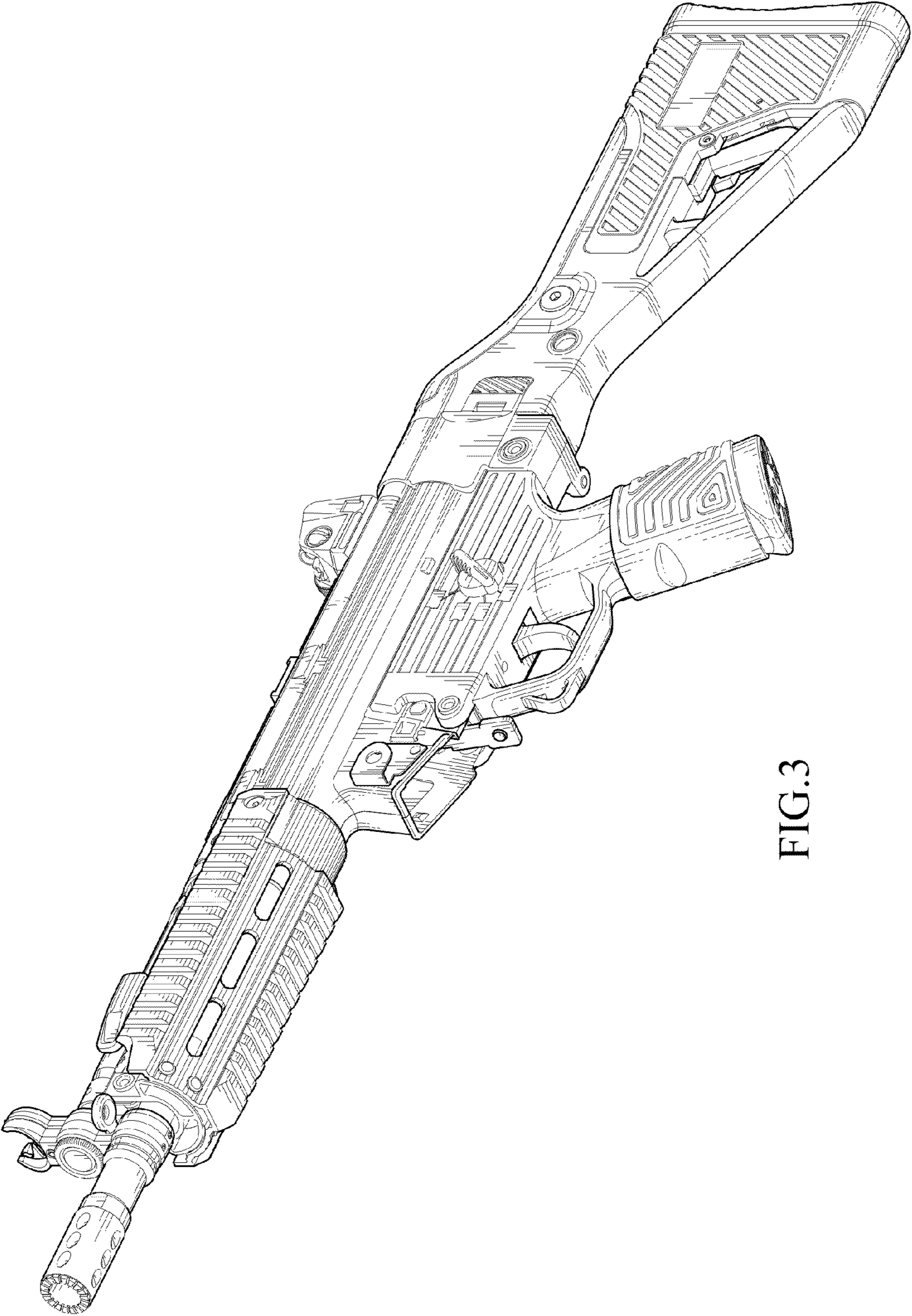


FIG.3

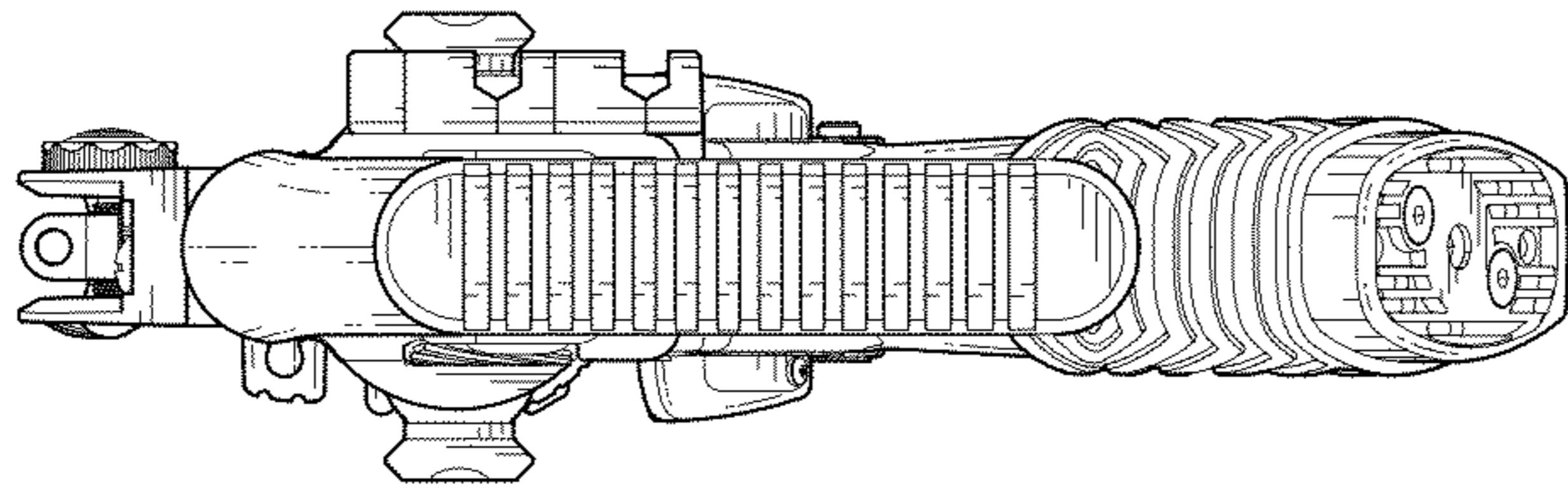


FIG. 5

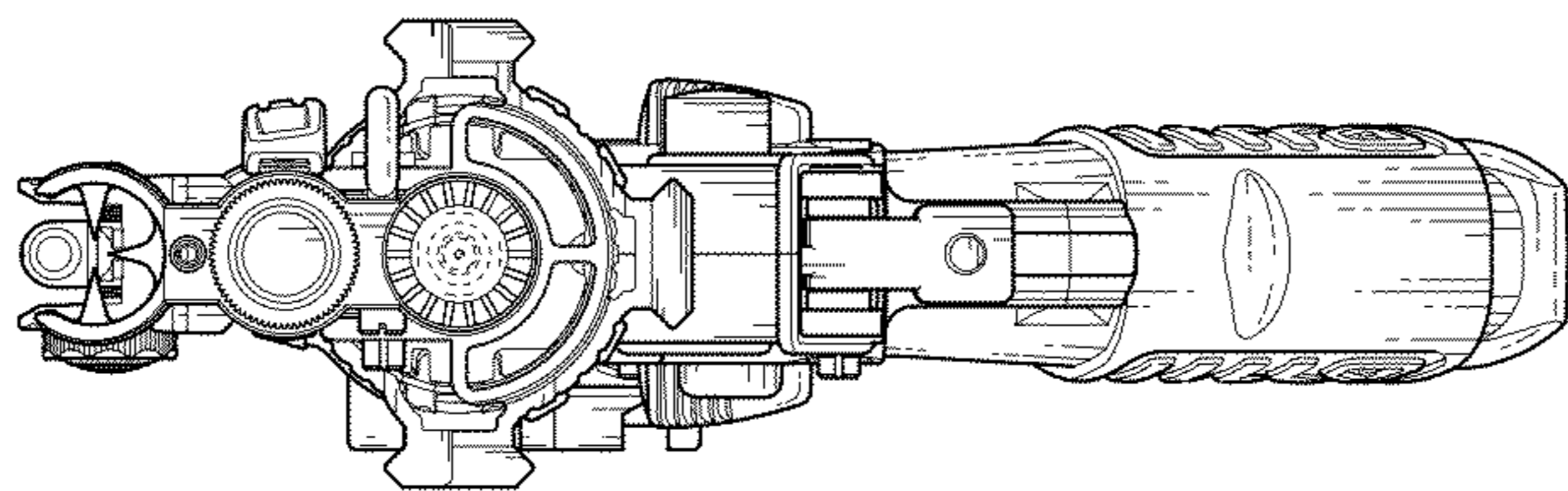


FIG. 4

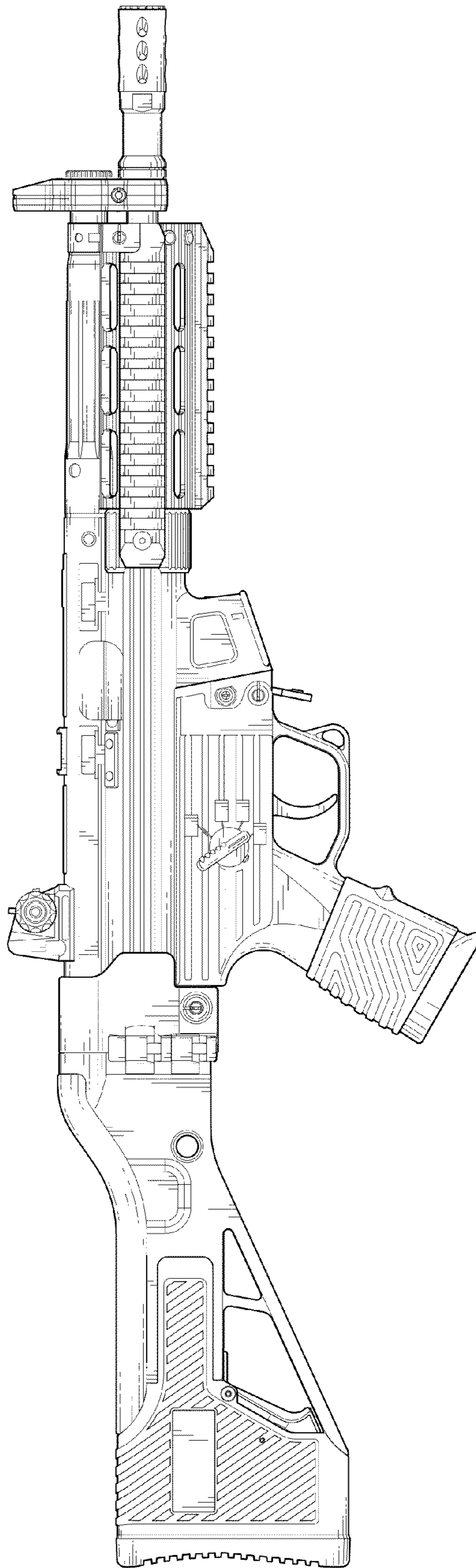


FIG.6

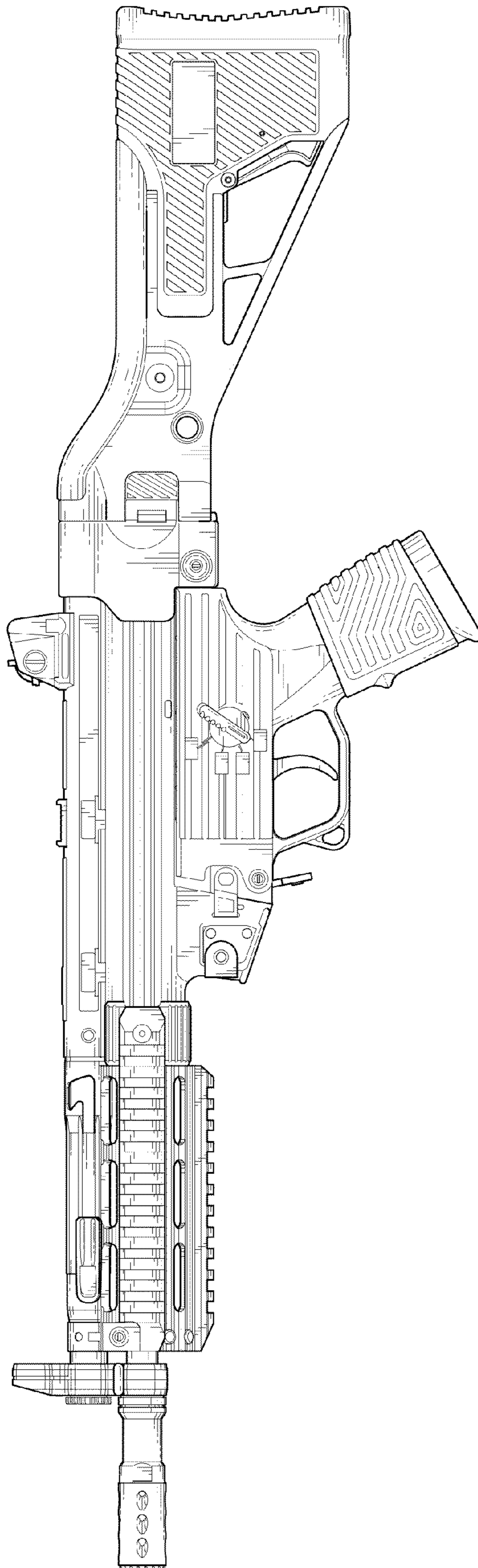


FIG.7

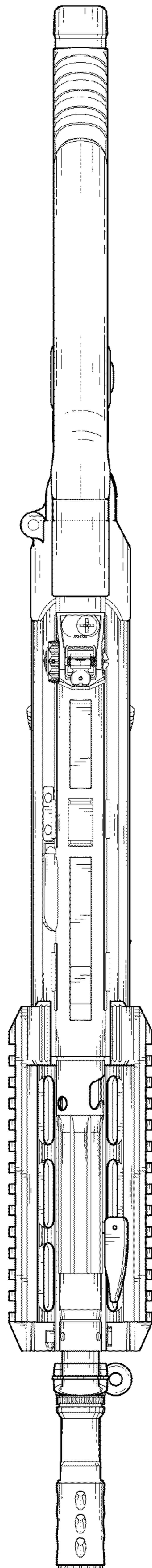


FIG.8



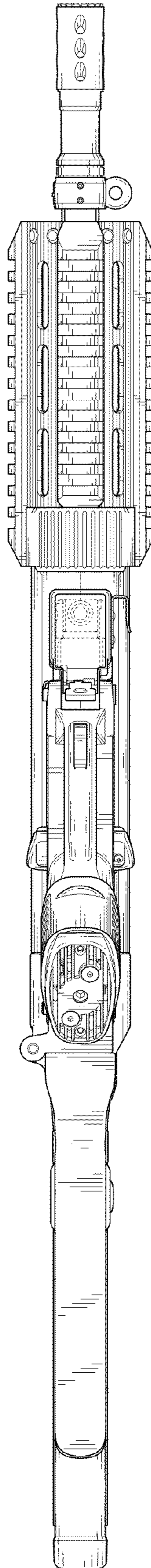


FIG. 9