



US00D745610S

(12) **United States Design Patent**
Vaccarella

(10) **Patent No.:** **US D745,610 S**

(45) **Date of Patent:** **** Dec. 15, 2015**

(54) **CONSTRUCTION ELEMENT**

(71) Applicant: **MAGIC PRODUCTION GROUP S.A.**,
Findel (LU)

(72) Inventor: **Paolo Vaccarella**, Baldissero Torinese
(IT)

(73) Assignee: **MAGIC PRODUCTION GROUPS**
S.A., Findel (LU)

(**) Term: **14 Years**

(21) Appl. No.: **29/499,907**

(22) Filed: **Aug. 20, 2014**

(30) **Foreign Application Priority Data**

Feb. 25, 2014 (EM) 002411918-0001

(51) **LOC (10) Cl.** **21-01**

(52) **U.S. Cl.**
USPC **D21/488**; D21/484

(58) **Field of Classification Search**

USPC D21/333, 373, 386, 389, 404, 468, 470,
D21/471, 475, 484-505; 446/69, 85,
446/102-128; 434/167, 208, 259, 403;
273/153, 156, 160; D3/304, 314;
D24/101; D9/640; 220/23.4; 40/720
CPC A63H 33/00; A63H 33/04; A63H 33/06;
A63H 33/062; A63H 33/08; A63H 33/084;
A63H 33/088; A63H 33/108; A63H 33/12;
A63F 9/12; A63F 9/1224

See application file for complete search history.

(56) **References Cited**

U.S. PATENT DOCUMENTS

2,902,821	A *	9/1959	Kelly, Jr.	446/125
3,221,439	A *	12/1965	Schaper	446/120
3,597,874	A *	8/1971	Ogsbury et al.	446/104
3,648,404	A *	3/1972	Ogsbury et al.	446/126
5,049,105	A *	9/1991	Glickman	446/126
D354,995	S *	1/1995	Barzani	D21/498
D396,501	S *	7/1998	Hatting	D21/484
D414,276	S *	9/1999	Bruno et al.	D21/488
D643,883	S *	8/2011	Dawes	D21/488
D720,408	S *	12/2014	Webb	D21/484
D721,406	S *	1/2015	Webb	D21/484

* cited by examiner

Primary Examiner — Cynthia M Chin

(74) *Attorney, Agent, or Firm* — Rothwell, Figg, Ernst & Manbeck, P.C.

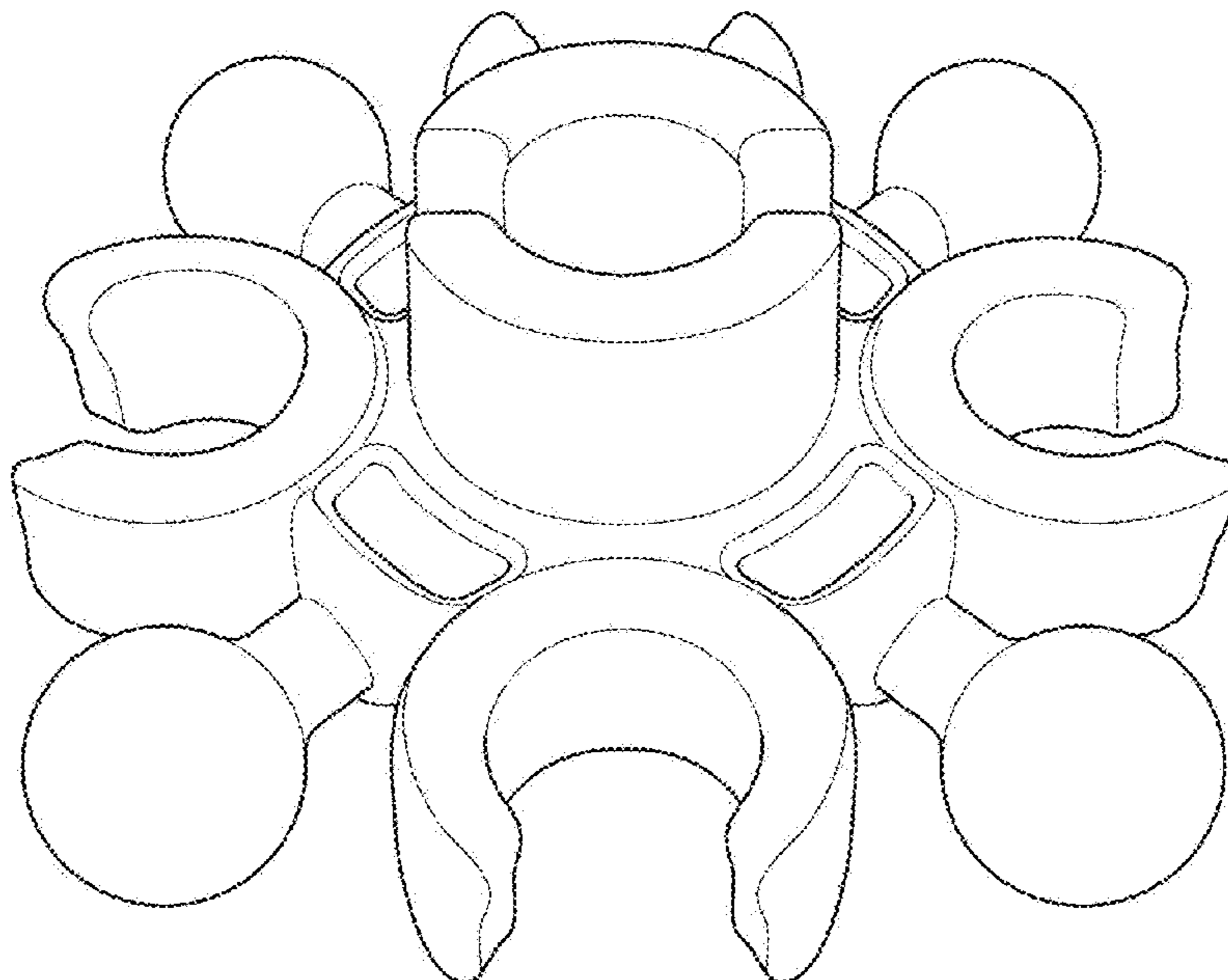
(57) **CLAIM**

The ornamental design for a construction element, as shown and described.

DESCRIPTION

FIG. 1 shows a left side view of the construction element;
FIG. 2 shows a right side view thereof;
FIG. 3 shows a front view thereof;
FIG. 4 shows a rear view thereof;
FIG. 5 shows a top plan view thereof;
FIG. 6 shows a bottom plan view thereof, wherein the broken lines form no part of the claimed design; and,
FIG. 7 shows a perspective front view thereof.

1 Claim, 7 Drawing Sheets



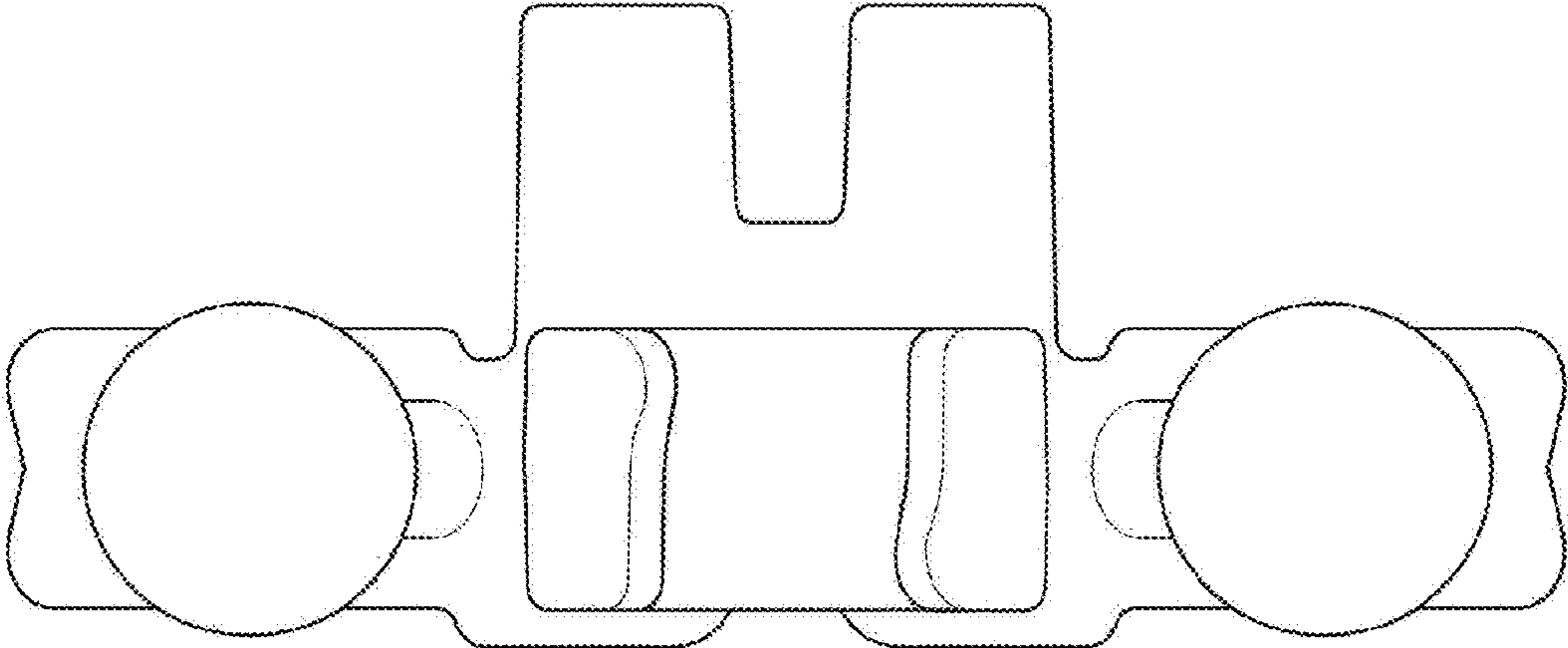


FIG. 1

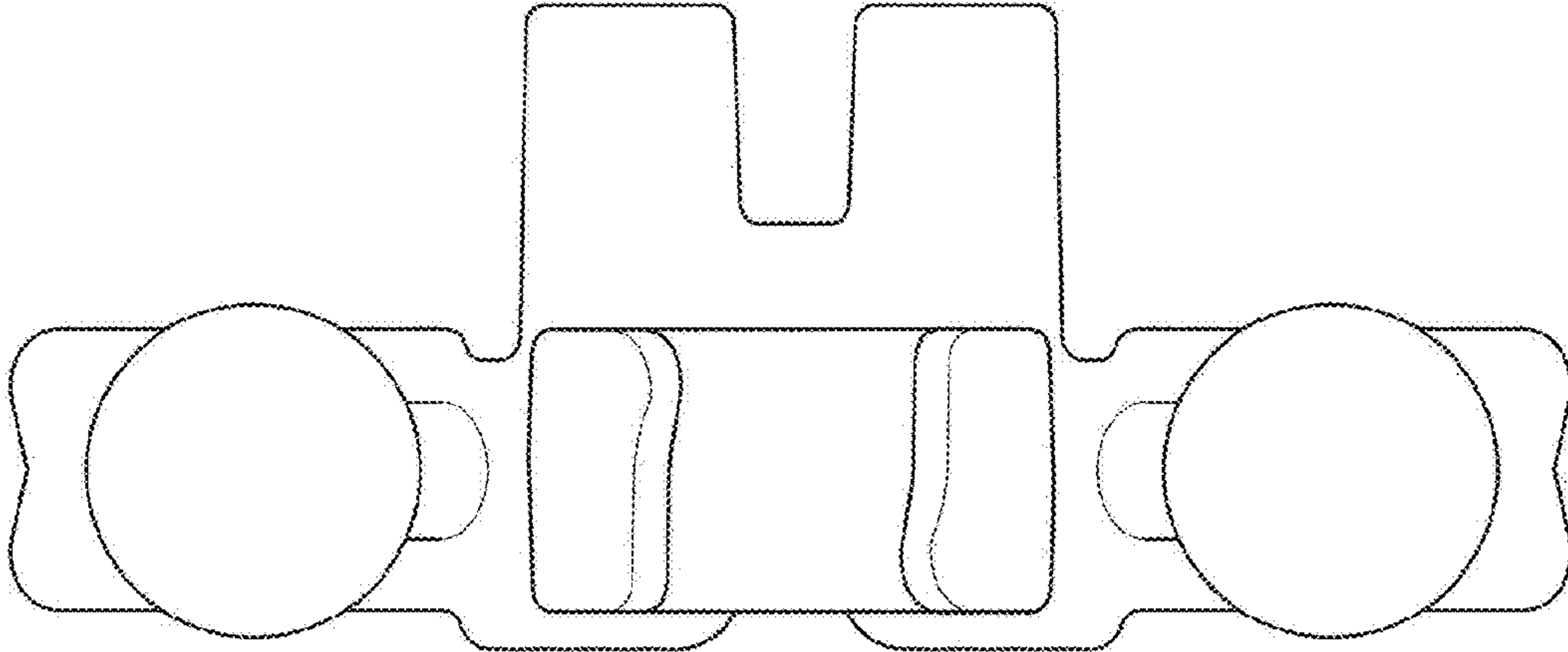


FIG. 2

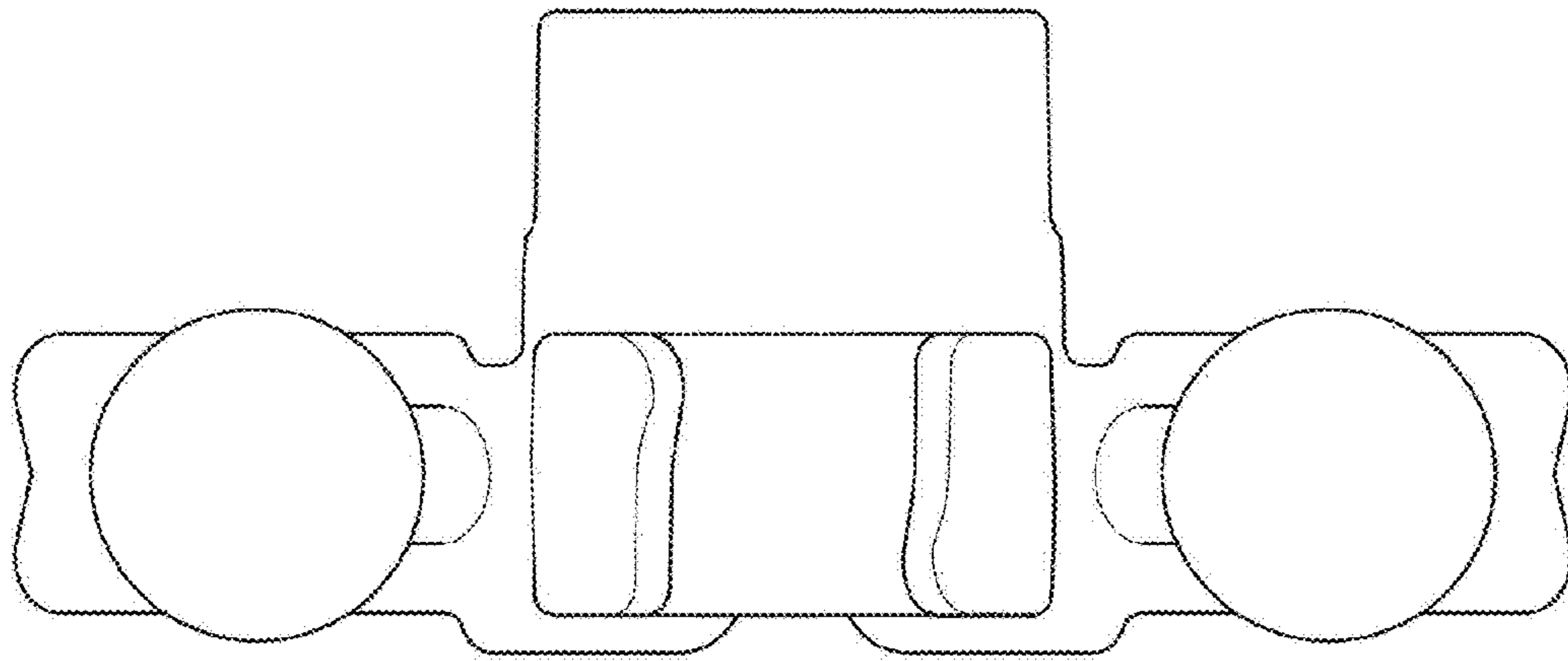


FIG. 3

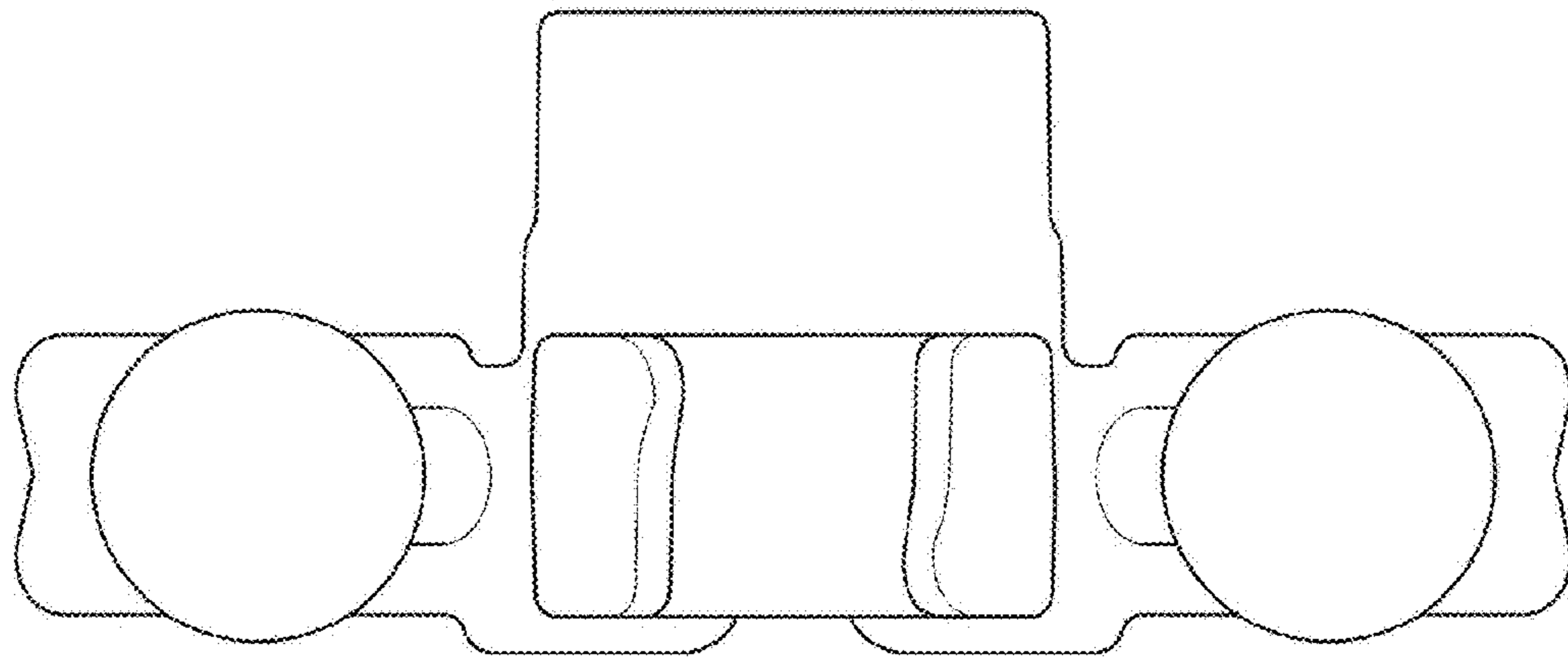


FIG. 4

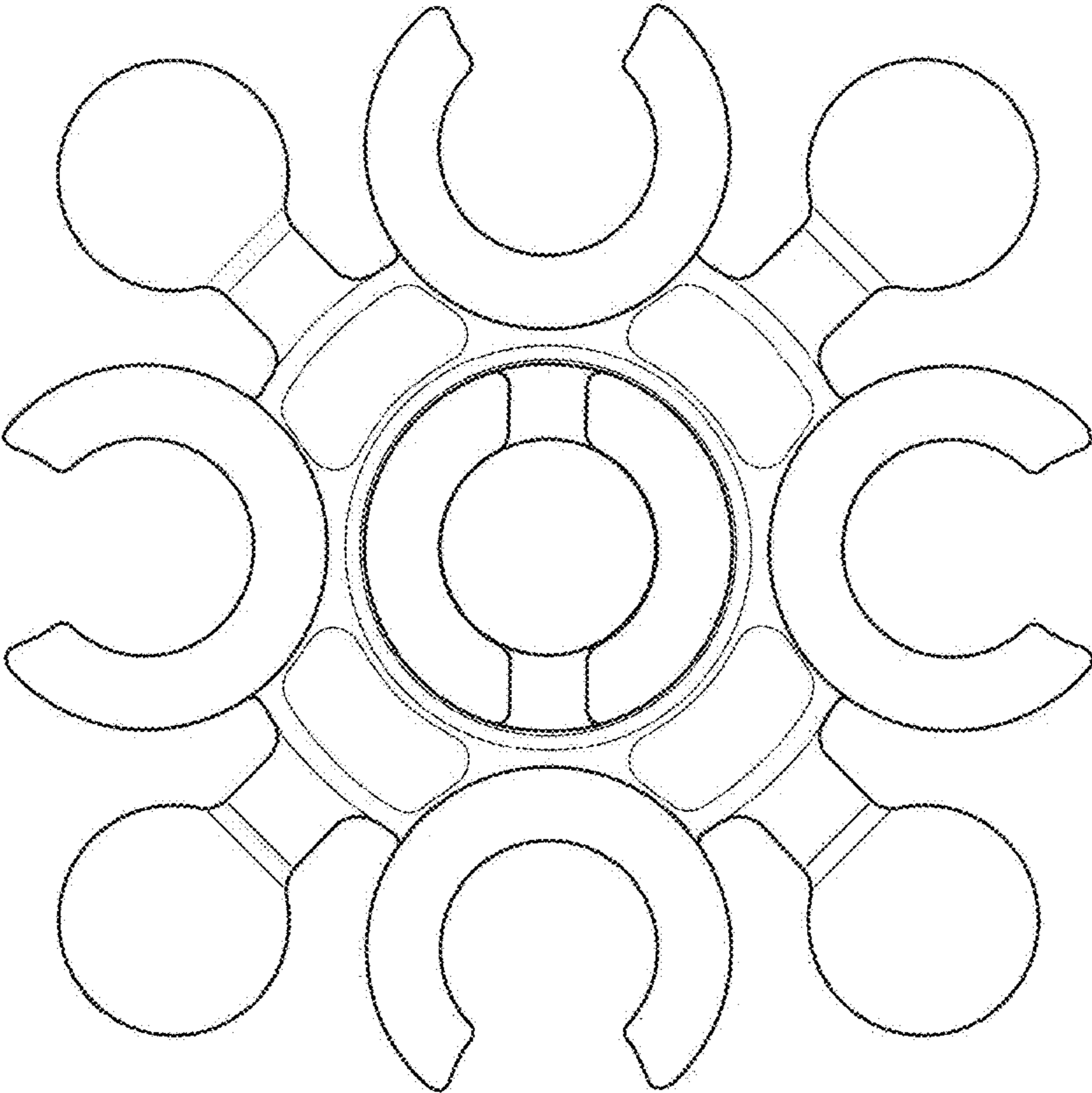


FIG. 5

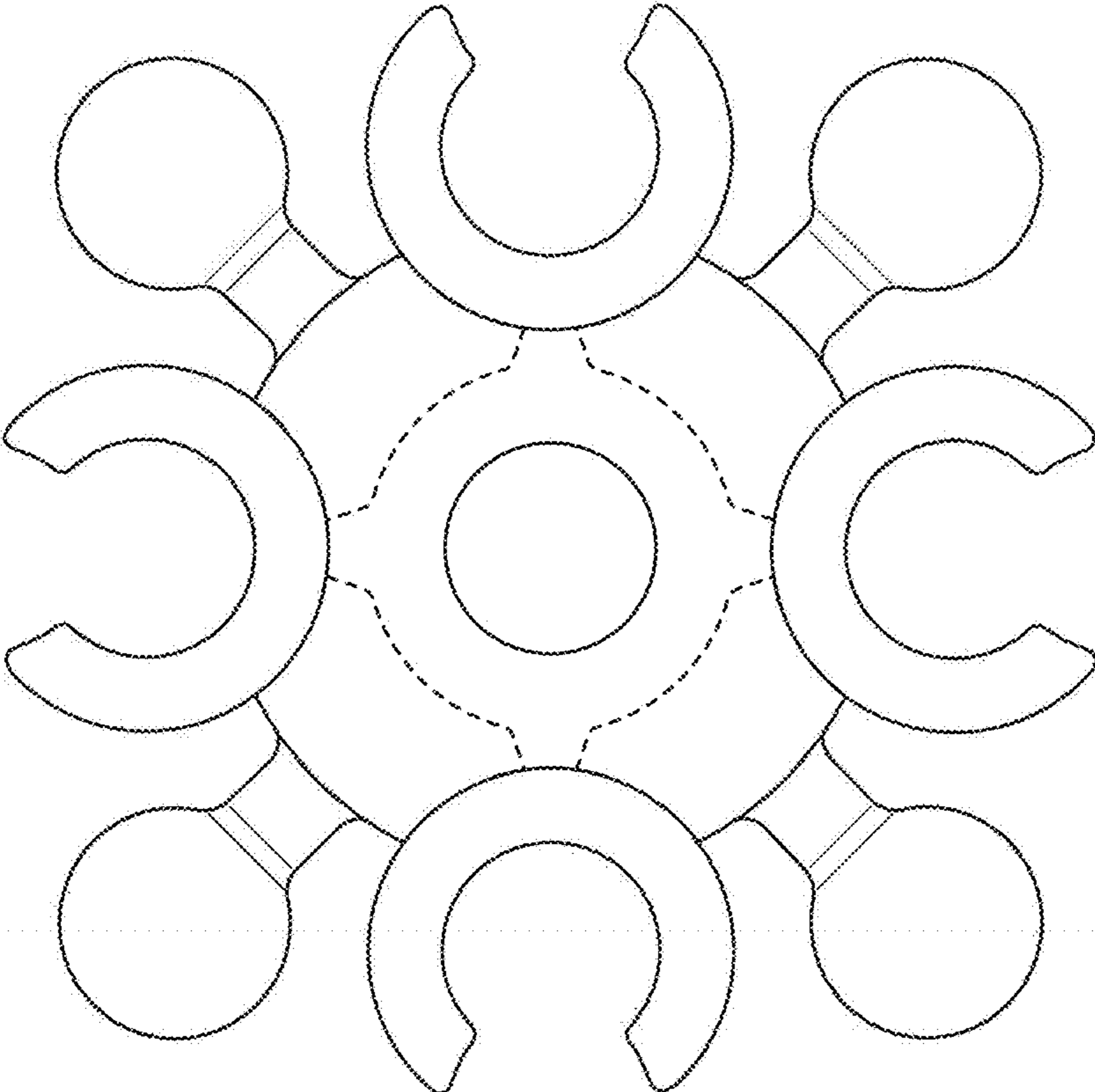


FIG. 6

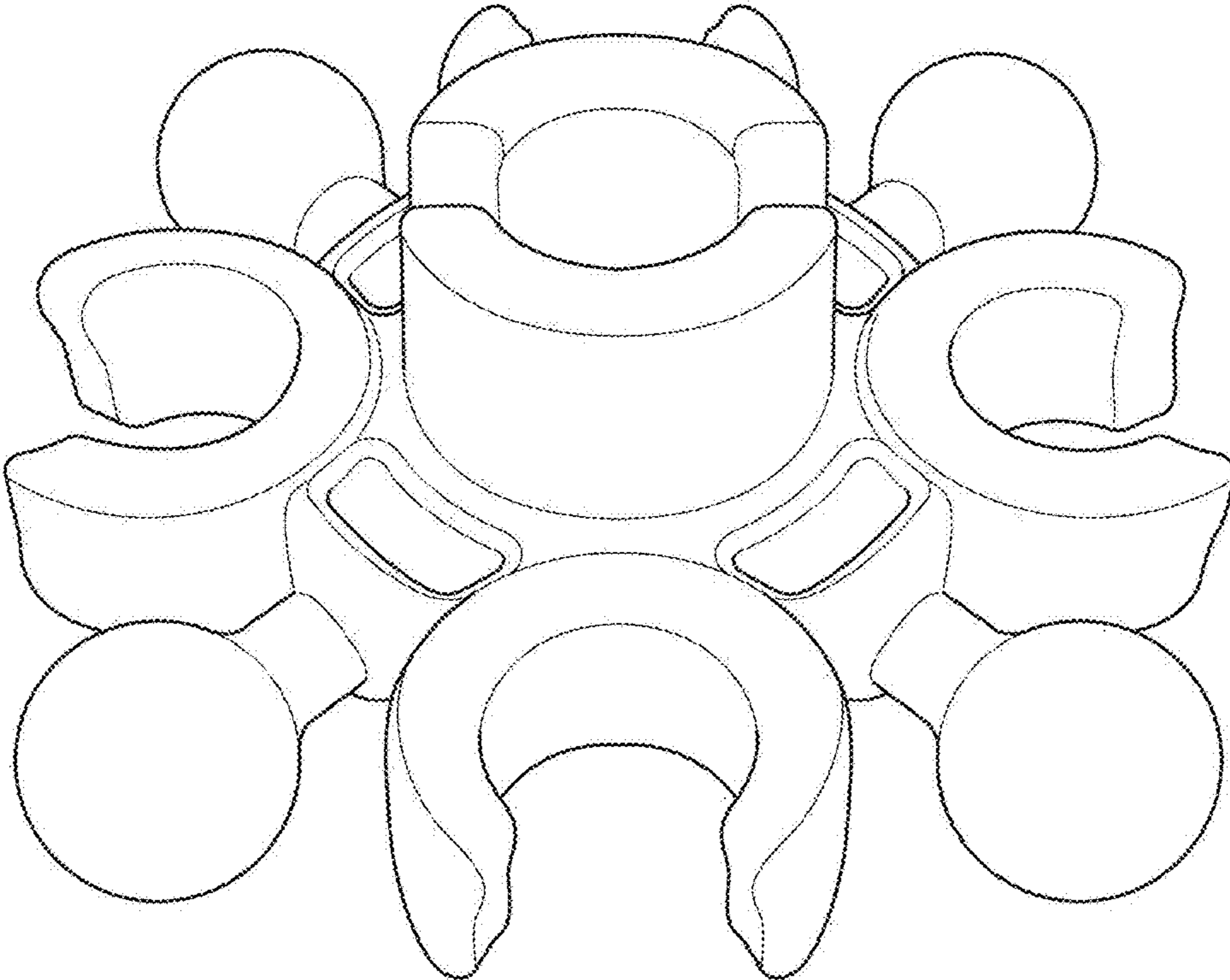


FIG. 7