



US00D745609S

(12) **United States Design Patent**
Xu

(10) **Patent No.:** **US D745,609 S**

(45) **Date of Patent:** **** Dec. 15, 2015**

(54) **HAND-PULLED RIDING TOY**

(56) **References Cited**

(71) Applicant: **Yongqiang Xu**, Zhejiang (CN)

U.S. PATENT DOCUMENTS

(72) Inventor: **Yongqiang Xu**, Zhejiang (CN)

D448,430	S	*	9/2001	Wang	D21/433
D449,081	S	*	10/2001	Chang	D21/424
6,386,304	B1	*	5/2002	Wang	180/65.1
D464,999	S	*	10/2002	Gu	D21/424
6,619,677	B2	*	9/2003	Wei	280/87.021
6,641,456	B2	*	11/2003	Wang	446/440
6,722,674	B2	*	4/2004	Gu et al.	280/87.021
6,860,497	B2	*	3/2005	Wang	280/87.021
6,875,158	B2	*	4/2005	Wang	482/51
8,567,803	B2	*	10/2013	Bao	280/218
2001/0040352	A1	*	11/2001	Wang et al.	280/87.01

(73) Assignee: **Zhejiang JinBang Sports Equipment Co., Ltd.** (CN)

(**) Term: **14 Years**

(21) Appl. No.: **29/508,936**

* cited by examiner

(22) Filed: **Nov. 12, 2014**

(30) **Foreign Application Priority Data**

Primary Examiner — Cynthia M Chin

Jul. 7, 2014 (CN) 2014 3 0225179

(51) **LOC (10) Cl.** **21-01**

(57) **CLAIM**

The ornamental design for a hand-pulled riding toy, as shown and described.

(52) **U.S. Cl.**

USPC **D21/426**

DESCRIPTION

(58) **Field of Classification Search**

USPC D21/419, 423, 424, 425, 426, 427, 428;
280/87.01, 87.021, 218, 224, 225, 232,
280/233, 242.1

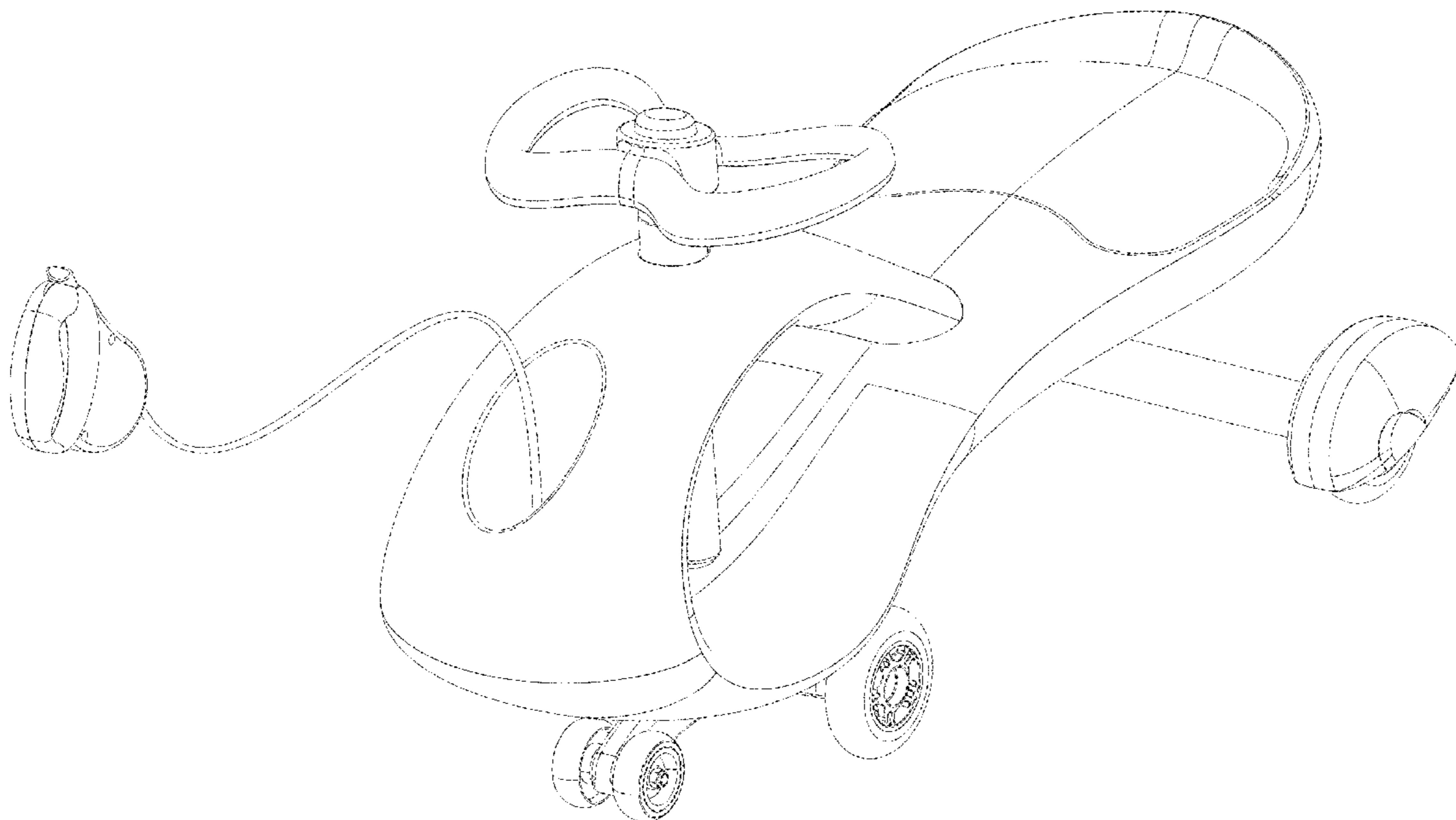
CPC A63G 13/00; A63G 13/06; A63G 13/10;
A63G 15/00; A63G 15/02; A63G 15/04;
B62B 7/00; B62B 7/002; B62B 7/004; B62B
7/006; B62B 7/008; B62B 7/02; B62B 7/04;
B62B 7/042; B62B 7/044; B62B 7/06; B62B
7/12; B62B 7/126; B62B 7/14; B62B 7/142;
B62B 7/145; B62B 7/147; B62B 9/00; B62B
9/28

FIG. 1 is a perspective view of one embodiment of the hand-pulled riding toy showing my new design; FIG. 2 is another perspective view thereof; FIG. 3 is a front elevation view thereof; FIG. 4 is a back elevation view thereof; FIG. 5 is a left elevation view thereof; FIG. 6 is a right elevation view thereof; FIG. 7 is an upward plan view thereof; and, FIG. 8 is a downward plan view thereof.

The broken lines represent portions of the article that form no part of the claim.

See application file for complete search history.

1 Claim, 8 Drawing Sheets



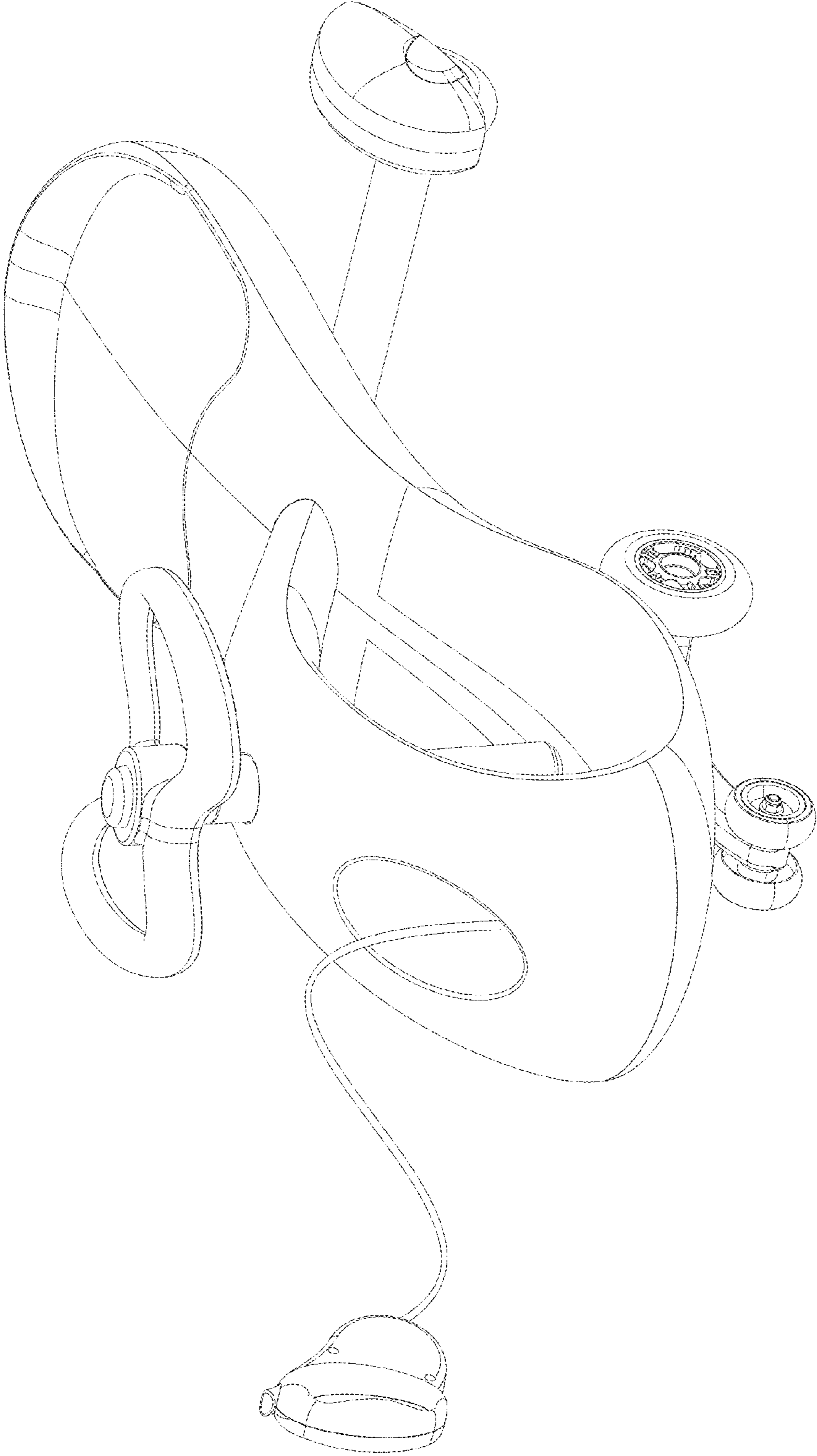


Fig. 1

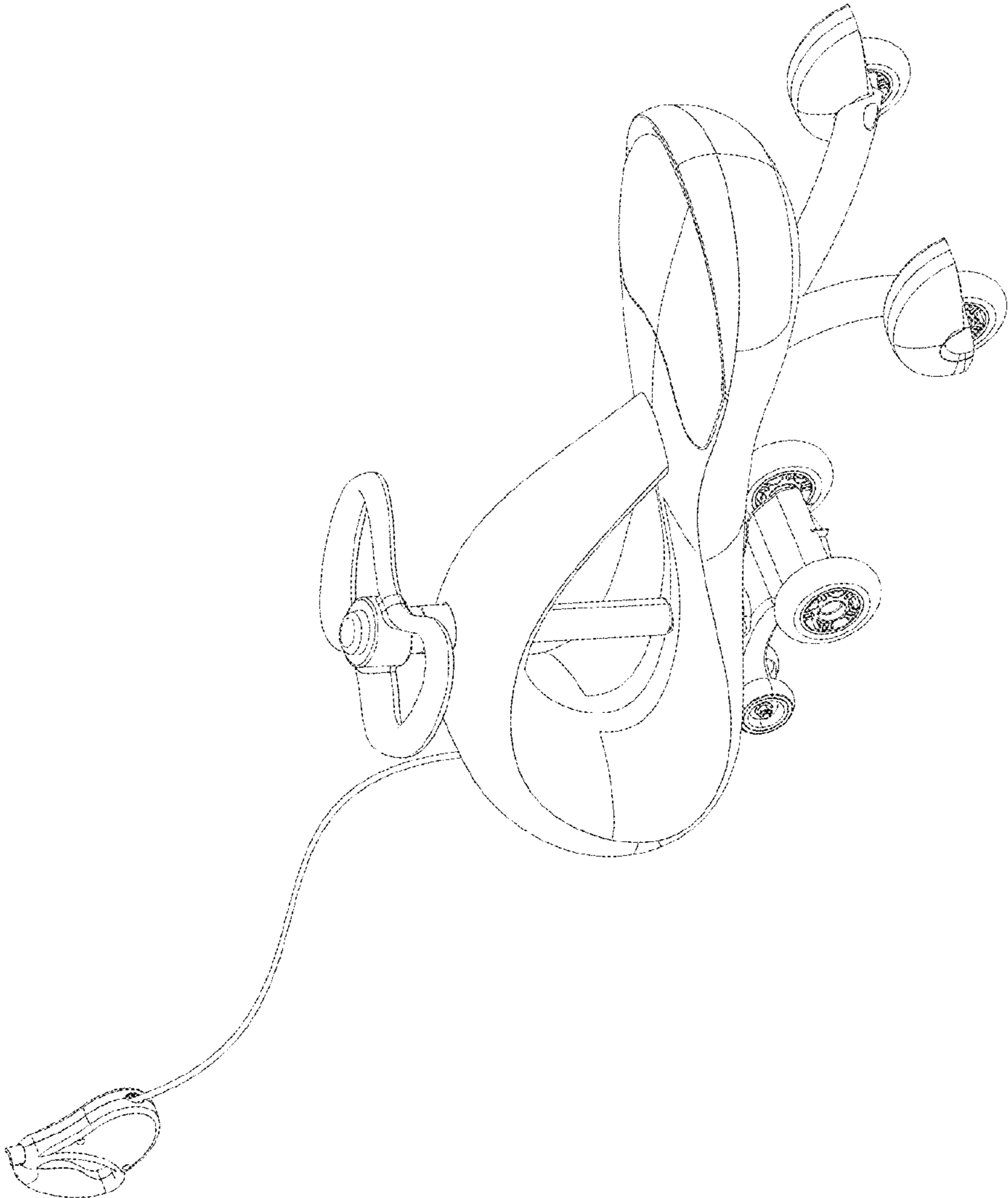


Fig. 2

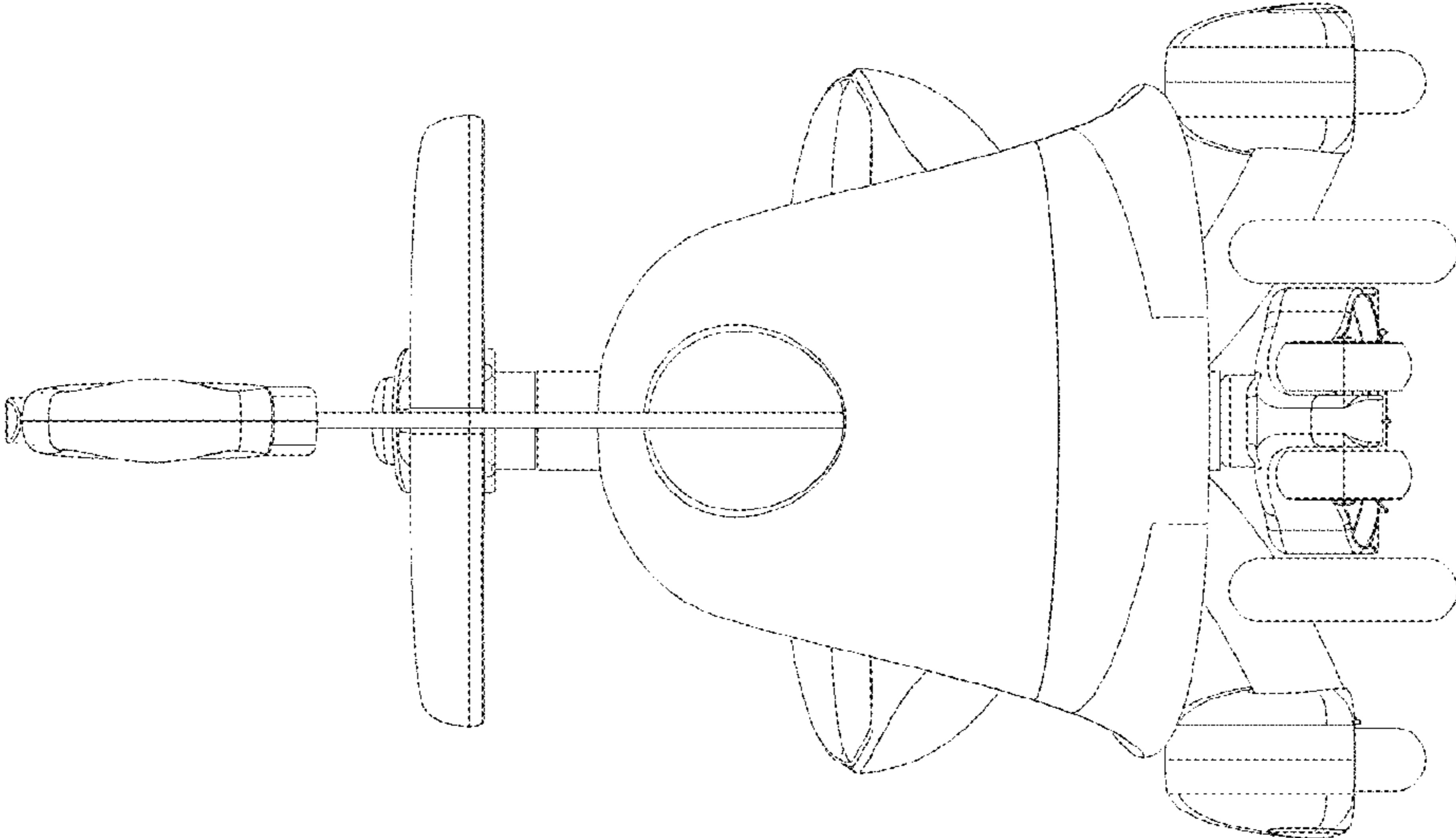


Fig. 3

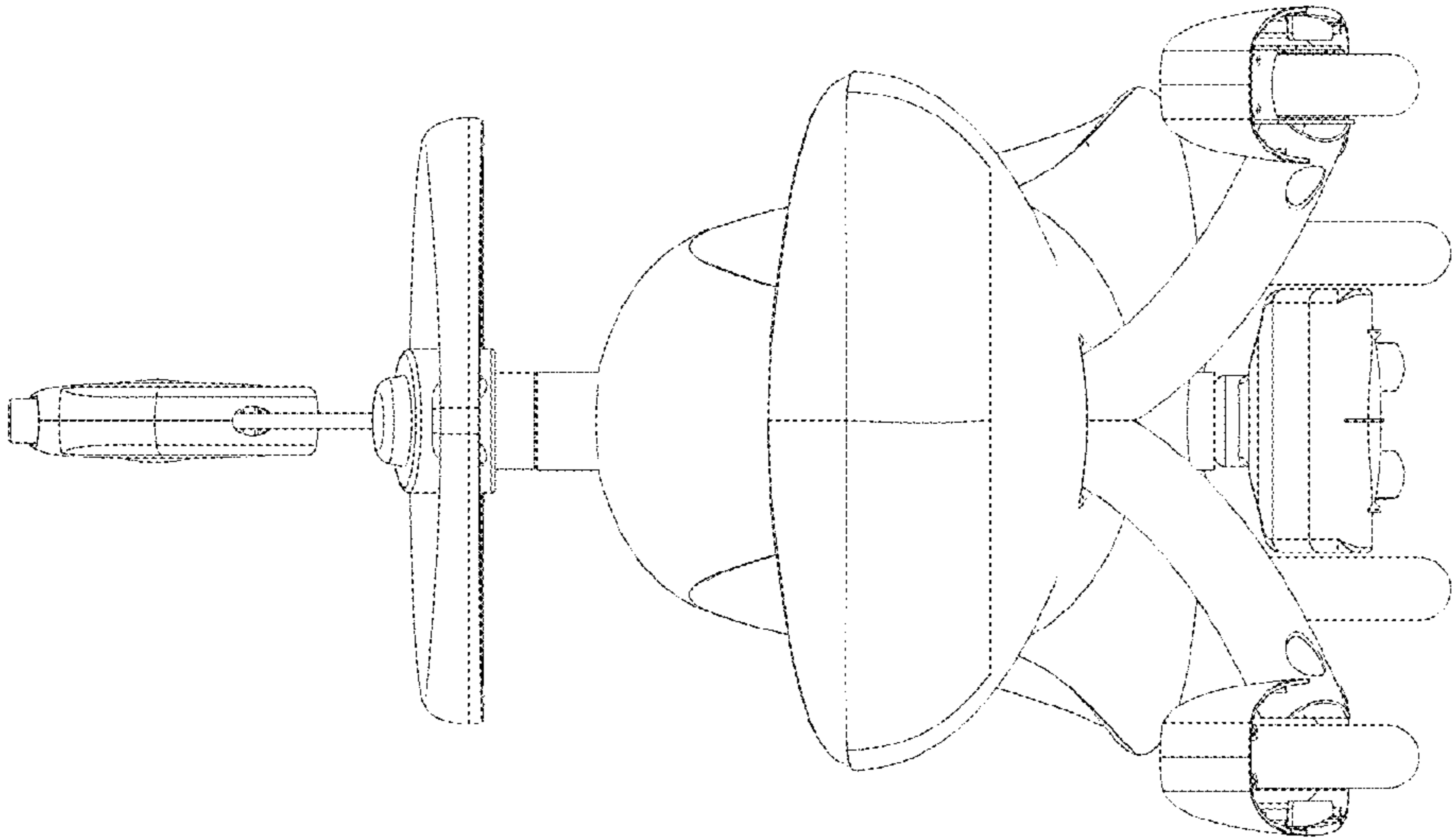


Fig. 4

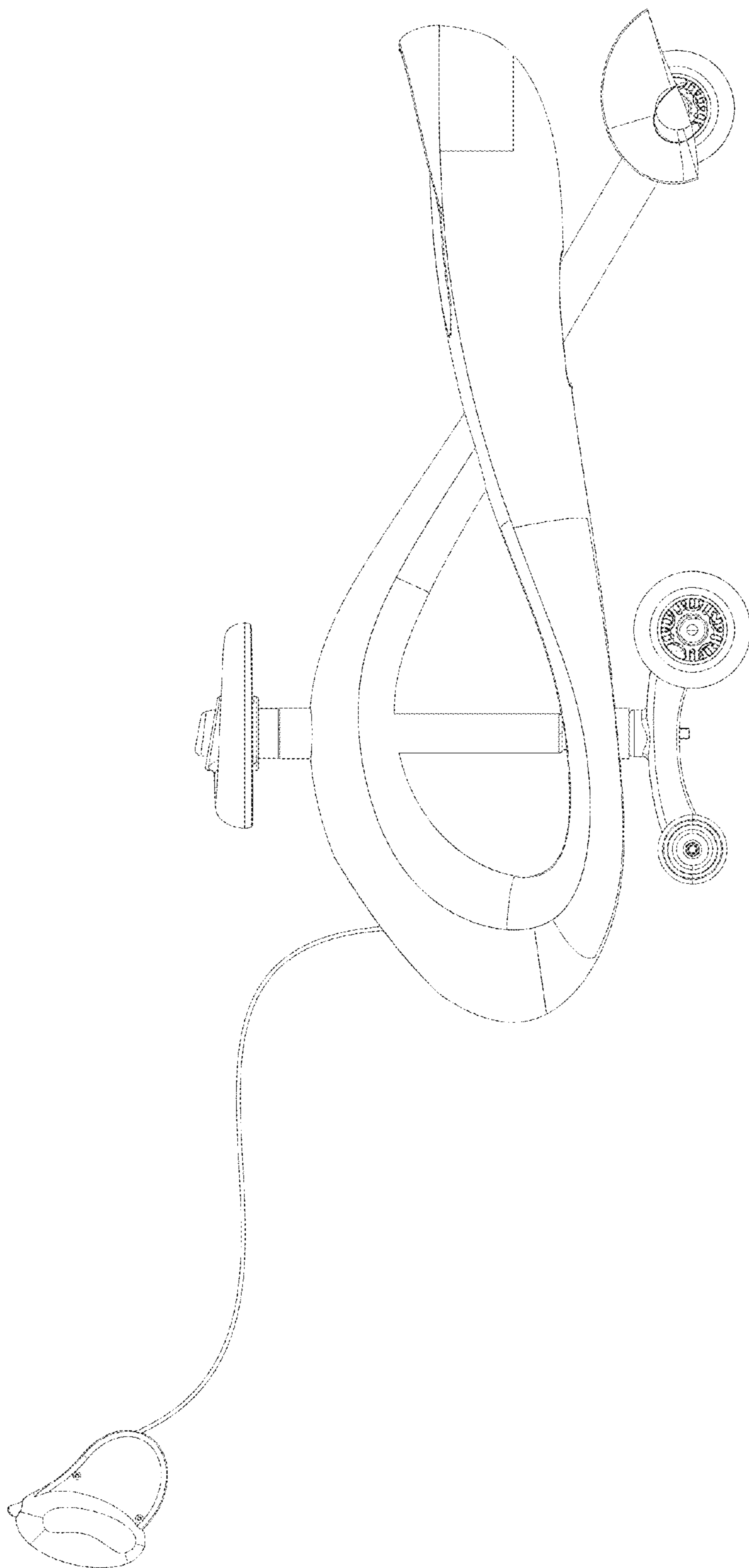


Fig. 5

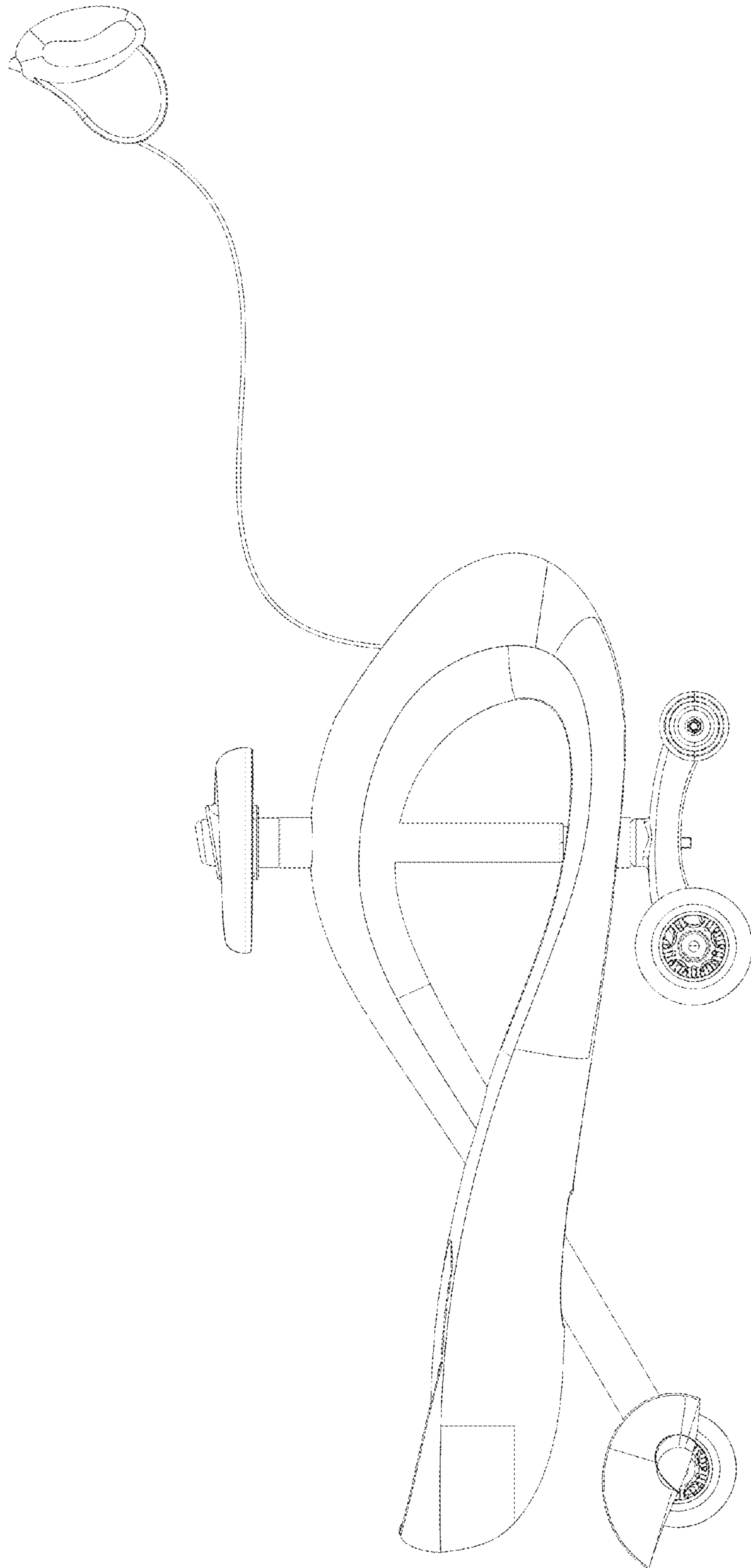


Fig. 6

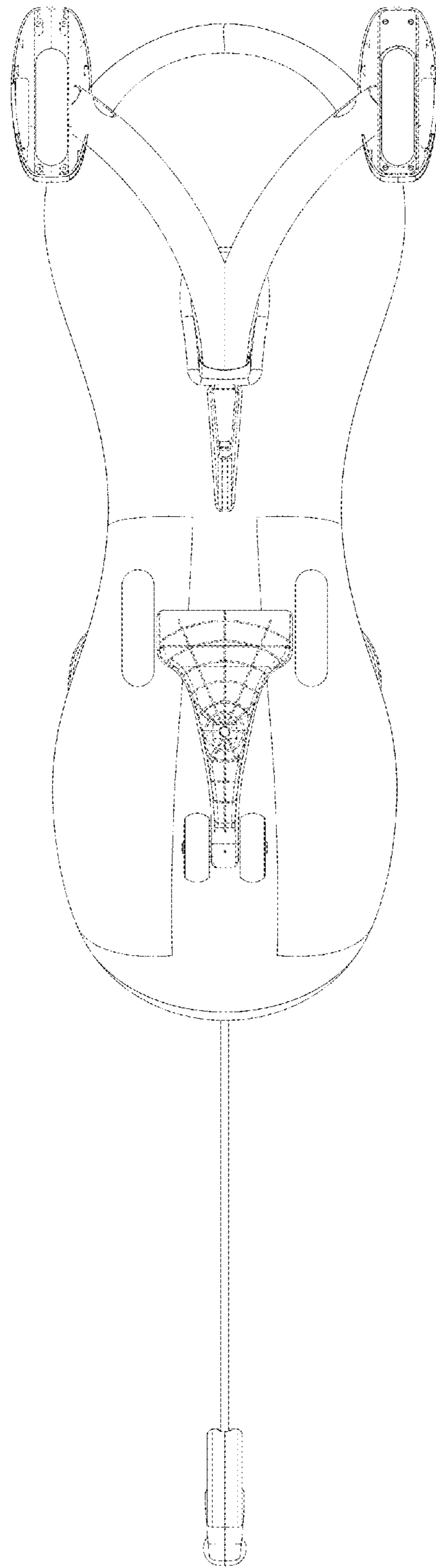


Fig. 7

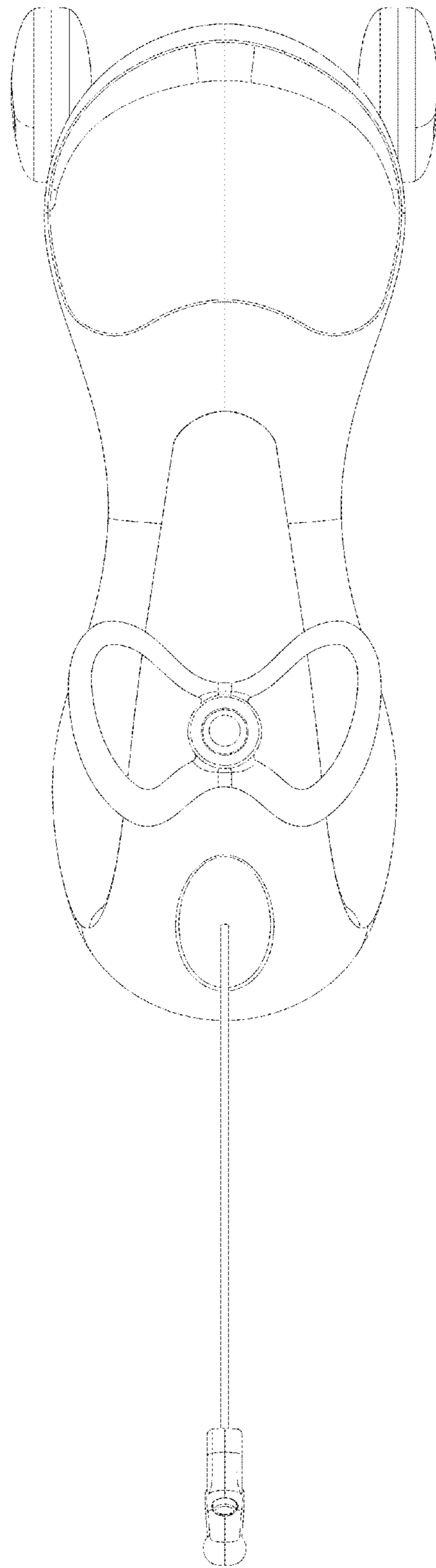


Fig. 8