



US00D745607S

(12) **United States Design Patent**
Jones

(10) **Patent No.:** **US D745,607 S**
(45) **Date of Patent:** **** Dec. 15, 2015**

- (54) **GAME CONTROLLER**
- (71) Applicant: **Google Inc.**, Mountain View, CA (US)
- (72) Inventor: **Christopher Jones**, San Francisco, CA (US)
- (73) Assignee: **GOOGLE INC.**, Mountain View, CA (US)
- (**) Term: **14 Years**
- (21) Appl. No.: **29/494,273**
- (22) Filed: **Jun. 19, 2014**
- (51) **LOC (10) Cl.** **21-01**
- (52) **U.S. Cl.**
USPC **D21/333**; D14/401
- (58) **Field of Classification Search**
USPC D14/399-401, 412-418; 273/148 B;
463/1, 29-39, 46, 47; 345/156-161,
345/905; D21/333, 328
CPC A63F 13/02; A63F 9/24; A63F 13/12;
A63F 9/00; A63F 11/00; A63F 71/00; G06F
3/02; G06F 3/033; G09G 5/00
See application file for complete search history.

- D700,182 S * 2/2014 Kidakarn D14/401
- D708,615 S * 7/2014 Delrue et al. D14/401
- D709,882 S * 7/2014 Morris et al. D14/401
- D715,296 S * 10/2014 Huang D14/401

* cited by examiner

Primary Examiner — Prabhakar Deshmukh
(74) *Attorney, Agent, or Firm* — Morris & Kamlay LLP

(57) **CLAIM**
The ornamental design for a game controller, as shown and described.

DESCRIPTION

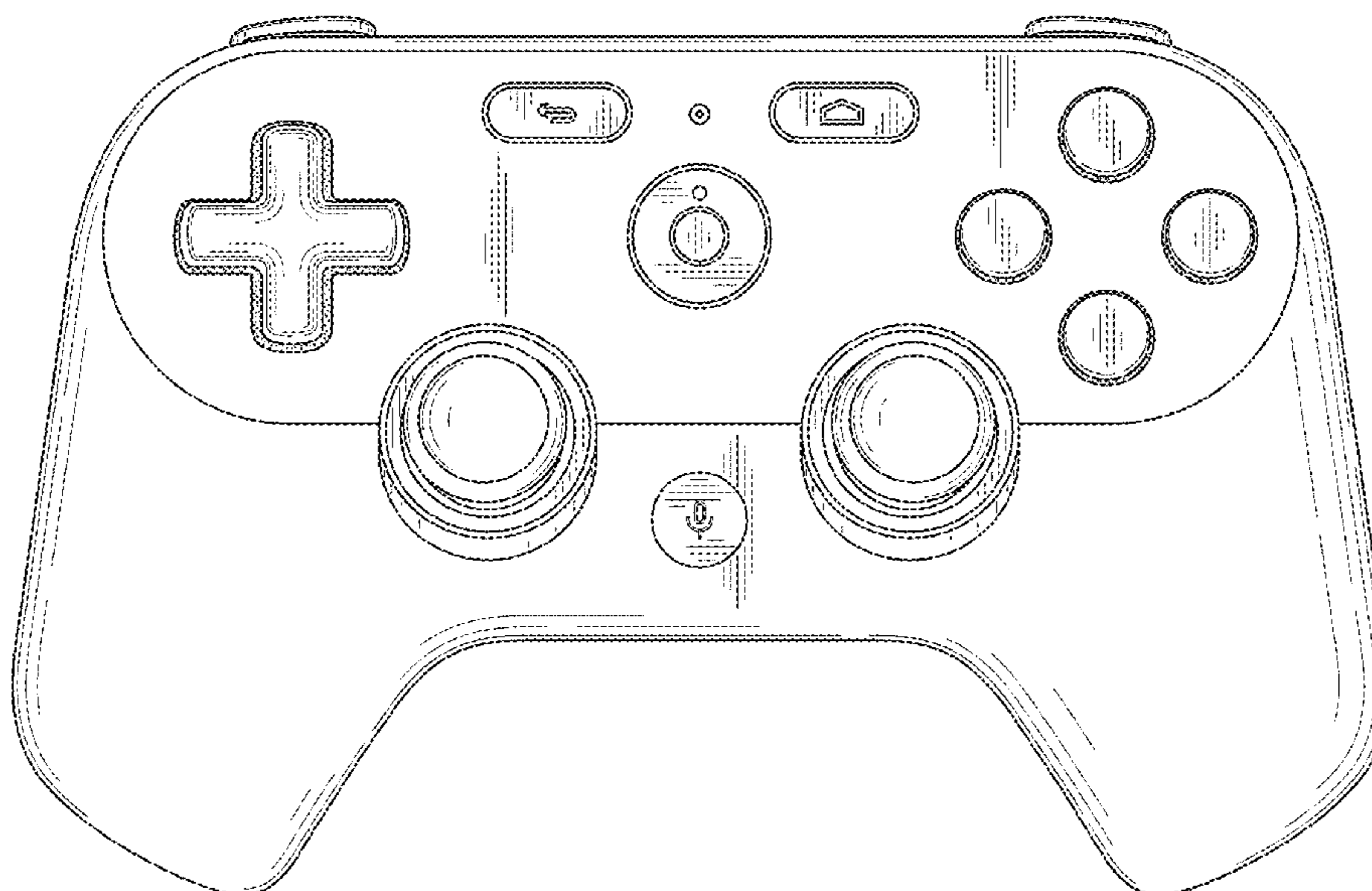
FIG. 1 is a top plan view of a game controller showing my new design;
 FIG. 2 is a top plan view of a second embodiment of a game controller, with the contrasting transparent surface to the controls and the surface therein;
 FIG. 3 is a third embodiment of a game controller, with the contrasting surface to the body of a game controller;
 FIG. 4 is a fourth embodiment of a game controller, with another contrasting surface to the body of a game controller;
 FIG. 5 is a top and front perspective view of FIG. 1;
 FIG. 6 is a rear perspective view of FIG. 1;
 FIG. 7 is a top and rear perspective view of FIG. 1, with a battery compartment being separated from the body of a game controller;
 FIG. 8 is a bottom plan view of FIG. 1;
 FIG. 9 is a bottom plan view of FIG. 1, with battery compartment being removed from the body of a game controller; and,
 FIG. 10 is a rear view of FIG. 9.
 The broken lines of the battery in FIG. 7 are for illustrative purpose and form no part of the claimed design.

(56) **References Cited**

U.S. PATENT DOCUMENTS

- 6,231,444 B1 * 5/2001 Goto et al. 463/37
- 6,743,100 B1 * 6/2004 Neiser 463/37
- 7,063,321 B2 * 6/2006 Hussaini et al. 273/148 B
- D620,939 S * 8/2010 Suetake et al. D14/401
- D638,016 S * 5/2011 Ikeda D14/401
- D685,434 S * 7/2013 Ali et al. D21/333
- D694,830 S * 12/2013 Crowley et al. D21/333

1 Claim, 10 Drawing Sheets



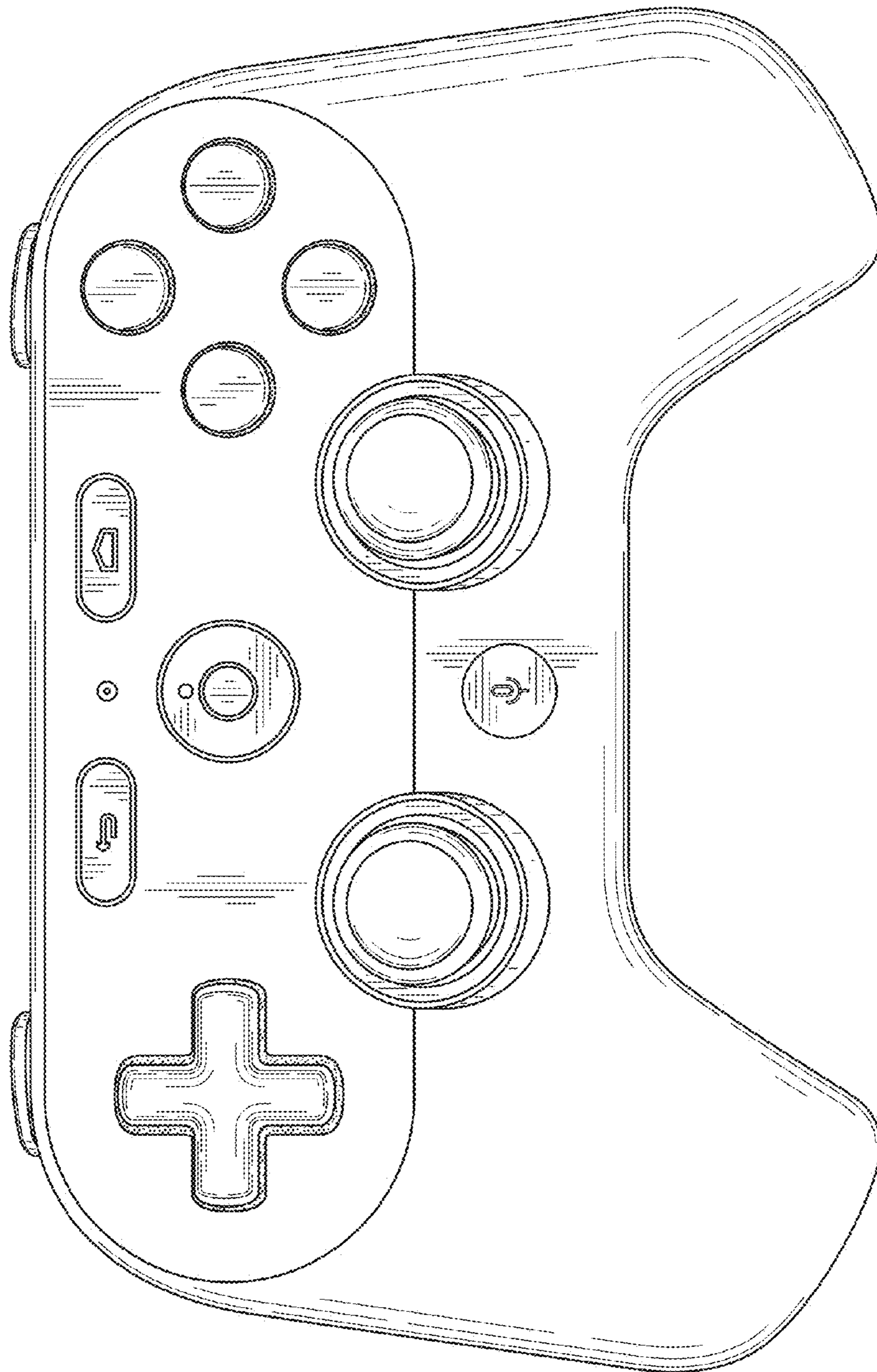


FIG. 1

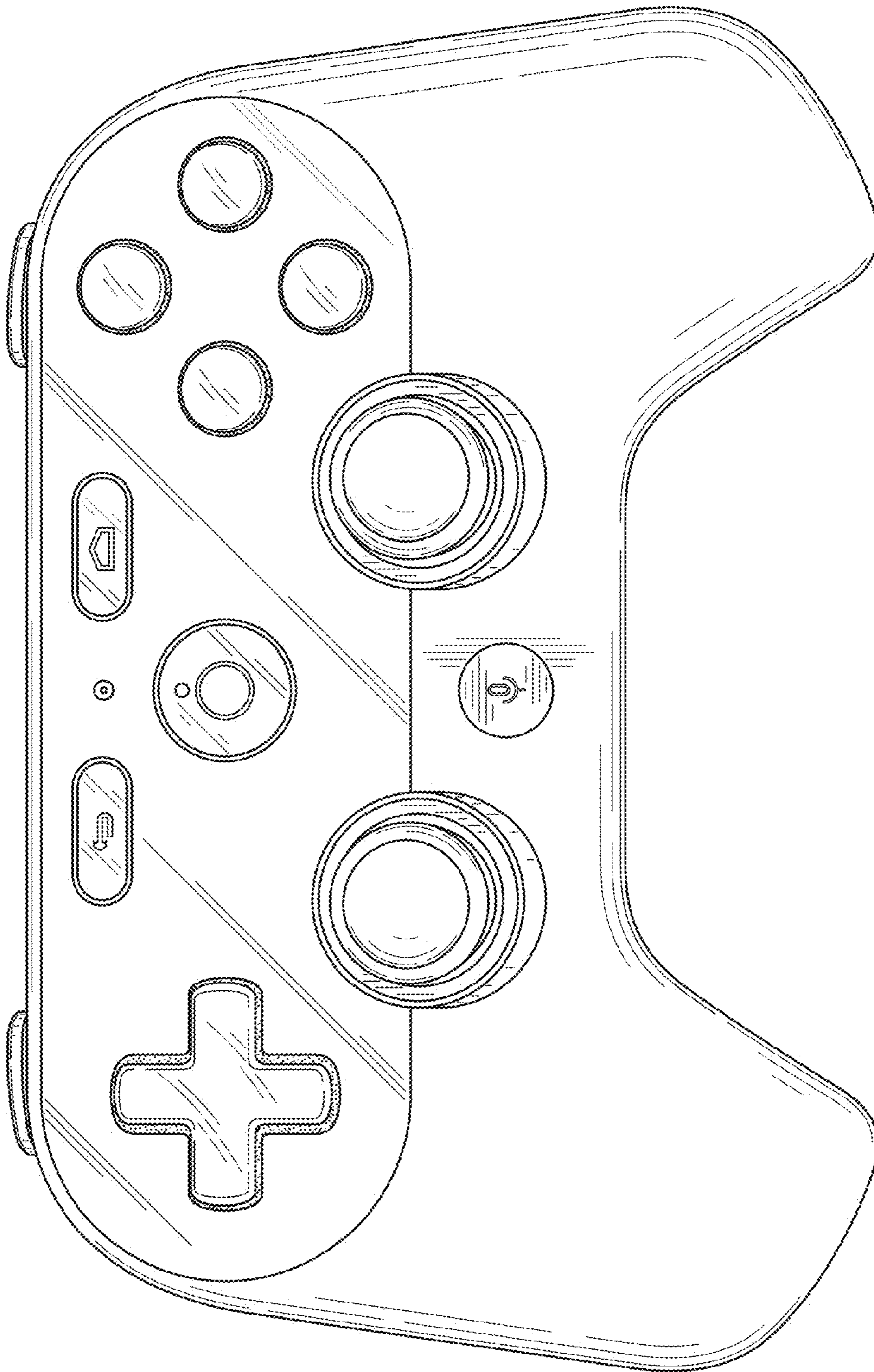


FIG. 2

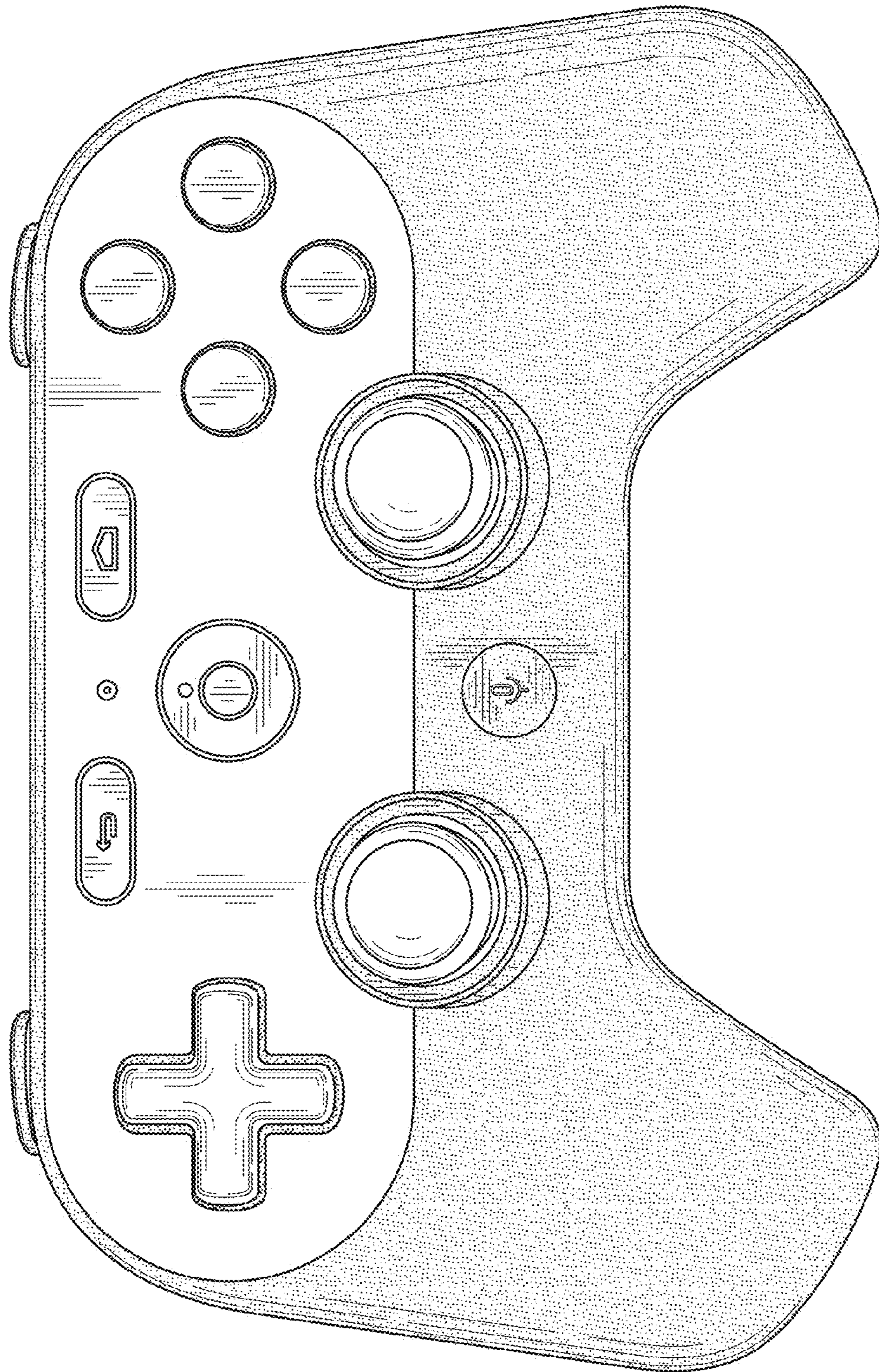


FIG. 3

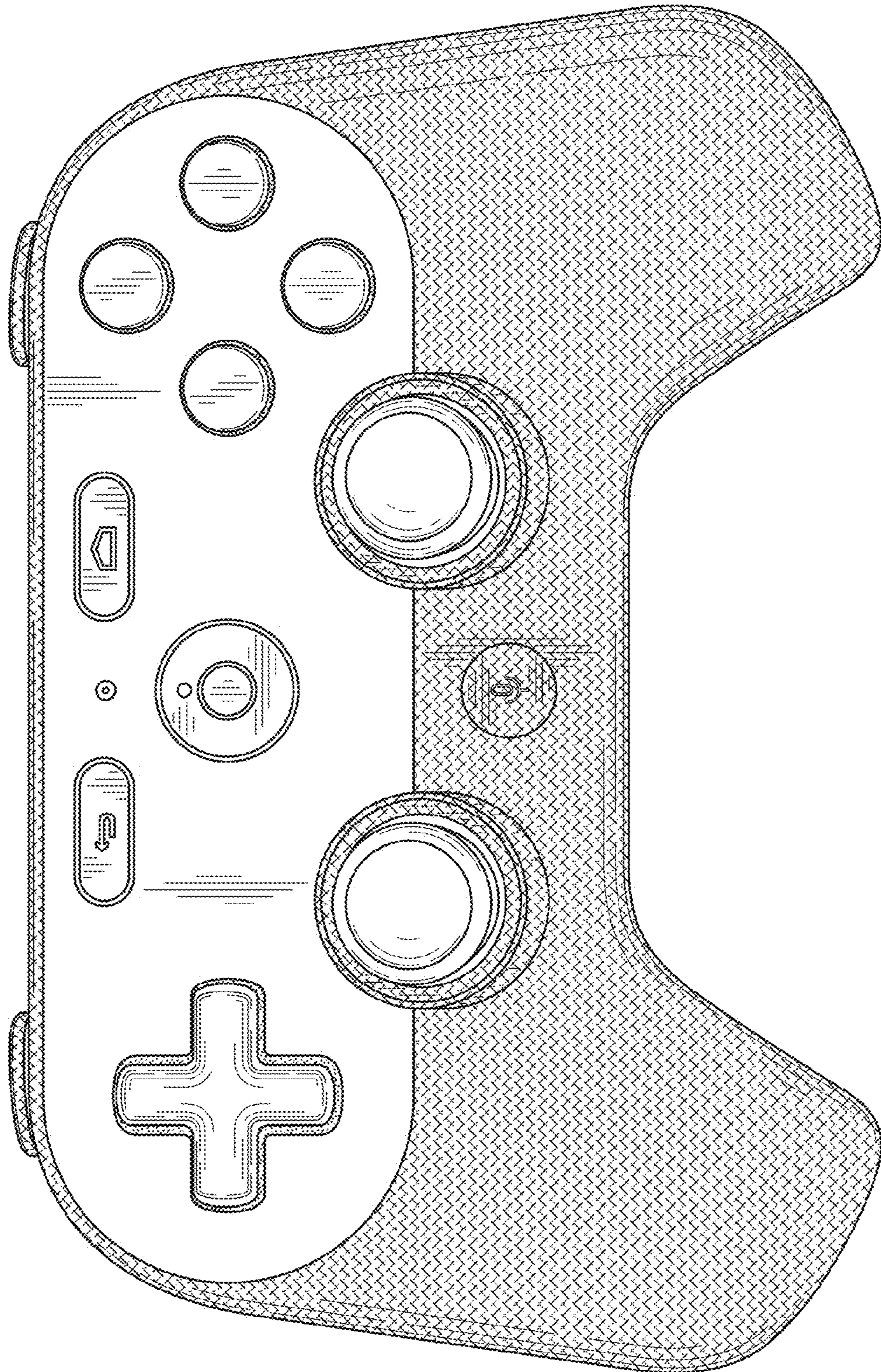


FIG. 4

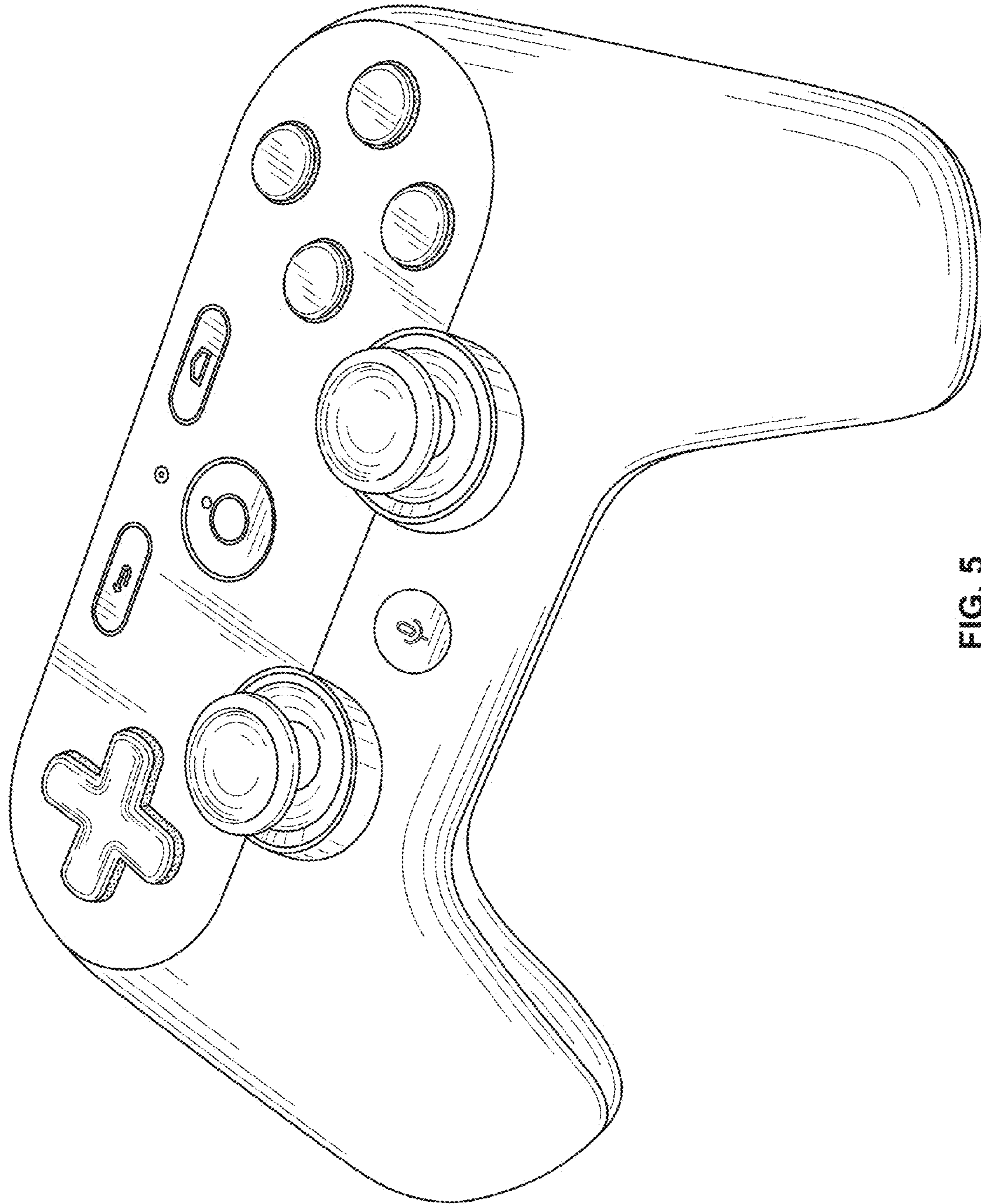


FIG. 5

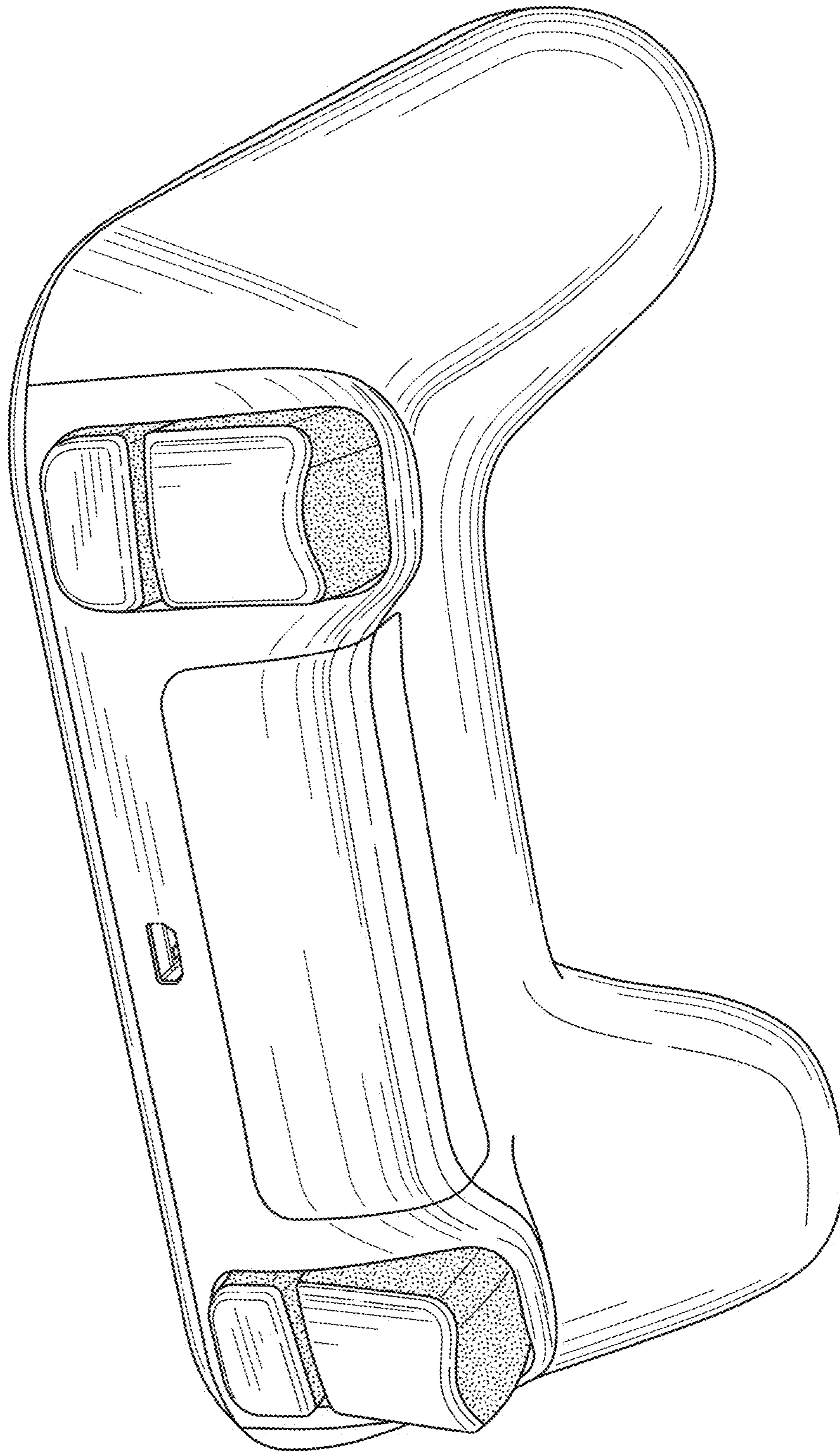


FIG. 6

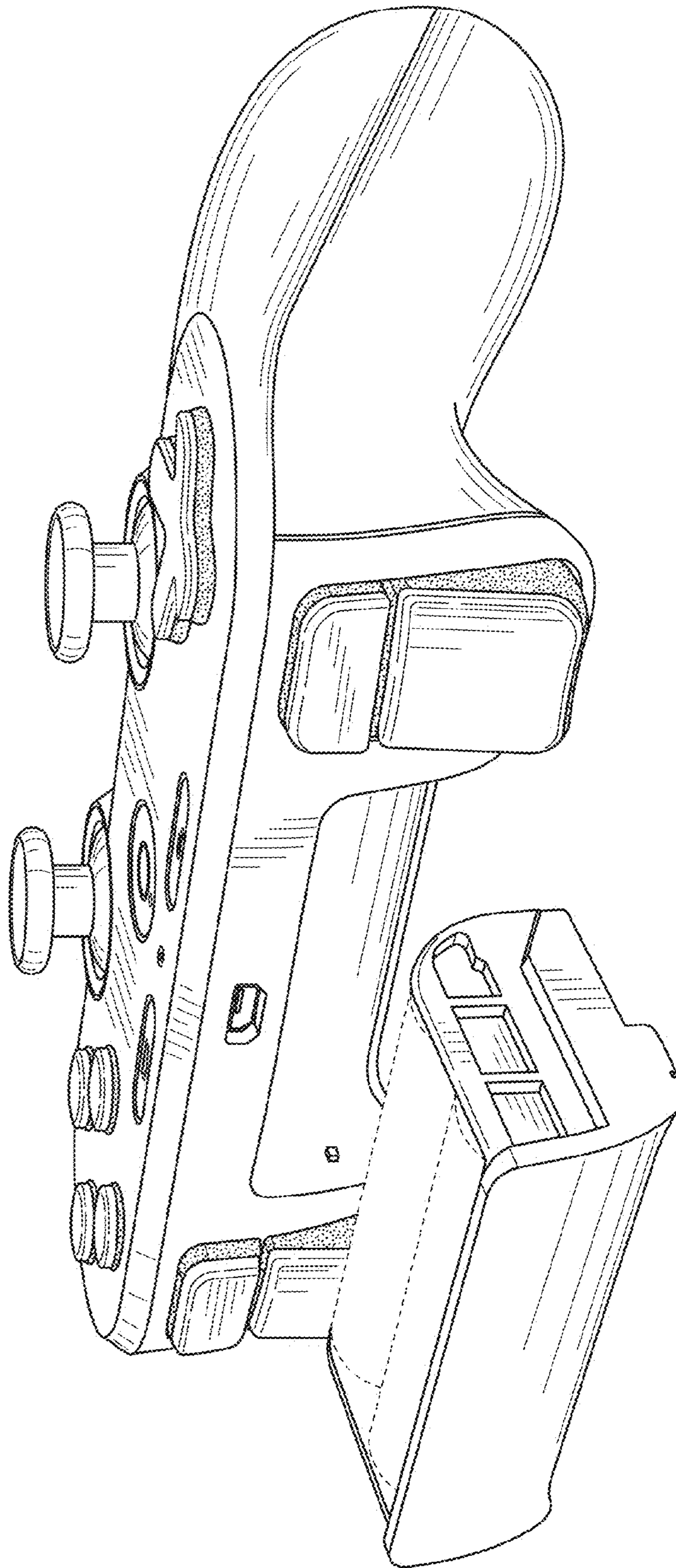


FIG. 7

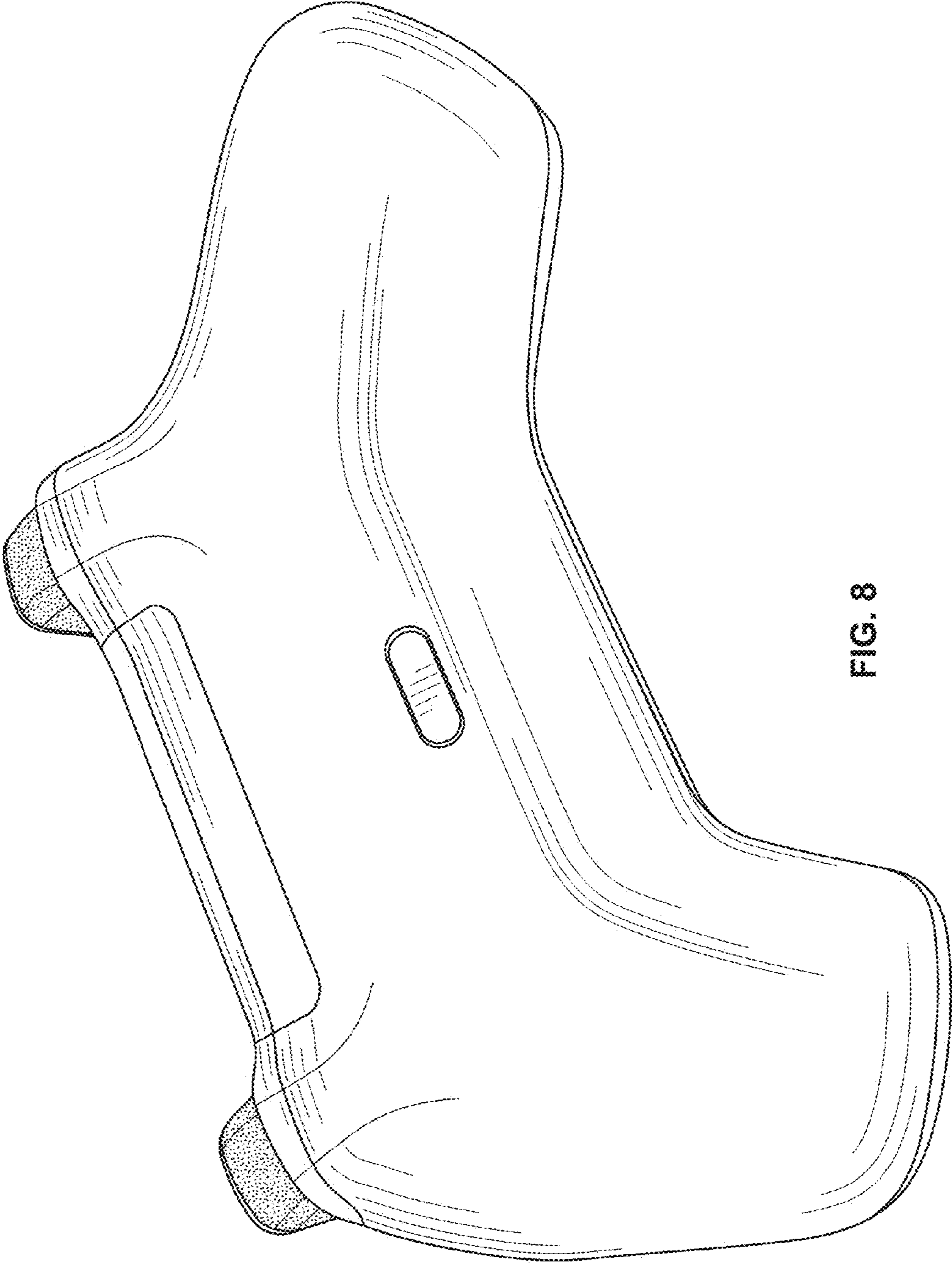


FIG. 8

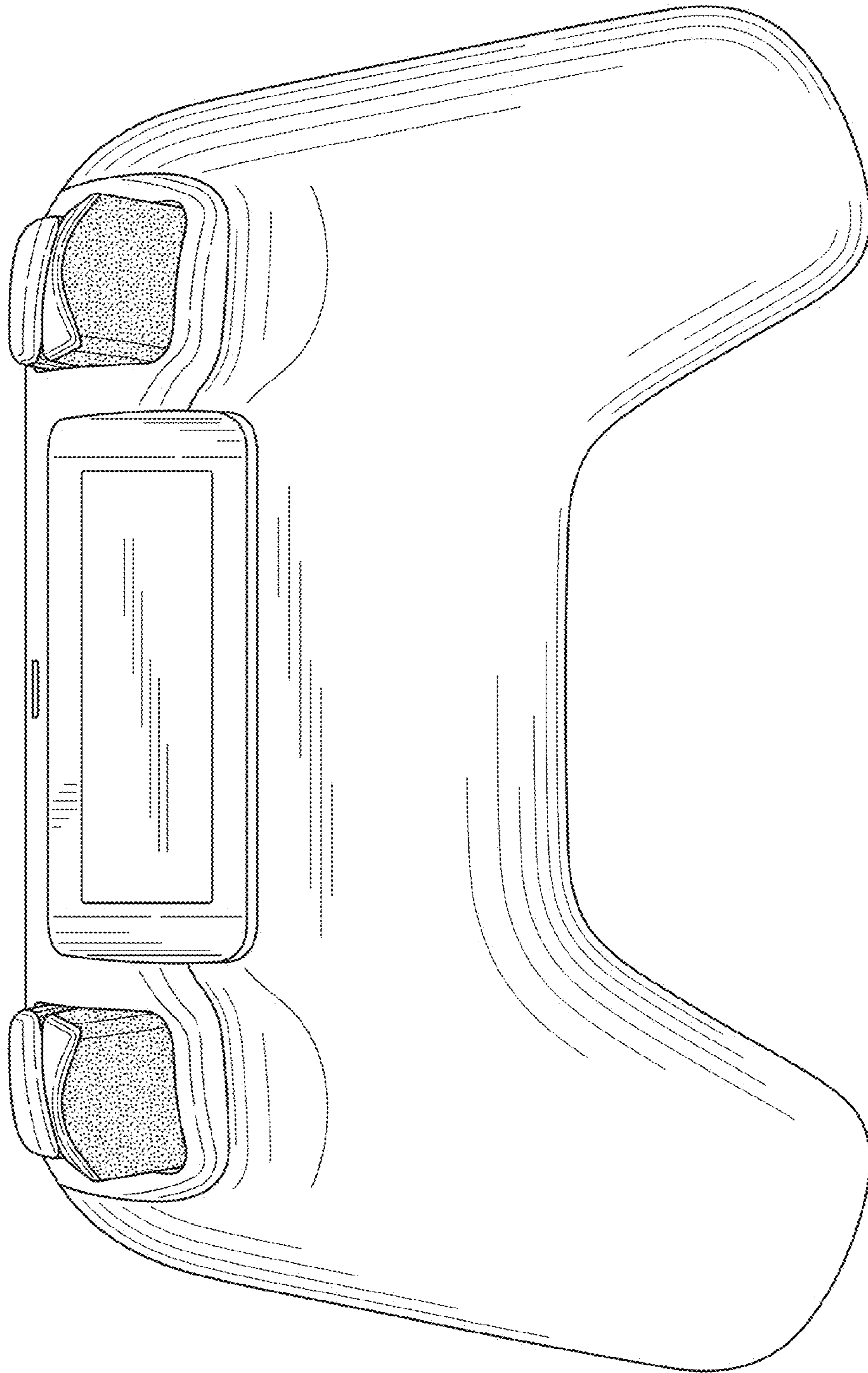


FIG. 9

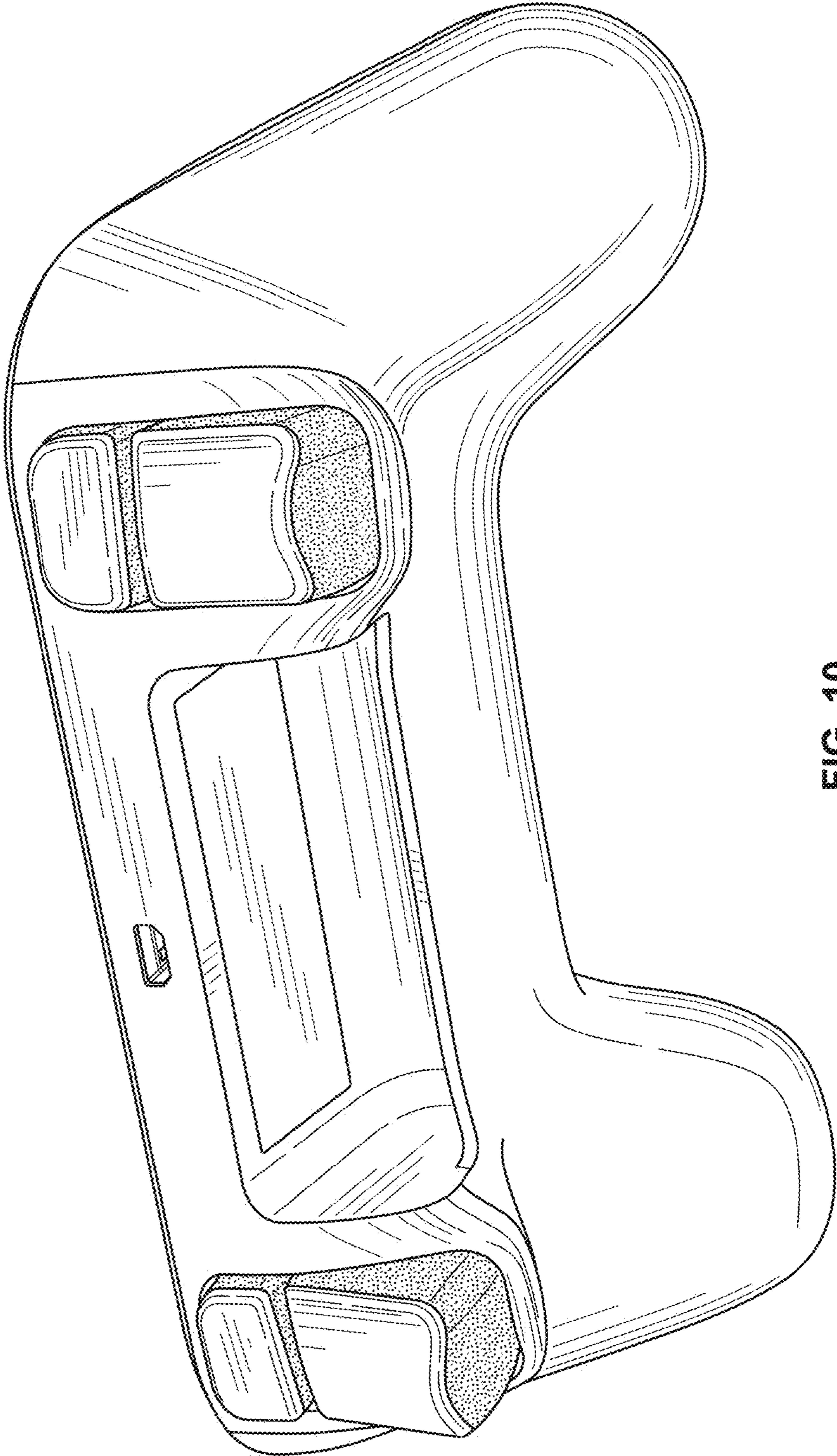


FIG. 10