



US00D745604S

(12) **United States Design Patent**
Magaudda

(10) **Patent No.:** **US D745,604 S**
(45) **Date of Patent:** **** Dec. 15, 2015**

(54) **SLANT BOARD**

248/451

(71) Applicant: **Paul Magaudda**, La Jolla, CA (US)

(72) Inventor: **Paul Magaudda**, La Jolla, CA (US)

(**) Term: **14 Years**

(21) Appl. No.: **29/497,013**

(22) Filed: **Jul. 20, 2014**

Related U.S. Application Data

(63) Continuation of application No. 12/657,001, filed on Jan. 11, 2010.

(51) **LOC (10) Cl.** **19-02**

(52) **U.S. Cl.**
USPC **D19/88**

(58) **Field of Classification Search**
USPC D19/86, 87, 88, 89, 90, 91, 92
CPC B42F 9/001; B42F 9/002; B42F 9/004;
B43L 3/005; B43L 5/02; B42D 5/005; B42D
5/006; B42D 5/007; B42D 5/008
See application file for complete search history.

(56) **References Cited**

U.S. PATENT DOCUMENTS

- 1,781,782 A * 11/1930 Kemp B42D 5/005
211/45
- 4,375,296 A * 3/1983 Chang B43L 3/004
211/45
- 4,403,761 A 9/1983 Jamar
- D284,084 S * 6/1986 Ferrara, Jr. D14/389
- 4,645,163 A * 2/1987 Zovar A47B 23/042
108/1
- 4,667,919 A 5/1987 Teague
- D335,227 S * 5/1993 Lapsker D14/142
- D379,477 S * 5/1997 Shamoon D19/78
- D398,650 S * 9/1998 Shamoon D19/65
- D399,368 S 10/1998 Herrera
- 5,829,787 A 11/1998 Newhouse, Jr.
- 5,887,902 A * 3/1999 Irwin B42F 9/001

- 6,007,891 A 12/1999 Davis et al.
- 6,213,439 B1 4/2001 Giulie et al.
- 6,435,466 B1 8/2002 Adams
- 6,568,650 B2 5/2003 Helmsie et al.
- D475,748 S * 6/2003 Shamoon D19/78
- 6,634,614 B1 * 10/2003 Page A47B 23/004
248/452
- D487,579 S * 3/2004 Chen D19/88
- D492,358 S * 6/2004 Chen D19/65
- D500,800 S * 1/2005 Shamoon D19/78
- D510,389 S * 10/2005 Shamoon D19/78
- 7,017,878 B2 3/2006 Guo et al.
- 7,185,869 B2 3/2007 Smith
- D540,330 S * 4/2007 Eyman D14/451
- 7,255,566 B2 8/2007 Galbraith Coates
- D575,826 S * 8/2008 Chen D19/88
- D586,400 S * 2/2009 Shamoon D19/88
- 7,568,915 B1 8/2009 Lavole
- D599,856 S * 9/2009 Chen D19/88
- D647,969 S * 11/2011 Shamoon D19/88

(Continued)

Primary Examiner — Elizabeth Albert

(74) *Attorney, Agent, or Firm* — Mark R. Huebscher;
TechLaw LLP

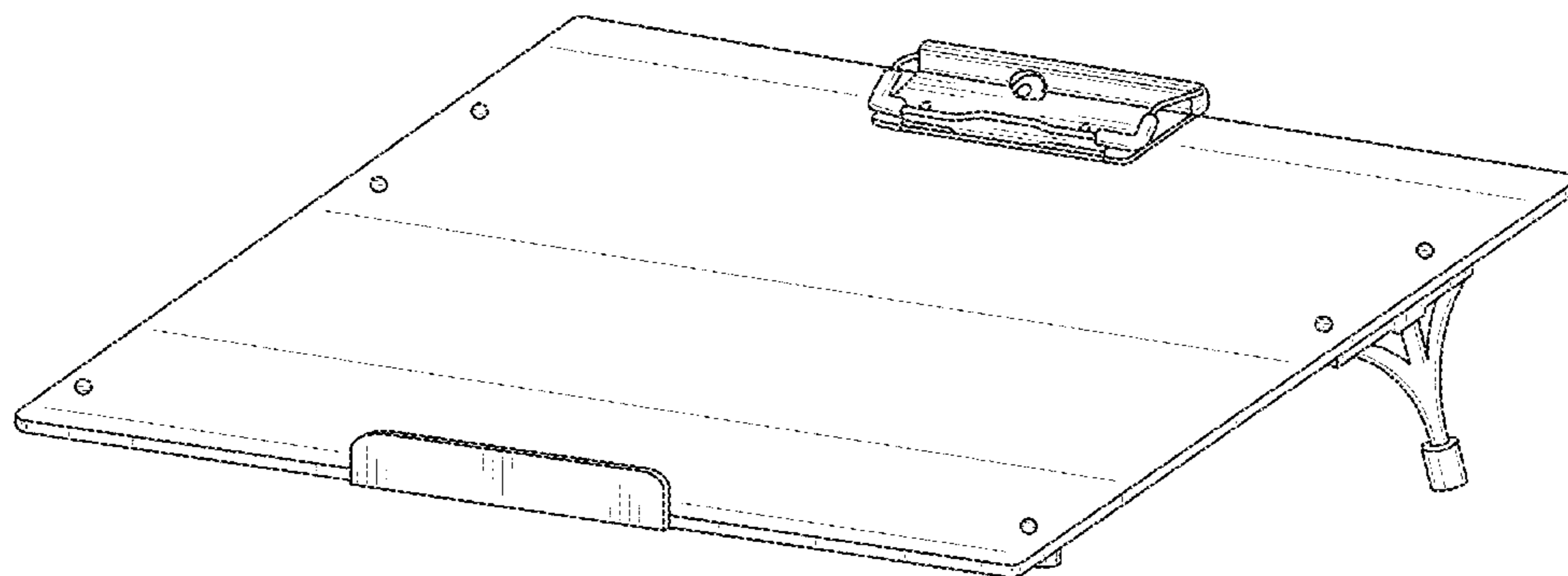
(57) **CLAIM**

The ornamental design for a slant board, as shown and described.

DESCRIPTION

FIG. 1 is a perspective view of an slant board showing our new design;
FIG. 2 is a front elevation view thereof;
FIG. 3 is a rear elevation view thereof;
FIG. 4 is right side elevation view thereof;
FIG. 5 is a left side elevation view thereof;
FIG. 6 is a top plan view thereof;
FIG. 7 is a bottom plan view thereof; and,
FIG. 8 is a bottom plan view showing the legs in the folded position.

1 Claim, 8 Drawing Sheets



US D745,604 S

Page 2

(56)

References Cited

U.S. PATENT DOCUMENTS

D692,490 S * 10/2013 Hwung D19/88
D692,949 S * 11/2013 Shamoon D19/88
D697,135 S * 1/2014 Tsai D19/88

D702,762 S * 4/2014 Small D19/88
D711,466 S * 8/2014 Huang D19/88
2008/0248456 A1 10/2008 Cheris et al.
2012/0091308 A1* 4/2012 Small B42F 9/001
248/452

* cited by examiner

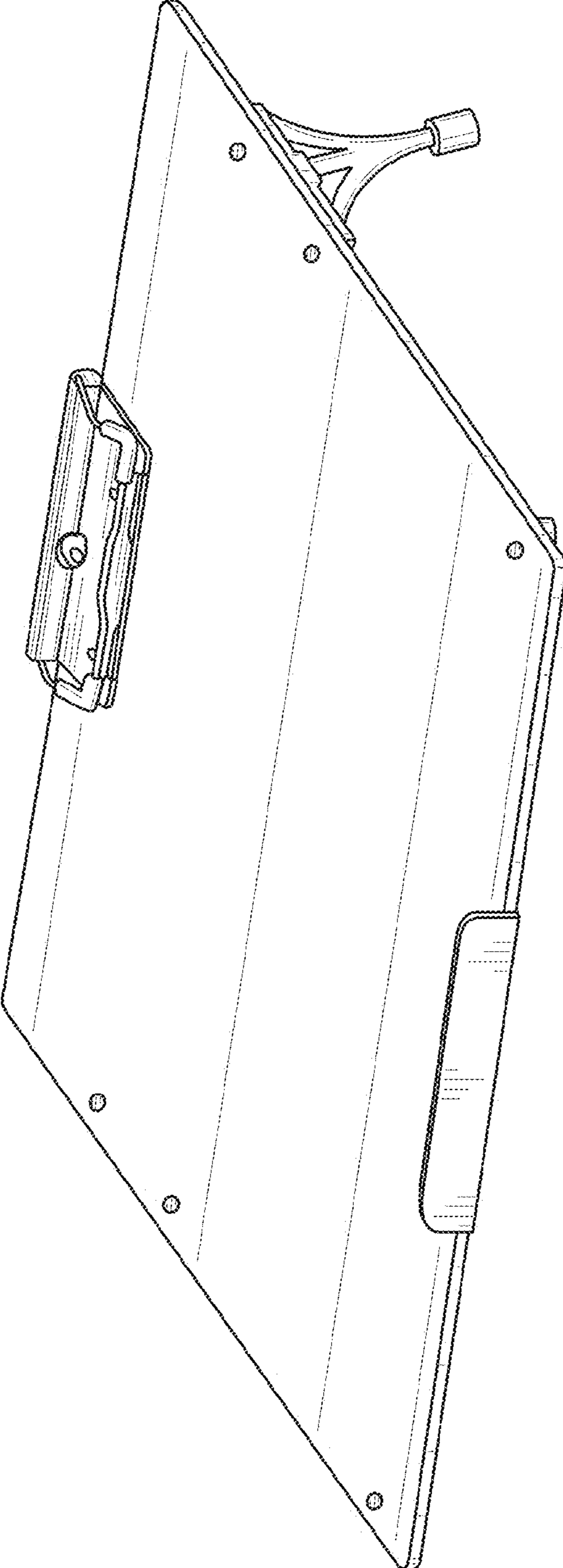


FIG. 1

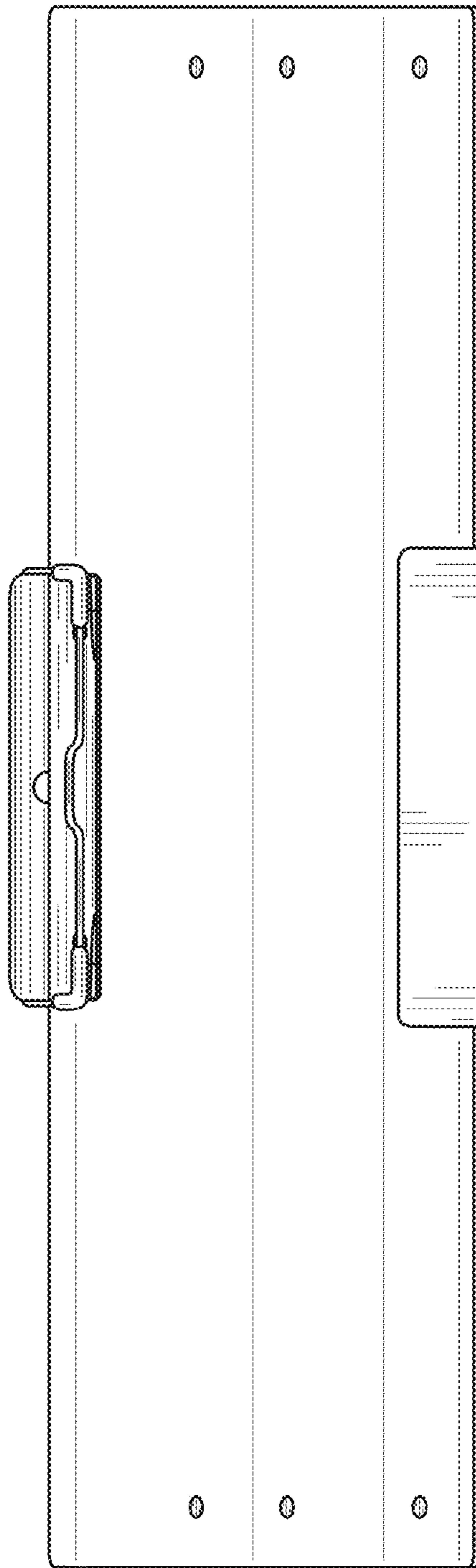


FIG. 2

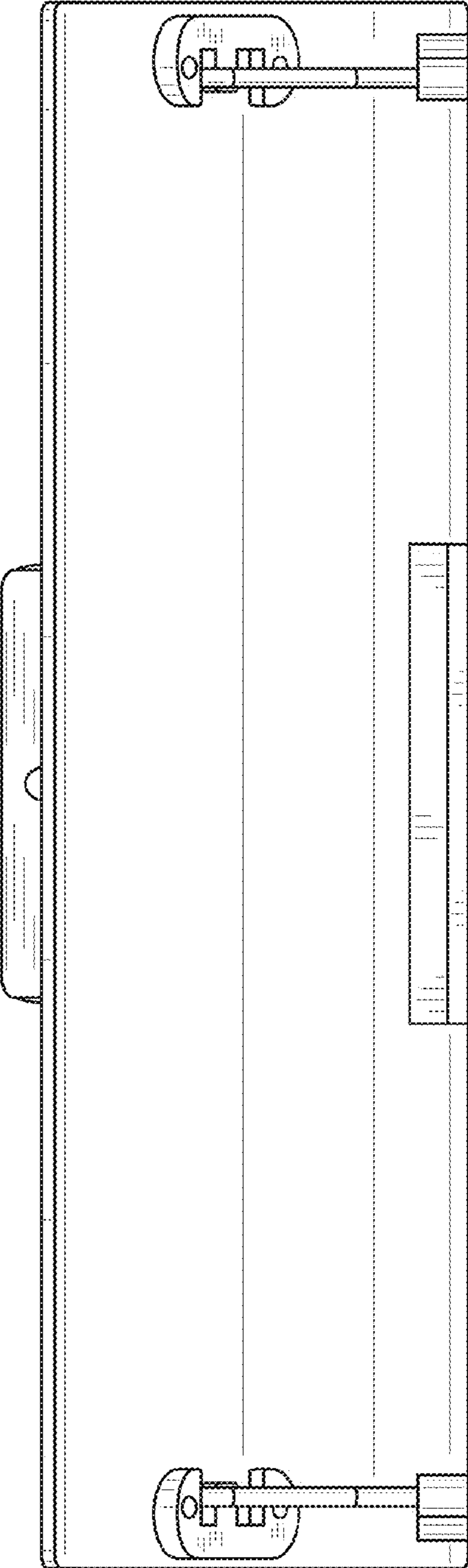


FIG. 3

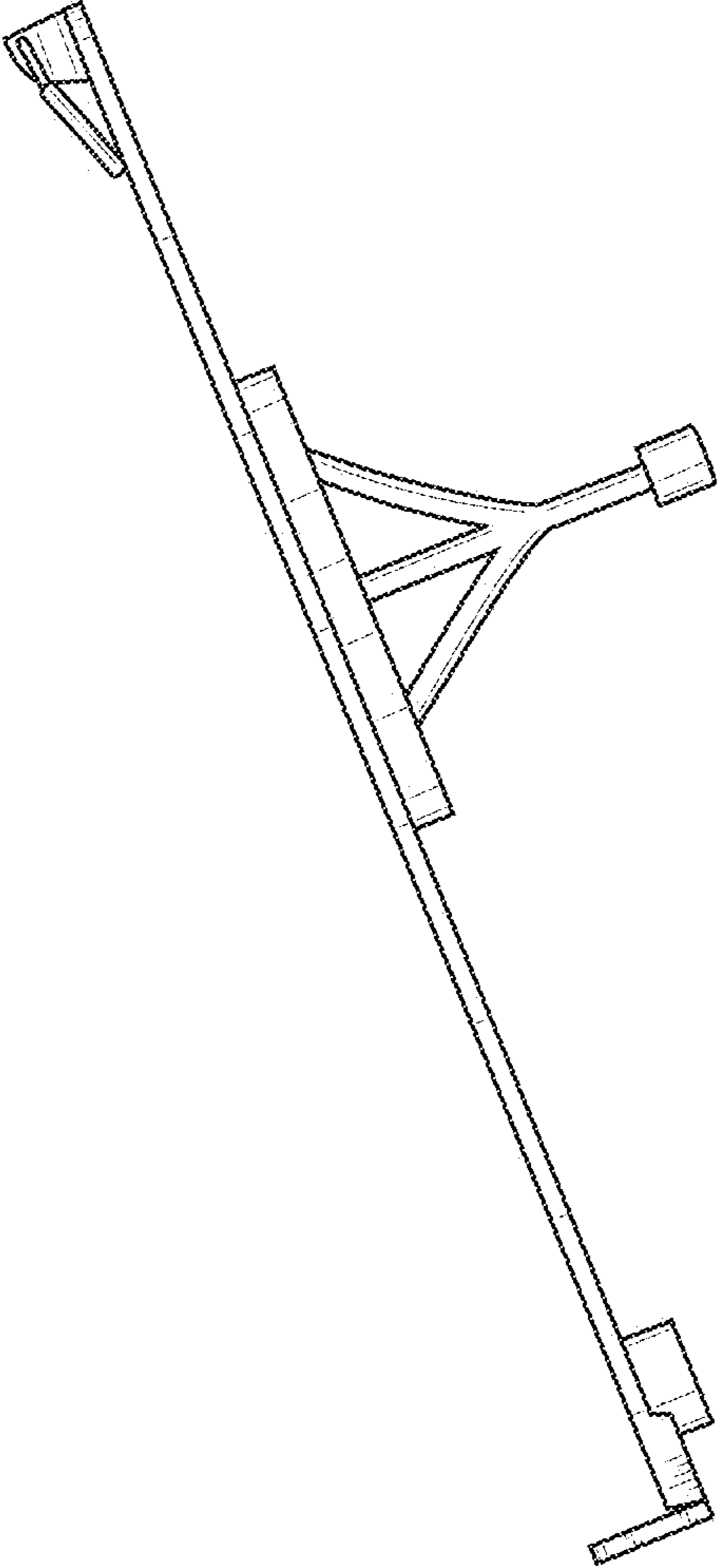


FIG. 4

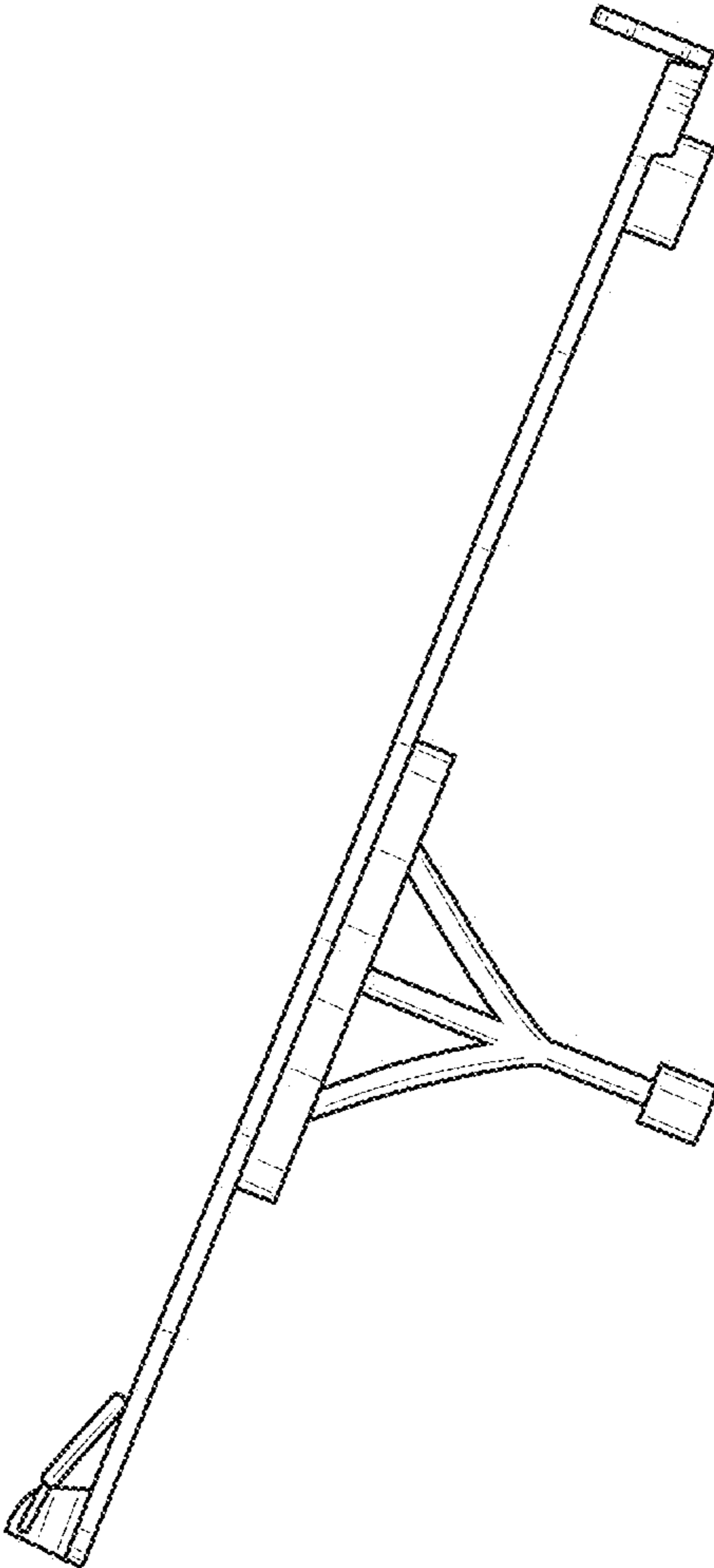


FIG. 5

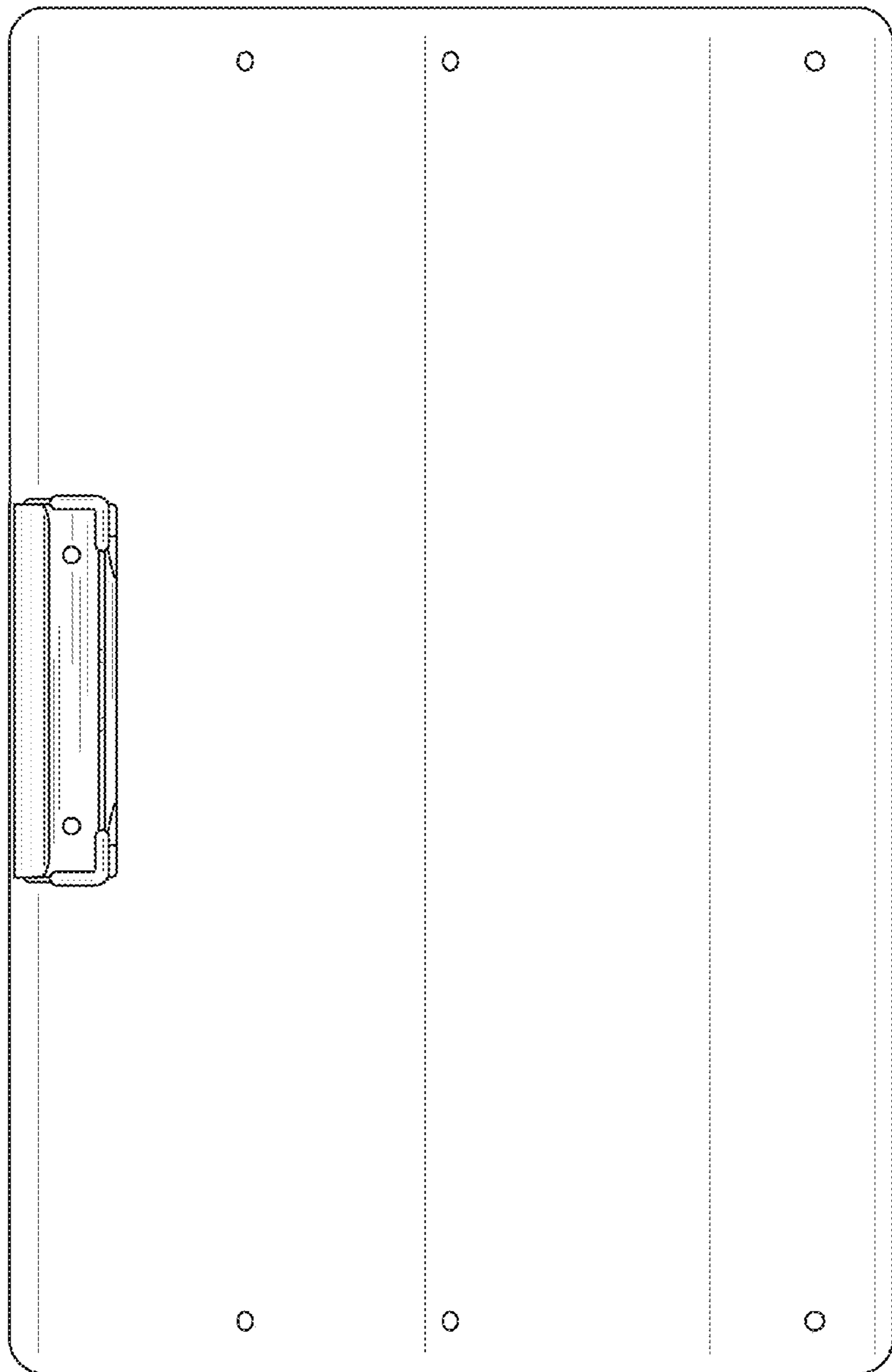


FIG. 6

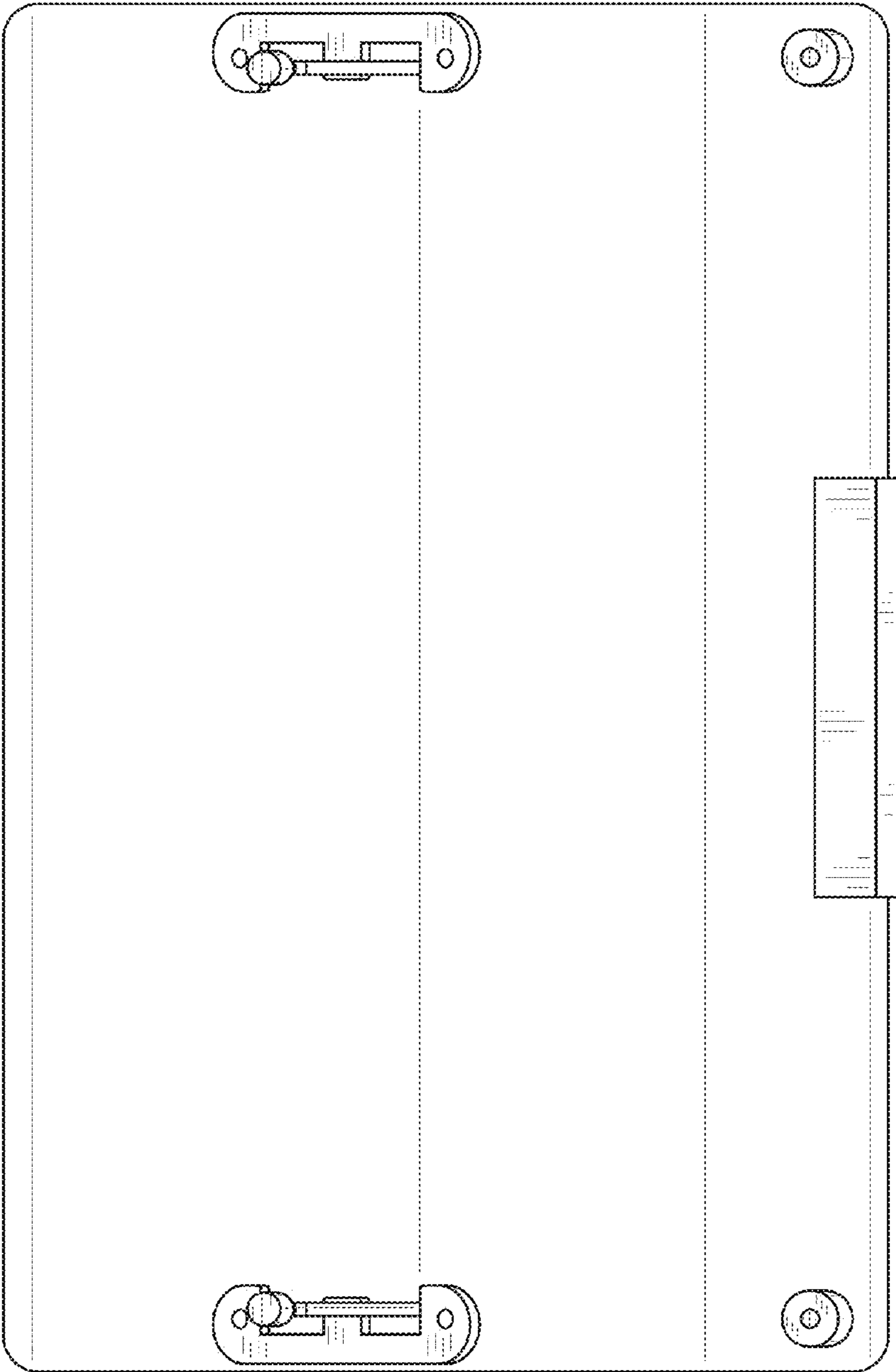


FIG. 7

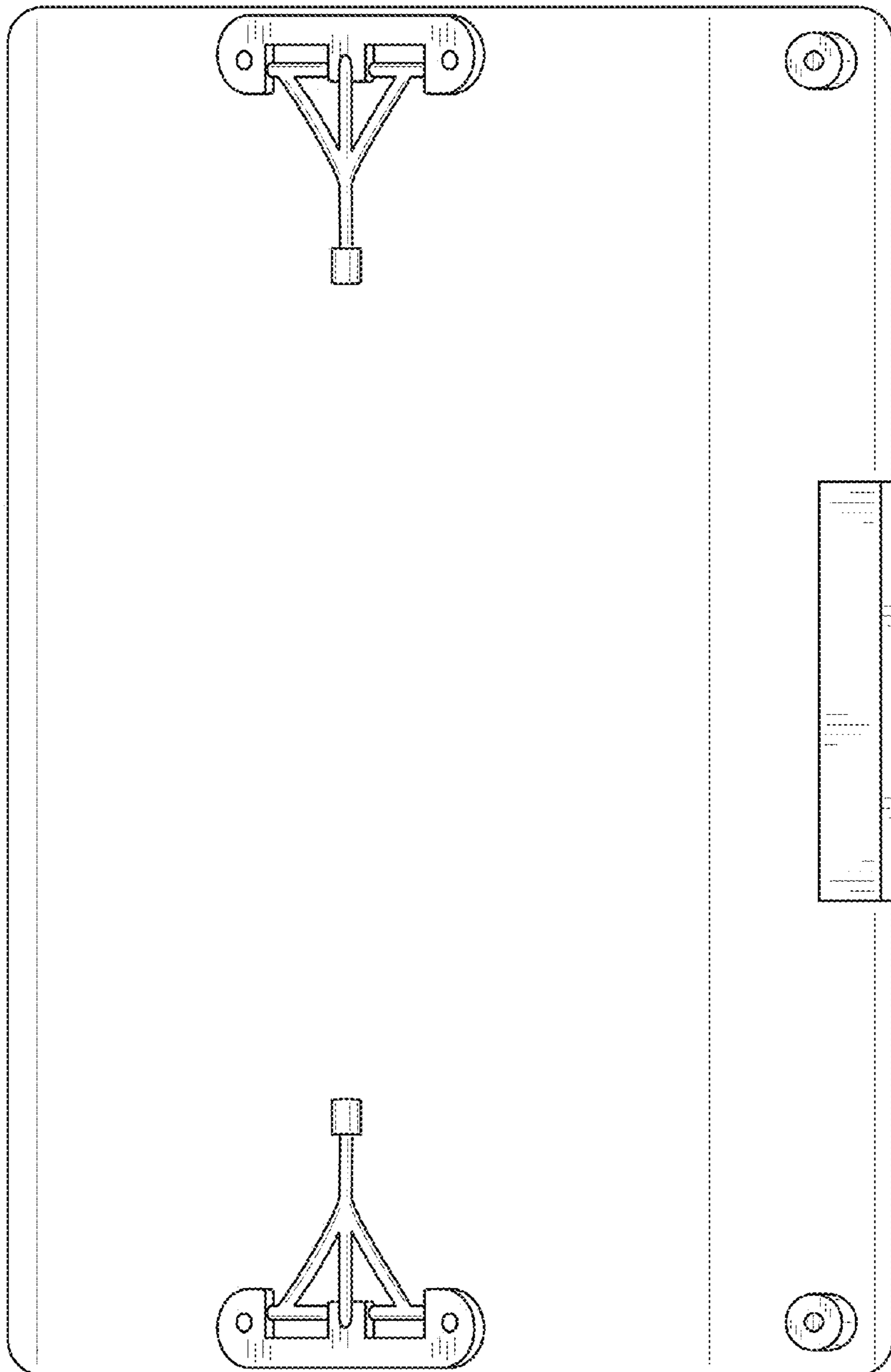


FIG. 8