



US00D745603S

(12) **United States Design Patent**  
**Zhang et al.**

(10) **Patent No.:** **US D745,603 S**  
(45) **Date of Patent:** **\*\* Dec. 15, 2015**

(54) **NOTE DISPENSER**  
(71) Applicant: **3M INNOVATIVE PROPERTIES COMPANY**, St. Paul, MN (US)  
(72) Inventors: **Shuwei Zhang**, Shanghai (CN);  
**Gianmauro Vella**, Shanghai (CN);  
**Xinchun Tang**, Shanghai (CN)  
(73) Assignee: **3M INNOVATIVE PROPERTIES COMPANY**, St. Paul, MN (US)  
(\*\*) Term: **14 Years**  
(21) Appl. No.: **29/496,219**  
(22) Filed: **Jul. 10, 2014**  
(30) **Foreign Application Priority Data**

Jan. 20, 2014 (CN) ..... 2014 3 0015358

(51) **LOC (10) Cl.** ..... **19-02**  
(52) **U.S. Cl.**  
USPC ..... **D19/86**  
(58) **Field of Classification Search**  
USPC ..... D19/86, 87, 88, 89, 90, 91, 92  
CPC ..... B65D 83/08; B65D 83/0805; B65D  
83/0847; B65D 83/0894; B42D 5/005; B42D  
5/006; B42D 5/007; B42D 5/008  
See application file for complete search history.

(56) **References Cited**  
U.S. PATENT DOCUMENTS  
4,562,938 A \* 1/1986 Loder ..... B65D 83/0805  
221/46  
4,586,630 A \* 5/1986 Loder ..... B65D 83/0805  
221/46  
4,993,590 A 2/1991 Windorski  
D322,632 S 12/1991 Montgomery  
5,161,712 A \* 11/1992 Olson ..... B65D 83/0894  
206/494

5,165,570 A \* 11/1992 Windorski ..... B42D 5/005  
221/45  
D332,284 S \* 1/1993 Van Eijben ..... D19/65  
D338,864 S \* 8/1993 Morris ..... D12/191  
D357,938 S \* 5/1995 Wolff ..... D19/86  
5,769,270 A \* 6/1998 Fujisawa ..... B65D 83/0805  
221/155  
D456,849 S 5/2002 Thompson  
D460,117 S \* 7/2002 Thompson ..... D19/86  
D491,606 S \* 6/2004 Jour ..... D19/86  
D533,595 S \* 12/2006 Thompson ..... D19/86  
D545,905 S \* 7/2007 Chen ..... D19/86  
D551,715 S \* 9/2007 Chen ..... D19/86  
D556,262 S \* 11/2007 Nash ..... D19/86  
D672,176 S \* 12/2012 Morrow ..... D19/86  
D688,747 S \* 8/2013 Clover ..... D19/86  
2008/0017659 A1 \* 1/2008 Nash ..... B65D 83/0817  
221/59  
2008/0044612 A1 \* 2/2008 Jour ..... B42D 5/005  
428/42.1  
2008/0054010 A1 \* 3/2008 Lin ..... B65D 83/0817  
221/34  
2012/0132666 A1 \* 5/2012 Hsu ..... B42D 5/005  
221/34

**FOREIGN PATENT DOCUMENTS**

CN 200530019842.3 5/2006  
\* cited by examiner

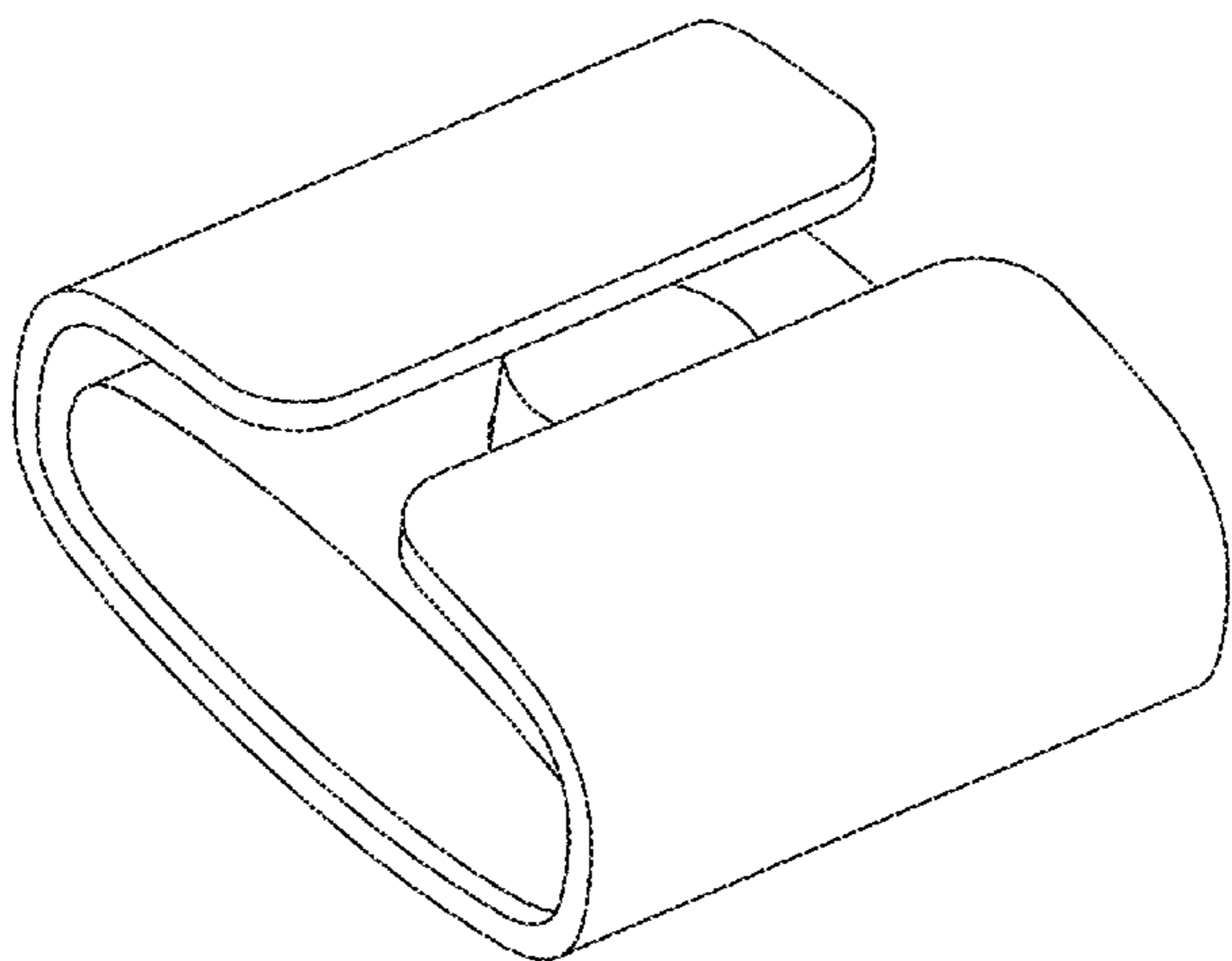
*Primary Examiner* — Elizabeth Albert  
(74) *Attorney, Agent, or Firm* — Irina Hass

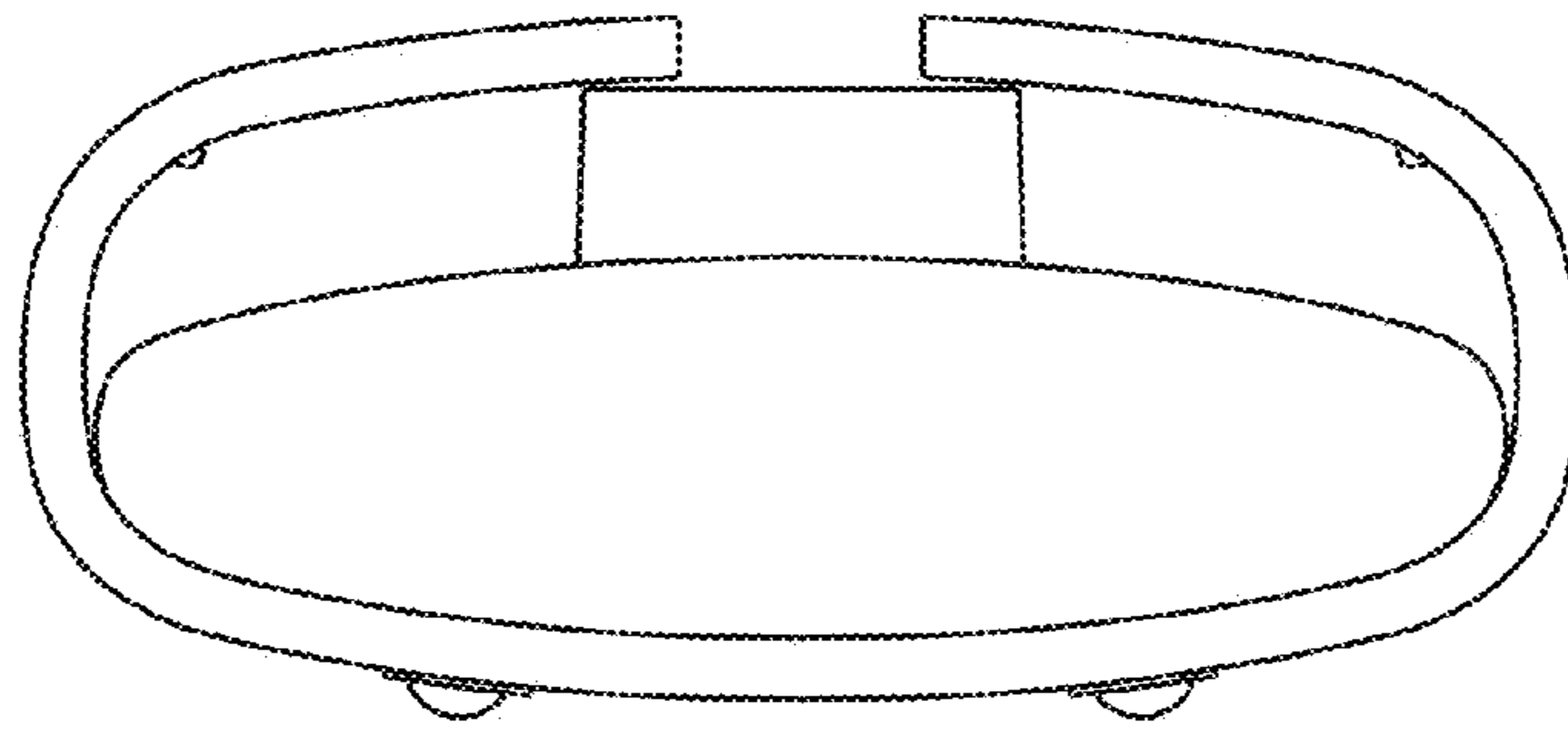
(57) **CLAIM**  
The ornamental design for a note dispenser, as shown and described.

**DESCRIPTION**

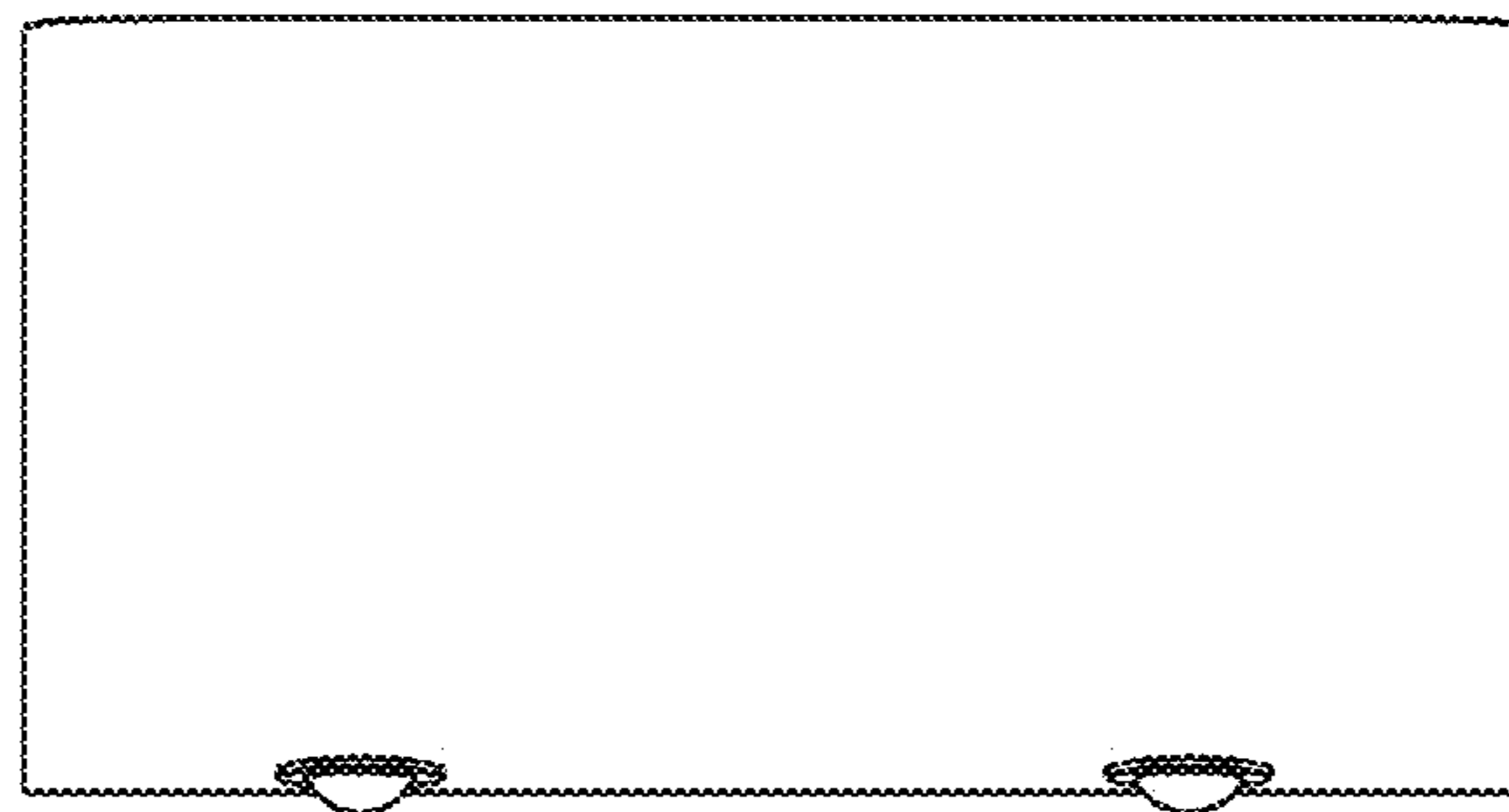
FIG. 1 is a front view of a note dispenser showing the new design;  
FIG. 2 is a side view thereof;  
FIG. 3 is a top view thereof;  
FIG. 4 is a bottom view thereof; and,  
FIG. 5 is a perspective view thereof.

**1 Claim, 2 Drawing Sheets**

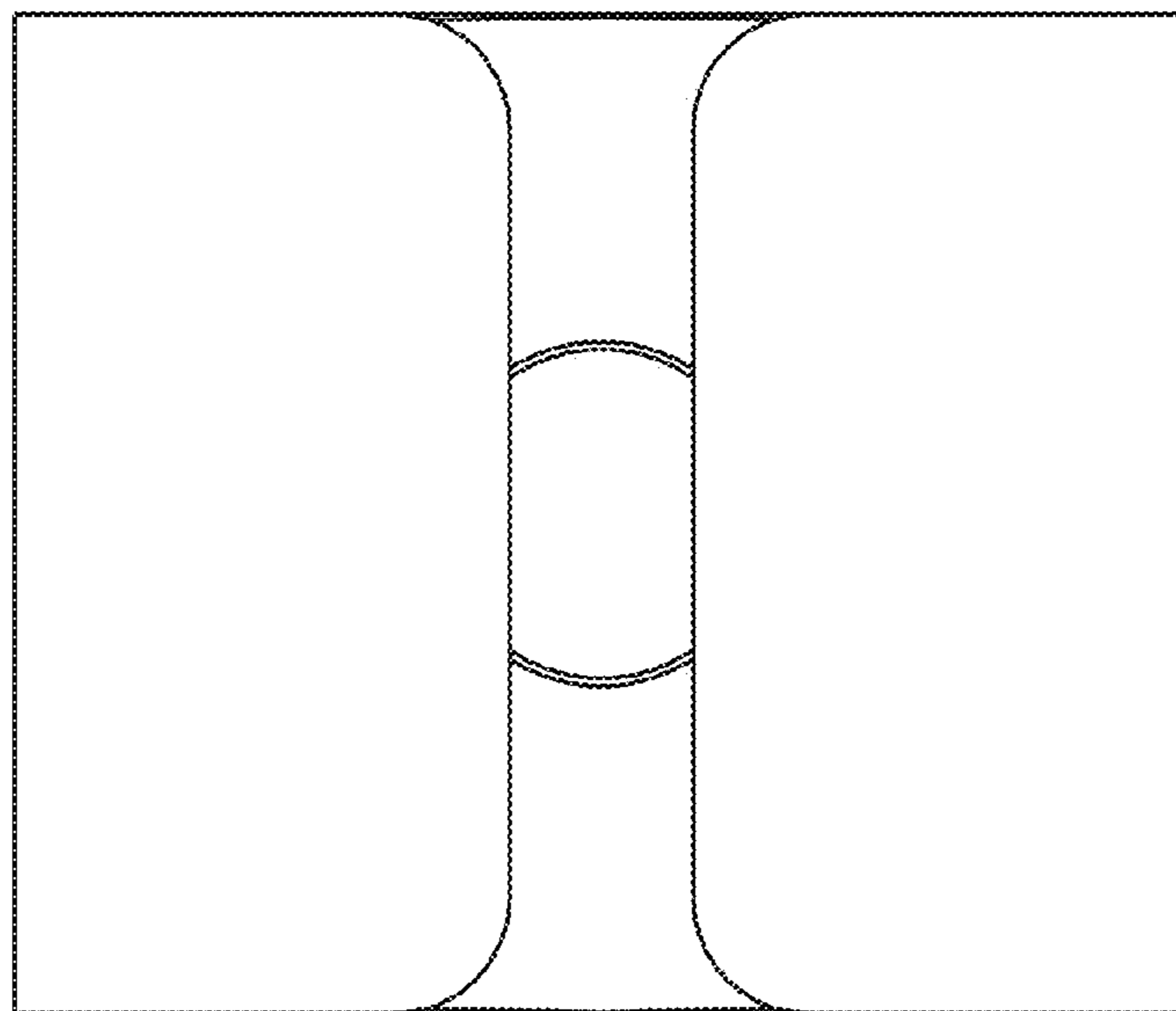




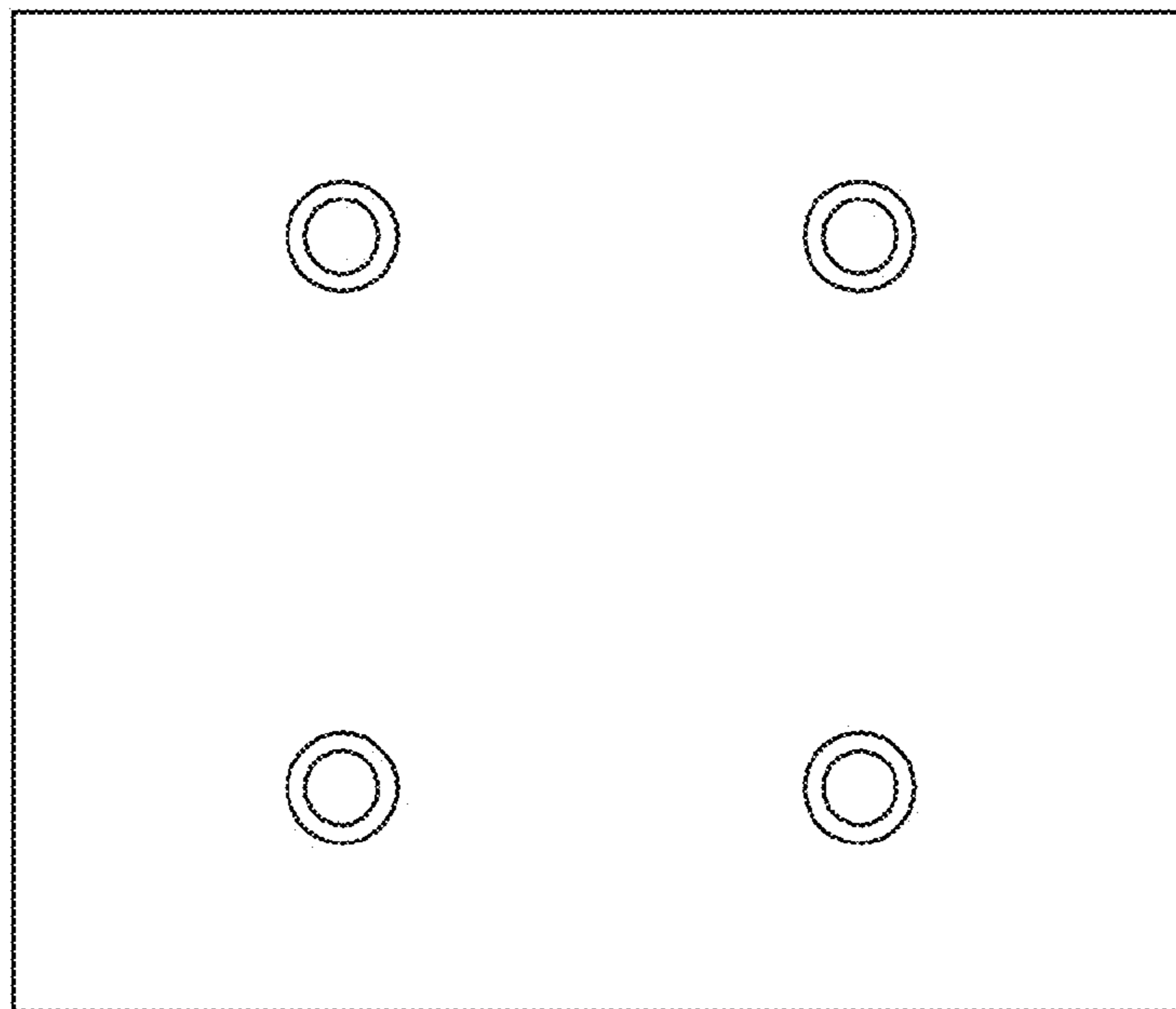
*FIG. 1*



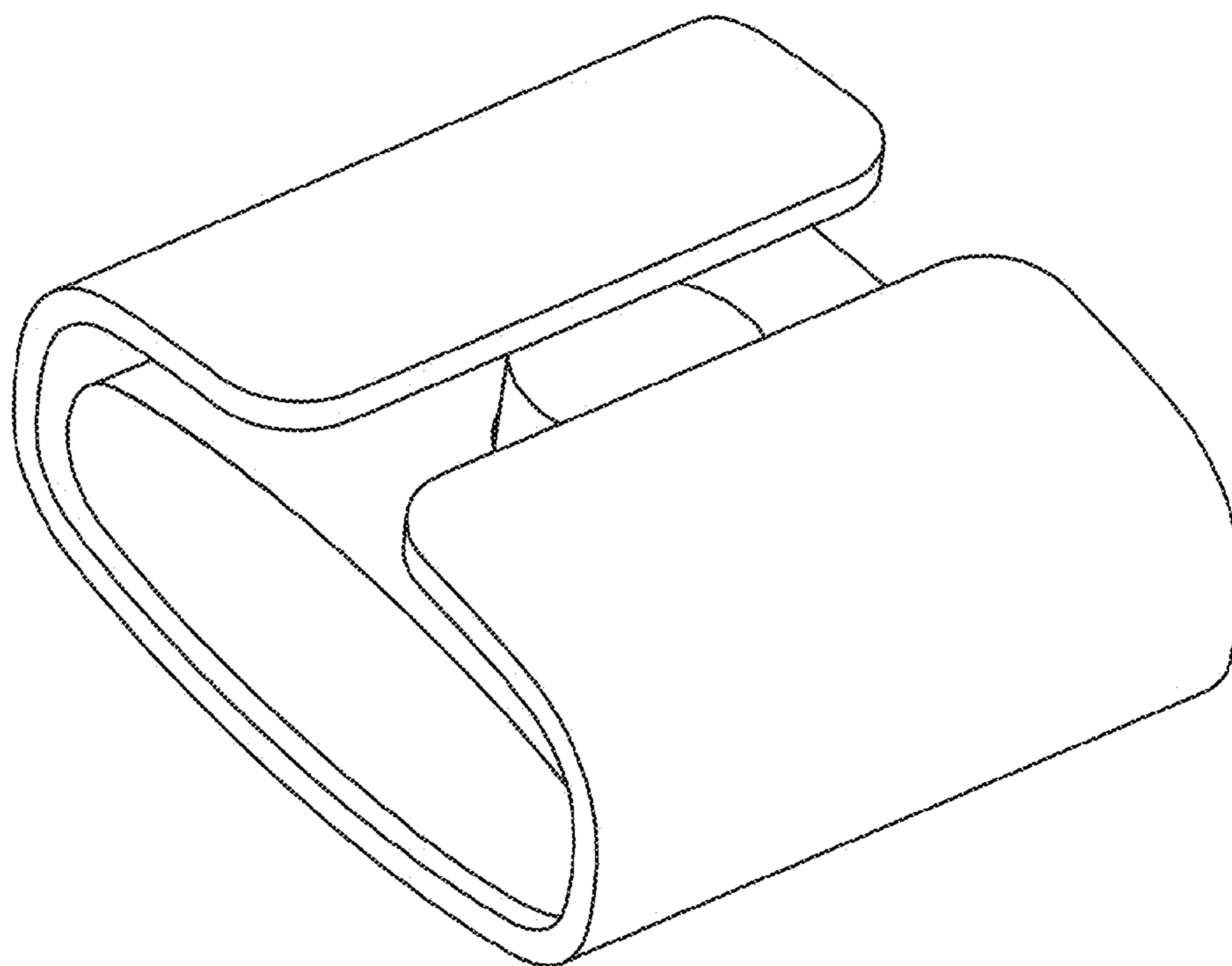
*FIG. 2*



*FIG. 3*



*FIG. 4*



*FIG. 5*