



US00D745597S

(12) **United States Design Patent**  
**Alstad et al.**

(10) **Patent No.:** **US D745,597 S**

(45) **Date of Patent:** **\*\* Dec. 15, 2015**

(54) **WIRELESS CONTROL UNIT**

(71) Applicant: **Aalberg Audio AS**, Trondheim (NO)

(72) Inventors: **Rune Aalberg Alstad**, Trondheim (NO);  
**Aleksander Torstensen**, Stavanger  
(NO); **André Jonvik**, Odda (NO);  
**Torkild Indstøy**, Trondheim (NO)

(73) Assignee: **AALBERG AUDIO AS**, Trondheim  
(NO)

(\*\*) Term: **14 Years**

(21) Appl. No.: **29/477,499**

(22) Filed: **Dec. 23, 2013**

(30) **Foreign Application Priority Data**

Jul. 5, 2013 (NO) ..... 20130719

(51) **LOC (10) Cl.** ..... **17-03**

(52) **U.S. Cl.**  
USPC ..... **D17/20**

(58) **Field of Classification Search**

USPC ..... D14/217, 218, 265, 188, 192; D17/4, 9,  
D17/19, 20, 24, 99

CPC ..... G10H 1/348; G10H 1/34; G10H 1/02;  
G10H 3/186; G10H 7/008; G11B 15/02

See application file for complete search history.

(56) **References Cited**

**U.S. PATENT DOCUMENTS**

D364,162 S \* 11/1995 Dagan ..... D14/188  
D379,627 S \* 6/1997 Takahashi ..... D14/171  
D407,379 S \* 3/1999 Schwaegerle ..... D13/167  
D504,458 S \* 4/2005 Edwards ..... D17/20

D535,284 S \* 1/2007 Peng ..... D14/188  
D542,740 S \* 5/2007 Pollard ..... D13/167  
D548,728 S \* 8/2007 Yoshiyama ..... D14/218  
D550,654 S \* 9/2007 Miyawaki ..... D14/218  
7,326,849 B2 \* 2/2008 Adams et al. .... 84/746  
D606,046 S \* 12/2009 Bradford et al. .... D14/218  
D685,021 S \* 6/2013 Ridinger ..... D17/20  
D723,521 S \* 3/2015 Chen et al. .... D14/218

**OTHER PUBLICATIONS**

Aalberg Audio announces remote controlled delay pedal, image post date Aug. 22, 2014, site visited Apr. 15, 2015 (online), <<http://tonereport.com/news/aalberg-audio-announces-remote-controlled-delay-pedal-ekko>>.\*

\* cited by examiner

*Primary Examiner* — Sandra Snapp

*Assistant Examiner* — Ieisha Price

(74) *Attorney, Agent, or Firm* — Abelman, Frayne & Schwab

(57) **CLAIM**

The ornamental design for a wireless control unit, as shown and described.

**DESCRIPTION**

FIG. 1 is a top, rear and right side perspective view of a wireless control unit showing the new design;

FIG. 2 is a top plan thereof;

FIG. 3 is a front elevation thereof;

FIG. 4 is a right side elevation thereof;

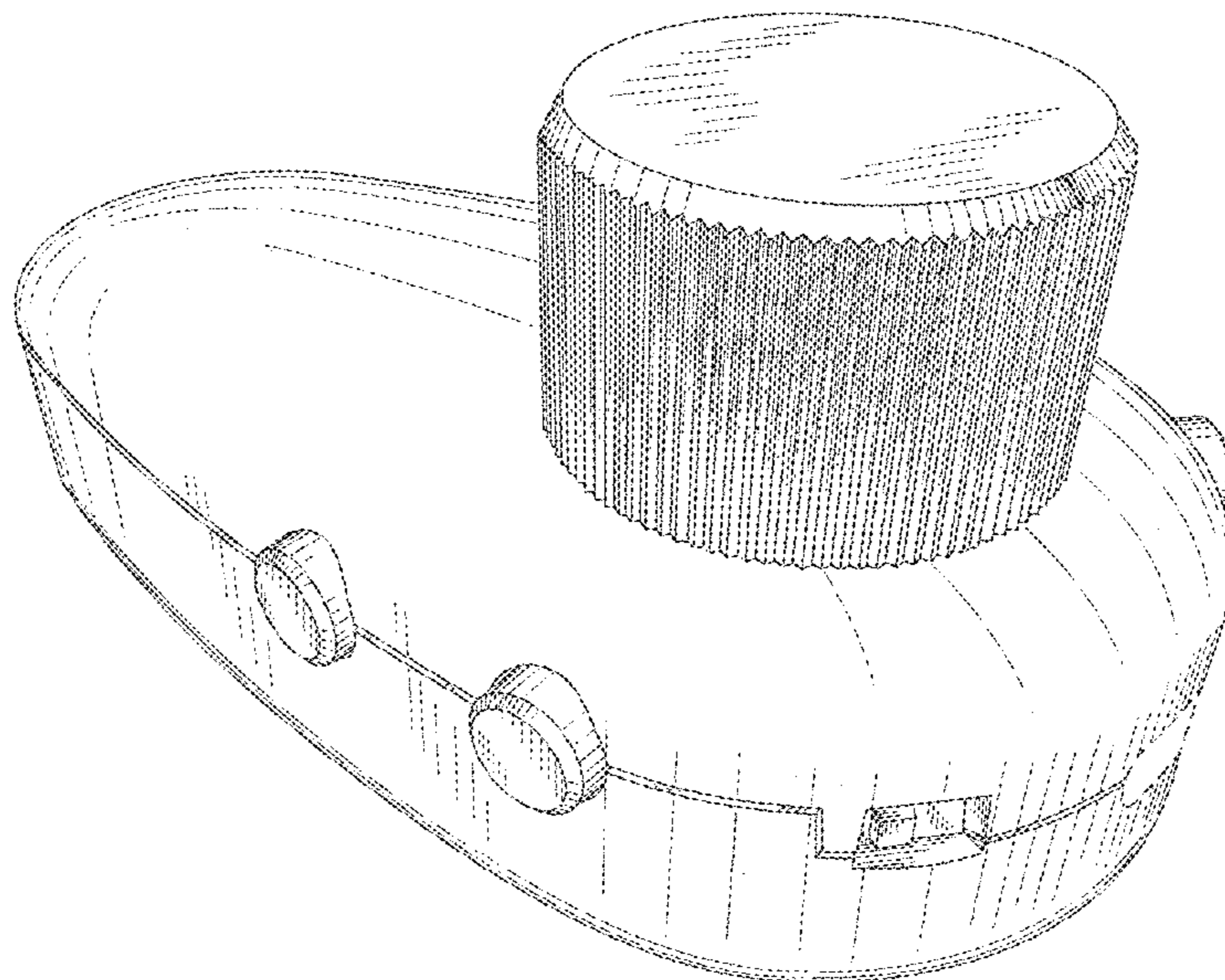
FIG. 5 is a left side elevation thereof;

FIG. 6 is a rear elevation thereof; and,

FIG. 7 is a bottom plan thereof.

The broken lines illustrate portions of the wireless control unit and form no part of the claimed design.

**1 Claim, 7 Drawing Sheets**



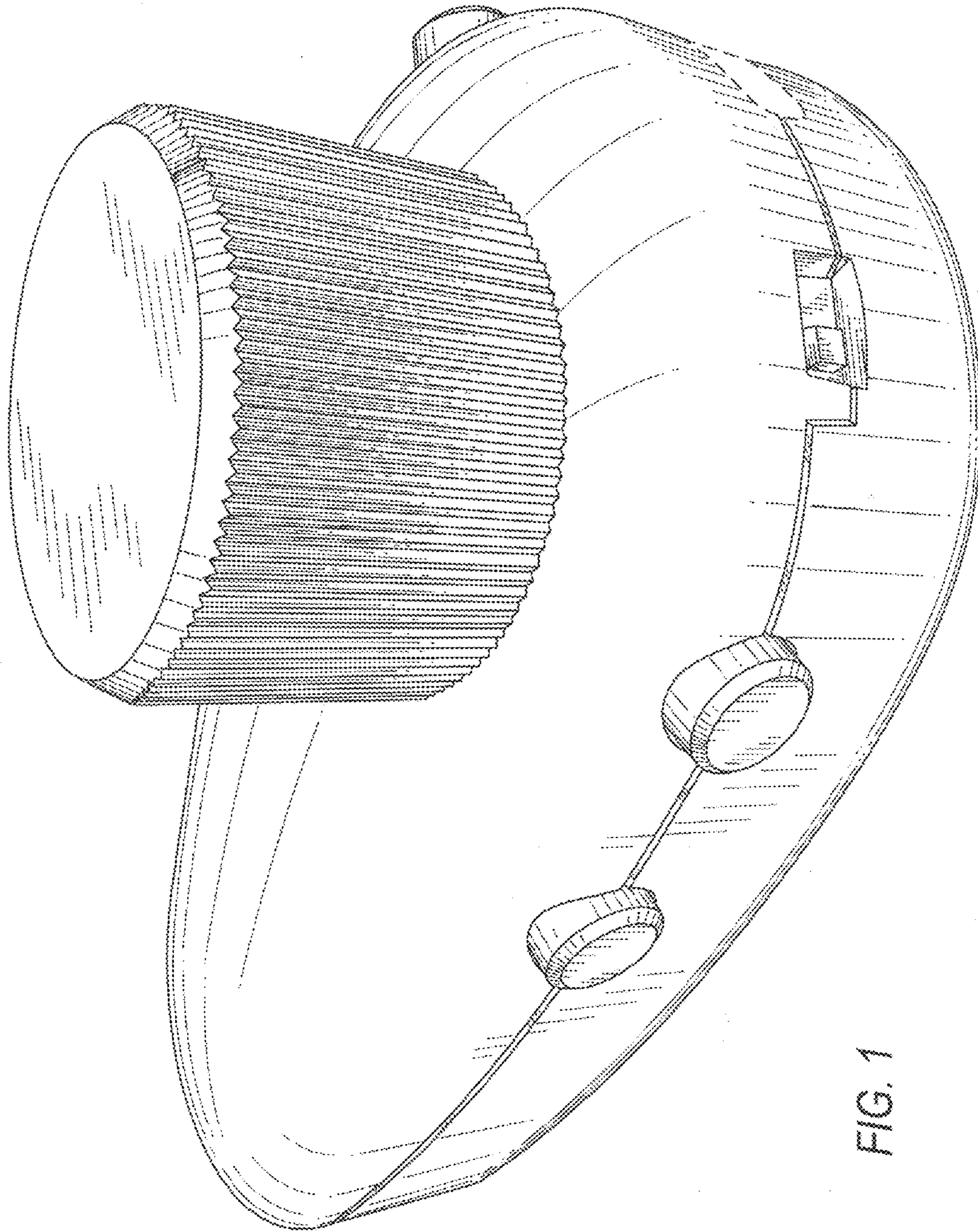


FIG. 1

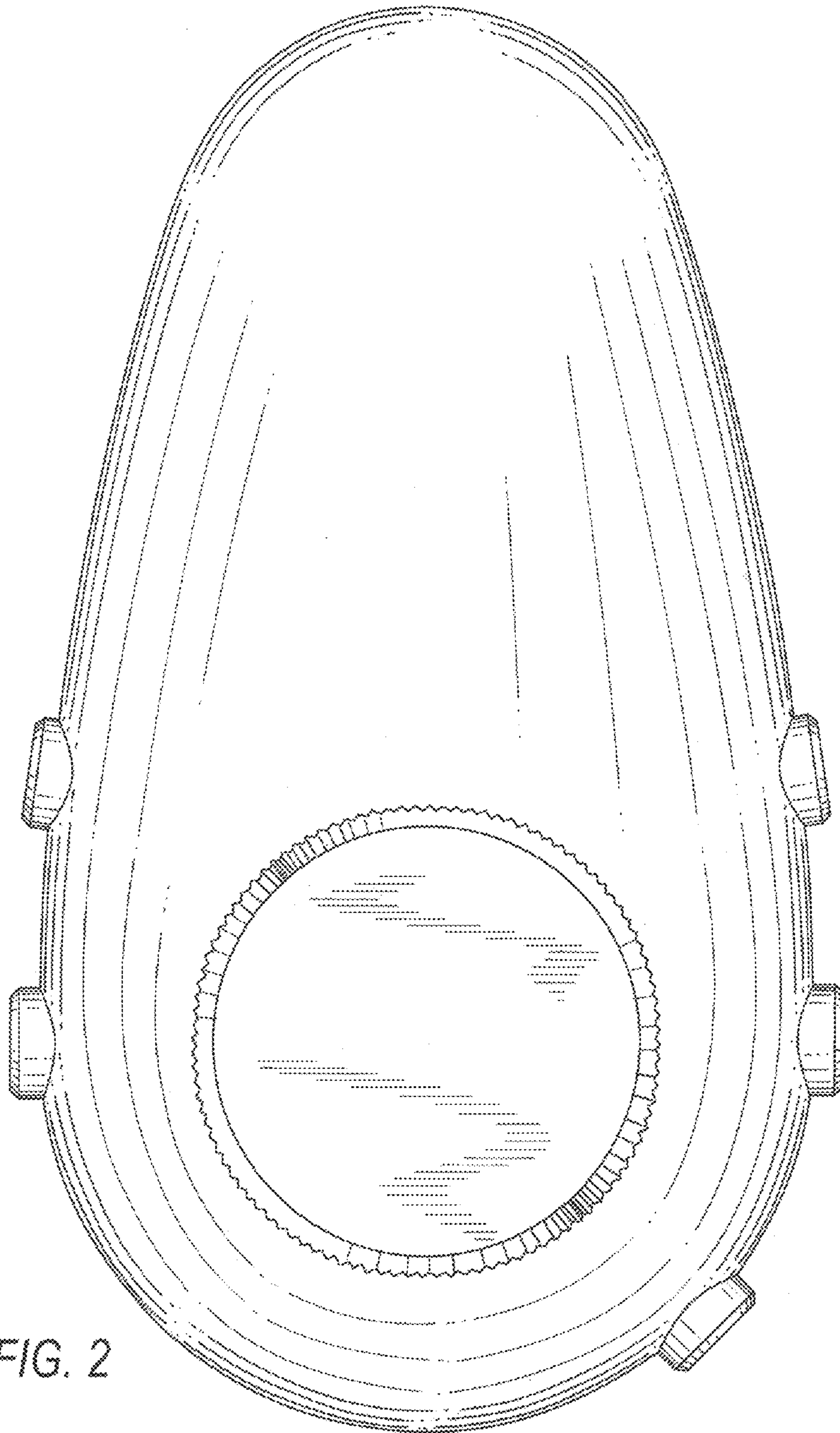


FIG. 2

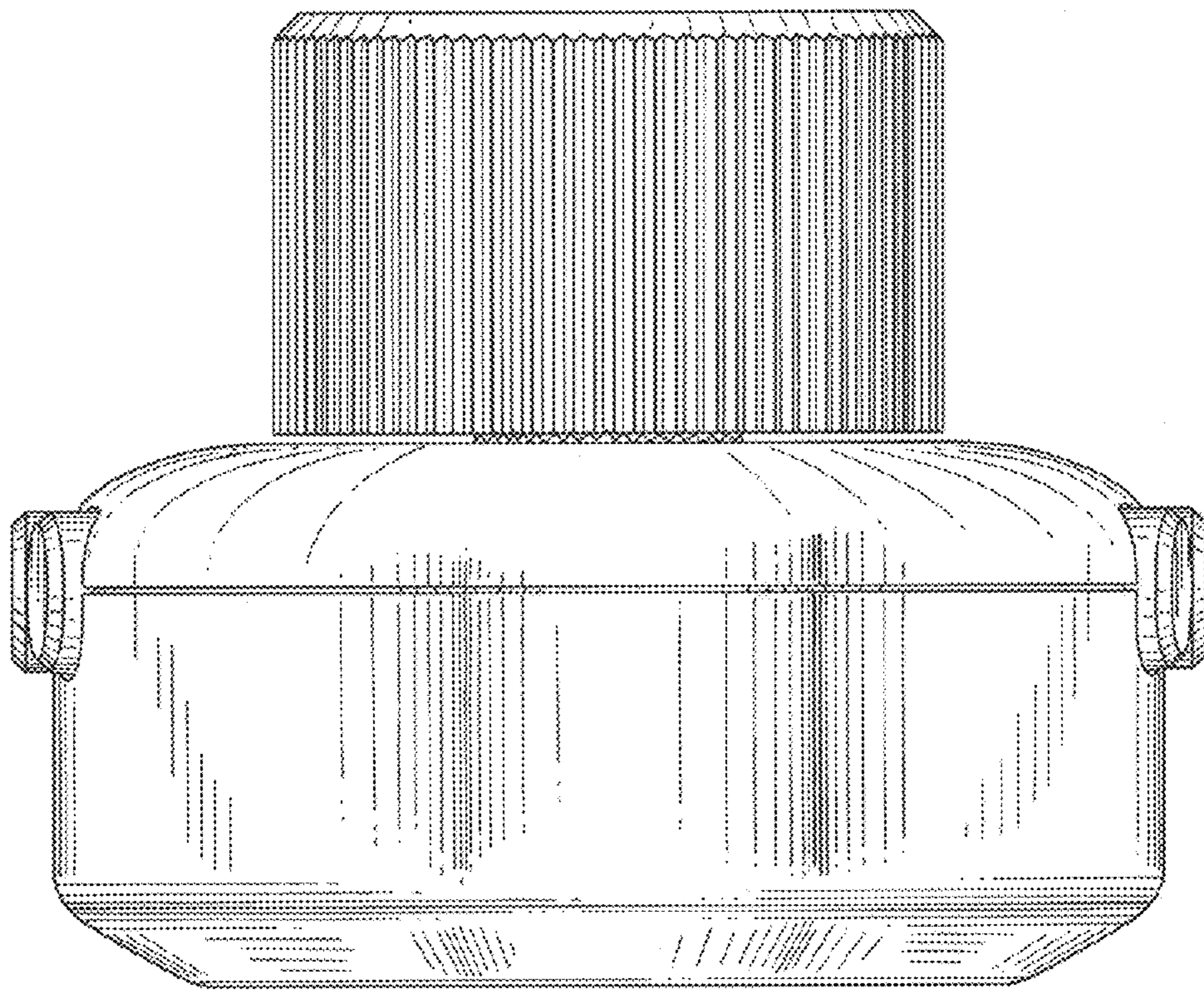


FIG. 3

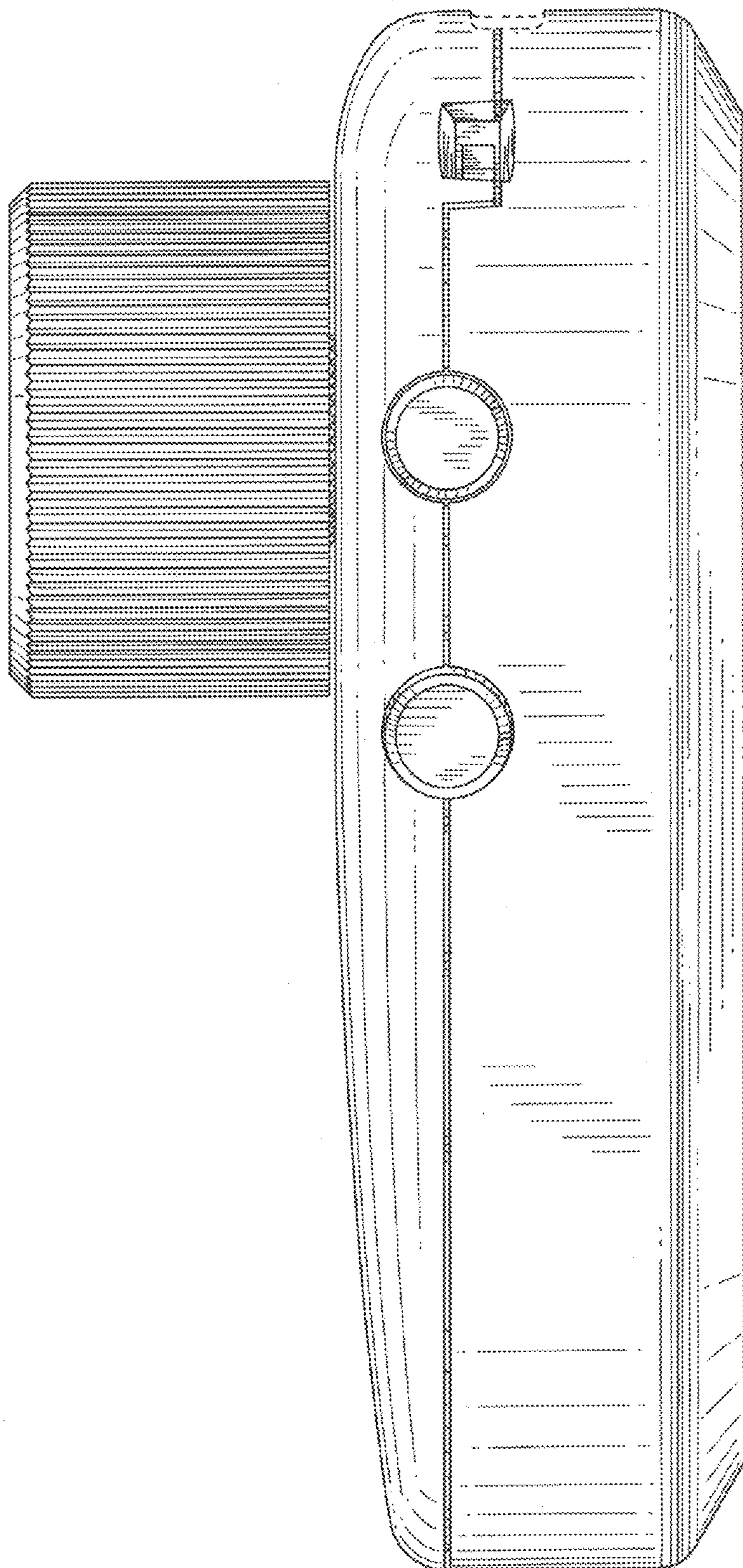


FIG. 4

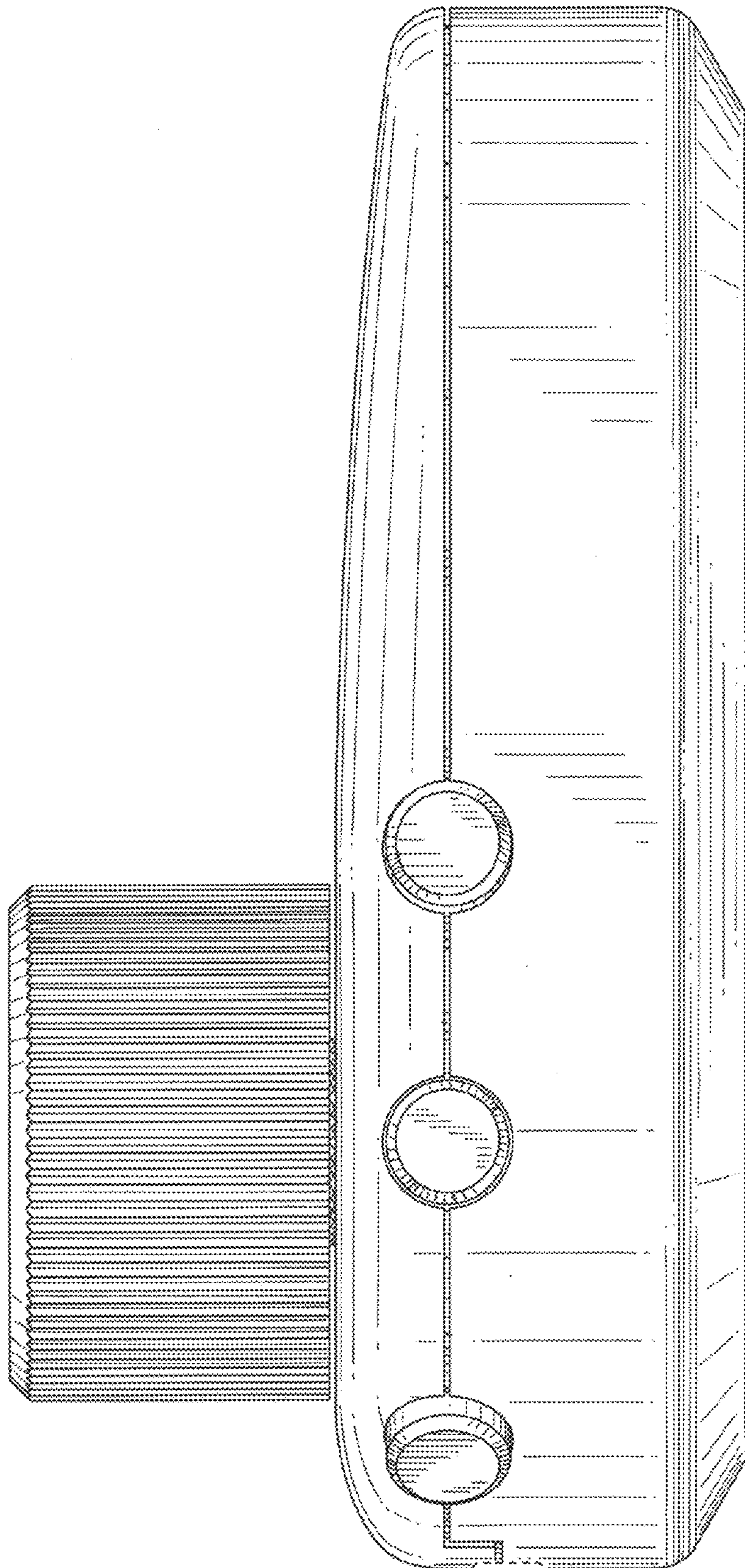


FIG. 5

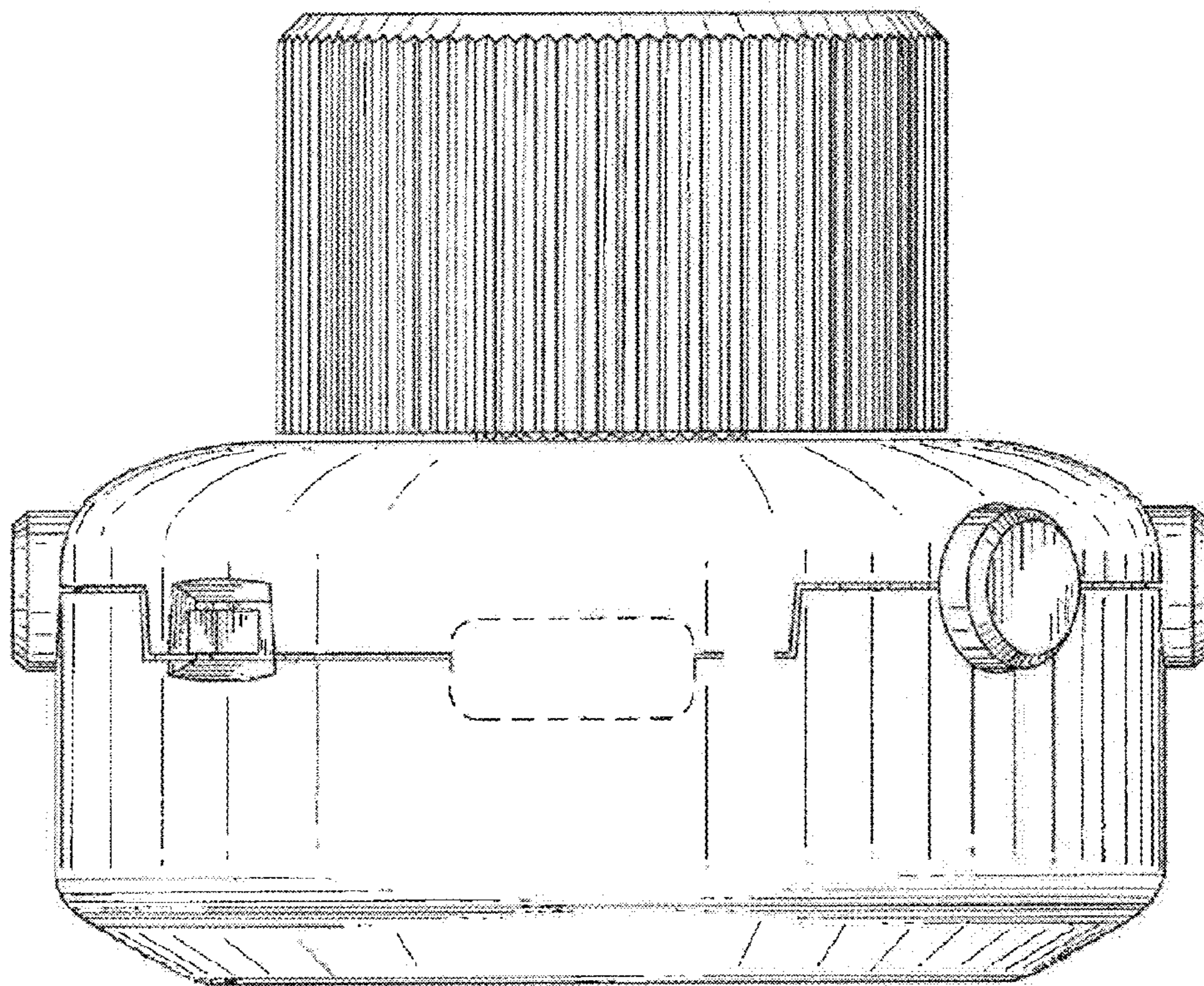


FIG. 6

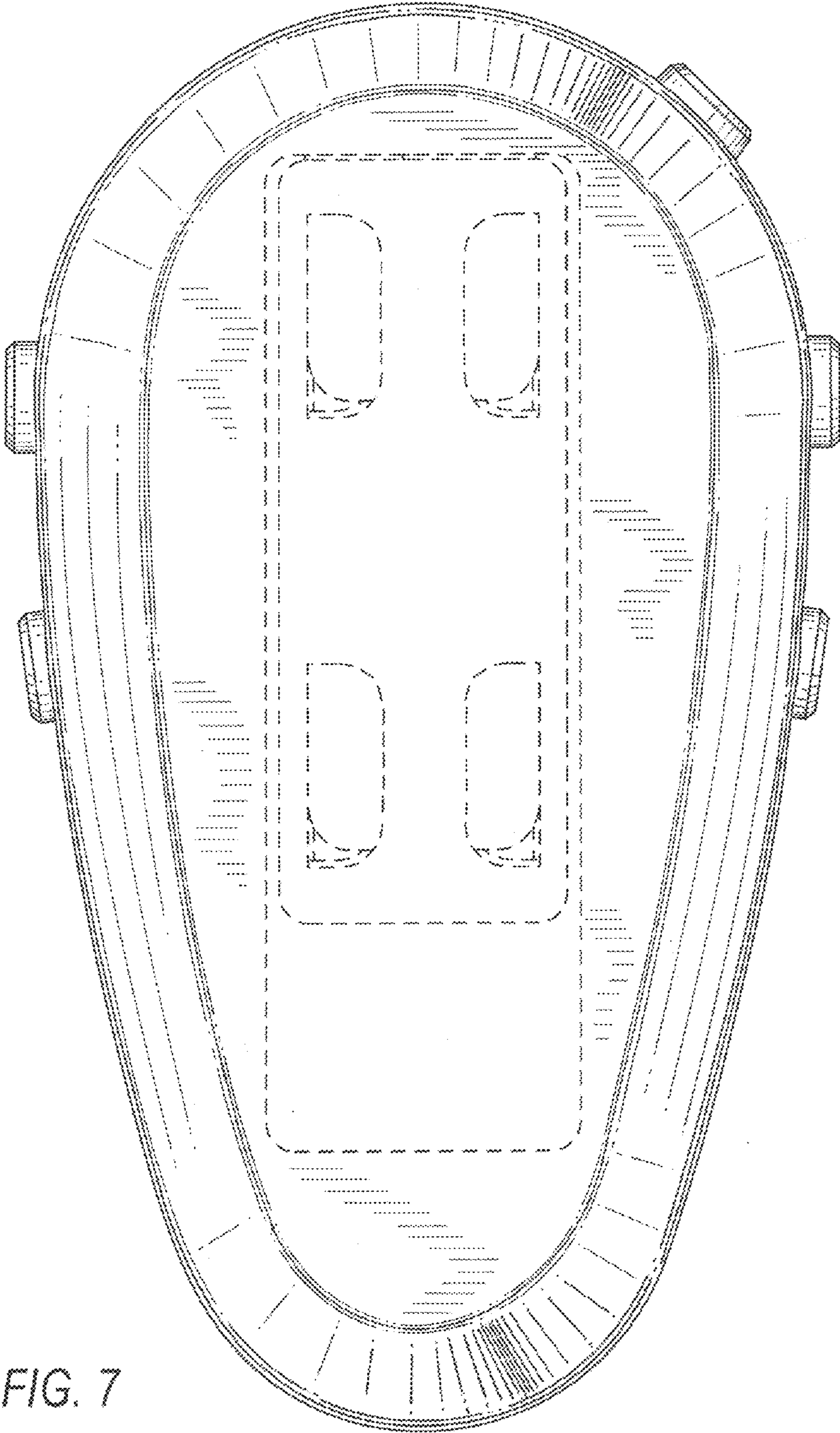


FIG. 7