



US00D745595S

(12) **United States Design Patent**
Szymanski

(10) **Patent No.:** **US D745,595 S**

(45) **Date of Patent:** **** *Dec. 15, 2015**

(54) **SUNGLASSES**

(71) Applicant: **Aaron Szymanski**, Thomaston, CT (US)

(72) Inventor: **Aaron Szymanski**, Thomaston, CT (US)

(73) Assignee: **Idea Village Products Corp.**, Wayne, NJ (US)

(*) Notice: This patent is subject to a terminal disclaimer.

(**) Term: **14 Years**

(21) Appl. No.: **29/463,257**

(22) Filed: **Sep. 23, 2013**

(51) **LOC (10) Cl.** **16-06**

(52) **U.S. Cl.**
USPC **D16/303**; D16/320; D16/326

(58) **Field of Classification Search**
USPC D16/101, 300–342, 900; D29/109–110;
351/41, 44, 51–52, 62, 158, 92,
351/103–123, 140–153, 45–46; 2/426–432,
2/447–449, 441, 434–437, 13, 15;
D21/483, 659–661; D14/372
See application file for complete search history.

(56) **References Cited**

U.S. PATENT DOCUMENTS

2,814,968 A * 12/1957 Nixon, Jr. 351/63
4,834,523 A * 5/1989 Porsche 351/57

D307,756 S * 5/1990 Porsche D16/303
5,028,126 A * 7/1991 Takeuchi 351/63
D327,081 S * 6/1992 Nakamura et al. D16/313
D640,311 S * 6/2011 Lombardo et al. D16/320
D640,312 S * 6/2011 Lombardo et al. D16/320
D643,459 S * 8/2011 Gonzalez D16/315
D664,589 S * 7/2012 Gonzalez D16/320

* cited by examiner

Primary Examiner — Raphael Barkai
(74) *Attorney, Agent, or Firm* — Dan M. DeLaRosa

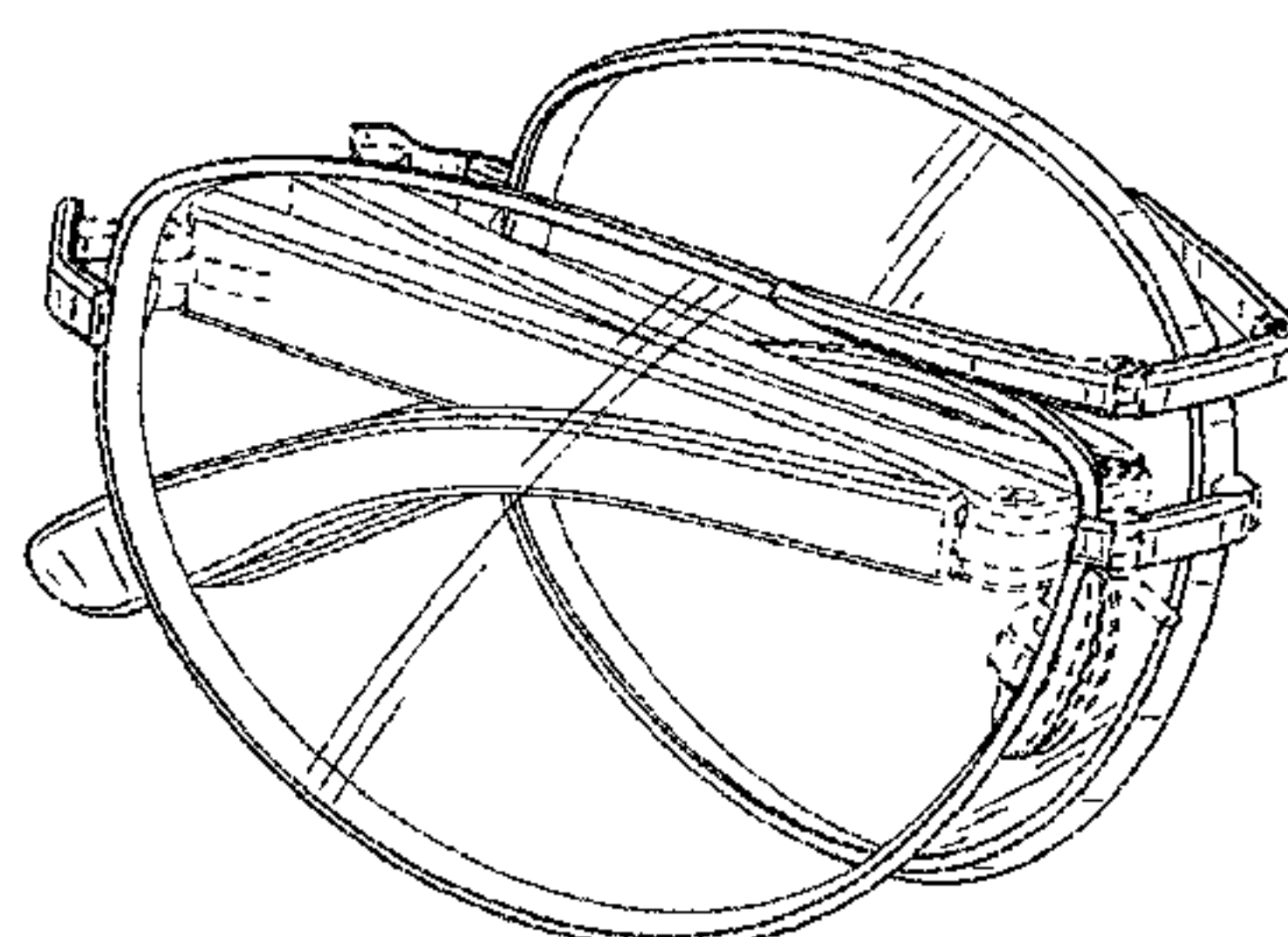
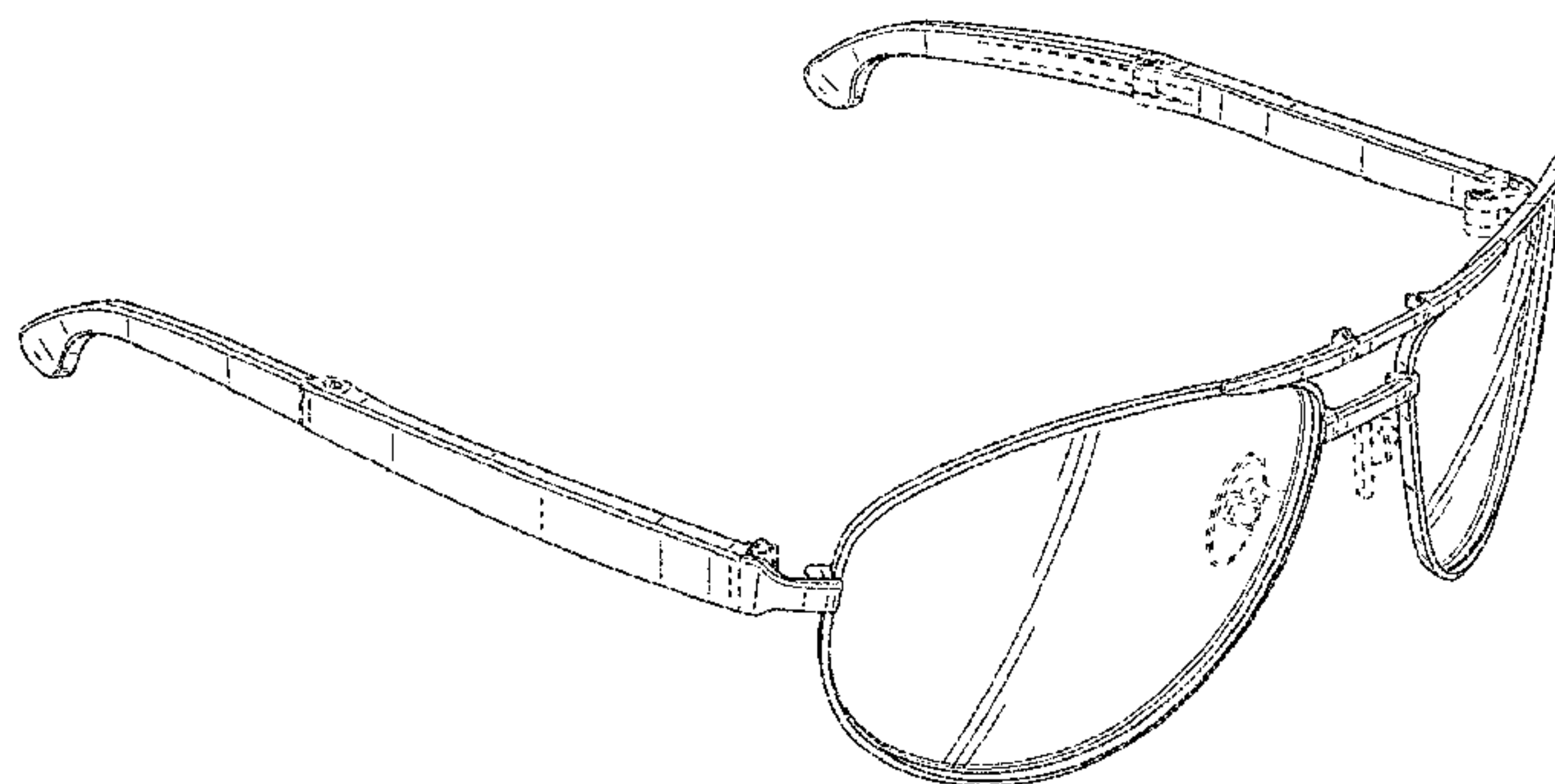
(57) **CLAIM**

The ornamental design for sunglasses, as shown and described.

DESCRIPTION

FIG. 1 is a front perspective view of the sunglasses of the present invention showing my new design;
FIG. 2 is a front side elevational view thereof;
FIG. 3 is a back side elevational view thereof;
FIG. 4 is a side elevational view thereof;
FIG. 5 is another side elevational view thereof;
FIG. 6 is a top plan view thereof;
FIG. 7 is a bottom plan view thereof;
FIG. 8 is a front perspective view of the sunglasses in a folded position;
FIG. 9 is a back side elevational view of FIG. 8; and,
FIG. 10 is a top plan view of FIG. 8.

1 Claim, 8 Drawing Sheets



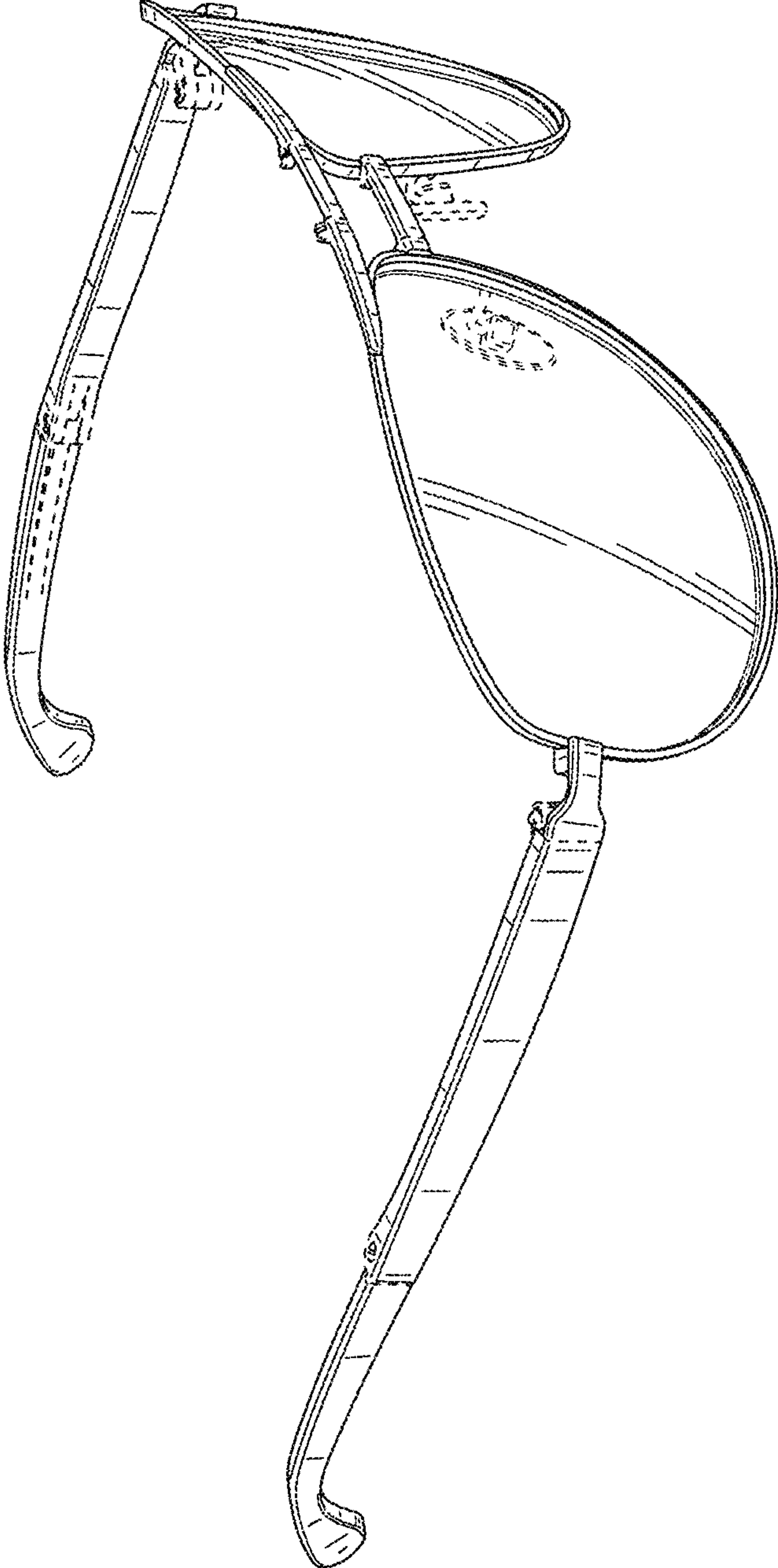


FIG. 1

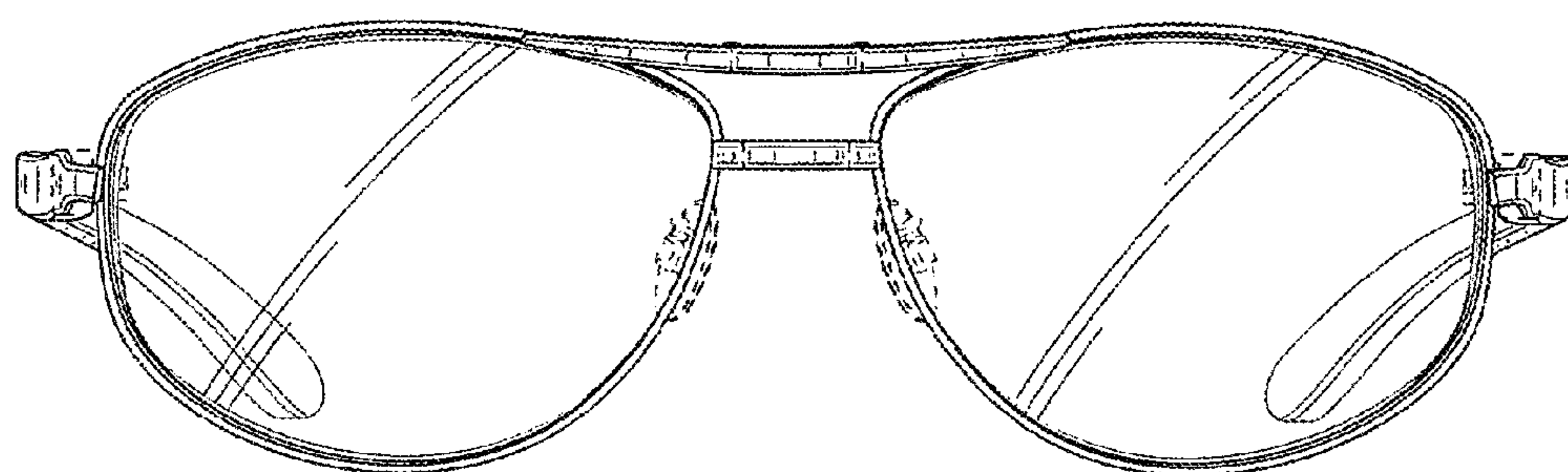


FIG. 2

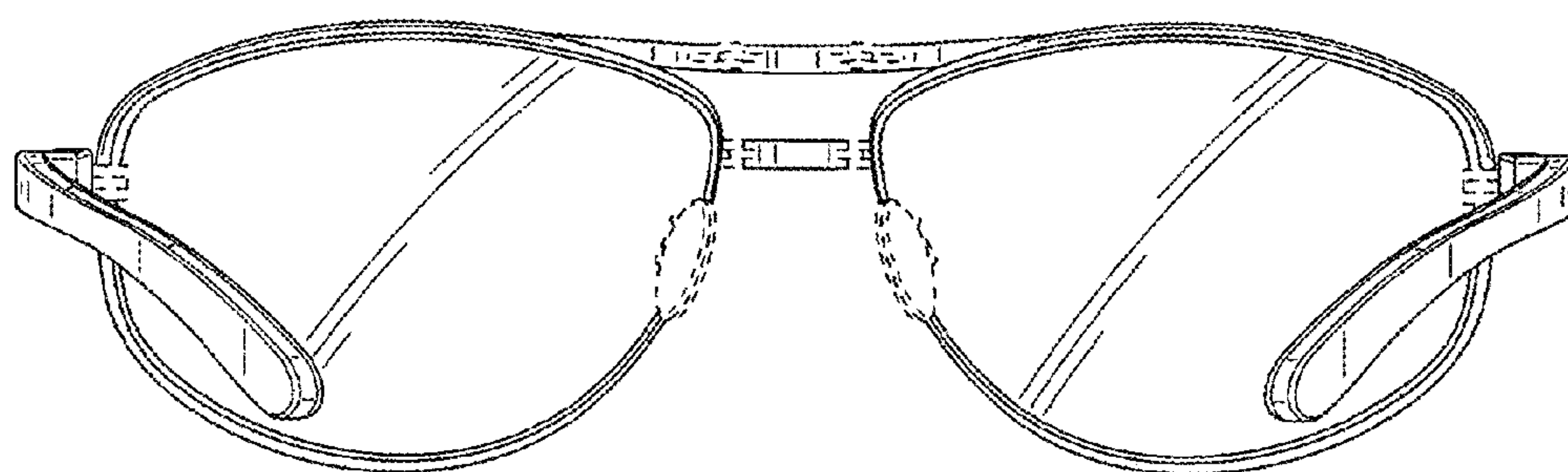


FIG. 3

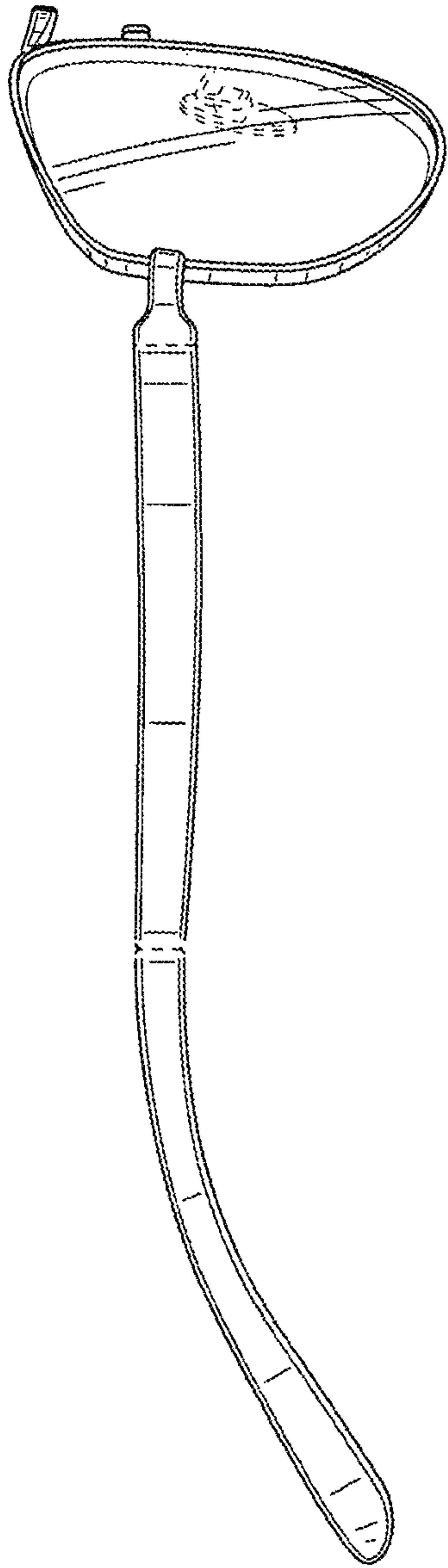


FIG. 4

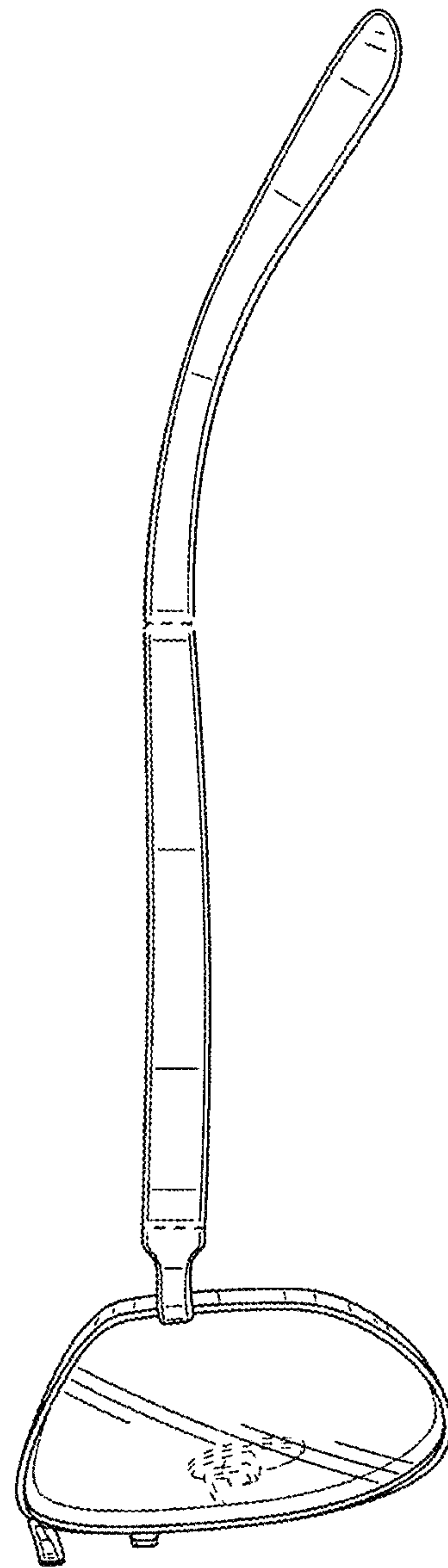


FIG. 5

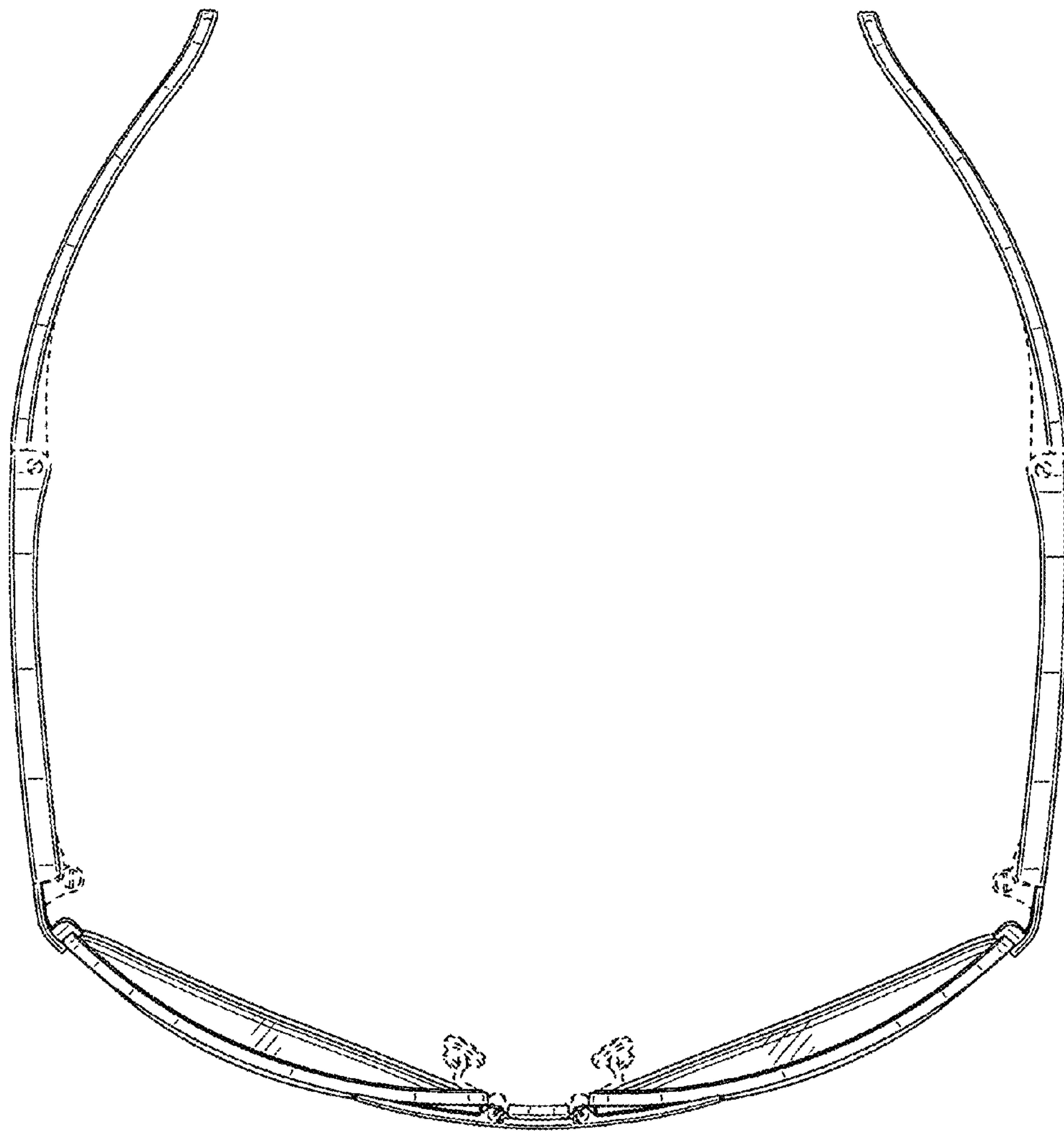


FIG. 6

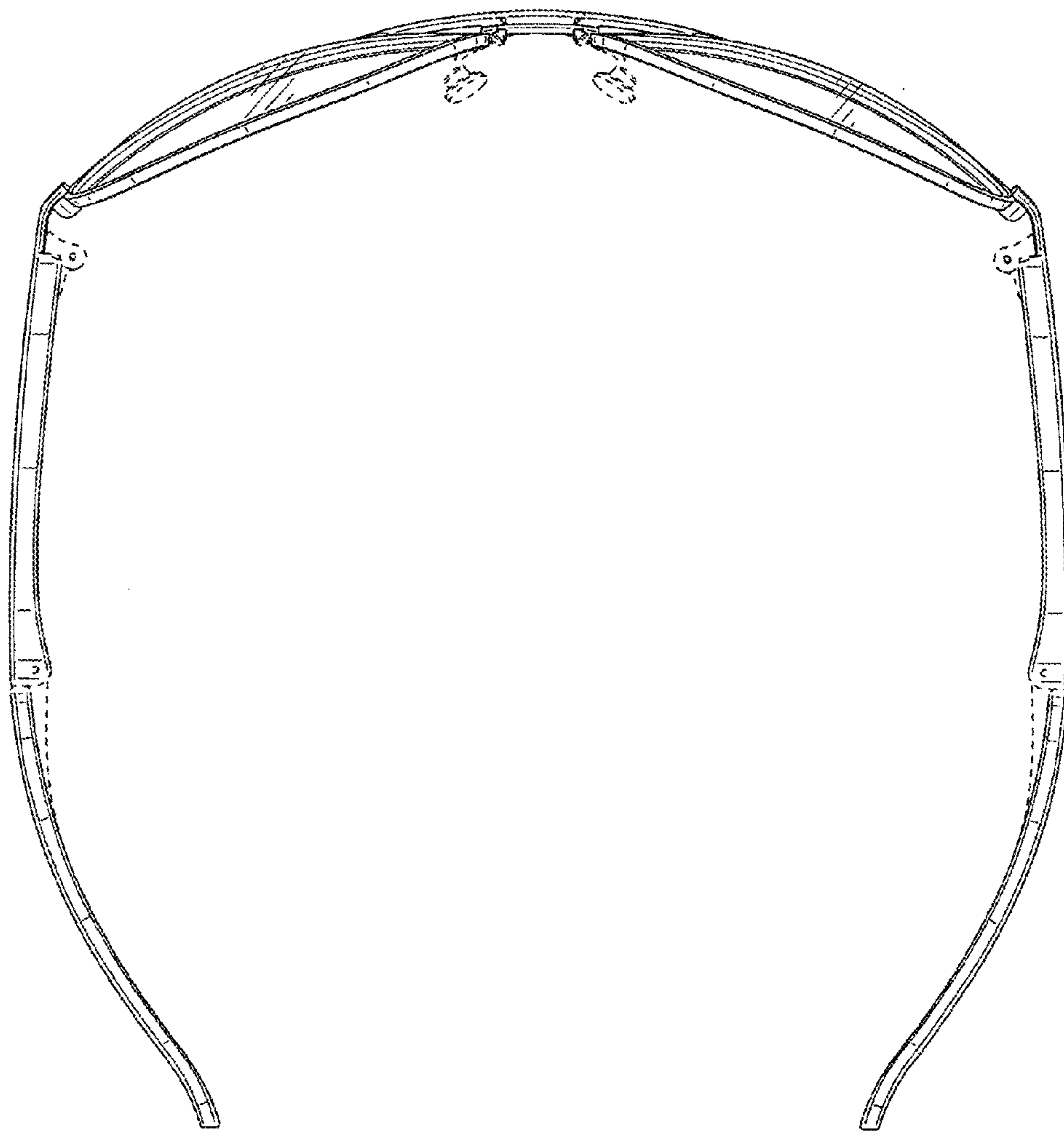


FIG. 7

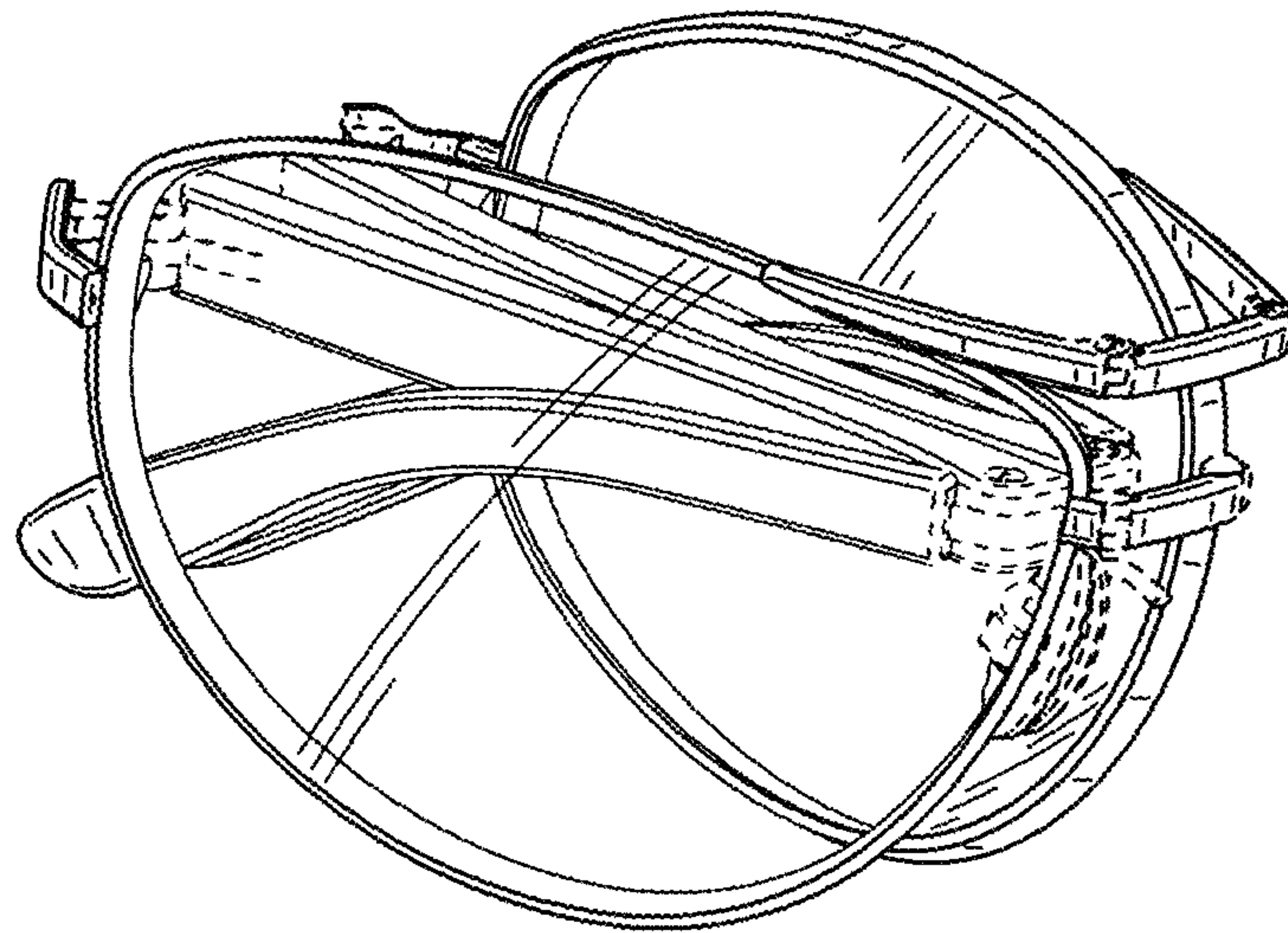


FIG. 8

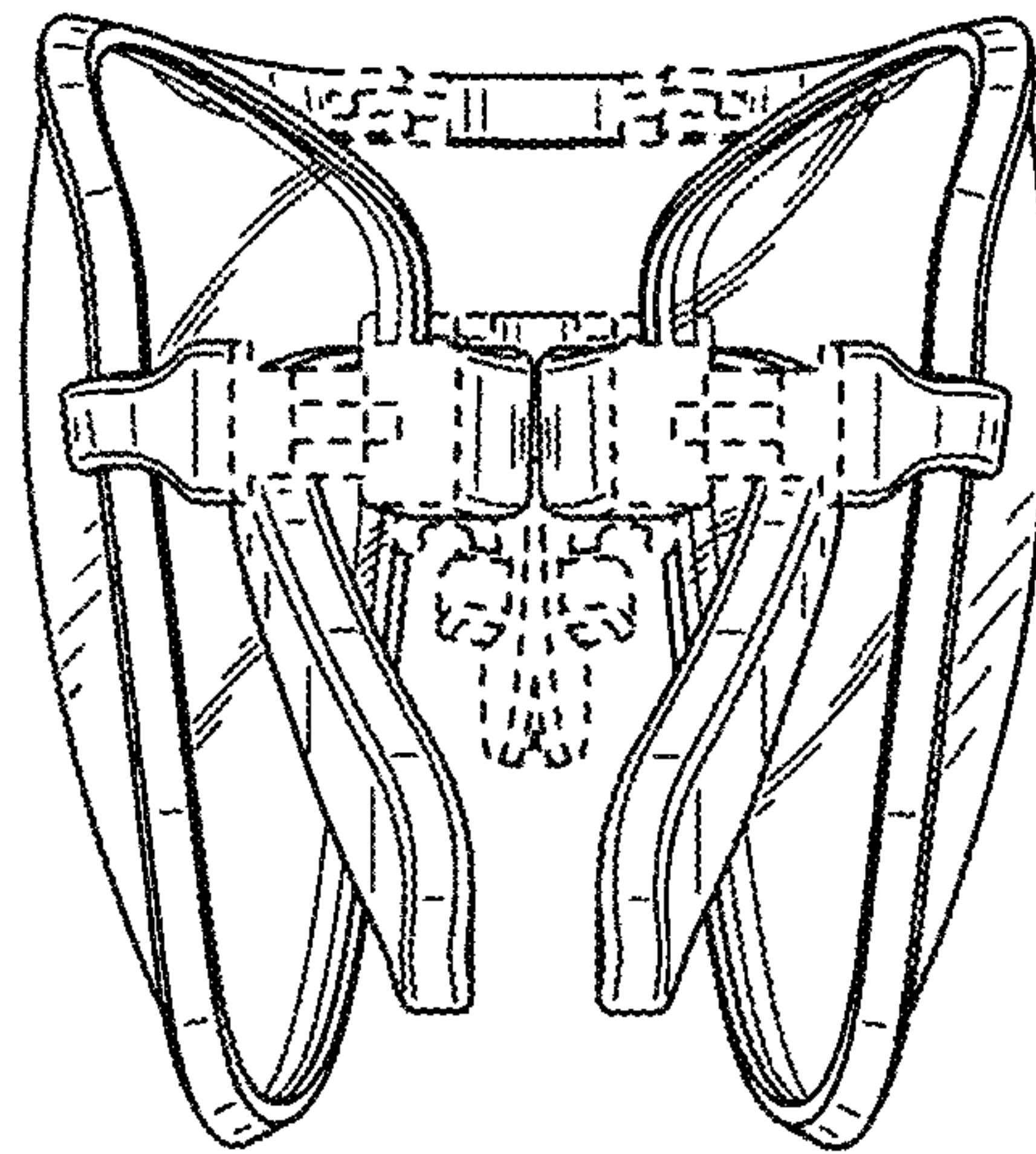


FIG. 9

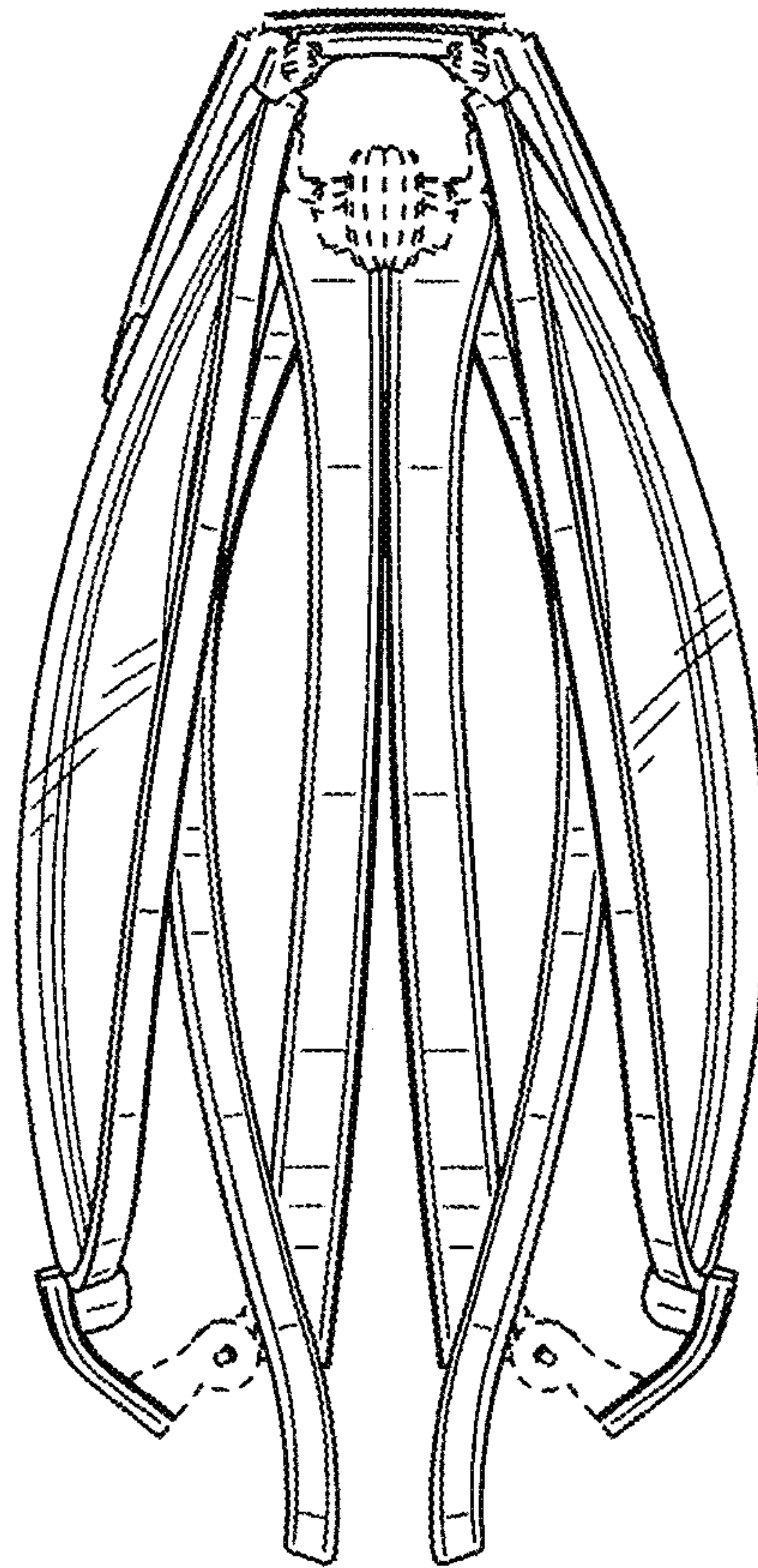


FIG. 10