



US00D745594S

(12) **United States Design Patent**
Yasuda

(10) **Patent No.:** **US D745,594 S**
(45) **Date of Patent:** **** Dec. 15, 2015**

- (54) **HOLDER FOR VIDEO CAMERAS**
- (71) Applicant: **Panasonic Corporation**, Osaka (JP)
- (72) Inventor: **Tomohiro Yasuda**, Osaka (JP)
- (73) Assignee: **Panasonic Intellectual Property Management Co., Ltd.**, Osaka (JP)
- (**) Term: **14 Years**
- (21) Appl. No.: **29/500,260**
- (22) Filed: **Aug. 22, 2014**
- (30) **Foreign Application Priority Data**

Mar. 10, 2014 (JP) 2014-004931

- (51) **LOC (10) Cl.** **16-05**
- (52) **U.S. Cl.**
USPC **D16/242**
- (58) **Field of Classification Search**
USPC D14/142, 188, 192, 205, 223, 496;
D16/237, 242-245; 345/8; 359/630,
359/811; 379/430, 431; 396/419, 420, 421,
396/423, 428
See application file for complete search history.

(56) **References Cited**

U.S. PATENT DOCUMENTS

- 5,757,339 A * 5/1998 Williams et al. 345/8
- D585,050 S * 1/2009 Gondo D14/205

- D683,783 S * 6/2013 Konishi et al. D16/242
- D706,745 S * 6/2014 Nakagawa D14/205
- D722,999 S * 2/2015 Ishikura D14/205

* cited by examiner

Primary Examiner — Susan Bennett Hattan

Assistant Examiner — Leanne Was

(74) *Attorney, Agent, or Firm* — Panasonic Patent Center

(57) **CLAIM**

I claim the ornamental design for a holder for video cameras, as shown and described.

DESCRIPTION

FIG. 1 is a front perspective view of a holder for video cameras of the present invention;
 FIG. 2 is a front view thereof;
 FIG. 3 is a rear view thereof;
 FIG. 4 is a top view thereof;
 FIG. 5 is a bottom view thereof;
 FIG. 6 is a left side view thereof; and,
 FIG. 7 is a right side view thereof.
 The broken line showing of holder for video cameras is included for the purpose of illustrating environment and forms no part of the claimed design.

1 Claim, 7 Drawing Sheets

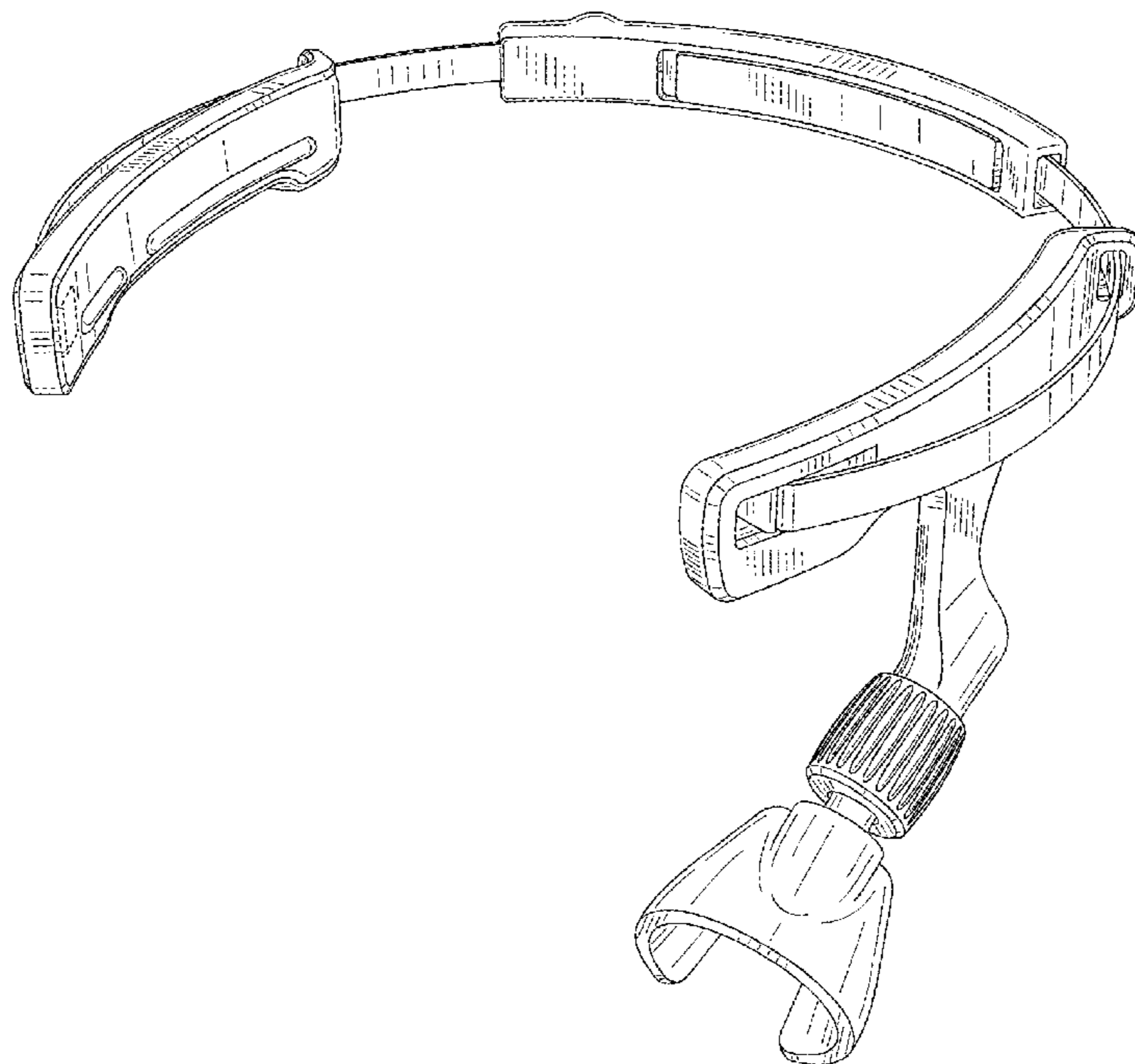


FIG. 1

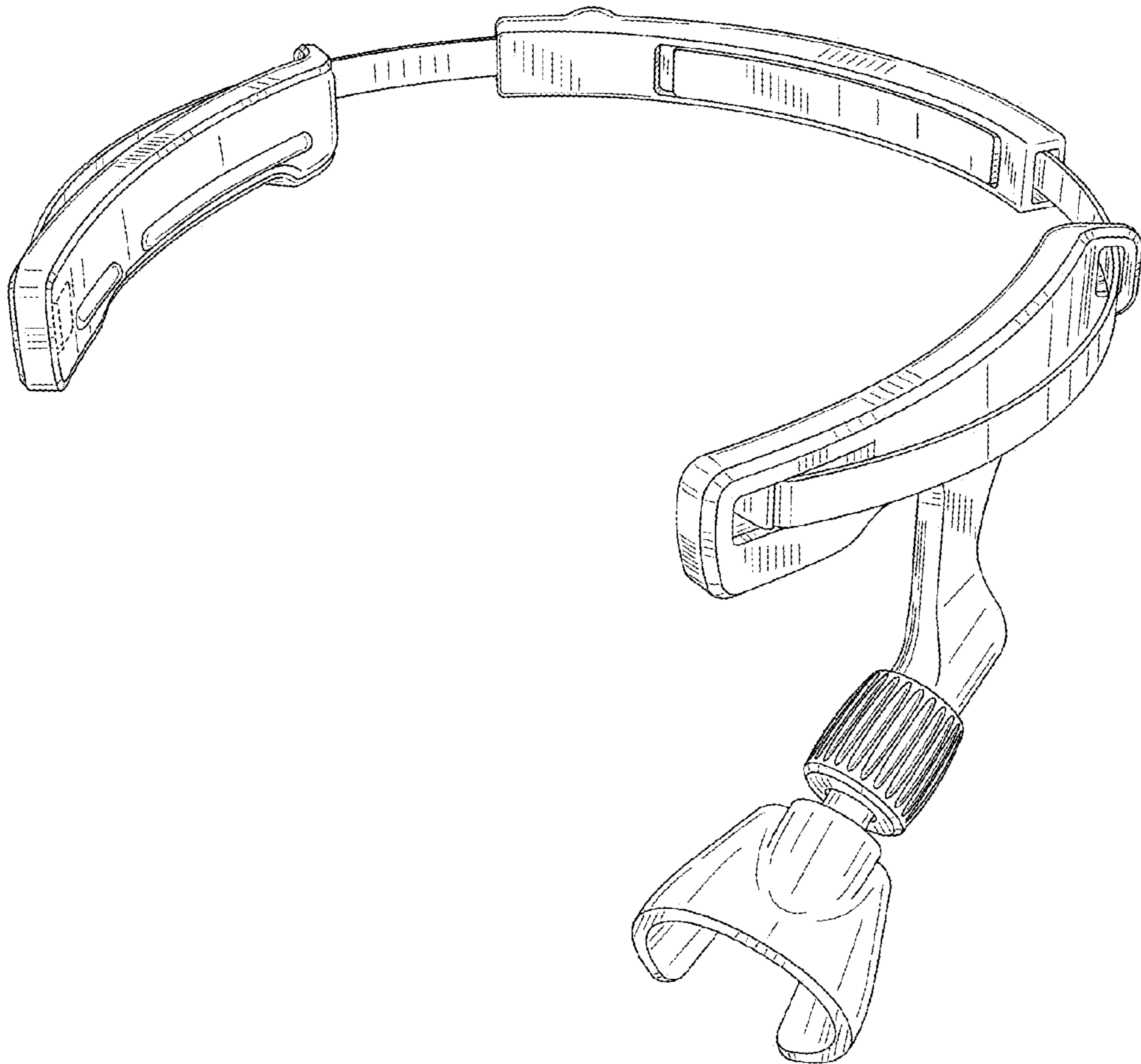


FIG. 2

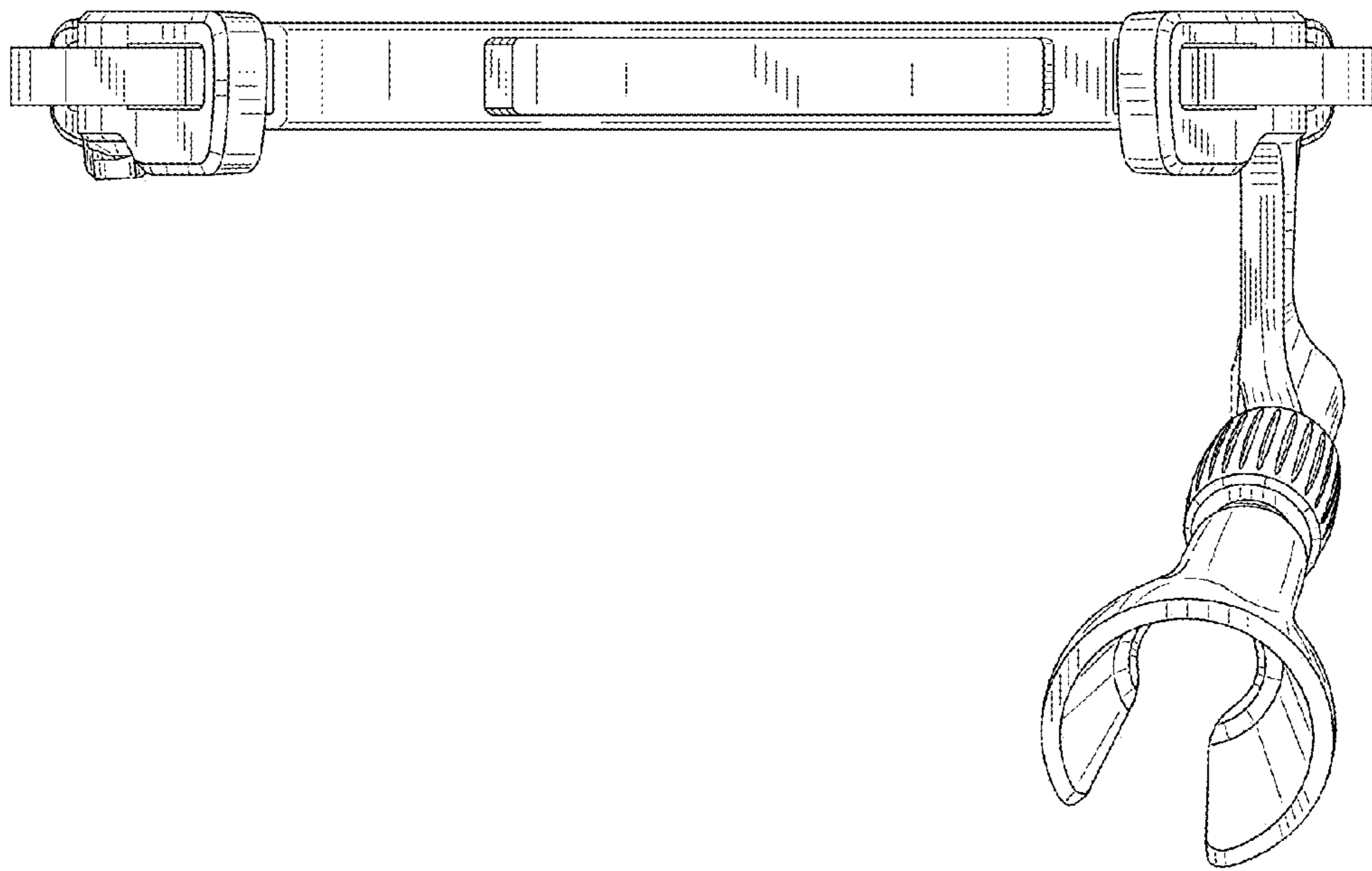


FIG. 3

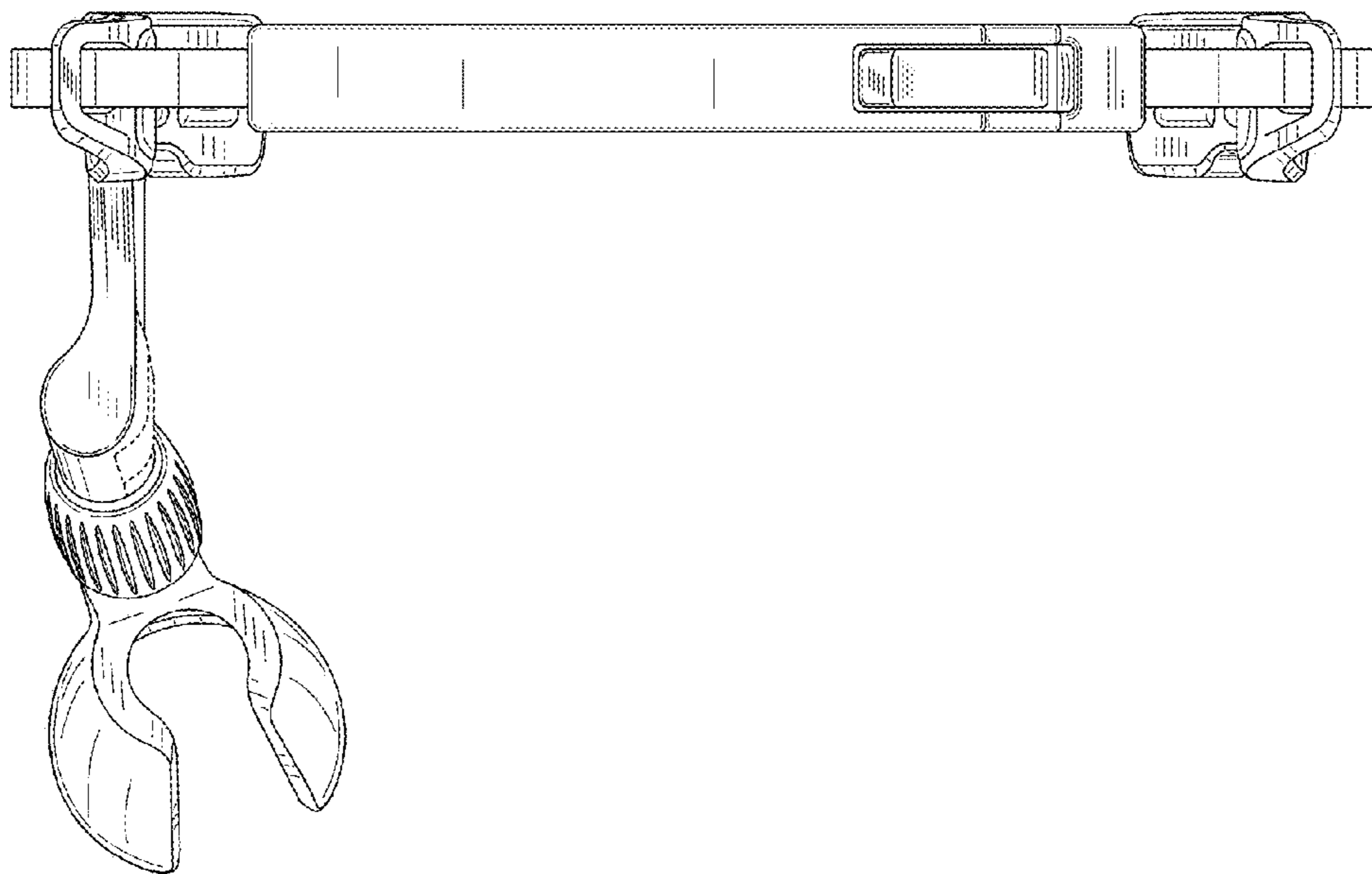


FIG. 4

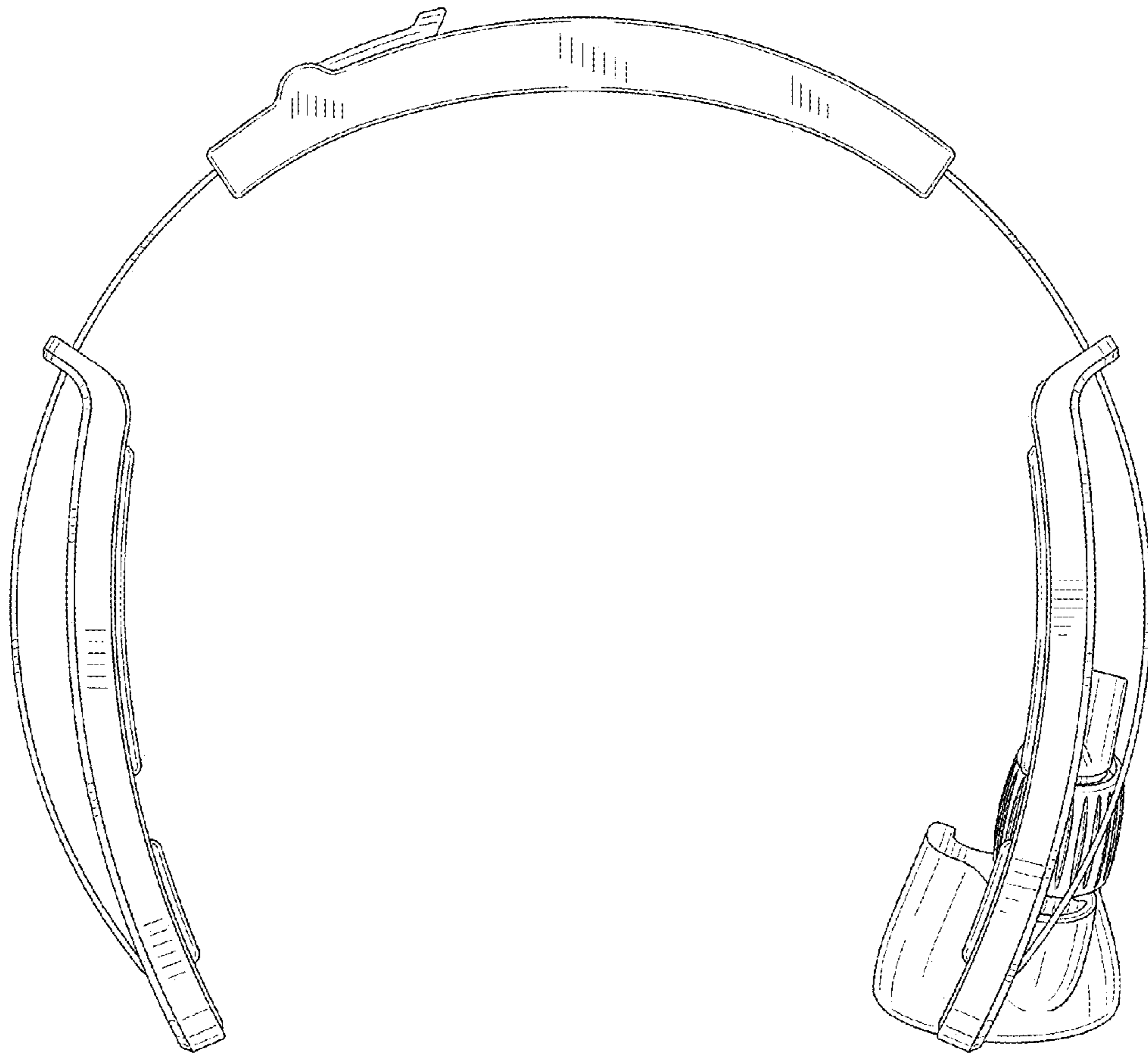


FIG. 5

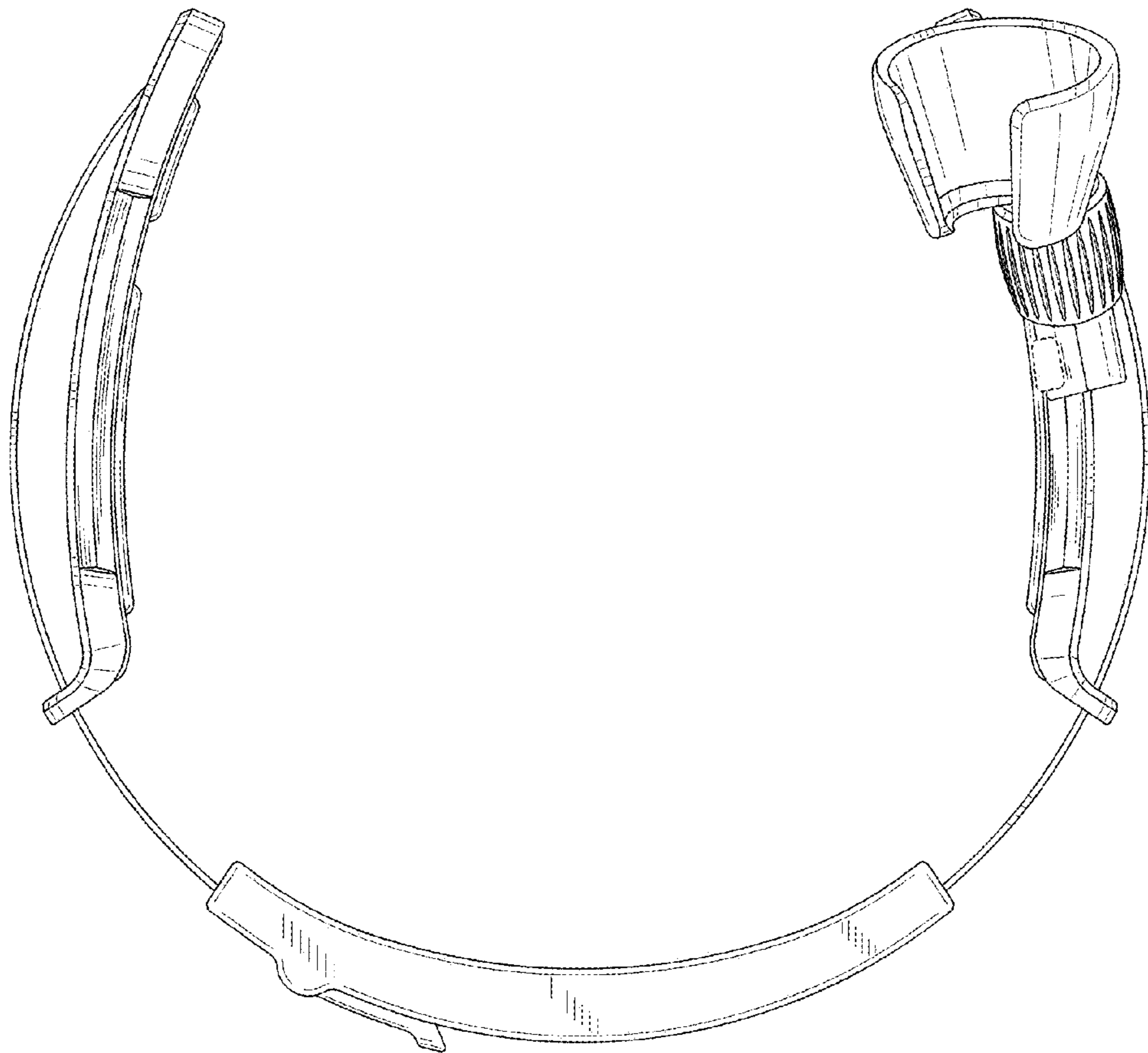


FIG. 6

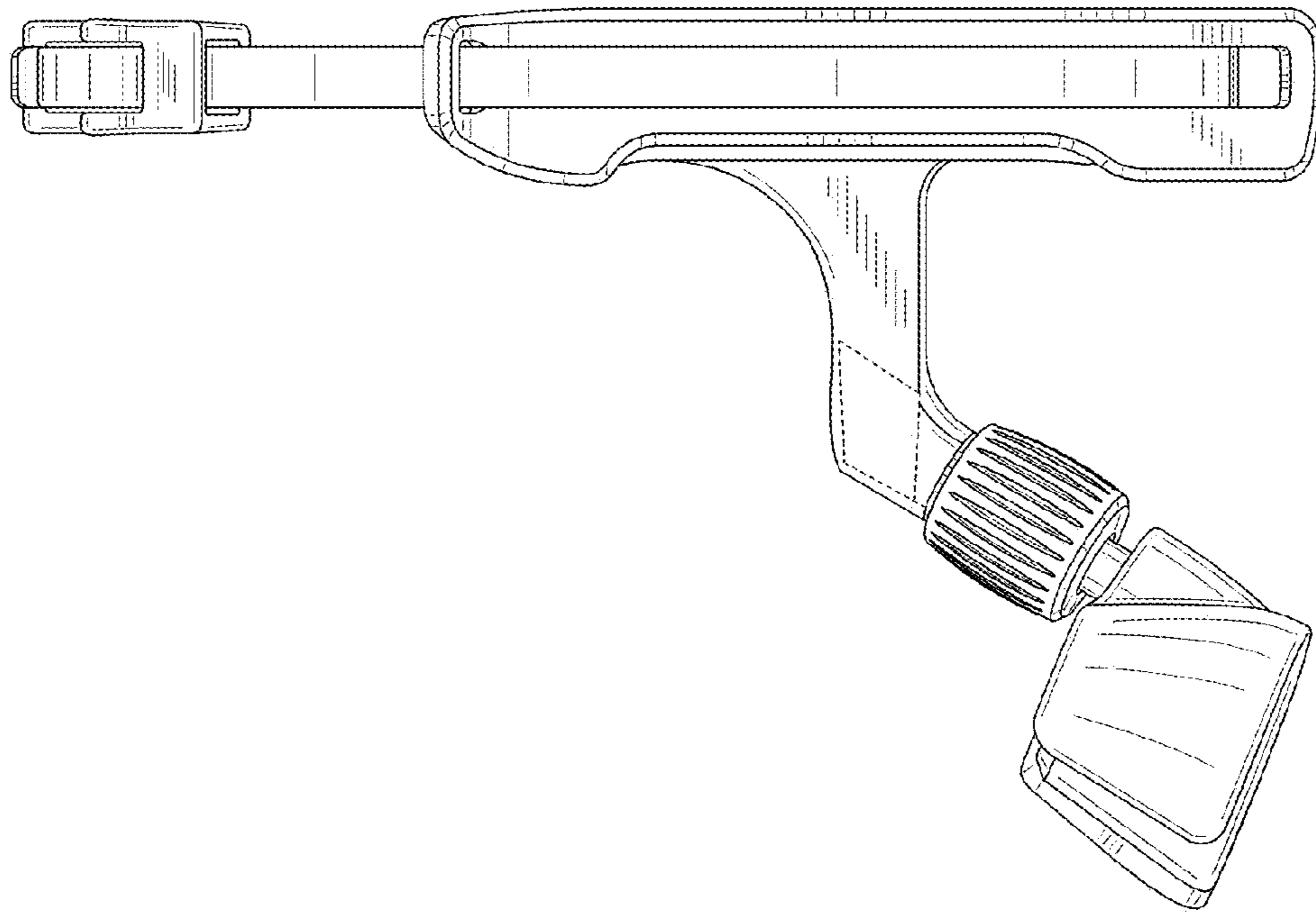


FIG. 7

