



US00D745593S

(12) **United States Design Patent**
Wu et al.

(10) **Patent No.:** **US D745,593 S**

(45) **Date of Patent:** **** Dec. 15, 2015**

(54) **PROJECTOR**

(71) Applicant: **Acer Incorporated**, New Taipei (TW)

(72) Inventors: **Ming-Cheng Wu**, New Taipei (TW);
Wei-Chen Lee, New Taipei (TW)

(73) Assignee: **Acer Incorporated**, New Taipei (TW)

(**) Term: **14 Years**

(21) Appl. No.: **29/509,303**

(22) Filed: **Nov. 17, 2014**

(30) **Foreign Application Priority Data**

Oct. 20, 2014 (TW) 103306136

(51) **LOC (10) Cl.** **16-02**

(52) **U.S. Cl.**
USPC **D16/235**

(58) **Field of Classification Search**
USPC D16/221, 225, 230–231, 234–235;
D21/514; 353/115, 119, 122
CPC G03B 21/00; G03B 17/54; G03B 21/001
See application file for complete search history.

(56) **References Cited**

U.S. PATENT DOCUMENTS

D473,253	S	*	4/2003	Shimamoto	D16/231
6,886,948	B2	*	5/2005	Nakano	353/119
D506,770	S	*	6/2005	Saeki et al.	D16/230
D545,862	S	*	7/2007	Kawasaki et al.	D16/230
D553,172	S	*	10/2007	Azuma	D16/230
D577,051	S	*	9/2008	Yamamizu	D16/230

* cited by examiner

Primary Examiner — Wan Laymon

(74) *Attorney, Agent, or Firm* — Jianq Chyun IP Office

(57) **CLAIM**

The ornamental design for a projector, as shown and described.

DESCRIPTION

FIG. 1 is a perspective view of a projector showing our new design;

FIG. 2 is another perspective view thereof;

FIG. 3 is a front view thereof;

FIG. 4 is a rear view thereof;

FIG. 5 is a left side view thereof;

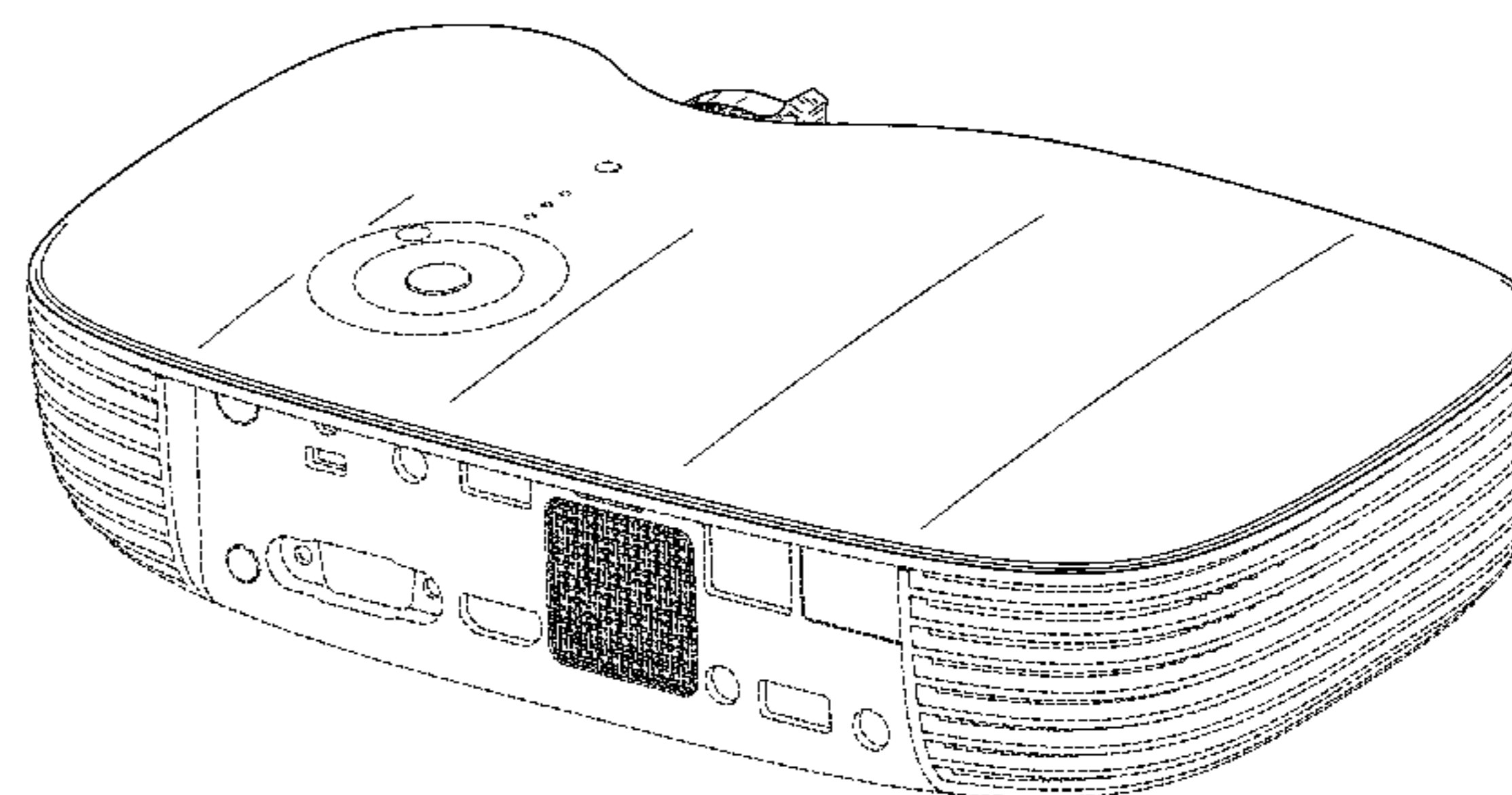
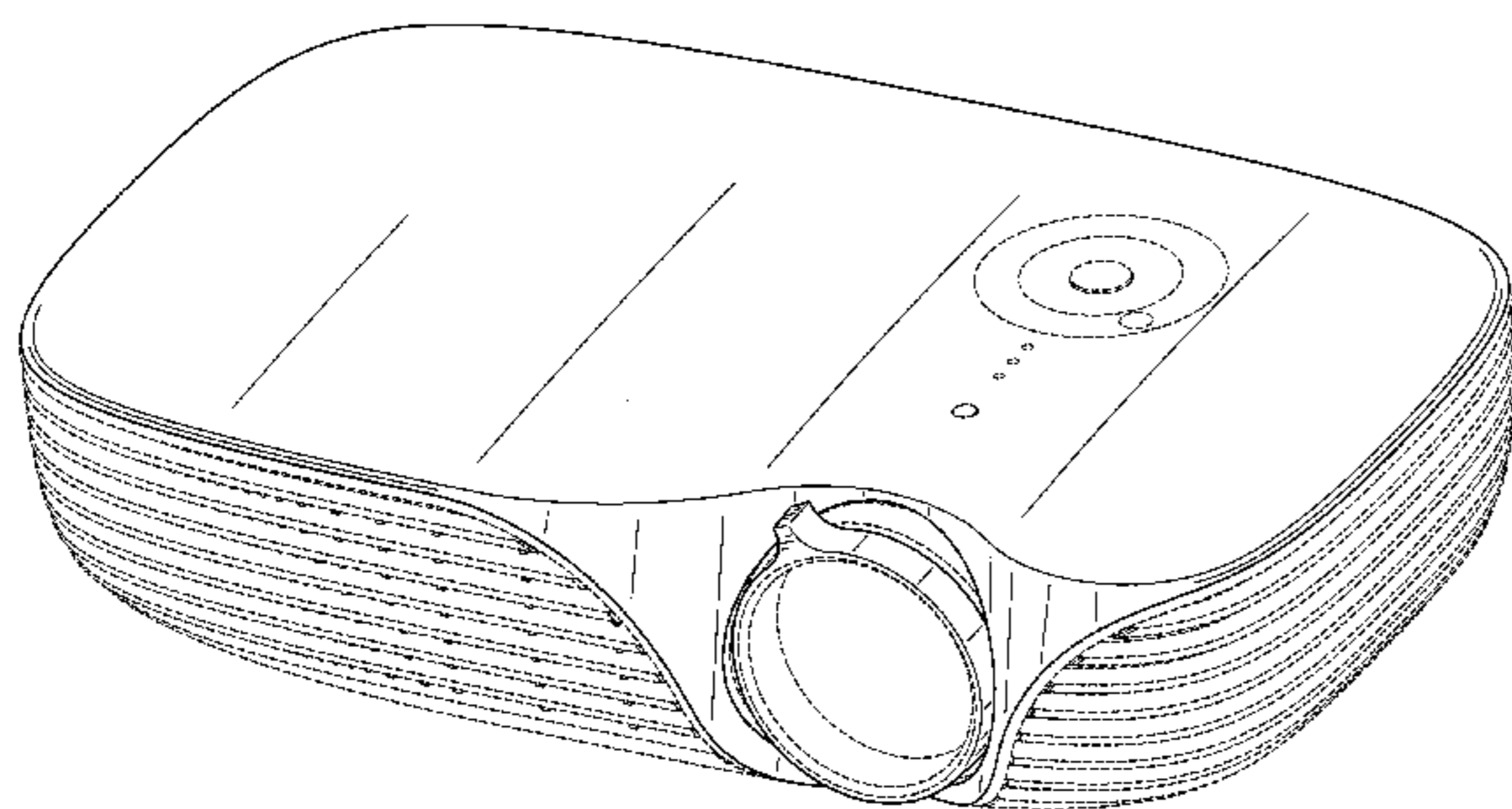
FIG. 6 is a right side view thereof;

FIG. 7 is a top view thereof; and,

FIG. 8 is a bottom view thereof.

The broken lines showing in the views are for the purpose of illustrating environmental structure and form no part of the claimed design.

1 Claim, 8 Drawing Sheets



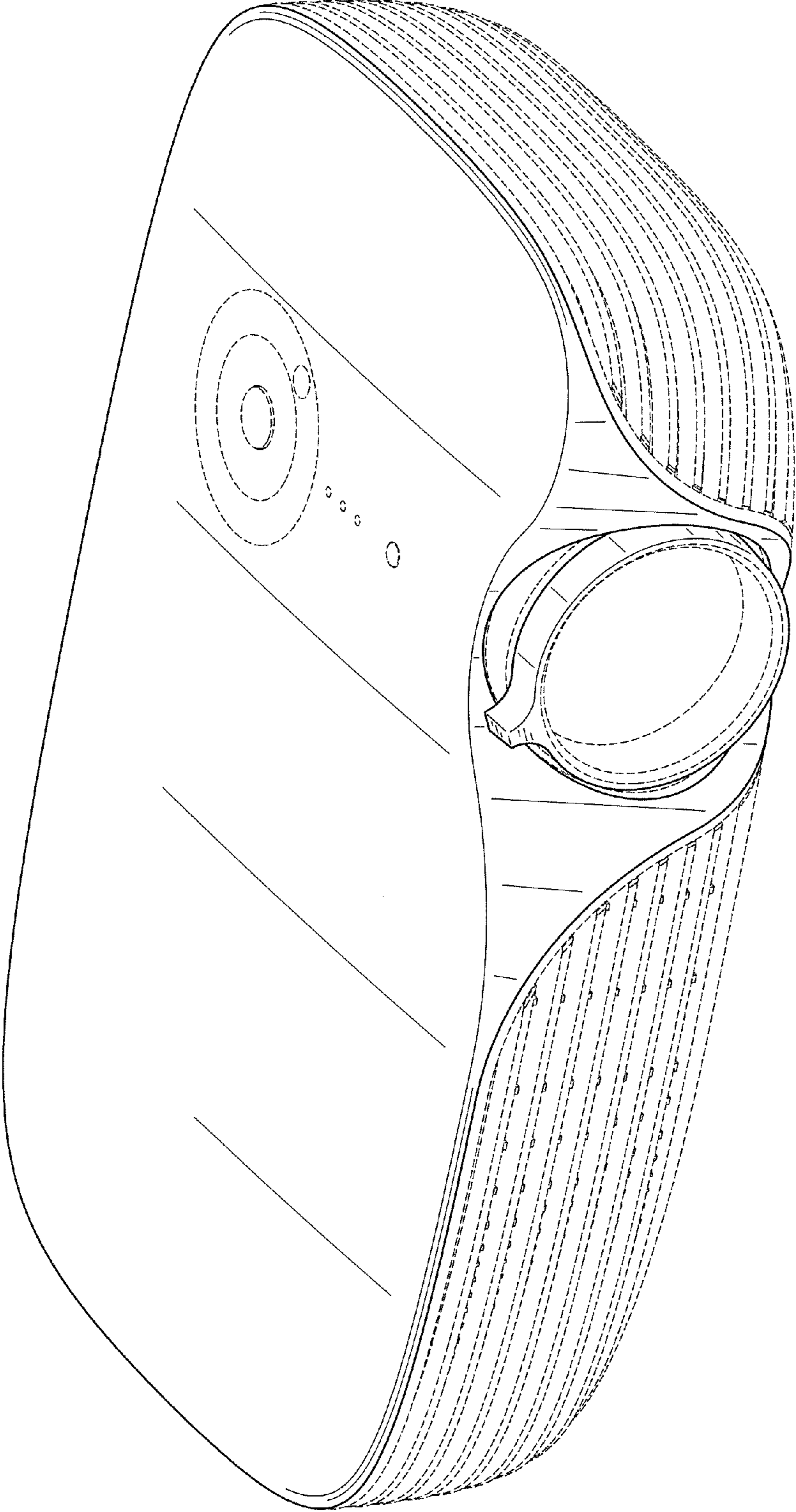


FIG. 1

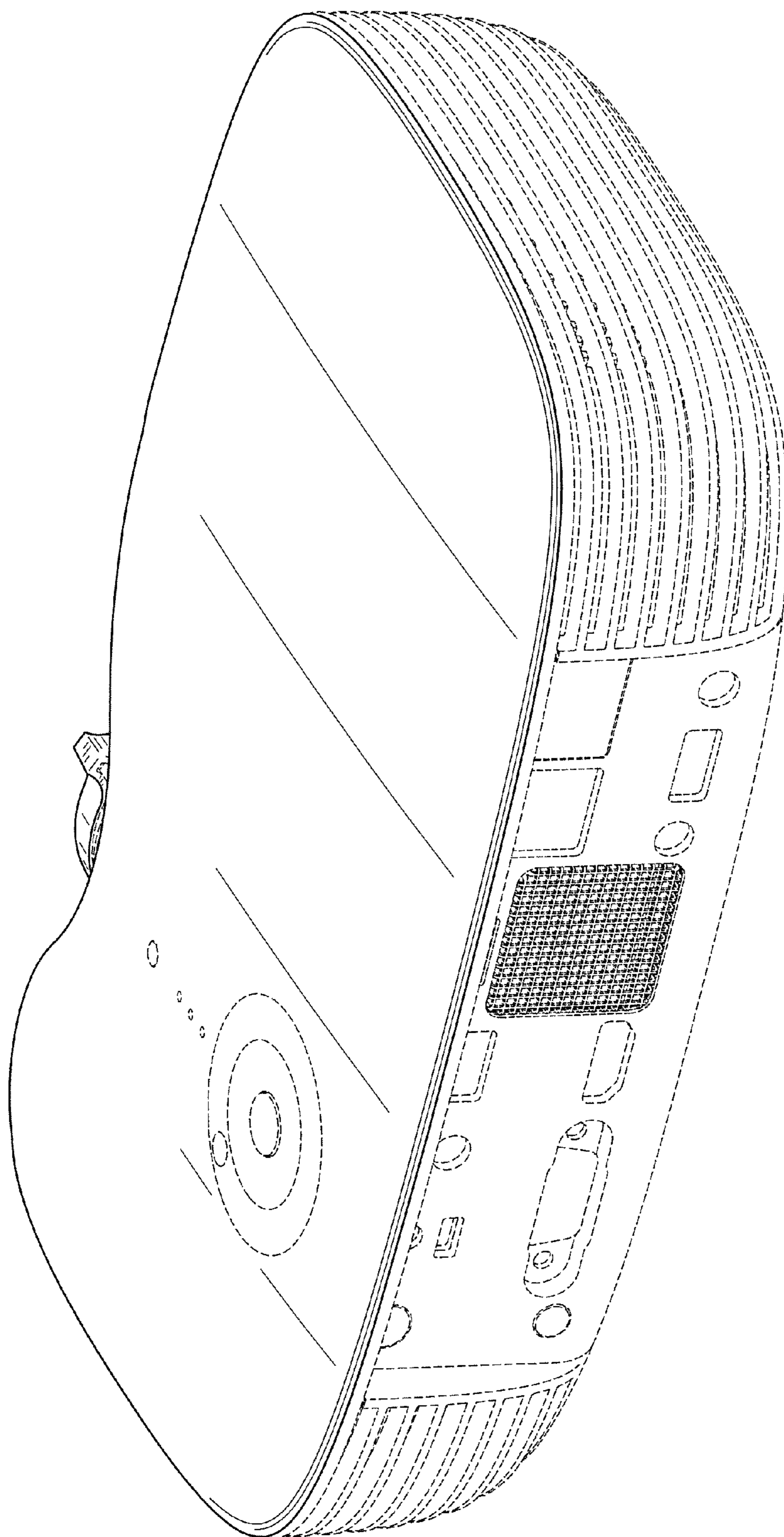


FIG. 2

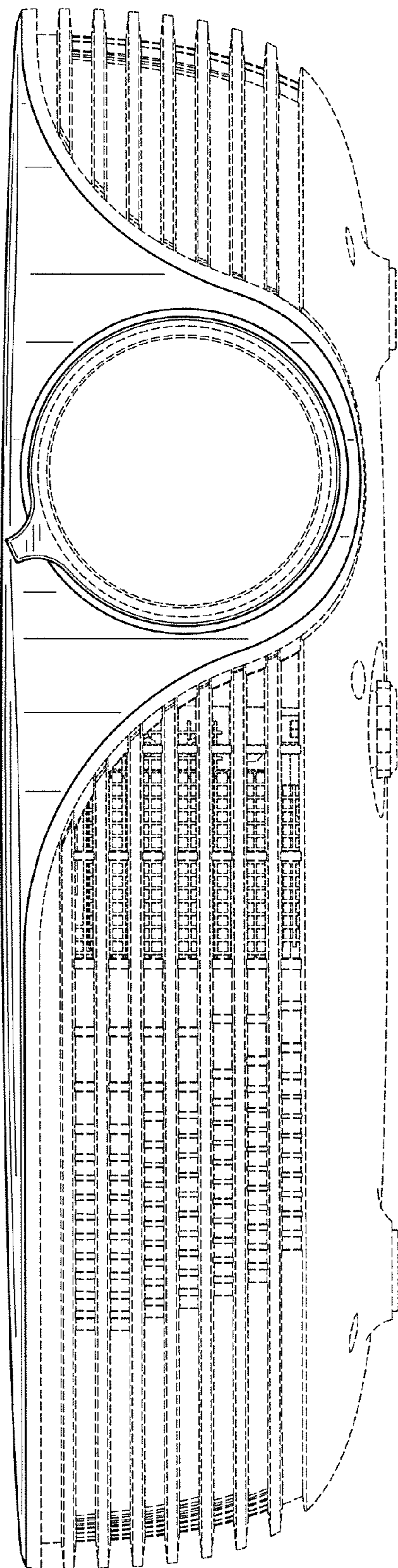


FIG. 3

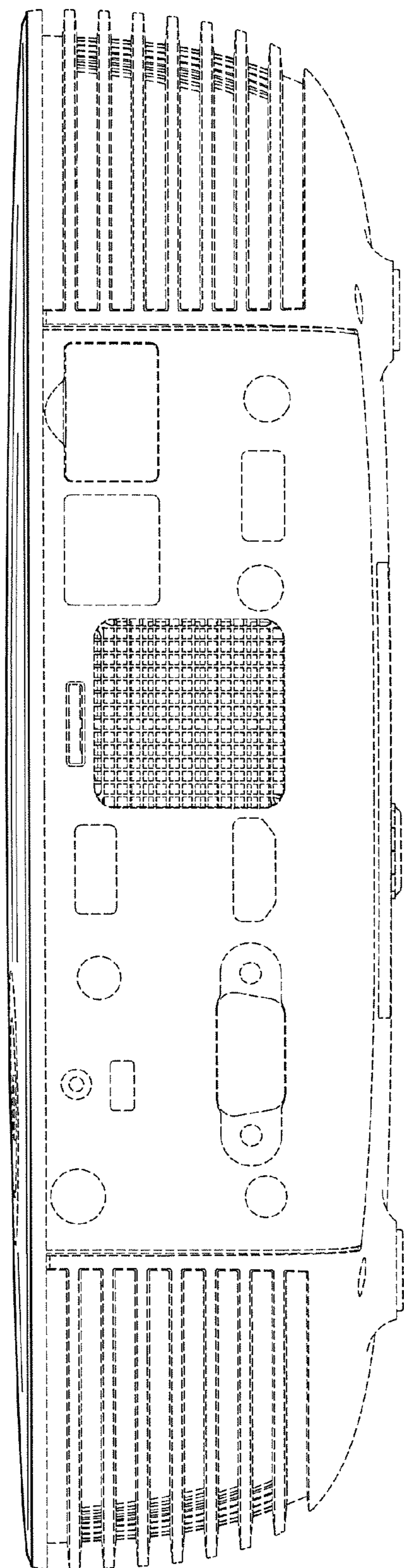


FIG. 4

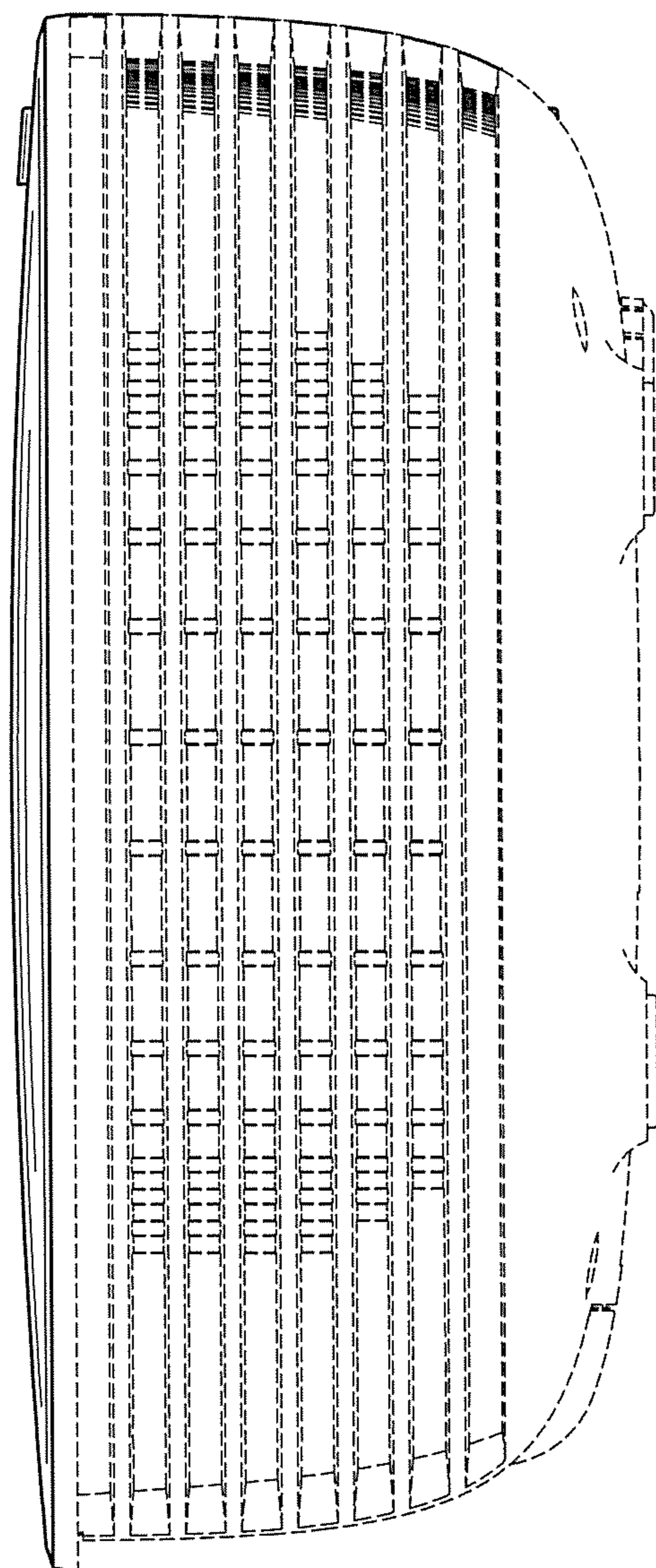


FIG. 5

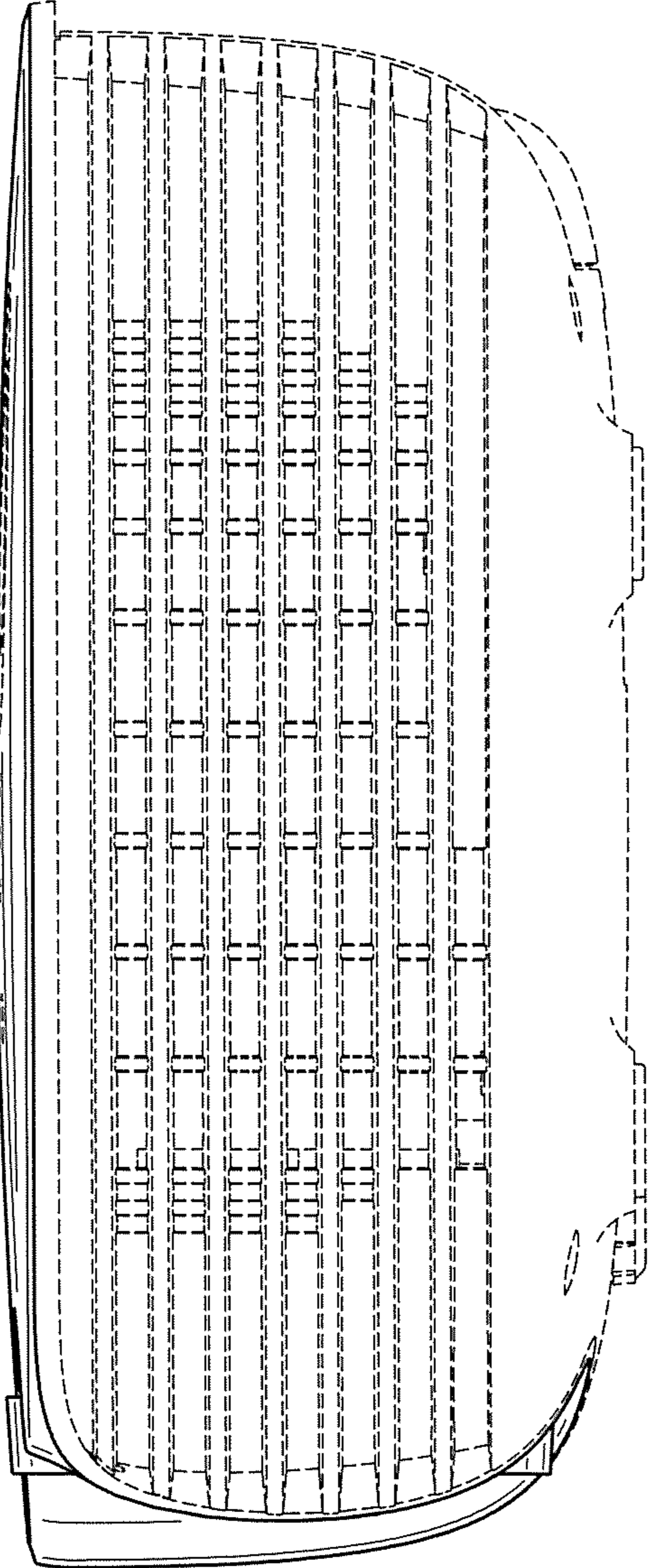


FIG. 6

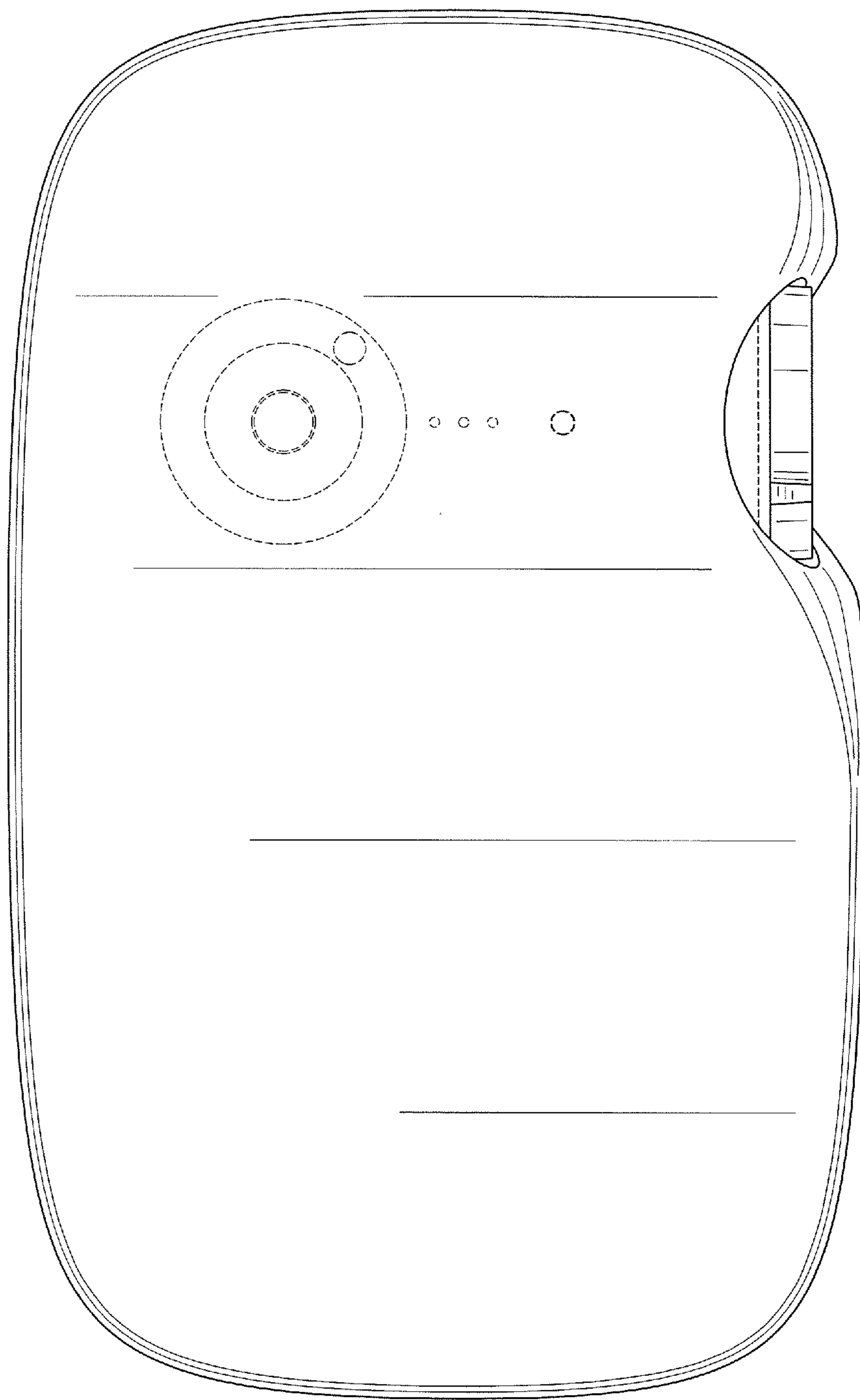


FIG. 7

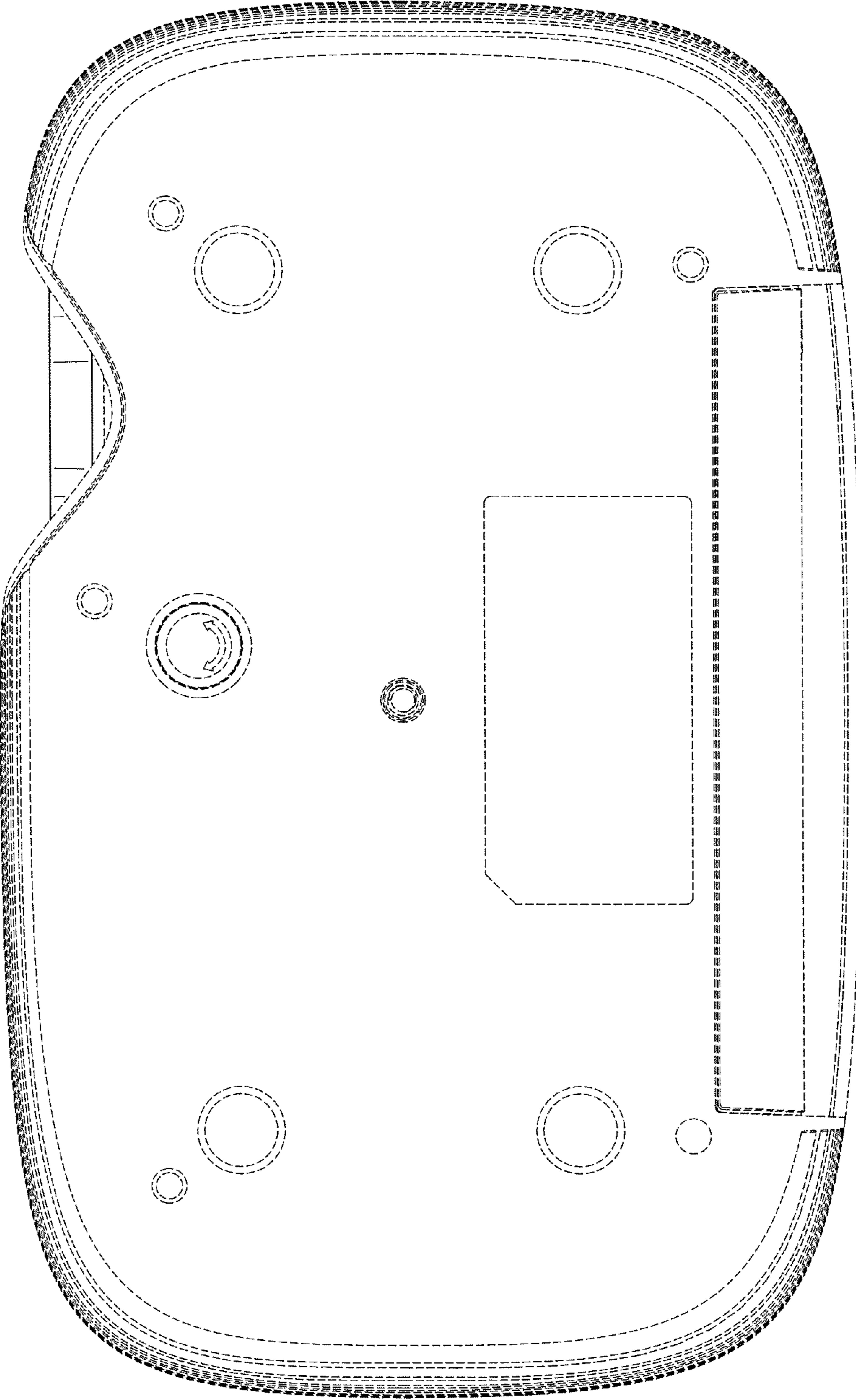


FIG. 8