



US00D745591S

(12) **United States Design Patent**  
**Oh**

(10) **Patent No.:** **US D745,591 S**

(45) **Date of Patent:** **\*\* Dec. 15, 2015**

(54) **ADAPTER FOR CAMERA LENS**

(56) **References Cited**

(71) Applicant: **Samsung Electronics Co., Ltd.**,  
Suwon-si, Gyeonggi-do (KR)

(72) Inventor: **San-Hui Oh**, Seoul (KR)

(73) Assignee: **SAMSUNG ELECTRONICS CO., LTD.** (KR)

(\*\*) Term: **14 Years**

(21) Appl. No.: **29/501,956**

(22) Filed: **Sep. 10, 2014**

(30) **Foreign Application Priority Data**

Mar. 19, 2014 (KR) ..... 30-2014-0013583

(51) **LOC (10) Cl.** ..... **16-05**

(52) **U.S. Cl.**  
USPC ..... **D16/219**; D16/136

(58) **Field of Classification Search**  
USPC ..... D16/134, 136, 200, 202–205, 218, 219;  
348/373–376; 359/826–828;  
396/529–532, 535, 539–541  
CPC ..... G03B 17/02; G03B 19/04; G03B 17/56;  
G03B 17/04; G03B 15/03; G03B 17/14;  
H04N 5/2251; H04N 5/2252; H04N 5/2253;  
H04N 5/2254

See application file for complete search history.

U.S. PATENT DOCUMENTS

8,002,483	B2 *	8/2011	Fujiwara et al. ....	396/531
D670,751	S *	11/2012	Koyama et al. ....	D16/134
D698,843	S *	2/2014	Hasuda .....	D16/219
D699,773	S *	2/2014	Hasuda .....	D16/134
D705,841	S *	5/2014	Hasuda .....	D16/134
D706,326	S *	6/2014	Hasuda .....	D16/134
D721,117	S *	1/2015	Hasuda .....	D16/219
D732,101	S *	6/2015	Hasuda .....	D16/219

\* cited by examiner

*Primary Examiner* — Adir Aronovich

(74) *Attorney, Agent, or Firm* — Cantor Colburn LLP

(57) **CLAIM**

The ornamental design for an adapter for camera lens, as shown and described.

**DESCRIPTION**

FIG. 1 is a front perspective view of an adapter for camera lens showing my new design;  
FIG. 2 is front elevational view thereof;  
FIG. 3 is rear elevational view thereof;  
FIG. 4 is a right side elevational view thereof;  
FIG. 5 is a left side elevational view thereof;  
FIG. 6 is a top plan view thereof; and,  
FIG. 7 is a bottom plan view thereof.  
The broken lines depict the portions of an adapter for camera lens in which the design is embodied and form no part of the claimed design.

**1 Claim, 5 Drawing Sheets**

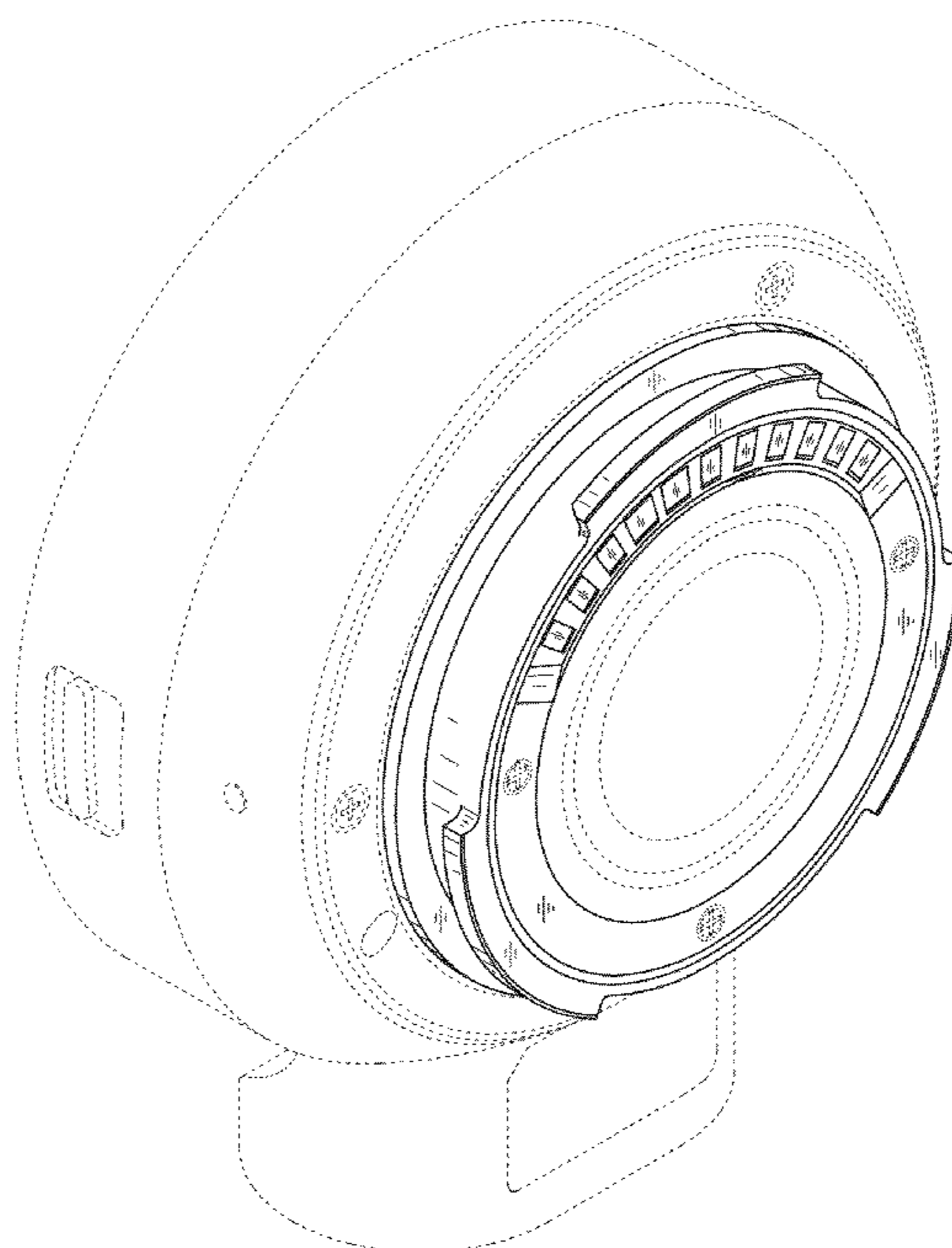


FIG. 1

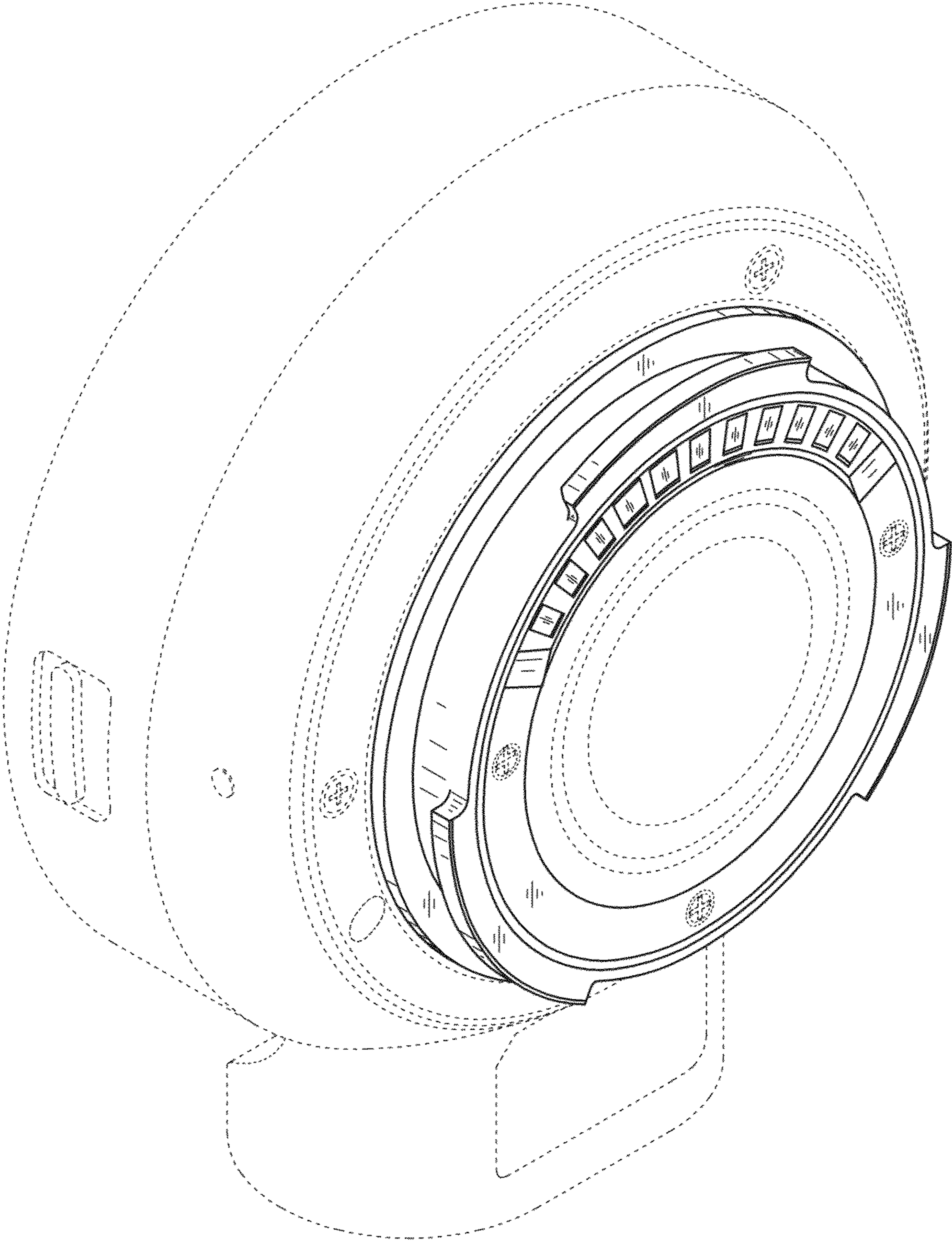


FIG. 2

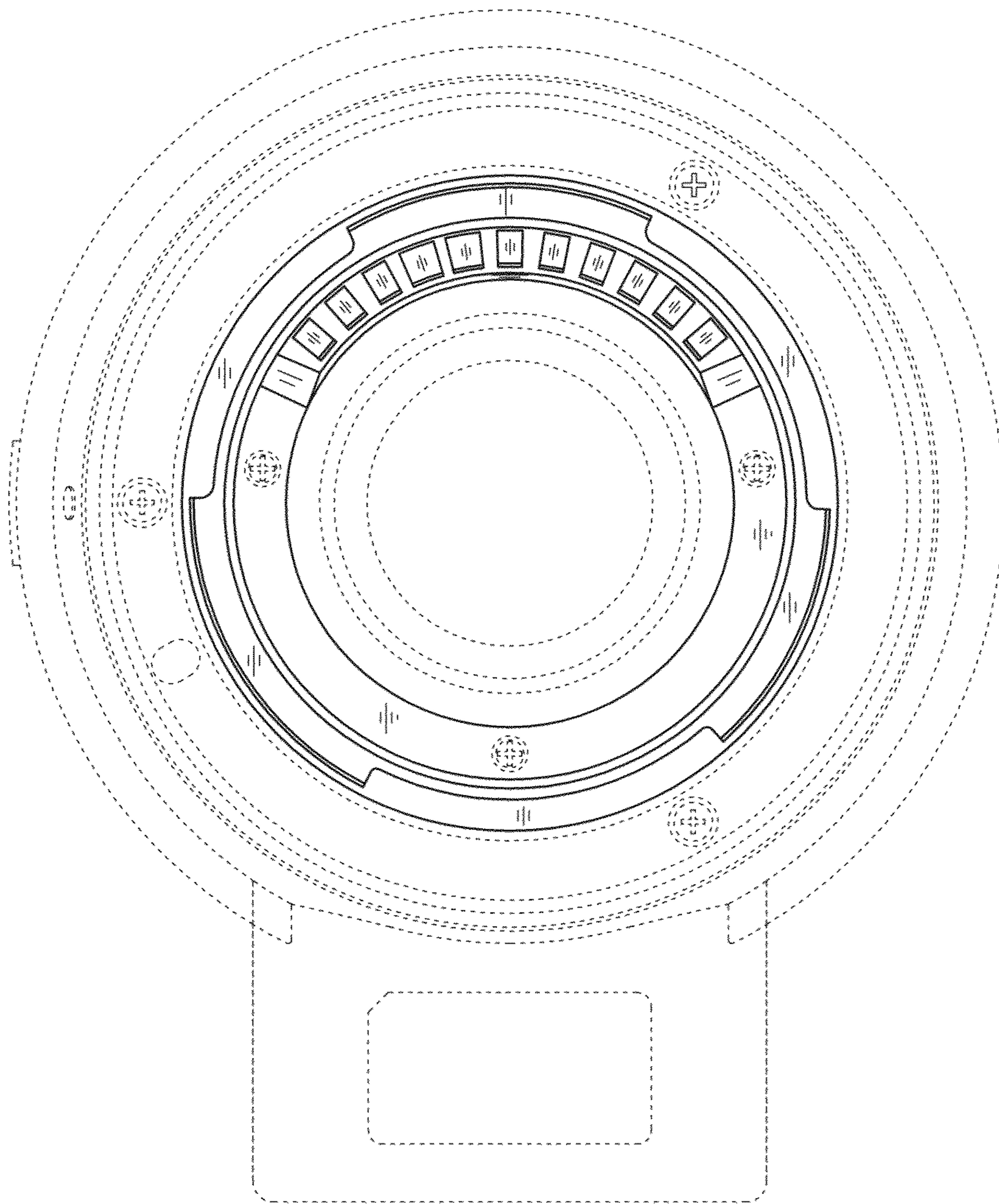




FIG. 3

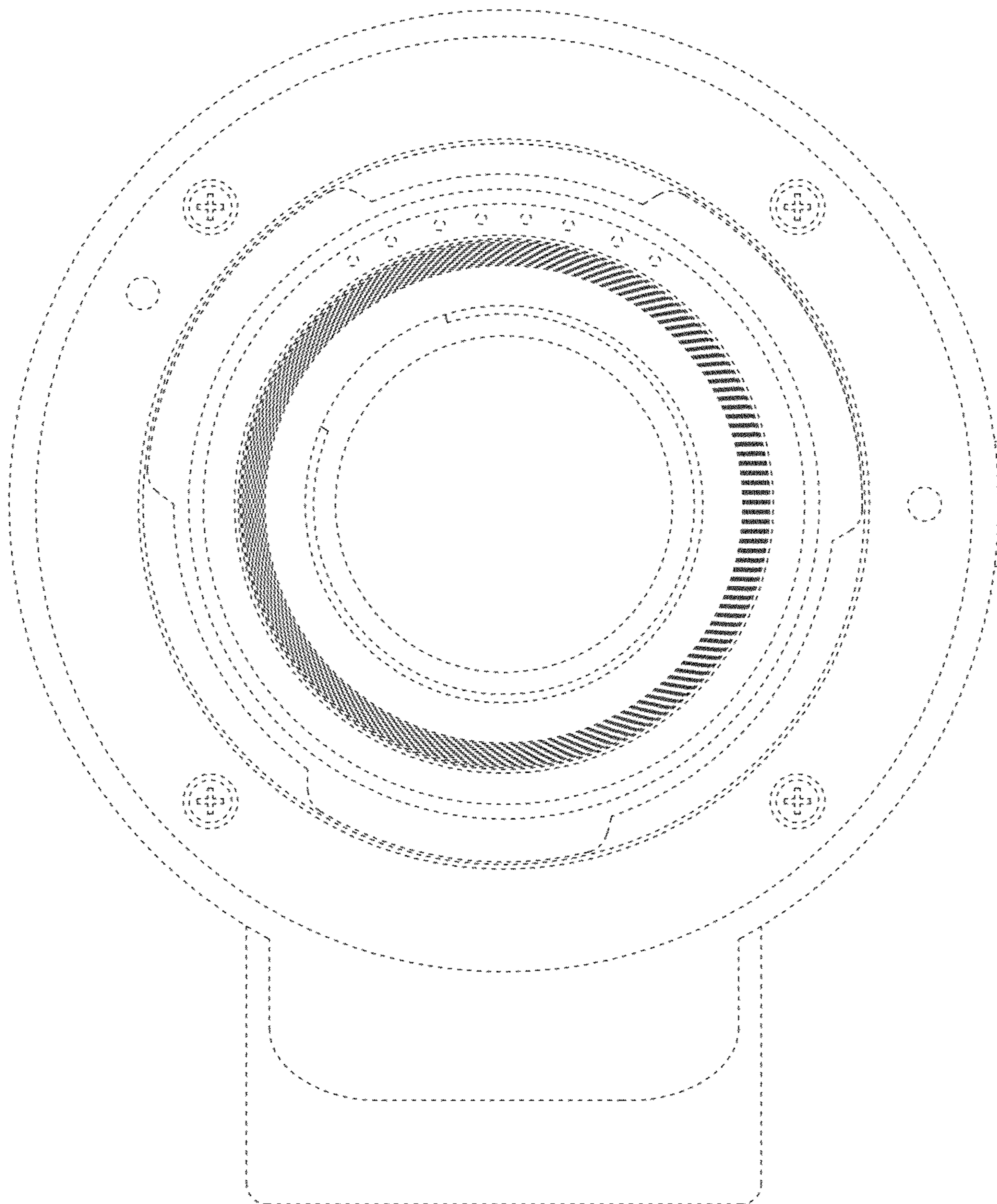


FIG. 4

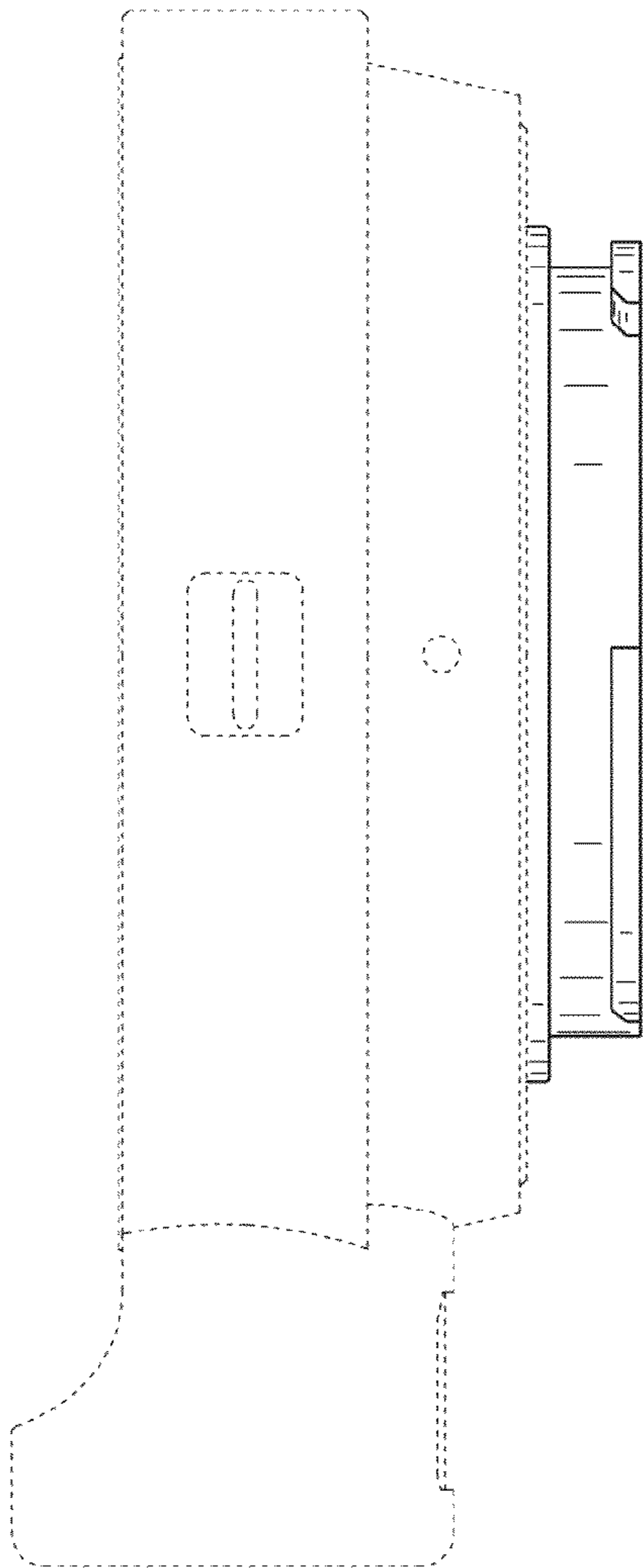


FIG. 5

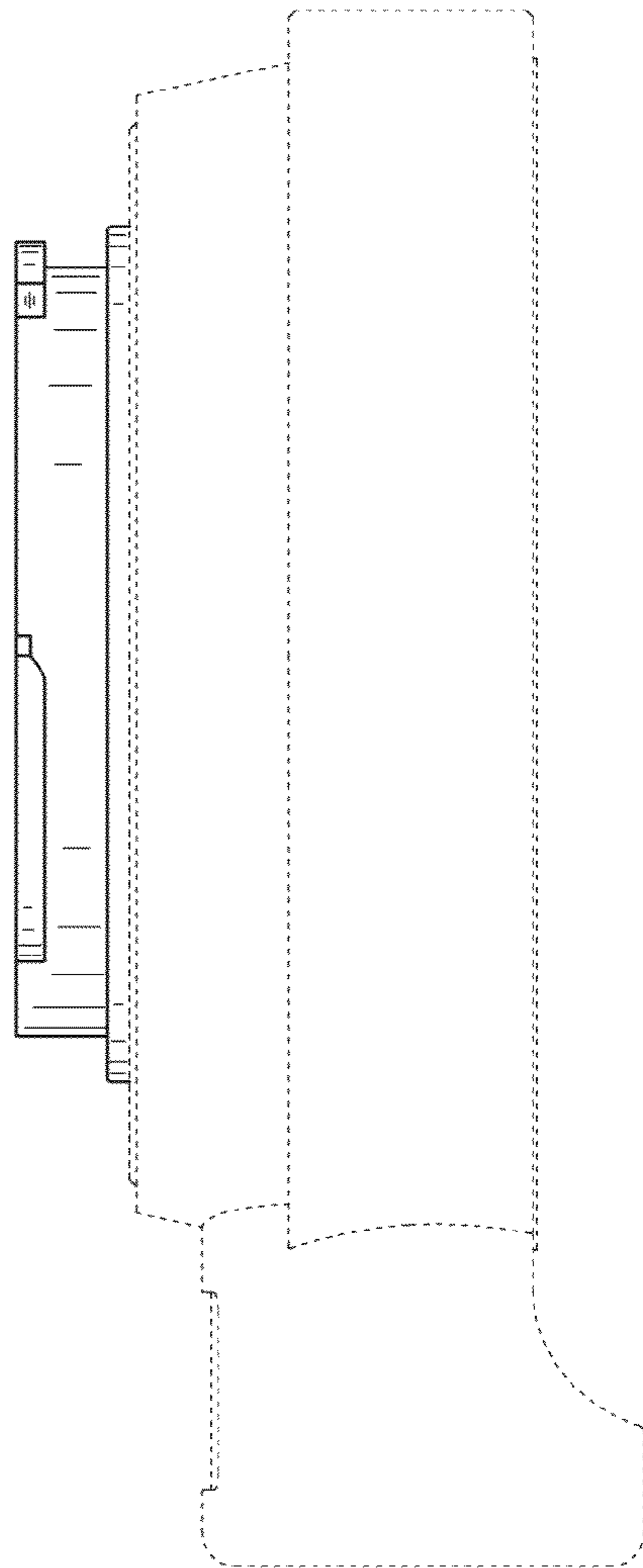


FIG. 6

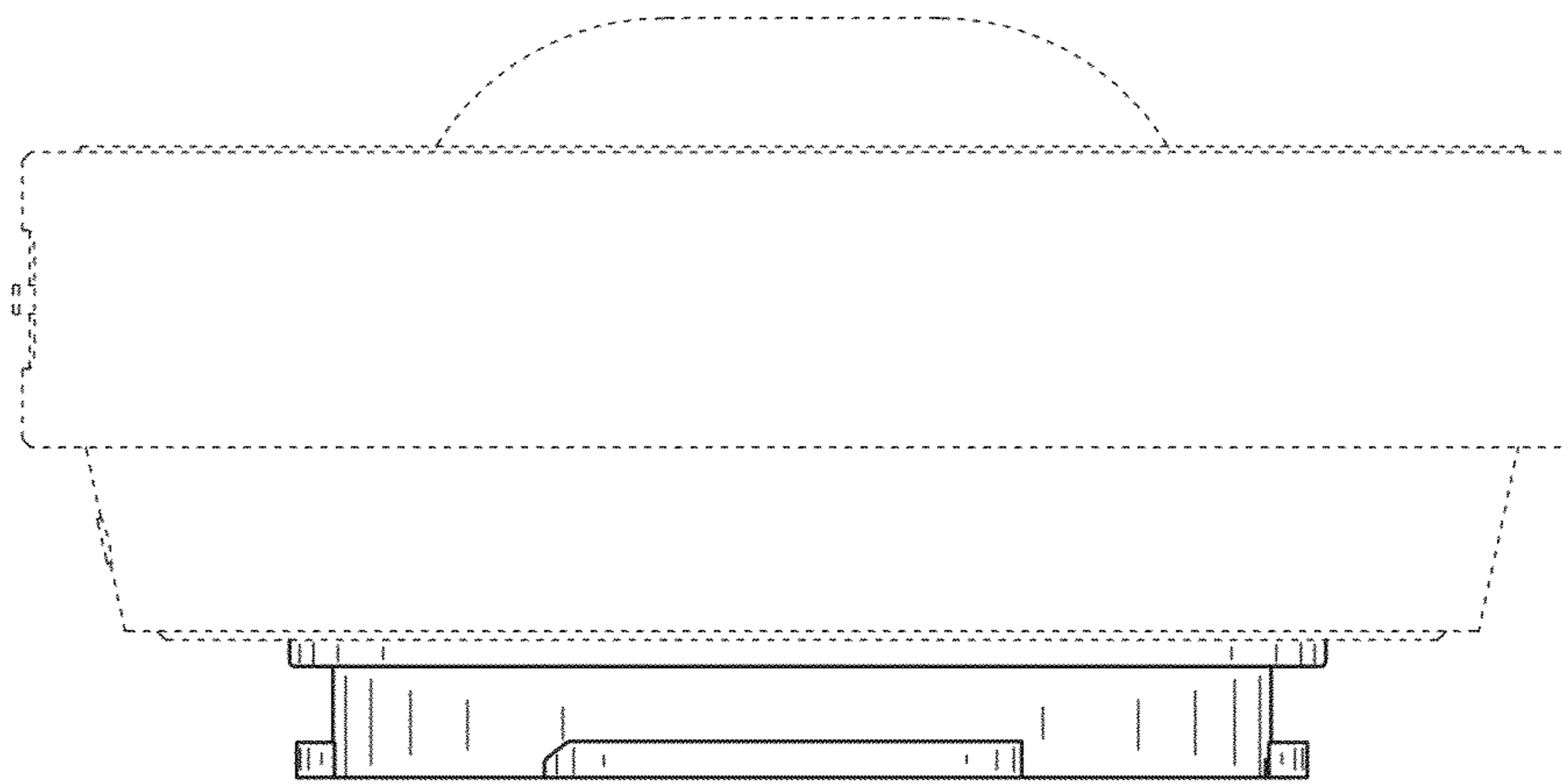


FIG. 7

