



US00D745588S

(12) **United States Design Patent**  
**Cho**

(10) **Patent No.:** **US D745,588 S**

(45) **Date of Patent:** **\*\* Dec. 15, 2015**

(54) **REARVIEW CAMERA**

(71) Applicant: **Eastern Mastec Corp.**, Seoul (KR)

(72) Inventor: **Yongbom Cho**, Seoul (KR)

(73) Assignee: **EASTERN MASTEC CORP.**, Seoul (KR)

(\*\*) Term: **14 Years**

(21) Appl. No.: **29/469,072**

(22) Filed: **Oct. 7, 2013**

(30) **Foreign Application Priority Data**

Jun. 4, 2013 (KR) ..... 30-2013-0029069

(51) **LOC (10) Cl.** ..... **16-01**

(52) **U.S. Cl.**  
USPC ..... **D16/218**

(58) **Field of Classification Search**  
USPC ..... D16/200, 202-204, 207, 208, 210, 218,  
D16/219, 222; D12/400; 340/937; 348/143,  
348/148, 151, 360, 373-376; 396/419, 427,  
396/429, 529, 535, 539-541  
CPC ..... G03B 15/03; G03B 17/02; G03B 17/04;  
G03B 17/48; G03B 17/56; G03B 19/04;  
G08G 1/0175; H04N 5/2251; H04N 5/2252;  
H04N 5/2253; H04N 5/2254; H04N 2101/00;  
B60R 1/00

See application file for complete search history.

(56) **References Cited**

**U.S. PATENT DOCUMENTS**

D450,738 S \* 11/2001 Rak ..... D16/203  
D455,164 S \* 4/2002 Tsang et al. .... D16/202

D508,064 S \* 8/2005 Ramirez ..... D16/200  
D530,732 S \* 10/2006 Tanaka et al. .... D16/202  
D540,358 S \* 4/2007 Orbach ..... D16/202  
D575,318 S \* 8/2008 Dean ..... D16/203  
D624,106 S \* 9/2010 Cho et al. .... D16/203  
D647,933 S \* 11/2011 Raken et al. .... D16/202  
D647,934 S \* 11/2011 Raken et al. .... D16/202  
D664,579 S \* 7/2012 Tzeng ..... D16/202  
8,432,446 B2 \* 4/2013 Son ..... 348/148  
D705,337 S \* 5/2014 Tani ..... D16/219  
2006/0171704 A1 \* 8/2006 Bingle et al. .... 396/419  
2010/0129070 A1 \* 5/2010 Balasundaramohan  
et al. .... 396/419  
2013/0107110 A1 \* 5/2013 Park et al. .... 348/373  
2014/0300742 A1 \* 10/2014 Han ..... 348/148

\* cited by examiner

*Primary Examiner* — Adir Aronovich

*Assistant Examiner* — Ramzi Almatrahi

(74) *Attorney, Agent, or Firm* — Hoffmann & Baron, LLP

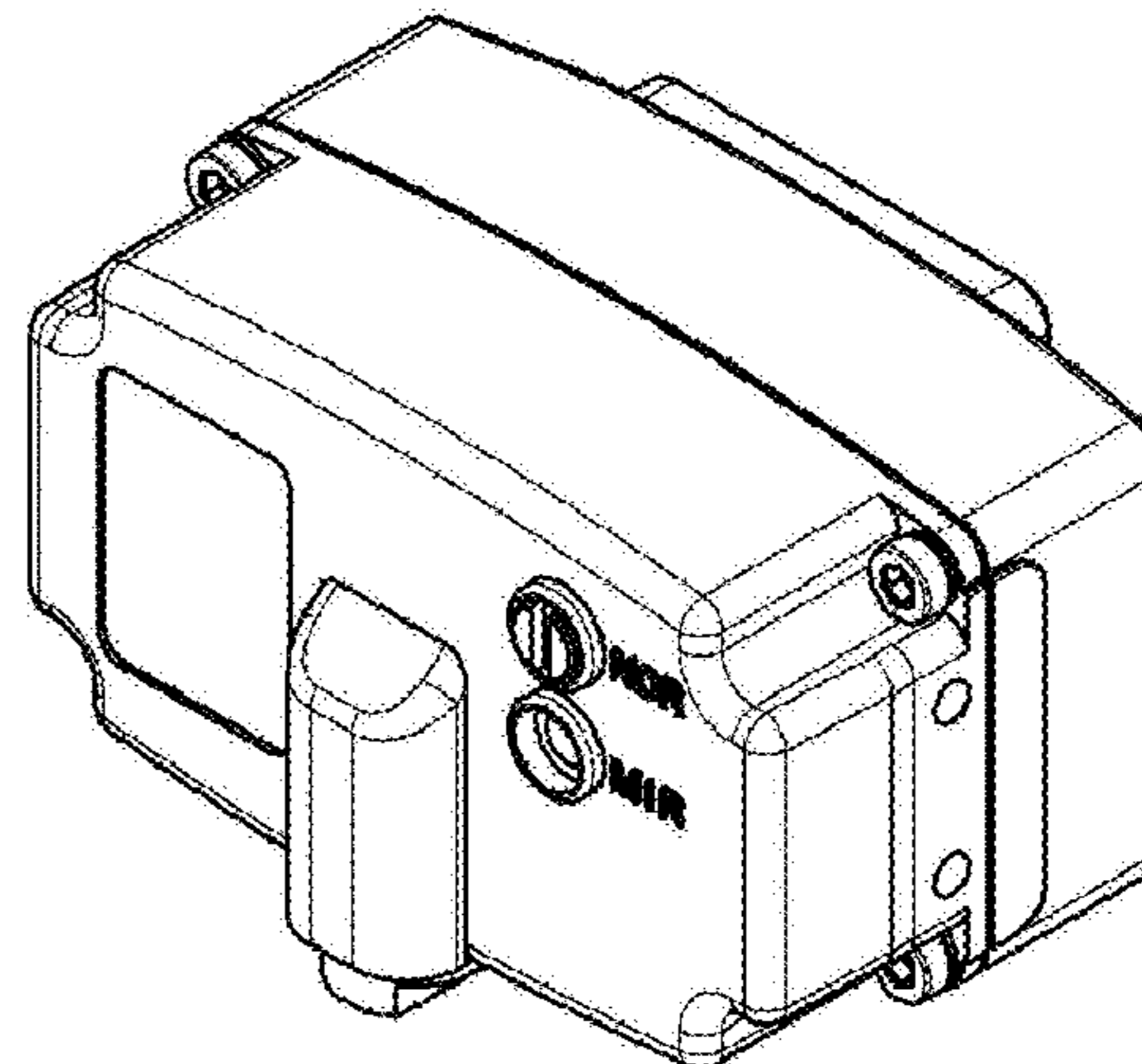
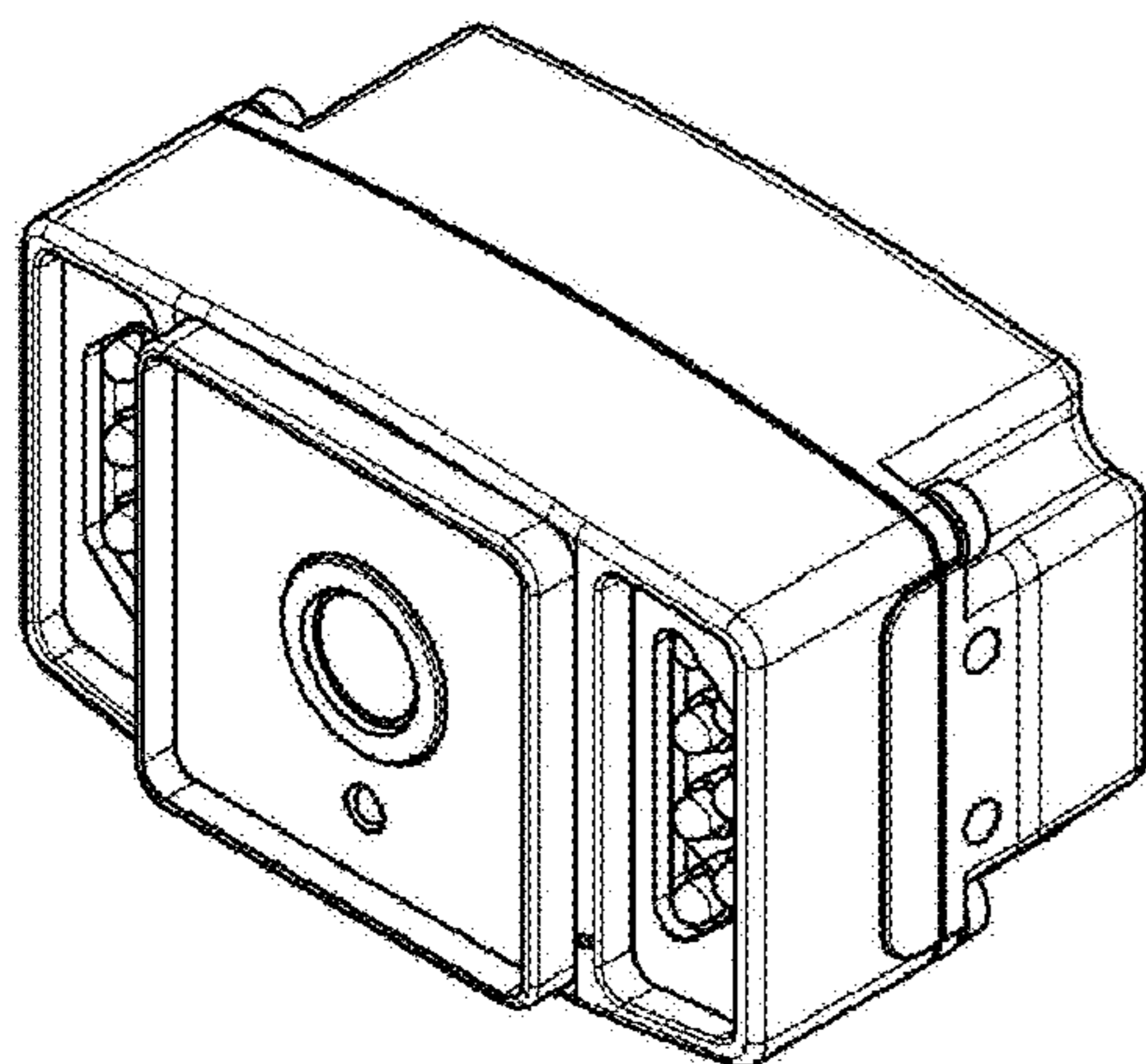
(57) **CLAIM**

The ornamental design for a rearview camera, as shown and described.

**DESCRIPTION**

FIG. 1 is a front perspective view of a rearview camera showing my new design;  
FIG. 2 is a front elevation view thereof;  
FIG. 3 is a backside elevation view thereof;  
FIG. 4 is a left side elevation view thereof;  
FIG. 5 is a right side elevation view thereof;  
FIG. 6 is a top plan view thereof;  
FIG. 7 is a bottom plan view thereof; and,  
FIG. 8 is a rear perspective view thereof.

**1 Claim, 4 Drawing Sheets**



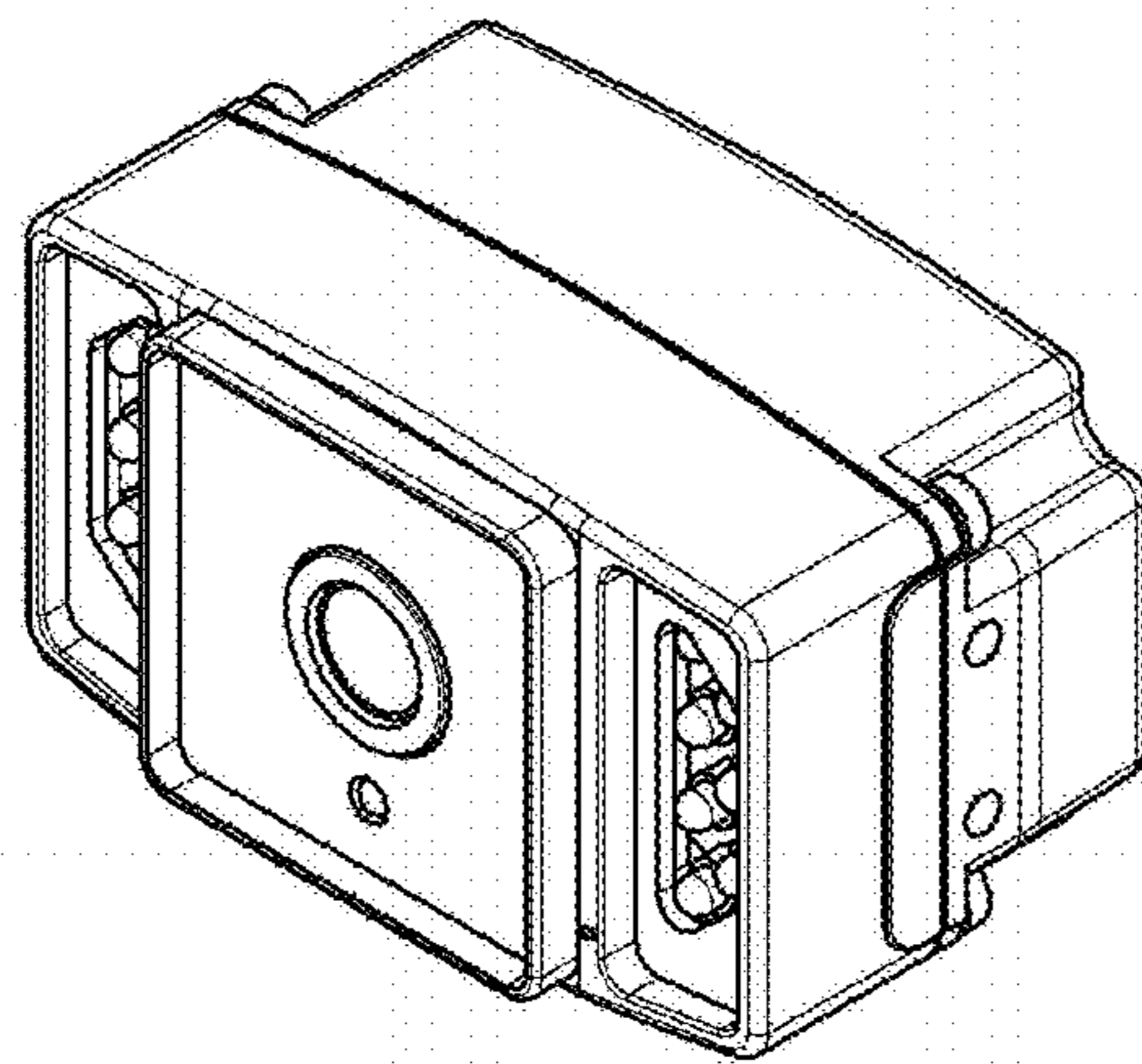


FIG. 1

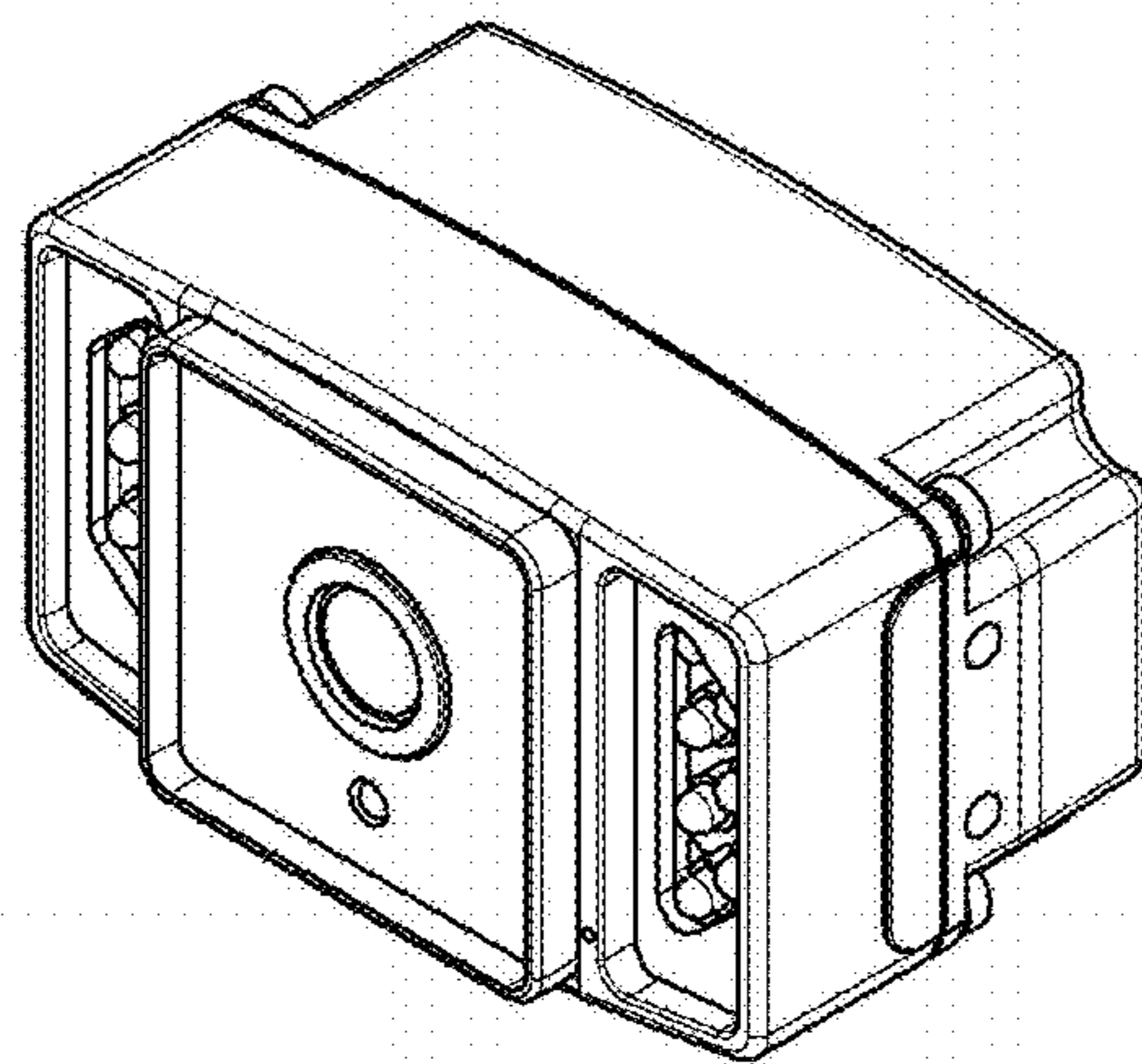


FIG. 2

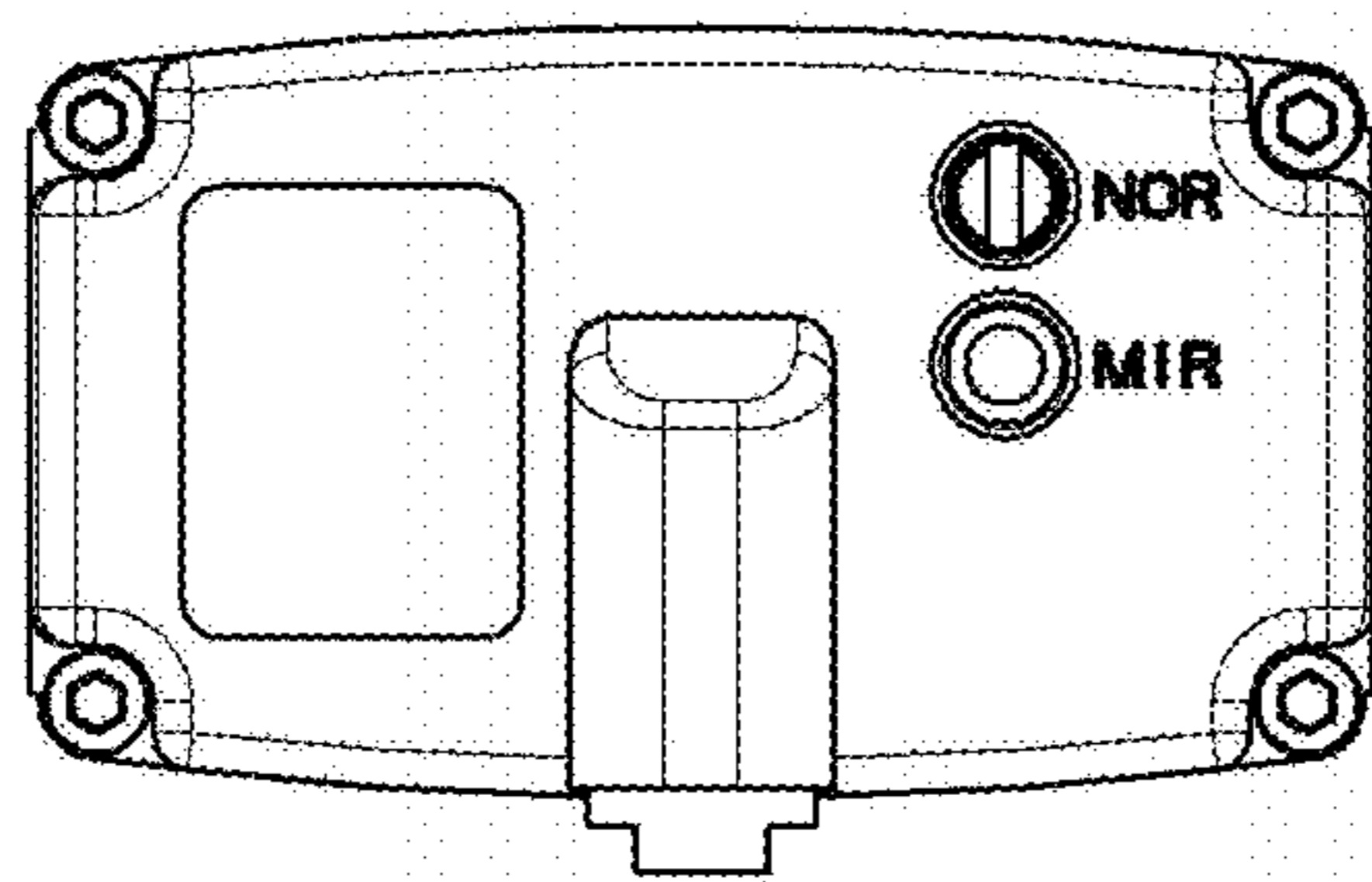


FIG. 3

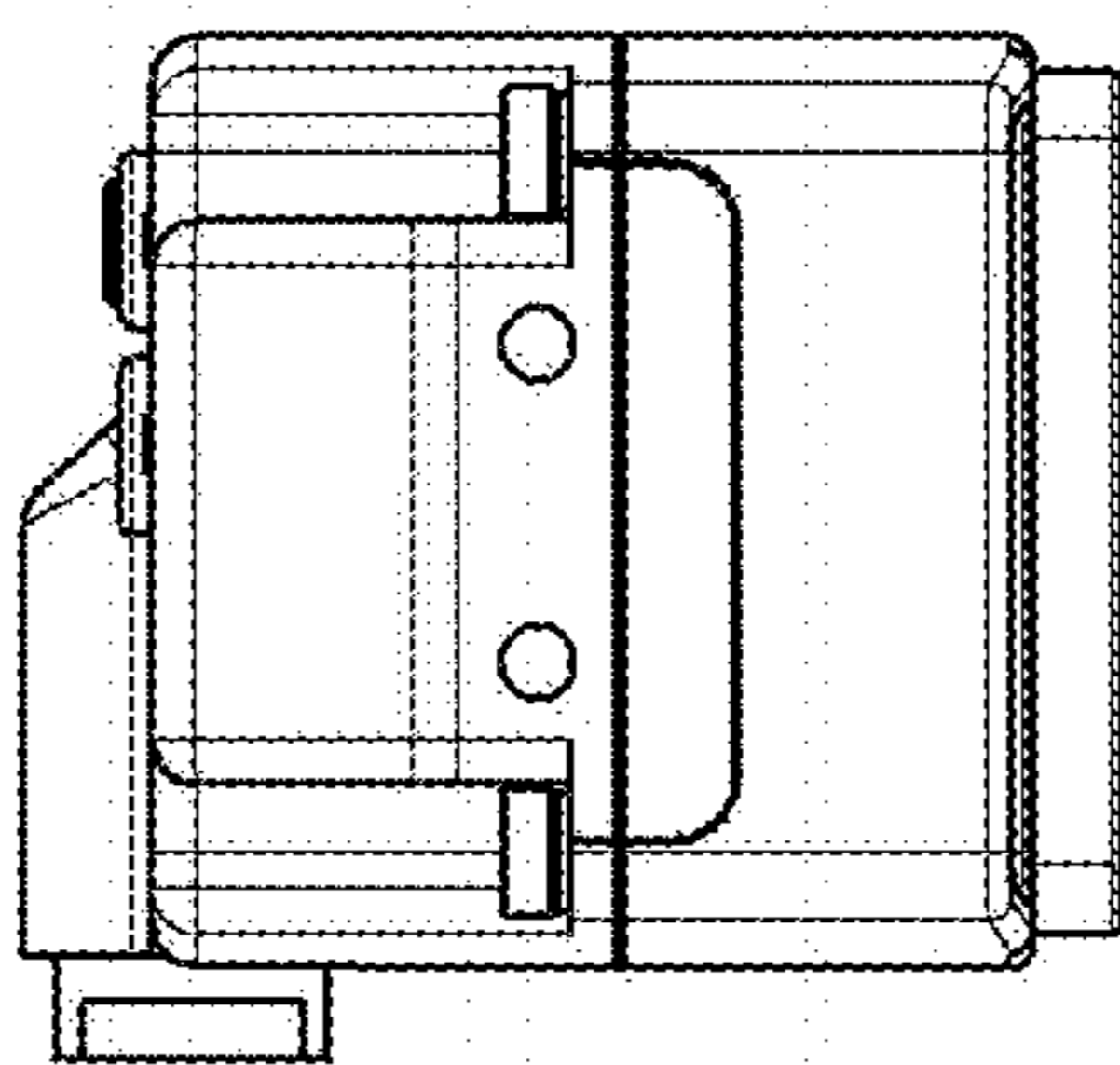


FIG. 4

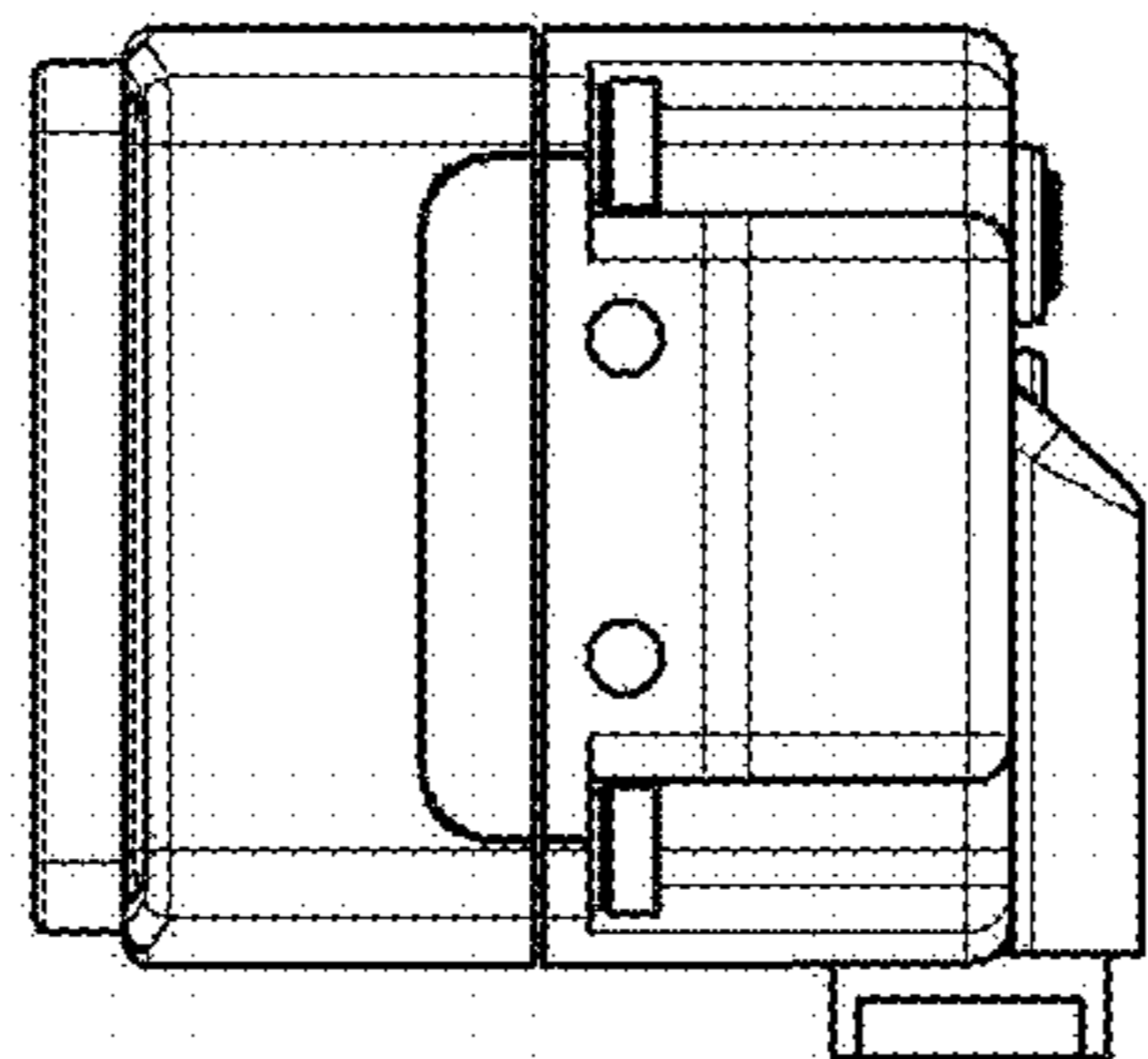


FIG. 5

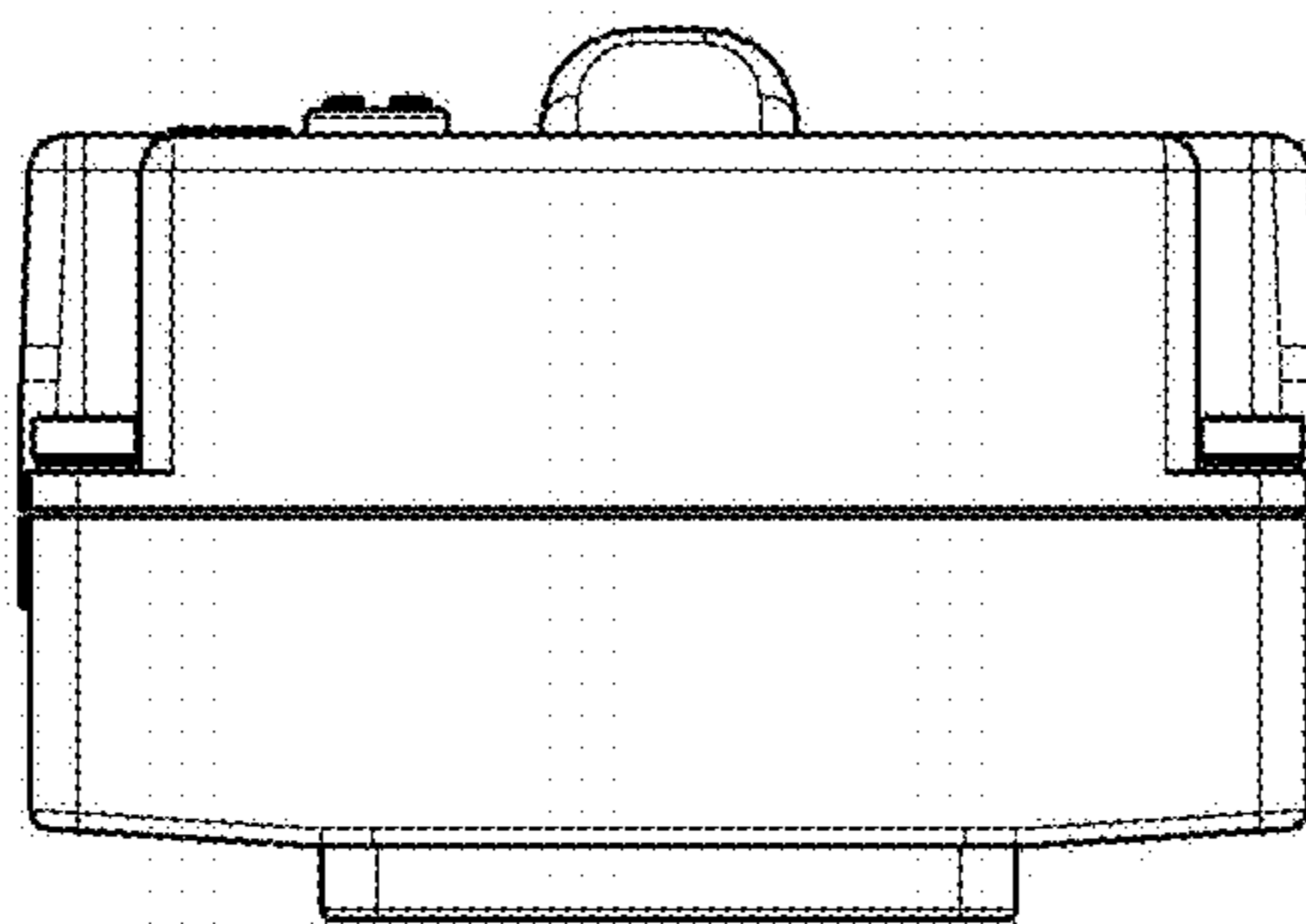


FIG. 6

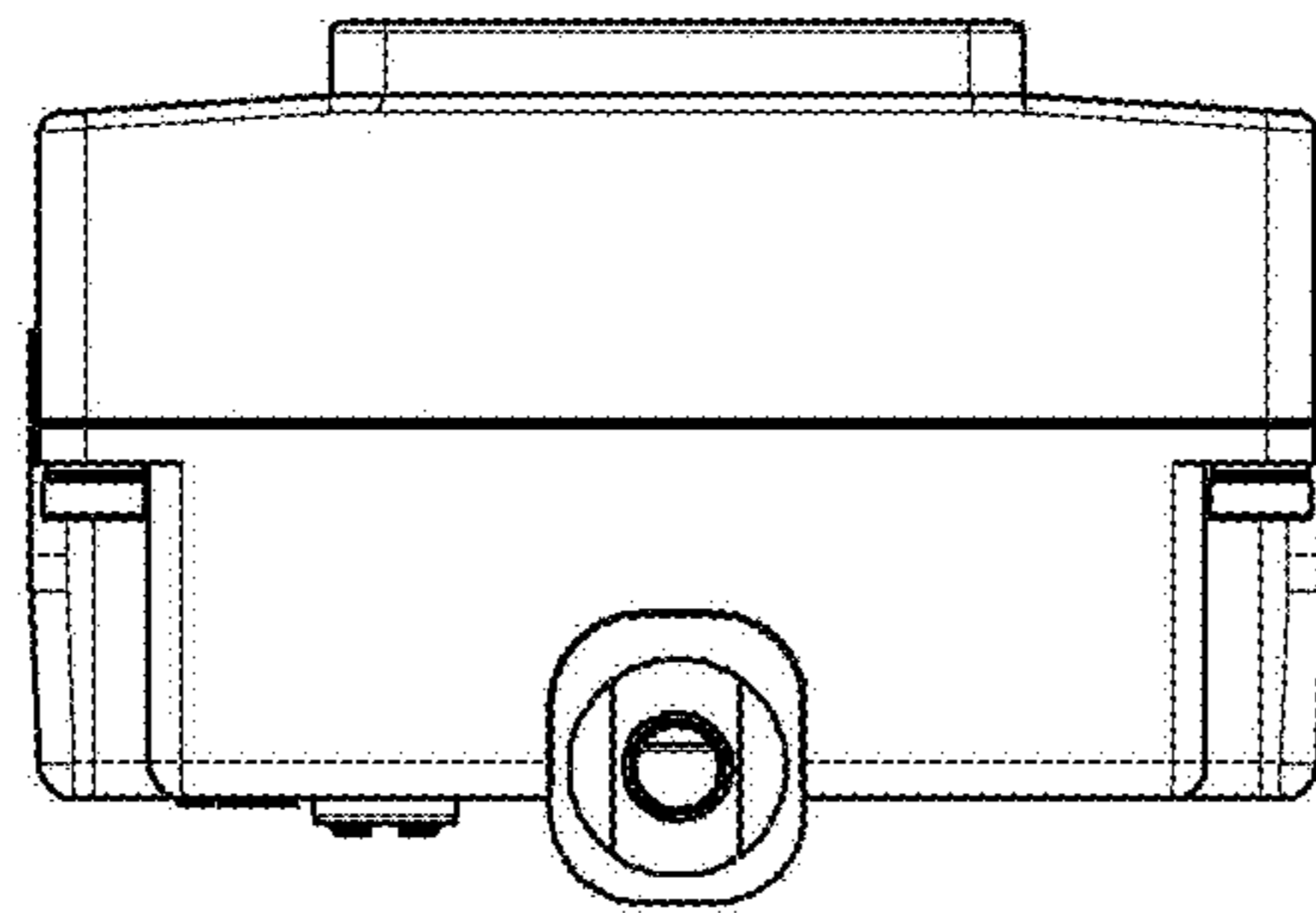


FIG. 7

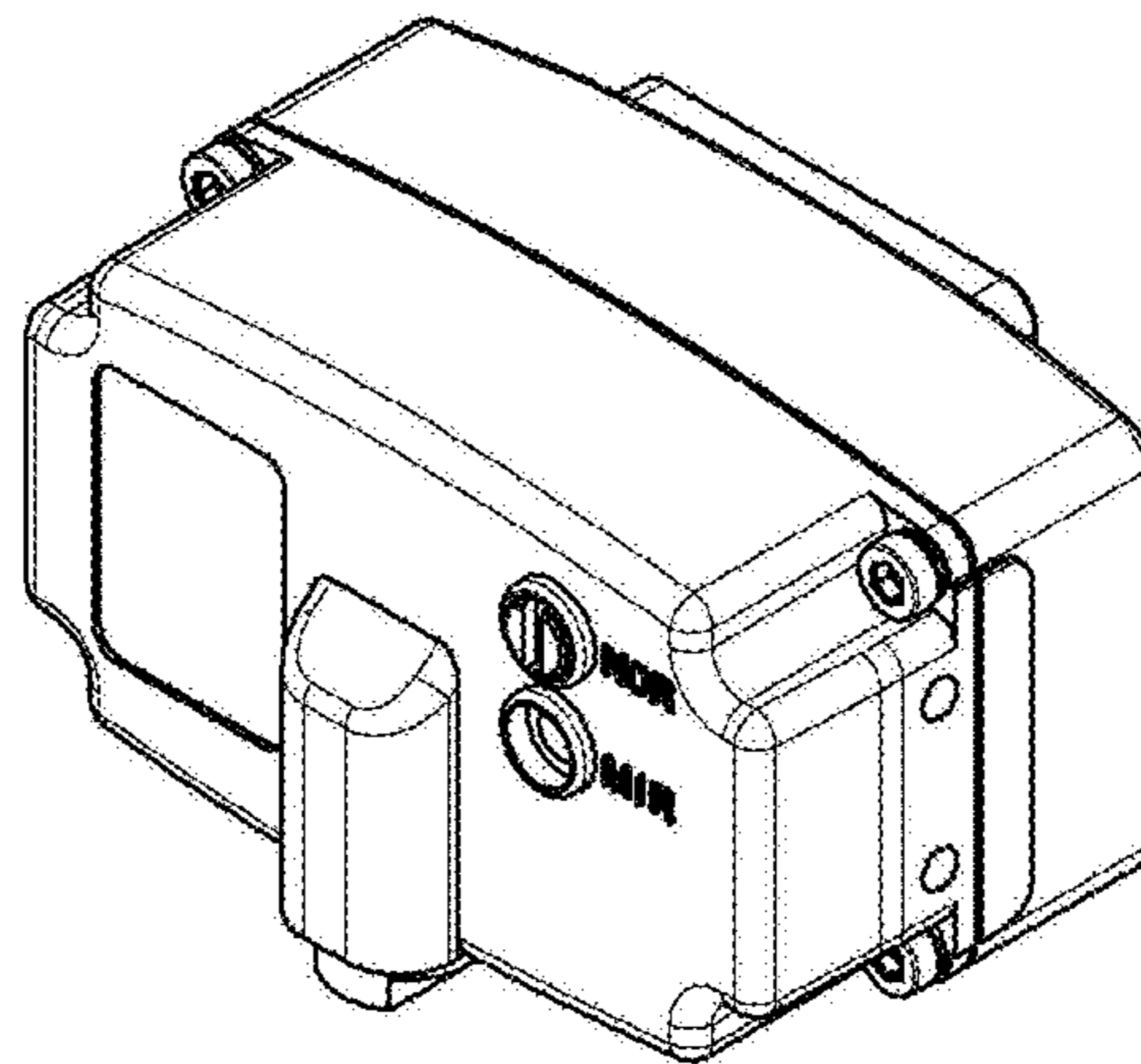


FIG. 8