



US00D745586S

(12) **United States Design Patent**
Chou et al.

(10) **Patent No.:** **US D745,586 S**

(45) **Date of Patent:** **** Dec. 15, 2015**

(54) **NETWORK CAMERA**

(56) **References Cited**

(71) Applicant: **Quanta Computer Inc.**, Taoyuan Shien (TW)

U.S. PATENT DOCUMENTS

(72) Inventors: **Ya-Chyi Chou**, Taoyuan Shien (TW);
Kao-Yu Hsu, New Taipei (TW)

D600,730	S	*	9/2009	Su	D16/202
D641,388	S	*	7/2011	Shih	D16/202
D662,532	S	*	6/2012	Chang	D16/202
D665,441	S	*	8/2012	McManigal	D16/218
D669,111	S	*	10/2012	Ravi	D16/202
D675,660	S	*	2/2013	Su	D16/202
D680,569	S	*	4/2013	Lee	D16/242
D687,082	S	*	7/2013	Wang	D16/202
8,475,059	B2	*	7/2013	Khamsepoor	G03B 17/04 348/373
D688,718	S	*	8/2013	Tsai	D16/202

(73) Assignee: **QUANTA COMPUTER INC.**, Guishan Dist., Taoyuan (TW)

(**) Term: **14 Years**

* cited by examiner

(21) Appl. No.: **29/510,174**

Primary Examiner — Adir Aronovich

(22) Filed: **Nov. 25, 2014**

(74) *Attorney, Agent, or Firm* — Rabin & Berdo, P.C.

(30) **Foreign Application Priority Data**

Sep. 29, 2014 (TW) 103305755

(51) **LOC (10) Cl.** **16-01**

(52) **U.S. Cl.**
USPC **D16/202**; D16/242

(58) **Field of Classification Search**
USPC D16/200, 202, 218, 242; 348/373-376;
396/428, 535-541
CPC . H04N 5/2251; H04N 5/2252; H04N 5/2253;
G03B 17/04

See application file for complete search history.

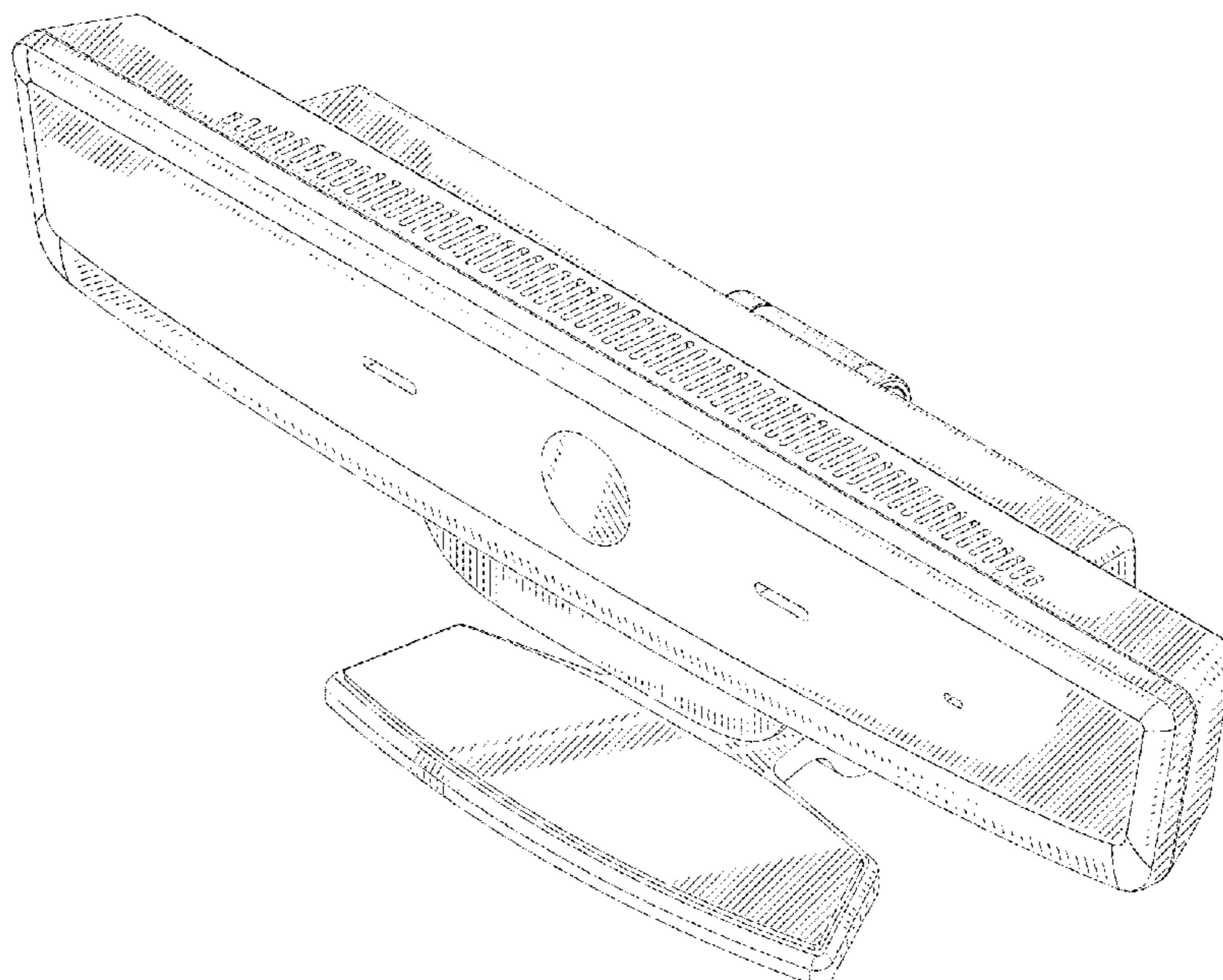
(57) **CLAIM**

The ornamental design for a network camera, as shown and described.

DESCRIPTION

FIG. 1 is a front perspective view of a network camera showing our new design;
FIG. 2 is a front elevational view thereof;
FIG. 3 is a rear elevational view thereof;
FIG. 4 is left side elevational view thereof;
FIG. 5 is right side elevational view thereof;
FIG. 6 is a top plan view thereof; and,
FIG. 7 is a bottom plan view thereof.

1 Claim, 7 Drawing Sheets



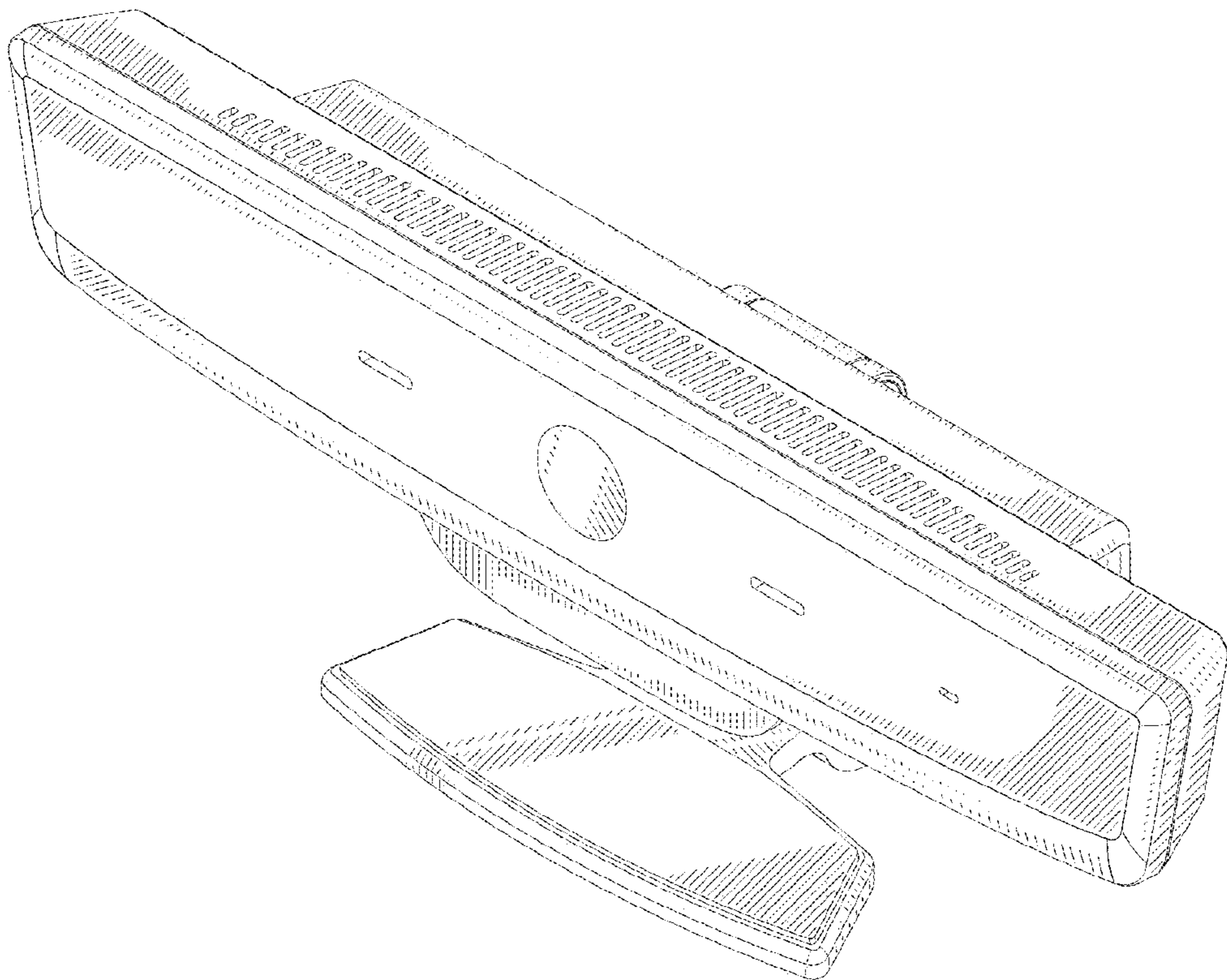


Fig. 1

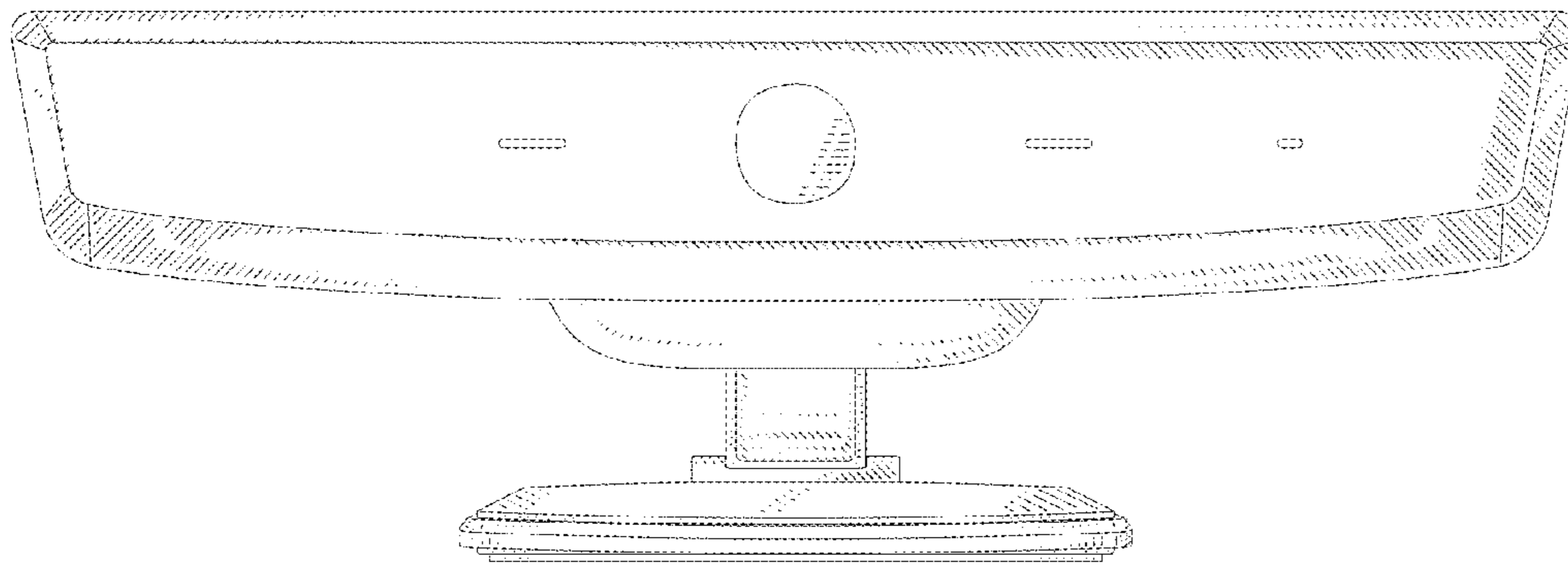


Fig. 2

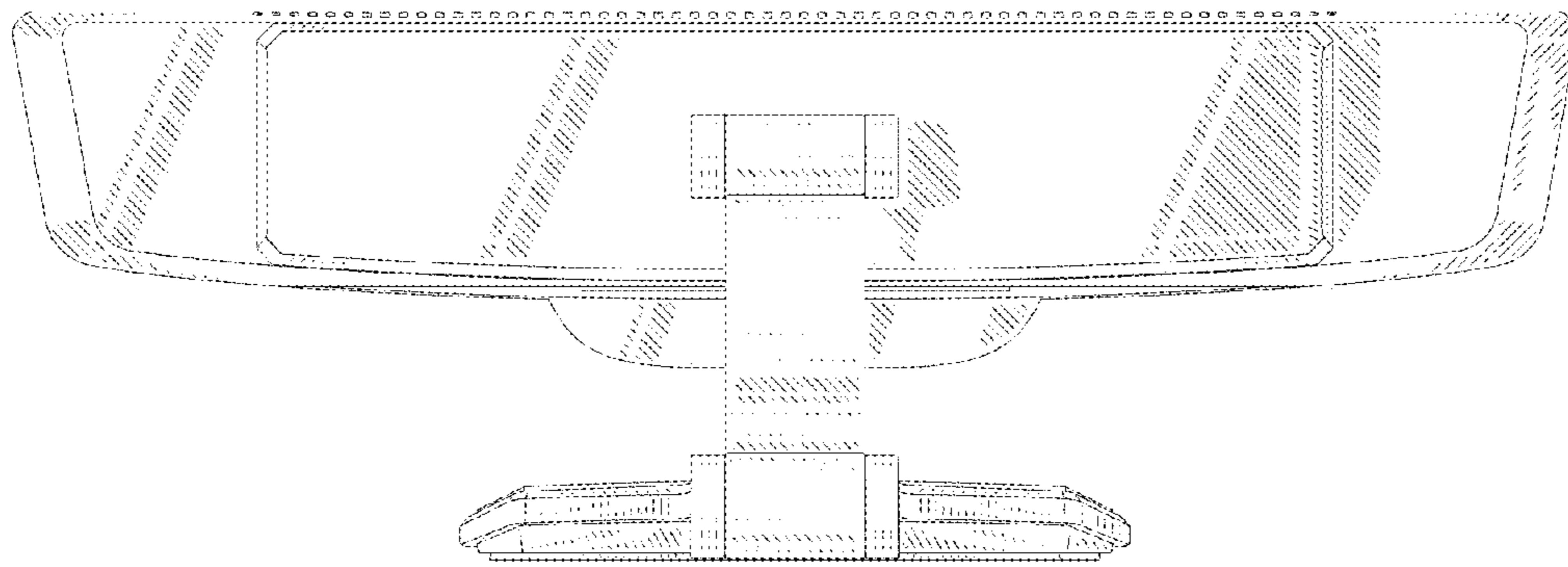


Fig. 3

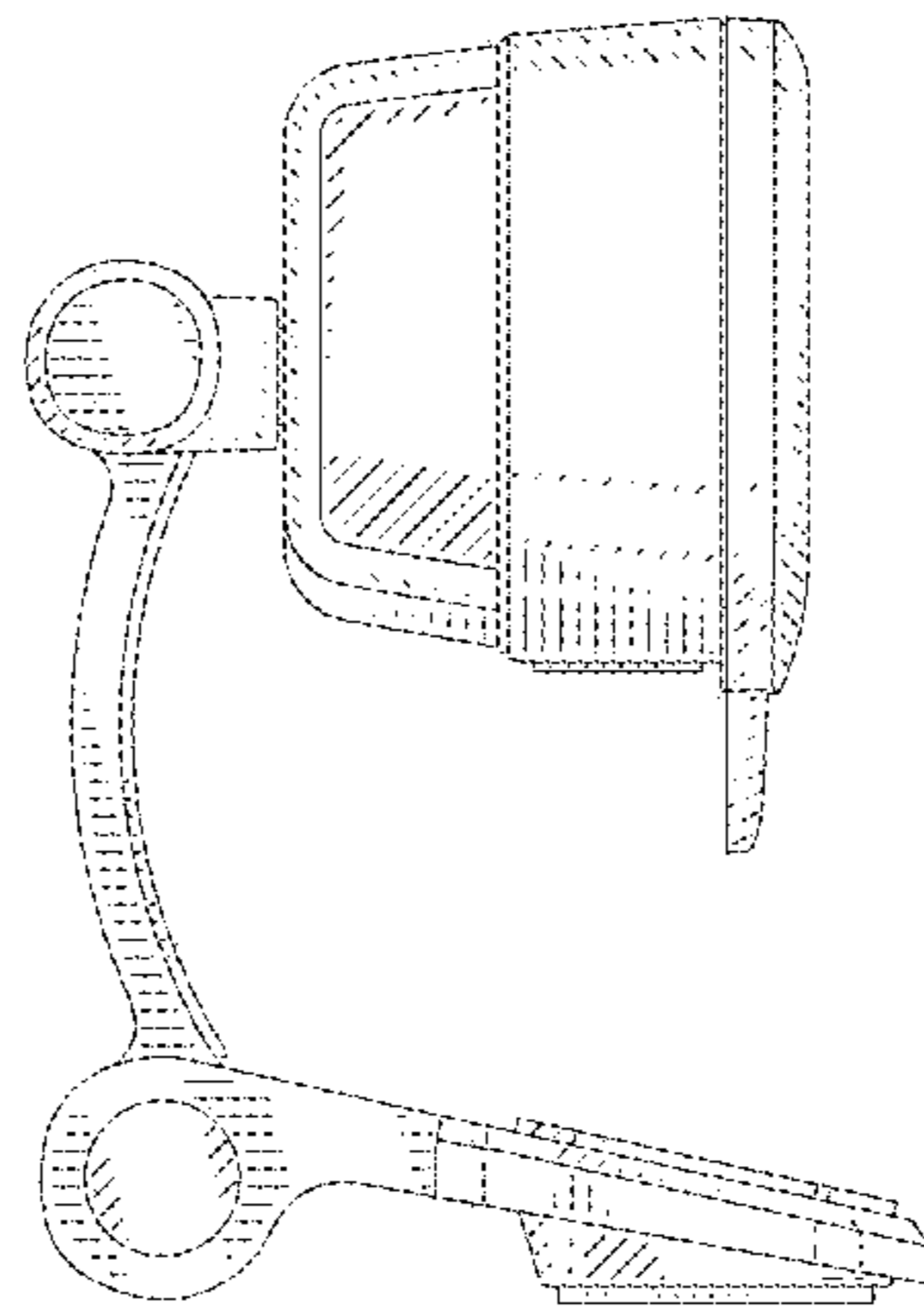


Fig. 4

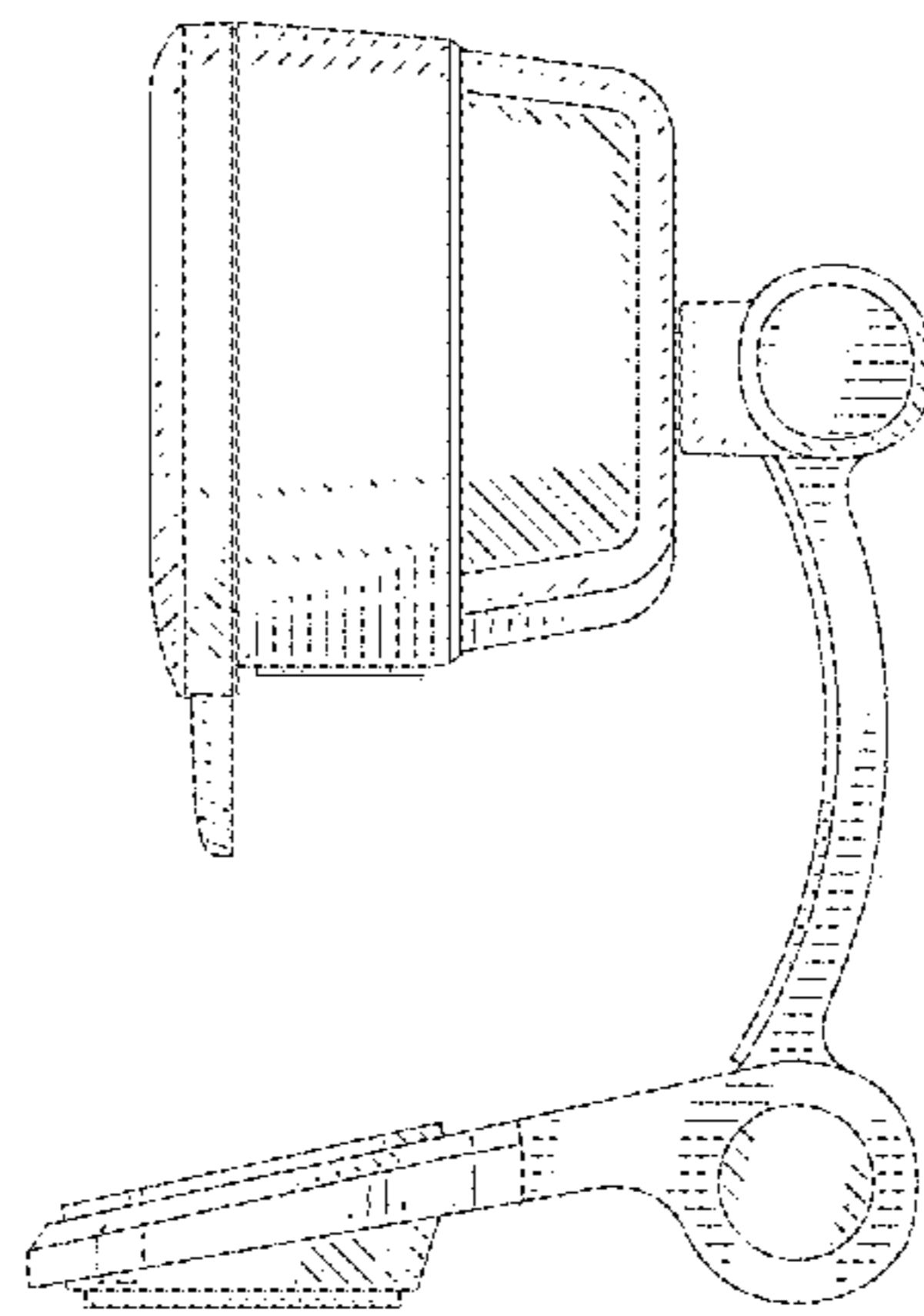


Fig. 5

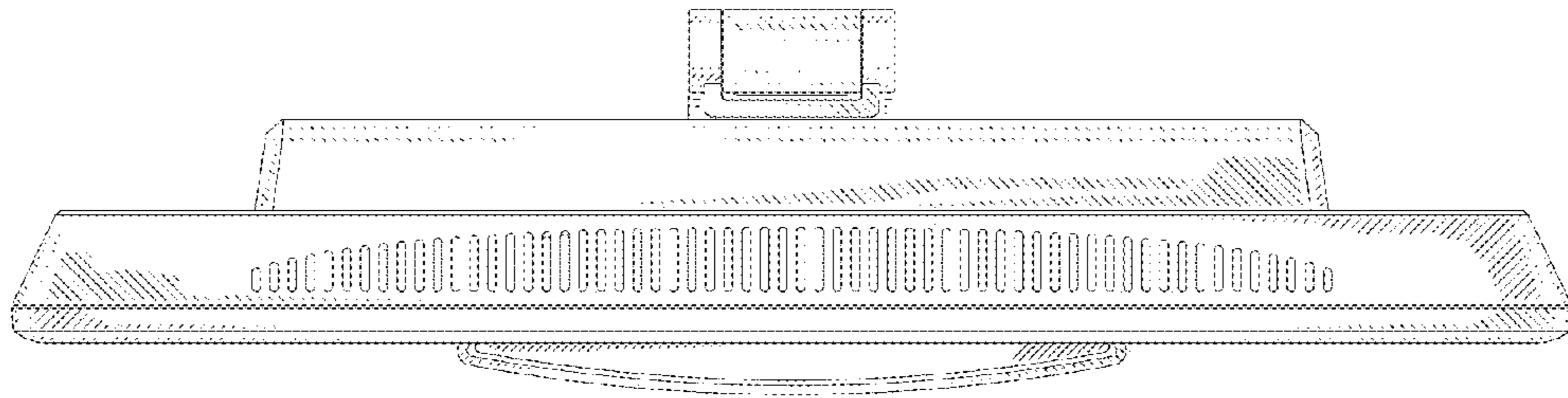


Fig. 6

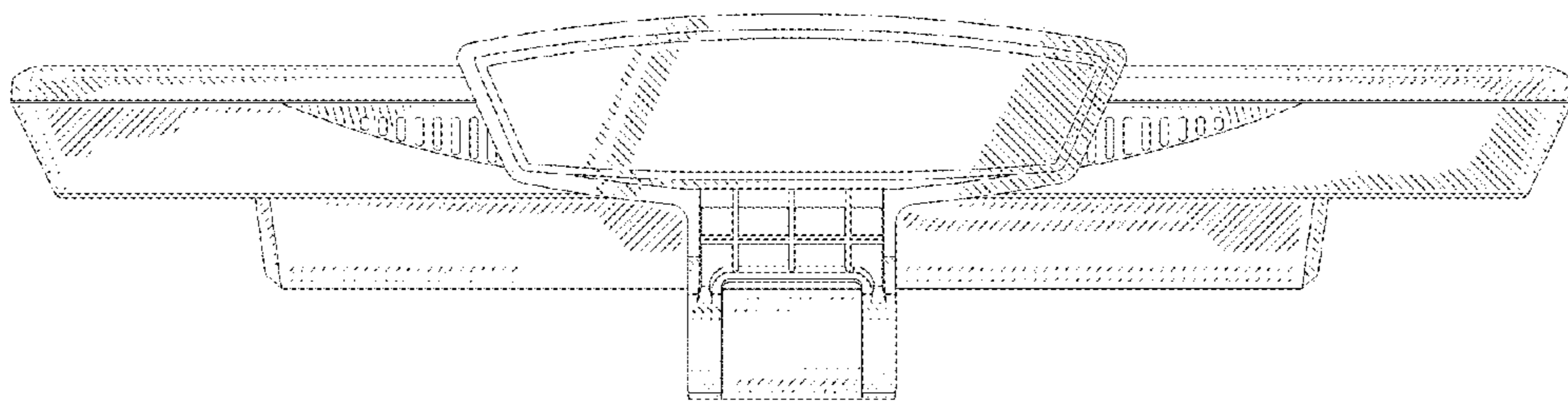


Fig. 7