



US00D745585S

(12) **United States Design Patent**
Heilmeier et al.

(10) **Patent No.:** **US D745,585 S**
(45) **Date of Patent:** **** Dec. 15, 2015**

- (54) **CUTTING TOOL**
- (71) Applicant: **SANDVIK INTELLECTUAL PROPERTY AB**, Sandviken (SE)
- (72) Inventors: **Michael Heilmeier**, Dobriach (AT);
Hannes Voitc, Weibkirchen (AT);
Joseph Fader, Marietta, GA (US)
- (73) Assignee: **SANDVIK INTELLECTUAL PROPERTY AB**, Sandviken (SE)
- (**) Term: **14 Years**
- (21) Appl. No.: **29/508,548**
- (22) Filed: **Nov. 7, 2014**
- (30) **Foreign Application Priority Data**
 - May 8, 2014 (EM) 001410823-0002
 - May 8, 2014 (EM) 001410823-0003
- (51) **LOC (10) Cl.** **15-09**
- (52) **U.S. Cl.**
USPC **D15/139**
- (58) **Field of Classification Search**
USPC D15/128, 131, 139, 140
See application file for complete search history.

- (56) **References Cited**
U.S. PATENT DOCUMENTS
 - 1,318,958 A * 10/1919 Bernay E21B 10/62
175/383
 - 1,591,967 A * 7/1926 Emerson B24B 33/08
451/474
 - 4,076,445 A * 2/1978 Kress B23D 77/02
408/226
 - 4,433,739 A * 2/1984 Sarin E21B 10/58
175/418
 - D278,245 S * 4/1985 Smith D15/140
 - 5,188,490 A * 2/1993 Muendlein B23B 29/03417
407/44
 - 5,259,100 A * 11/1993 Takahashi B21D 28/12
29/33 J

- 5,429,187 A * 7/1995 Beagrie E21B 7/061
166/117.5
- D597,571 S * 8/2009 Darr D15/139
- D630,234 S * 1/2011 Monyak D15/139
- D674,422 S * 1/2013 Hall D15/131
- D690,332 S * 9/2013 Morehead D15/128
- D690,333 S * 9/2013 Morehead D15/128
- D700,922 S * 3/2014 Burca D15/139
- 8,702,352 B2 * 4/2014 Sjoo B23C 5/003
407/40
- D715,342 S * 10/2014 Fundakowski D15/140
- D719,590 S * 12/2014 Johnston D15/128
- 9,022,393 B2 * 5/2015 Guy B23B 31/02
279/20
- 9,073,183 B2 * 7/2015 Chen B25B 11/02
- 2010/0040425 A1 * 2/2010 Nomura B23B 51/0493
408/83

* cited by examiner

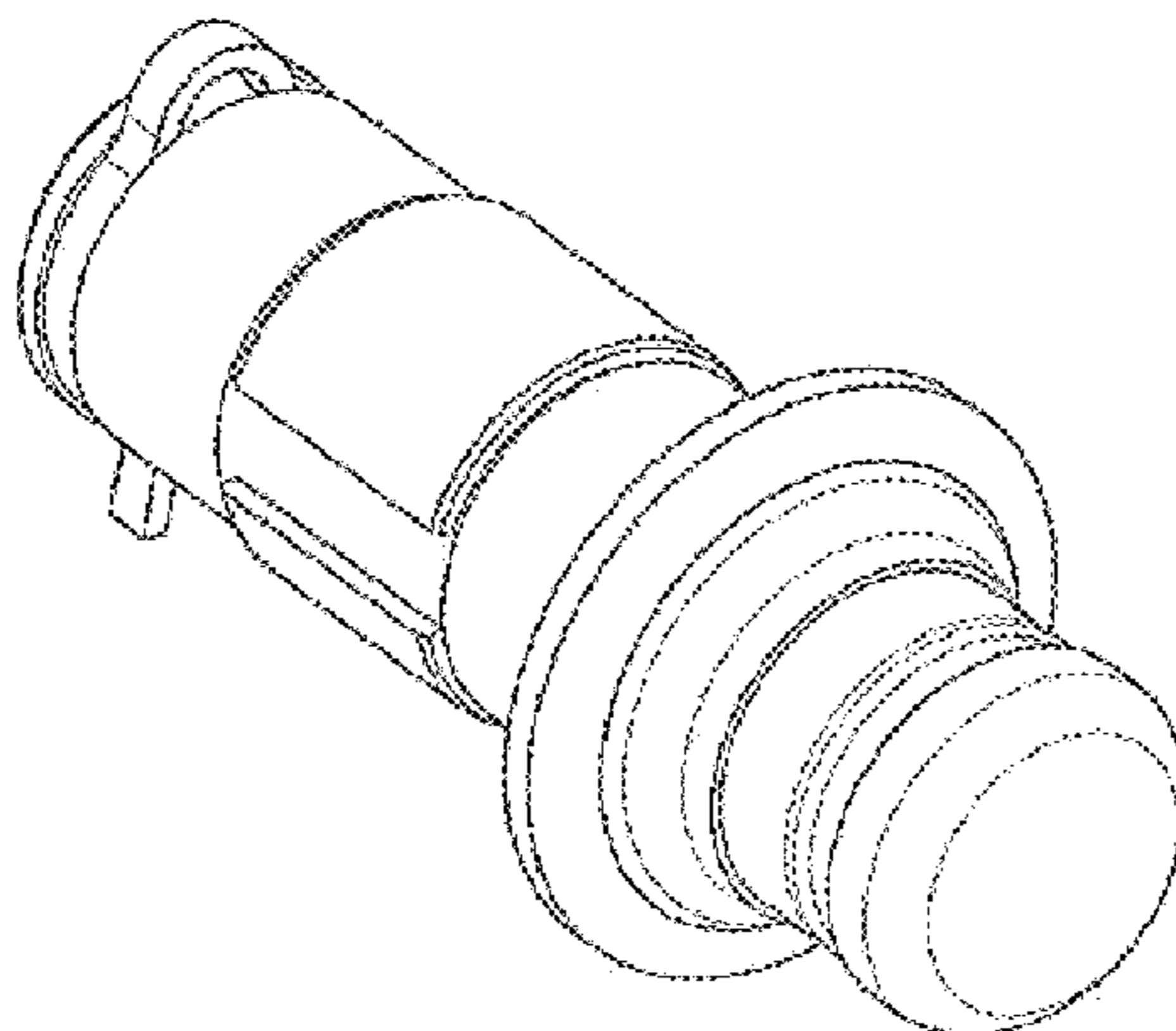
Primary Examiner — Patricia Palasik
(74) *Attorney, Agent, or Firm* — Corinne R. Gorski

(57) **CLAIM**
The ornamental design for a cutting tool, as shown and described.

DESCRIPTION

FIG. 1 is a perspective view of a first embodiment of a cutting tool;
FIG. 2 is a side view thereof;
FIG. 3 is another side view thereof;
FIG. 4 is yet another side view thereof;
FIG. 5 is a further side view thereof;
FIG. 6 is a front end view; and
FIG. 7 is a rear end view thereof.
FIG. 8 is a perspective view of second embodiment of a cutting tool;
FIG. 9 is a side view thereof;
FIG. 10 is another side view thereof;
FIG. 11 is yet another side view thereof;
FIG. 12 is a further side view thereof;
FIG. 13 is a front end view; and,
FIG. 14 is a rear end view thereof.

1 Claim, 12 Drawing Sheets



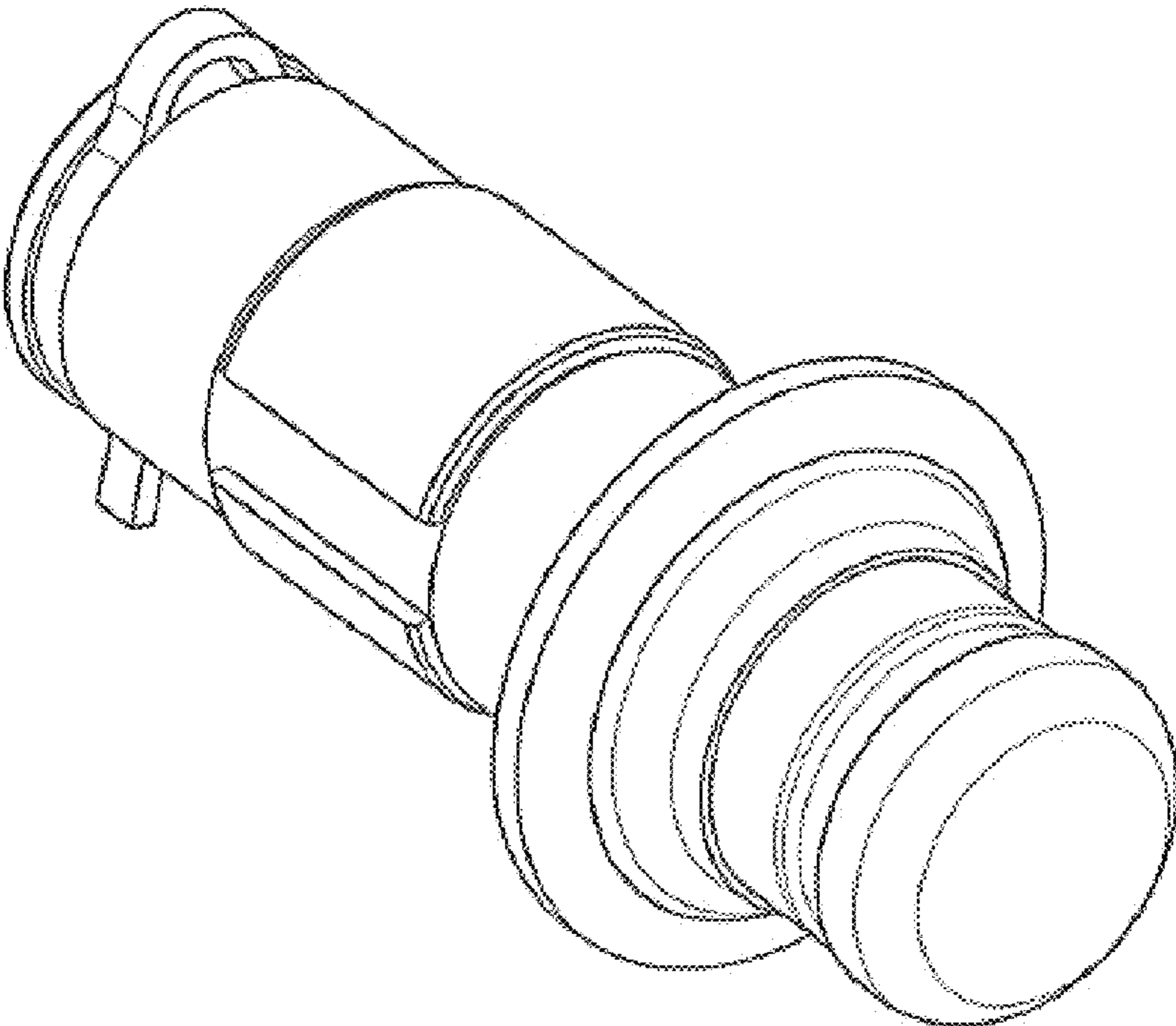


FIG. 1

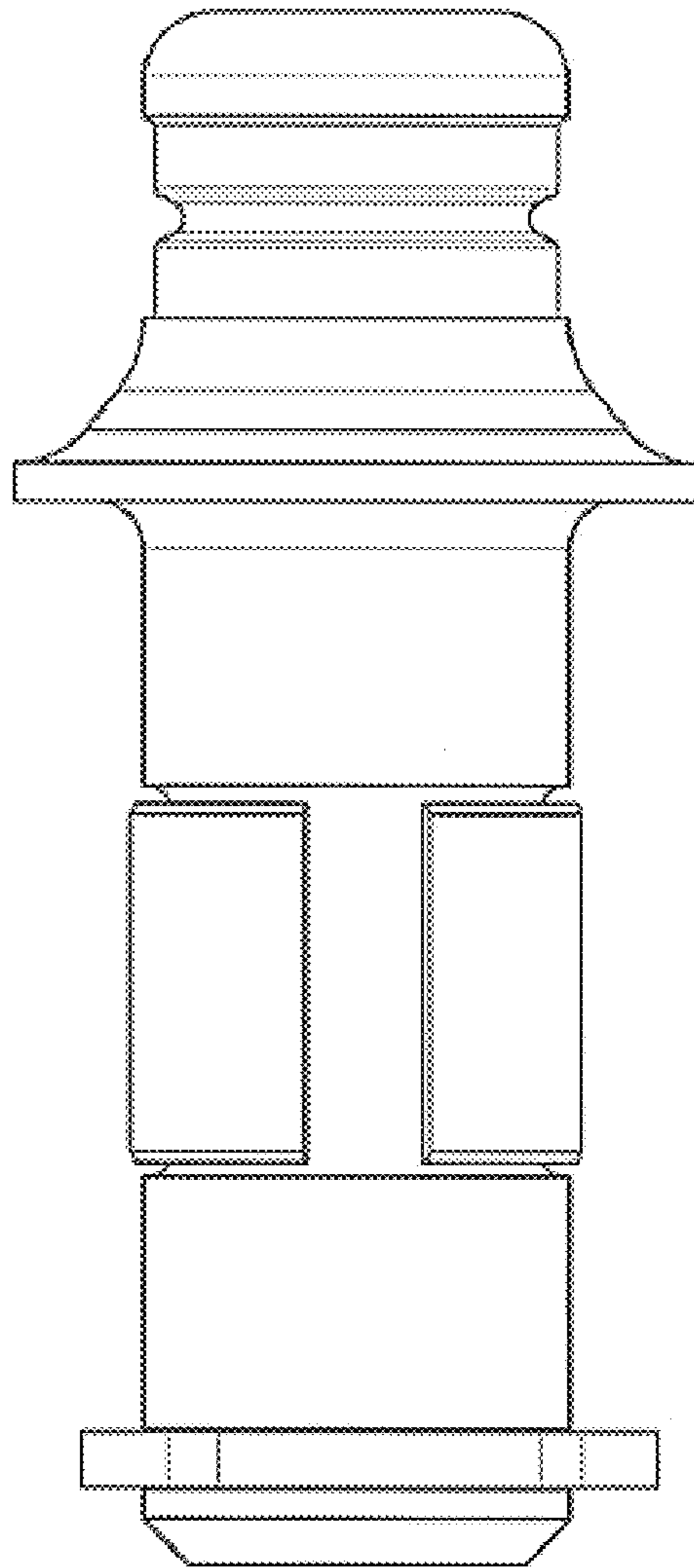


FIG. 2

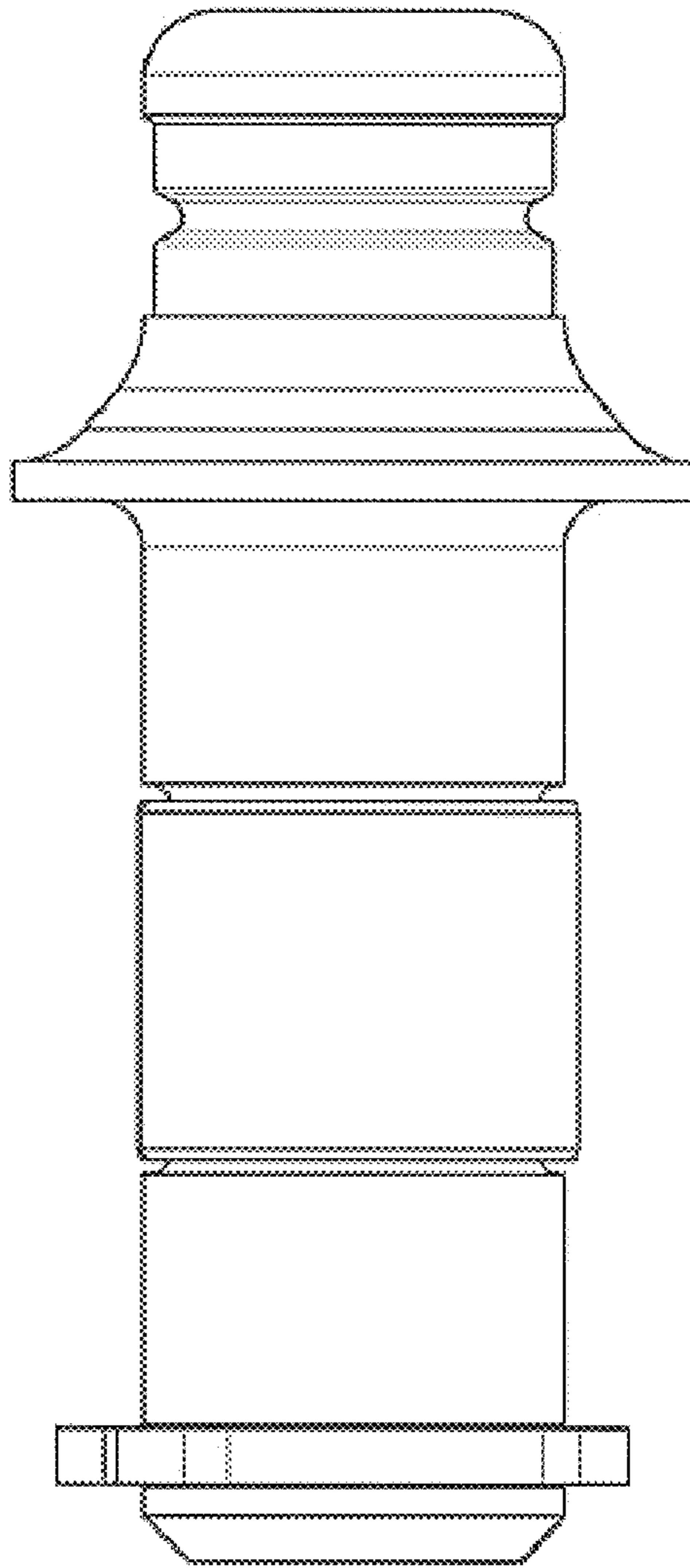


FIG. 3

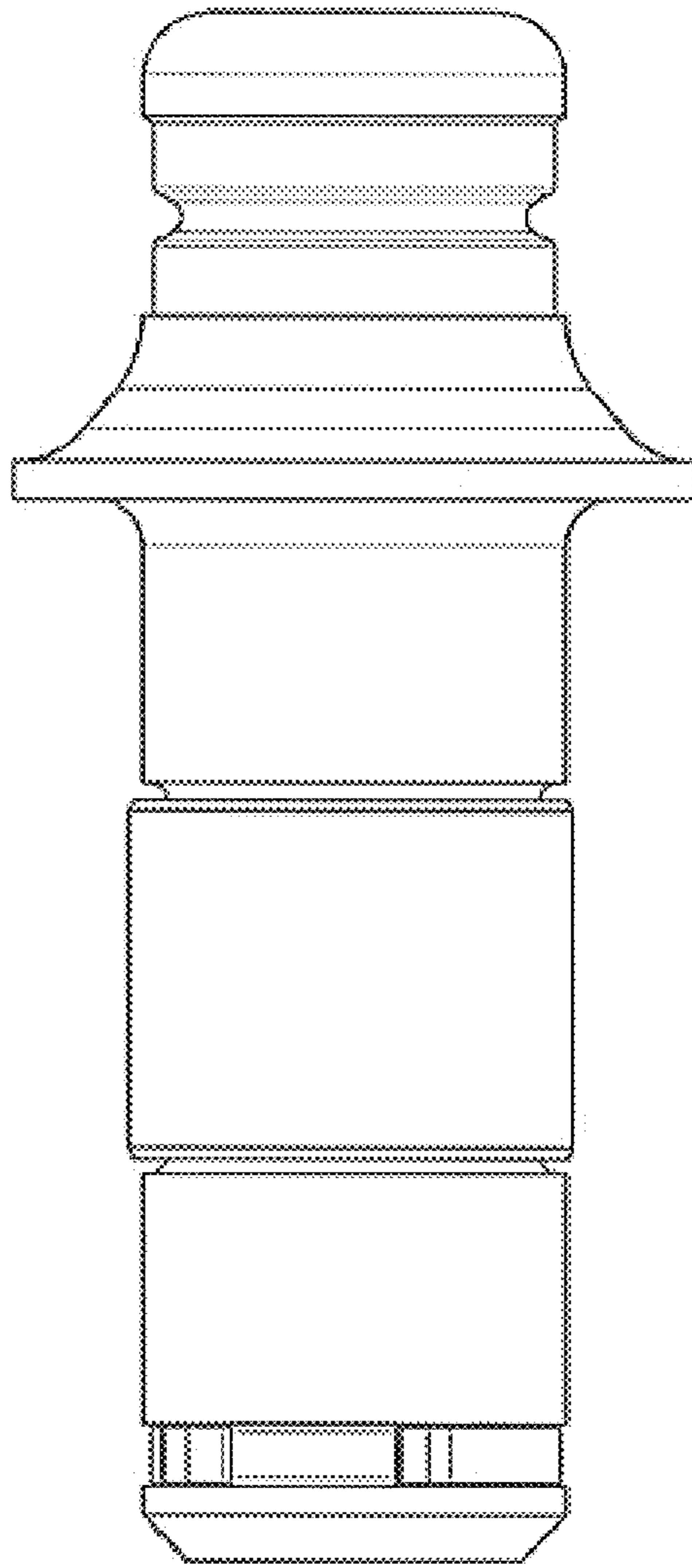


FIG. 4

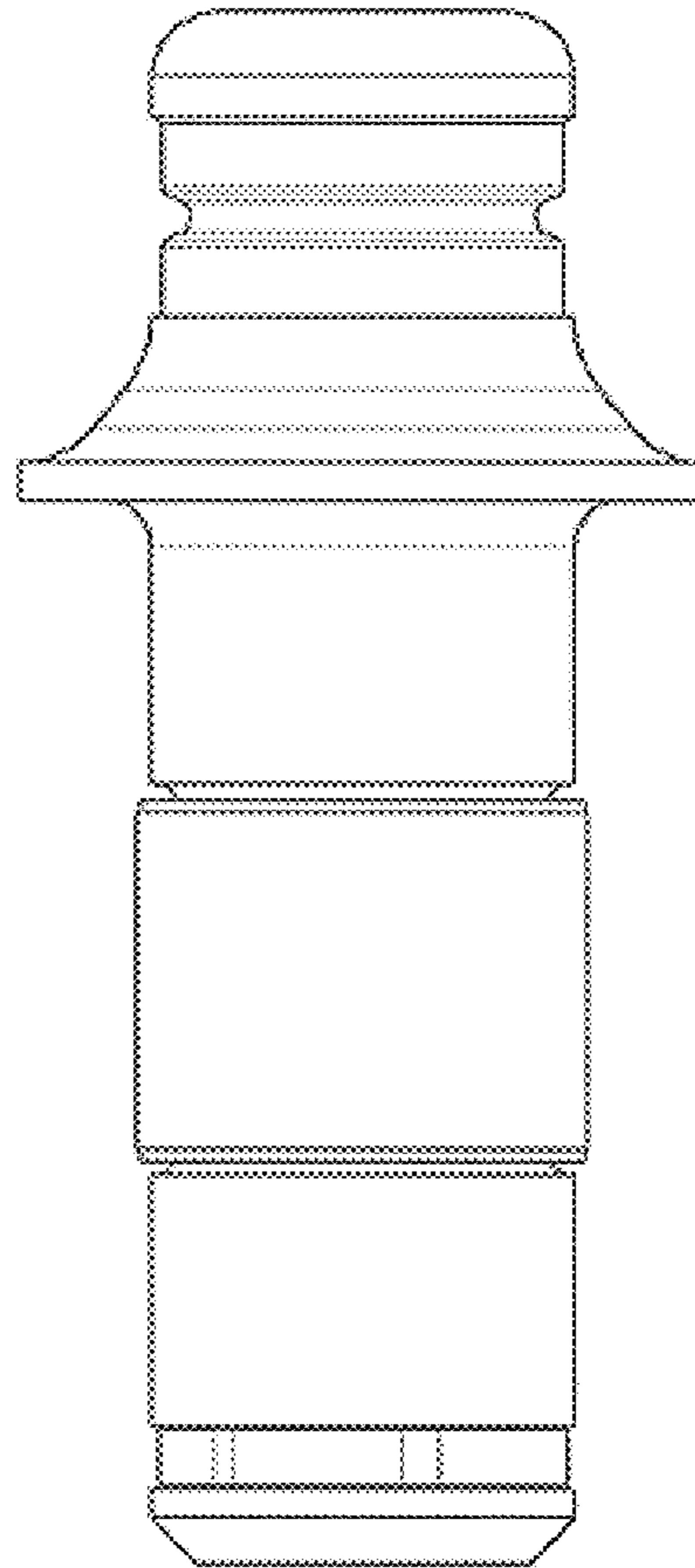


FIG. 5

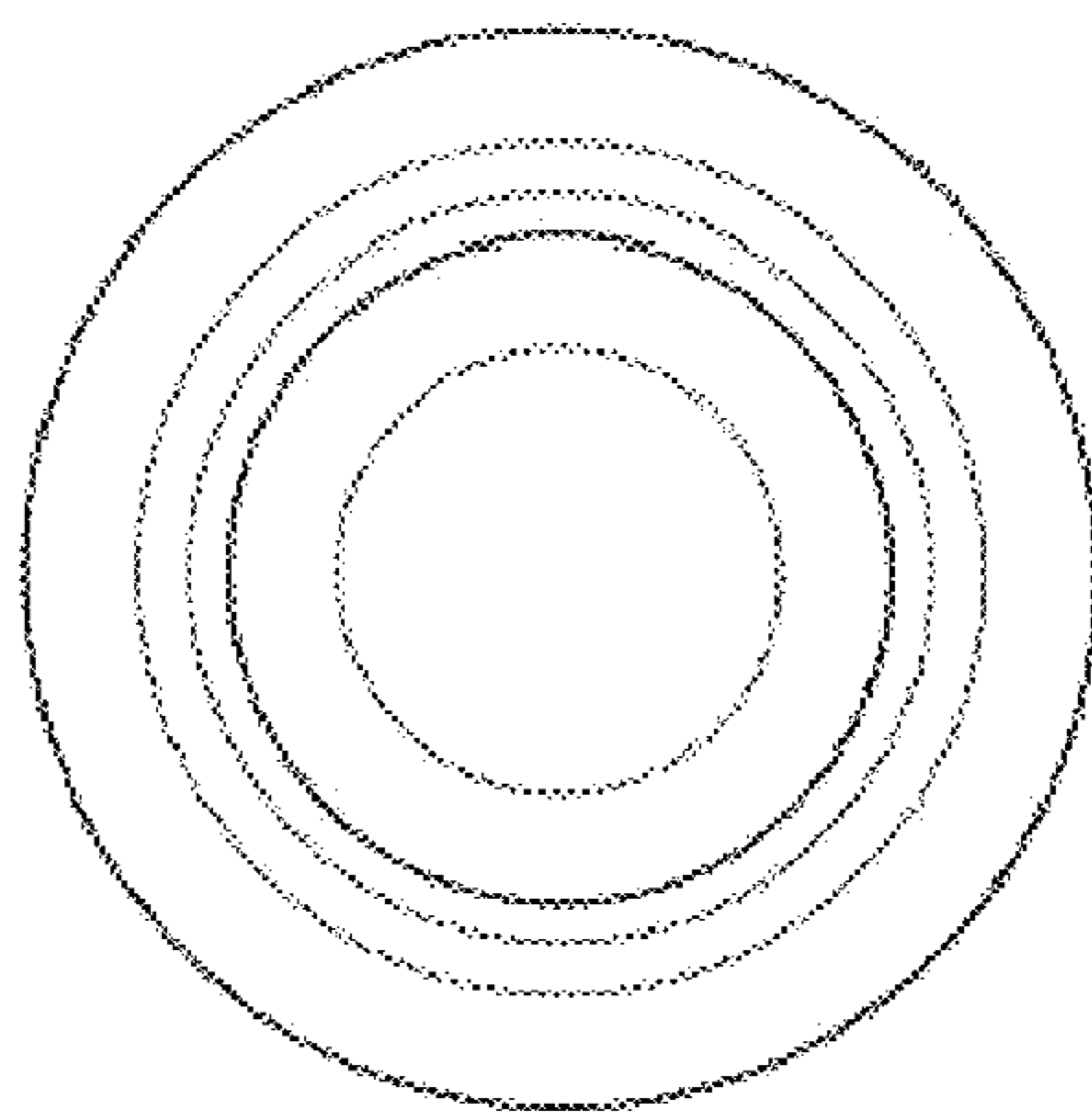


FIG. 6

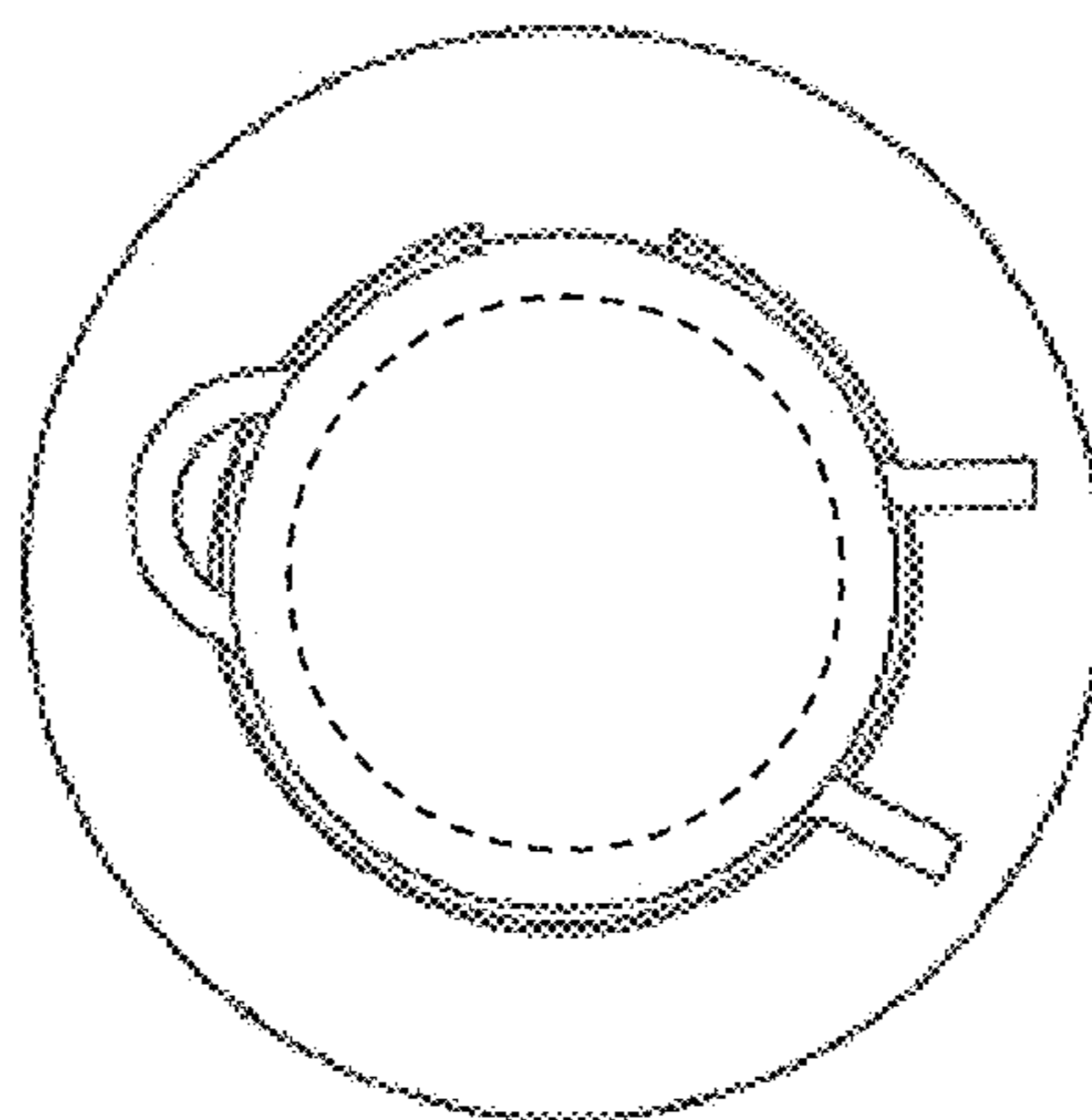


FIG. 7

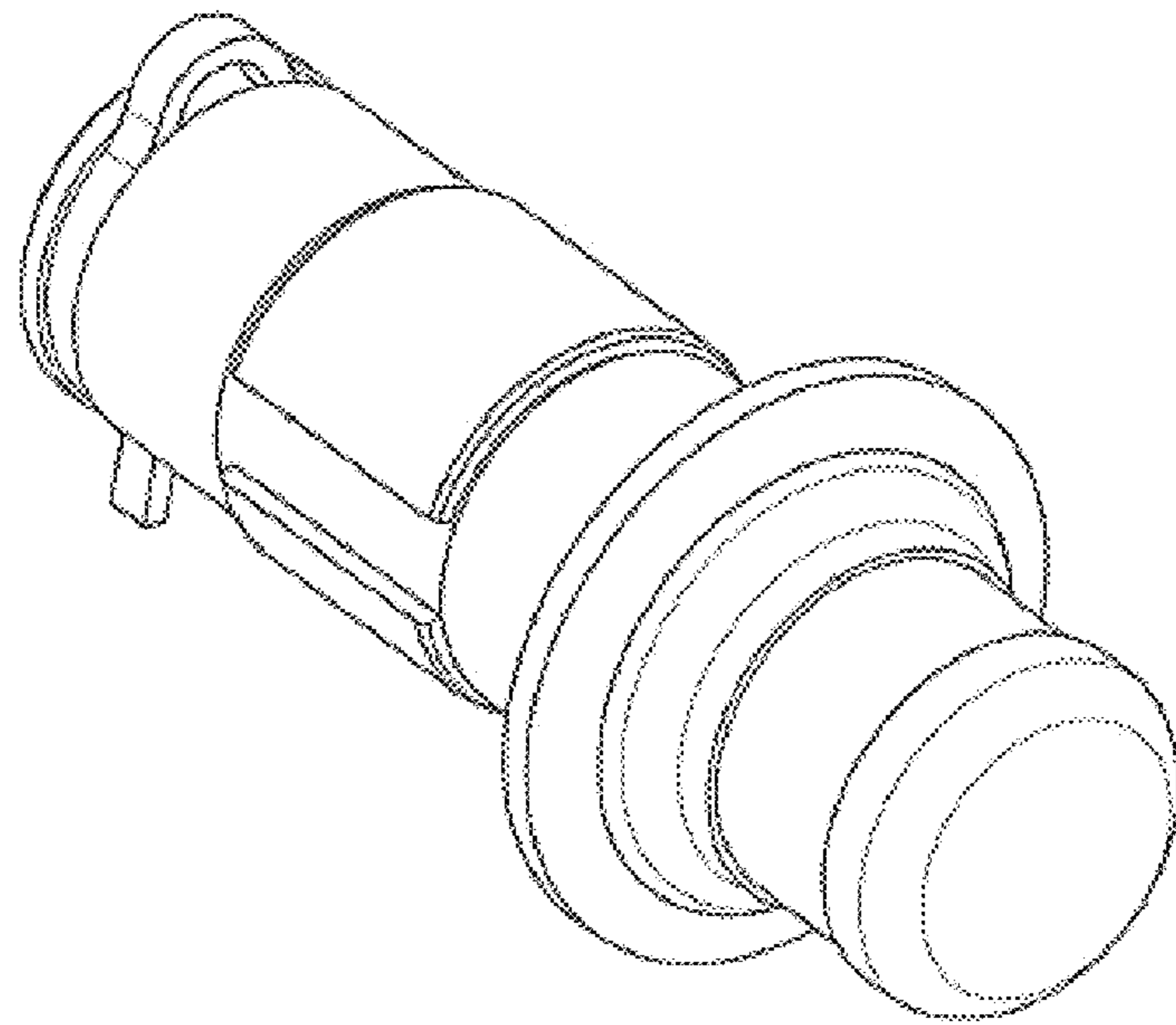


FIG. 8

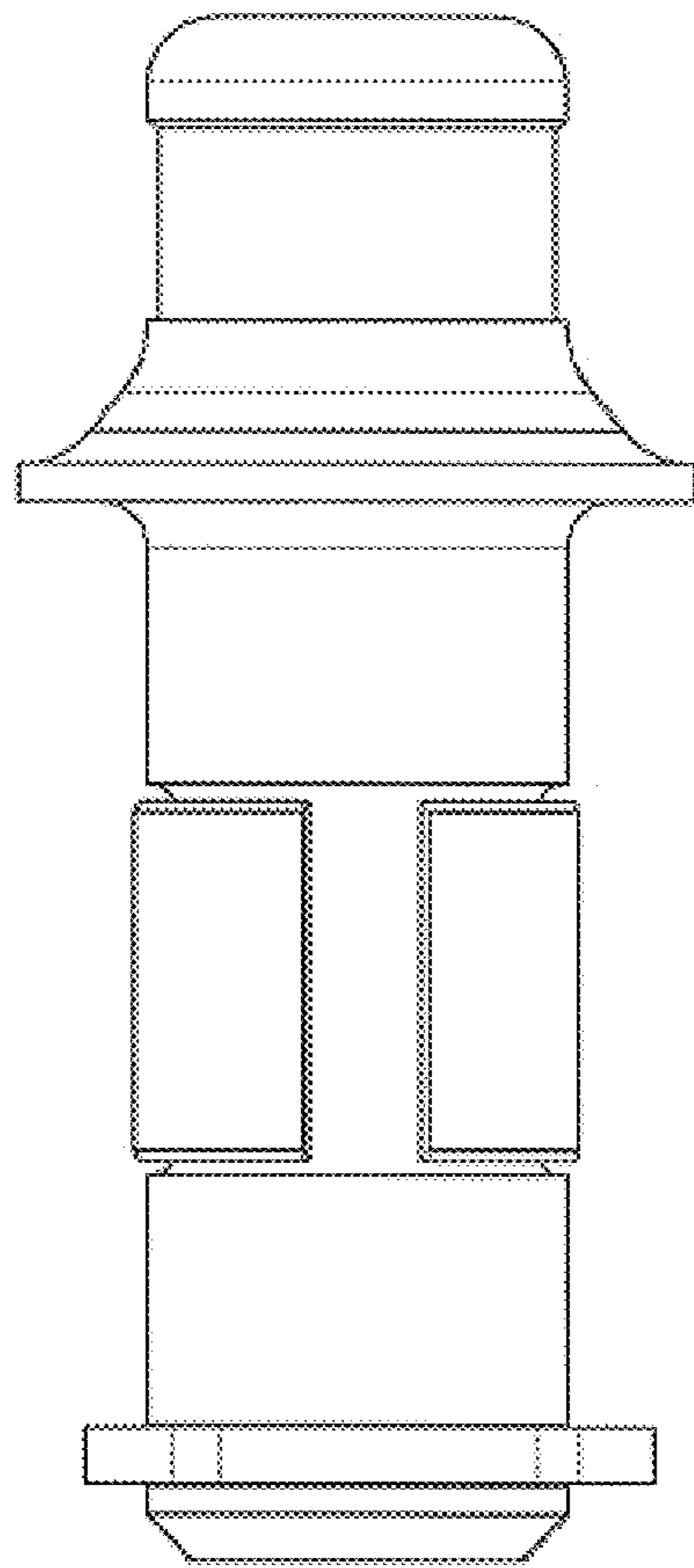


FIG. 9

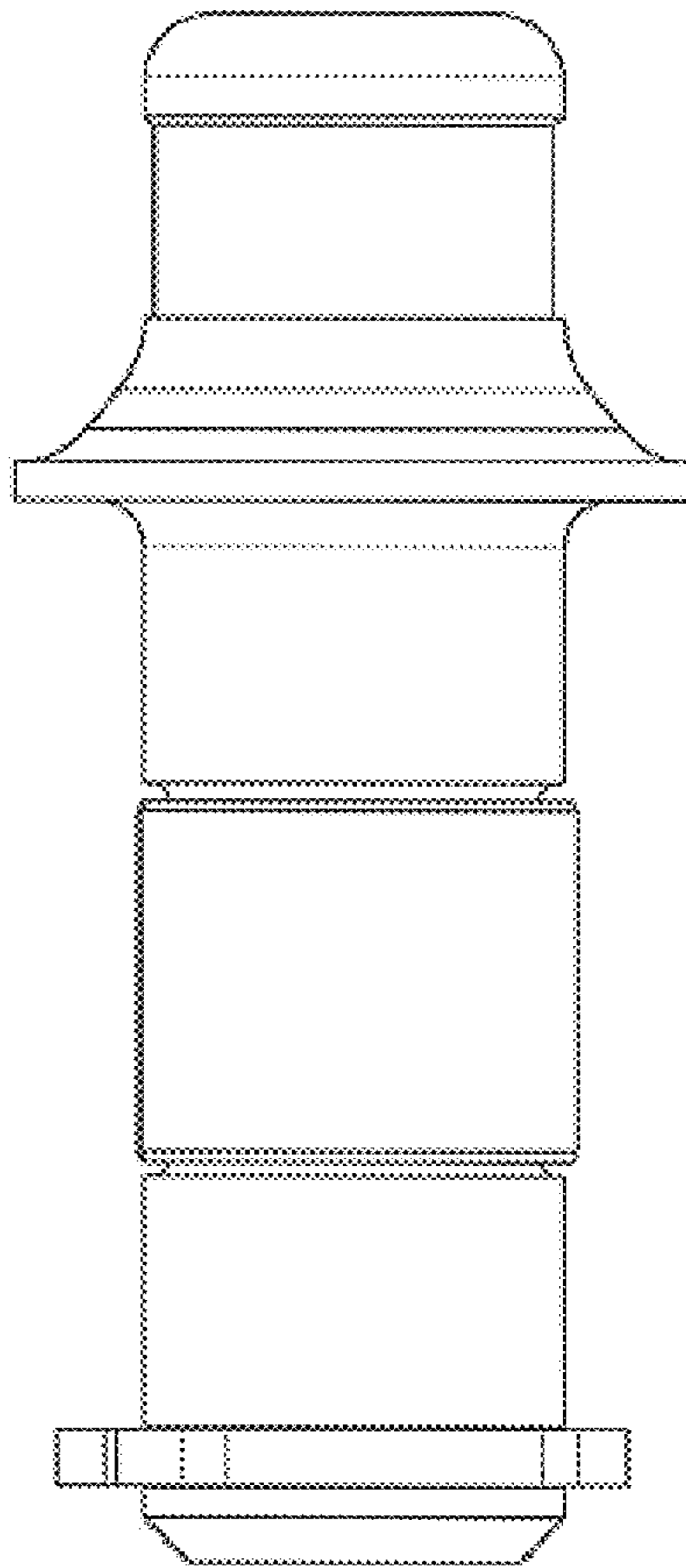


FIG. 10

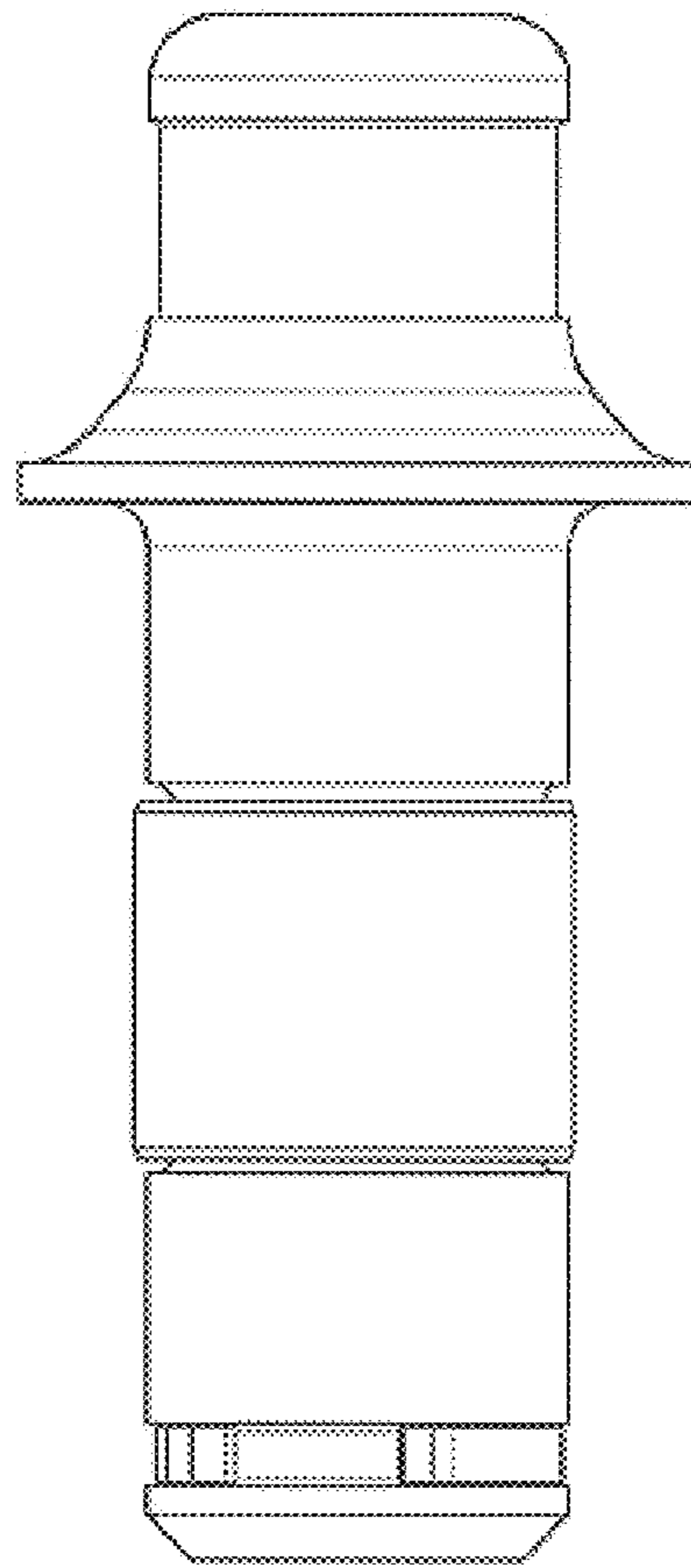


FIG. 11

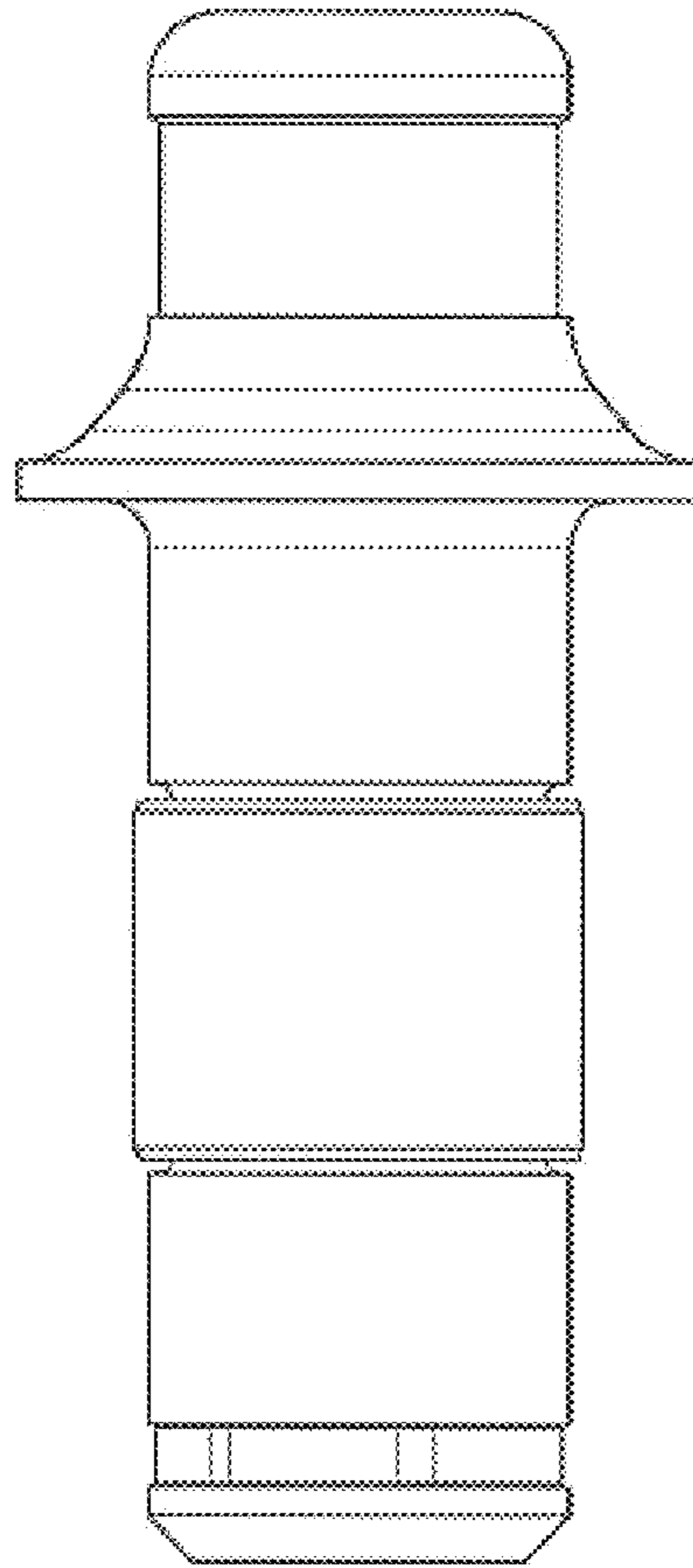


FIG. 12

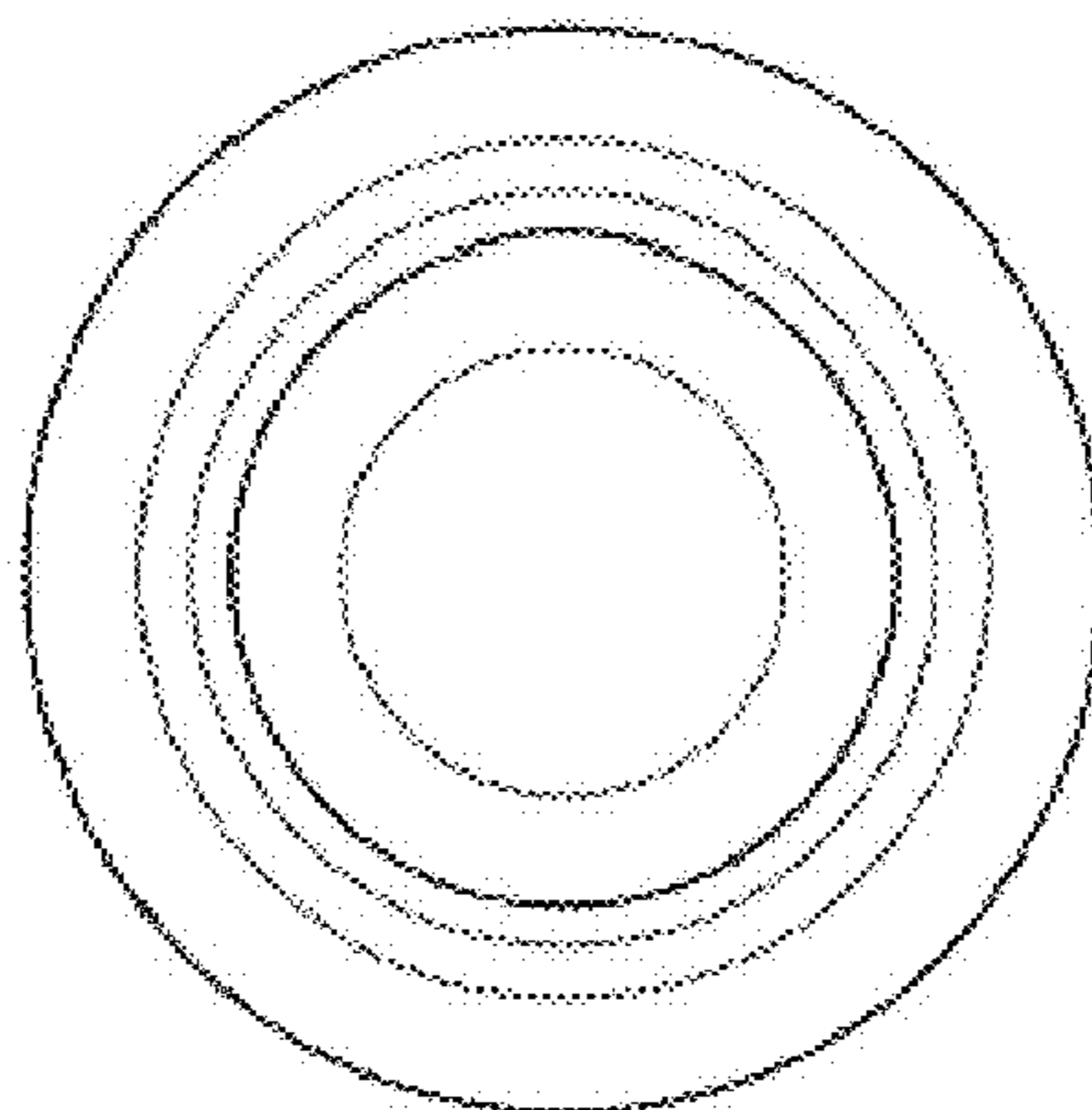


FIG. 13

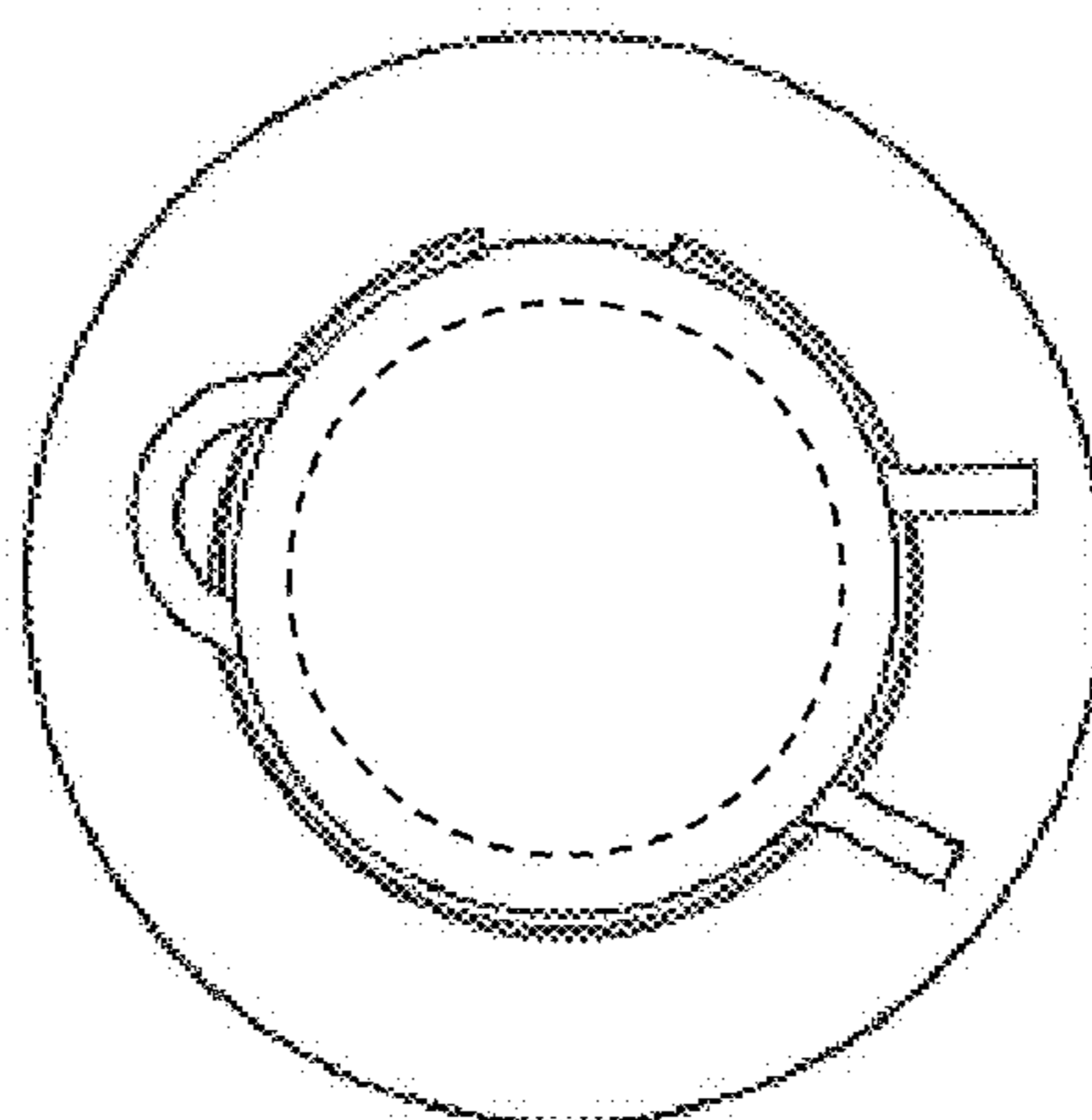


FIG. 14