



US00D745584S

(12) **United States Design Patent**
Heilmeier et al.

(10) **Patent No.:** **US D745,584 S**

(45) **Date of Patent:** **** Dec. 15, 2015**

(54) **CUTTING TOOL**

(71) Applicant: **SANDVIK INTELLECTUAL
PROPERTY AB**, Sandviken (SE)

(72) Inventors: **Michael Heilmeier**, Dobriach (AT);
Hannes Voitc, Weibkirchen (AT);
Joseph Fader, Marietta, GA (US)

(73) Assignee: **SANDVIK INTELLECTUAL
PROPERTY AB**, Sandviken (SE)

(**) Term: **14 Years**

(21) Appl. No.: **29/508,544**

(22) Filed: **Nov. 7, 2014**

(30) **Foreign Application Priority Data**

May 8, 2014 (EM) 001410823-0001

(51) **LOC (10) Cl.** **15-09**

(52) **U.S. Cl.**
USPC **D15/139**

(58) **Field of Classification Search**
USPC D15/128, 131, 139, 140
See application file for complete search history.

(56) **References Cited**

U.S. PATENT DOCUMENTS

4,208,154 A *	6/1980	Gundy	B28D 1/041 125/20
D541,831 S *	5/2007	Miyanaga	D15/139
D595,435 S *	6/2009	Foo	D26/3
D672,795 S *	12/2012	Inkster	D15/139
D678,370 S *	3/2013	Inkster	D15/139
D688,931 S *	9/2013	Sterner	D8/98
D719,592 S *	12/2014	Inkster	D15/126
D719,593 S *	12/2014	Inkster	D15/126

* cited by examiner

Primary Examiner — Patricia Palasik

(74) *Attorney, Agent, or Firm* — Corinne R. Gorski

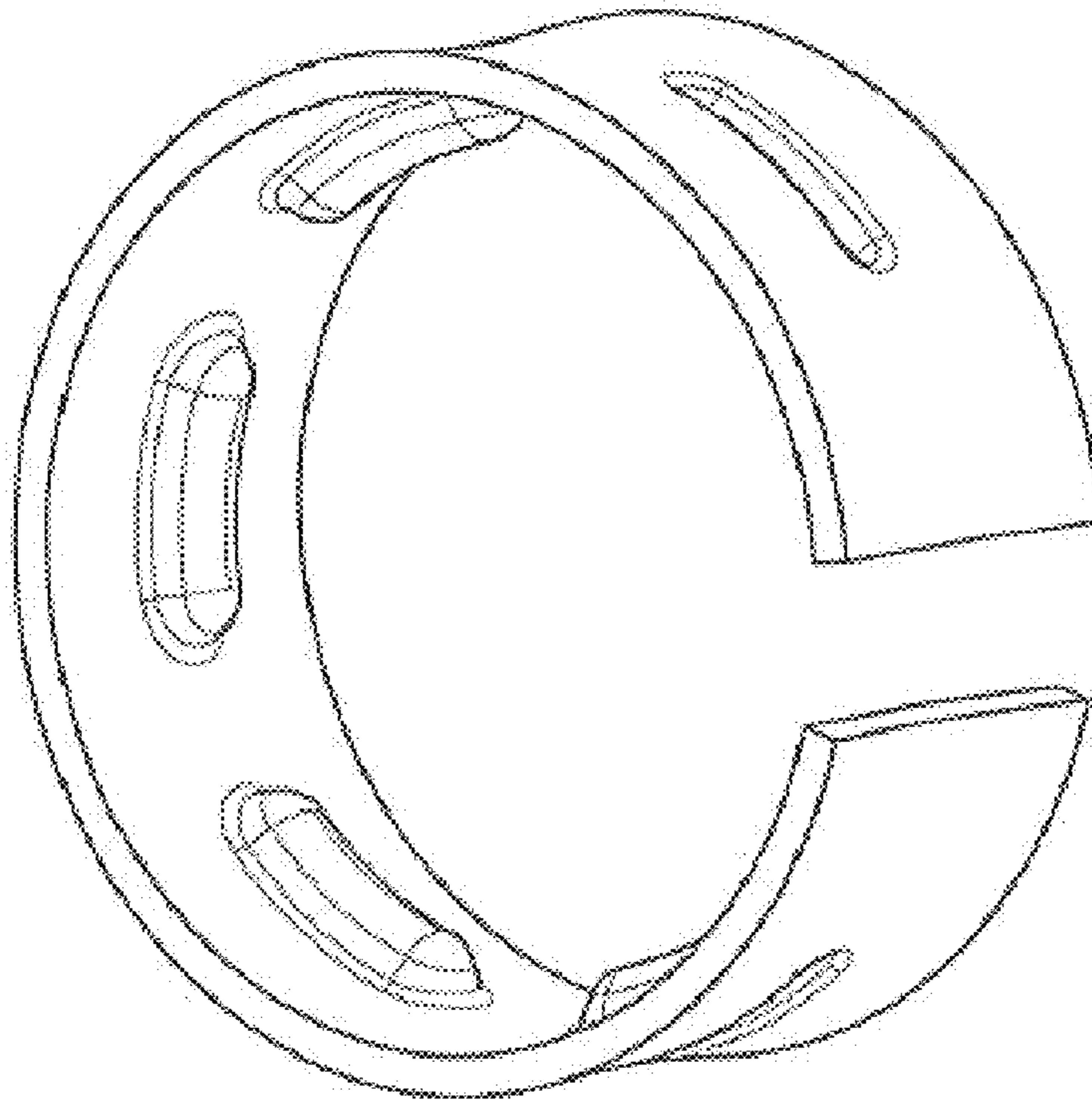
(57) **CLAIM**

The ornamental design for a cutting tool, as shown and described.

DESCRIPTION

FIG. 1 is a perspective view of a cutting tool;
FIG. 2 is an end view thereof;
FIG. 3 is an opposite end view thereof;
FIG. 4 is a side view thereof;
FIG. 5 is another side view thereof;
FIG. 6 is yet another side view thereof; and,
FIG. 7 is a further side view thereof.

1 Claim, 3 Drawing Sheets



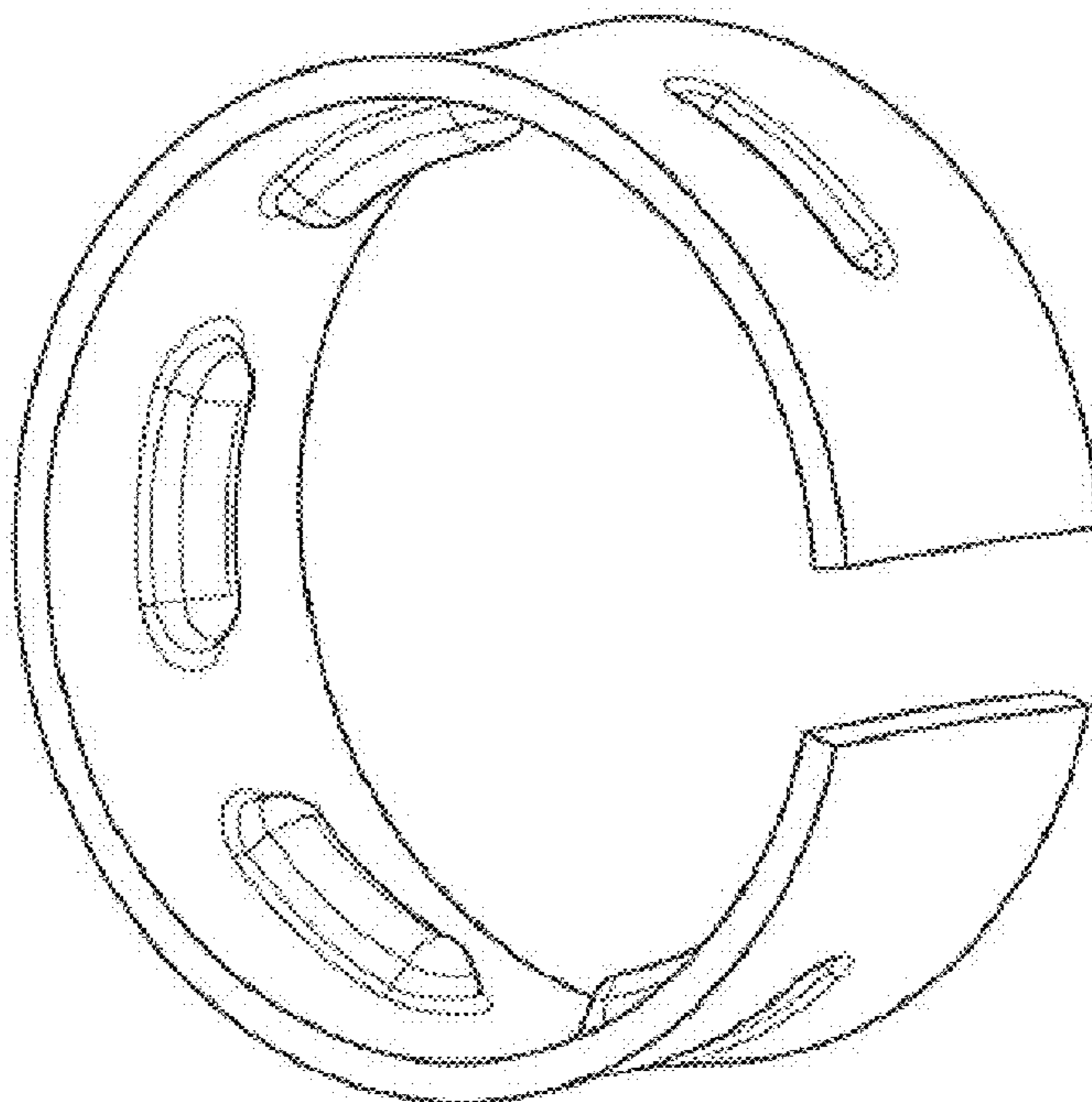


FIG. 1

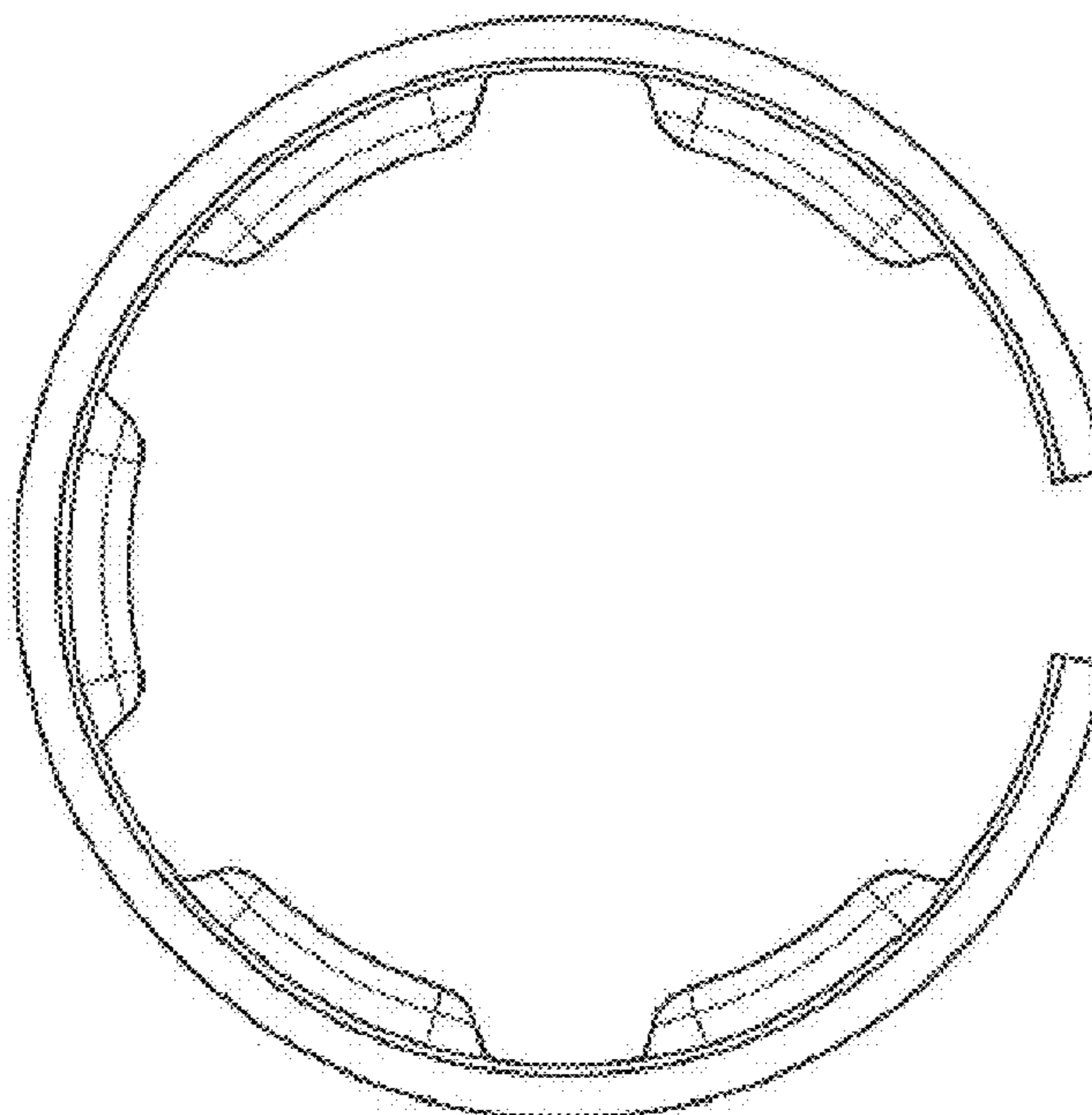


FIG. 2

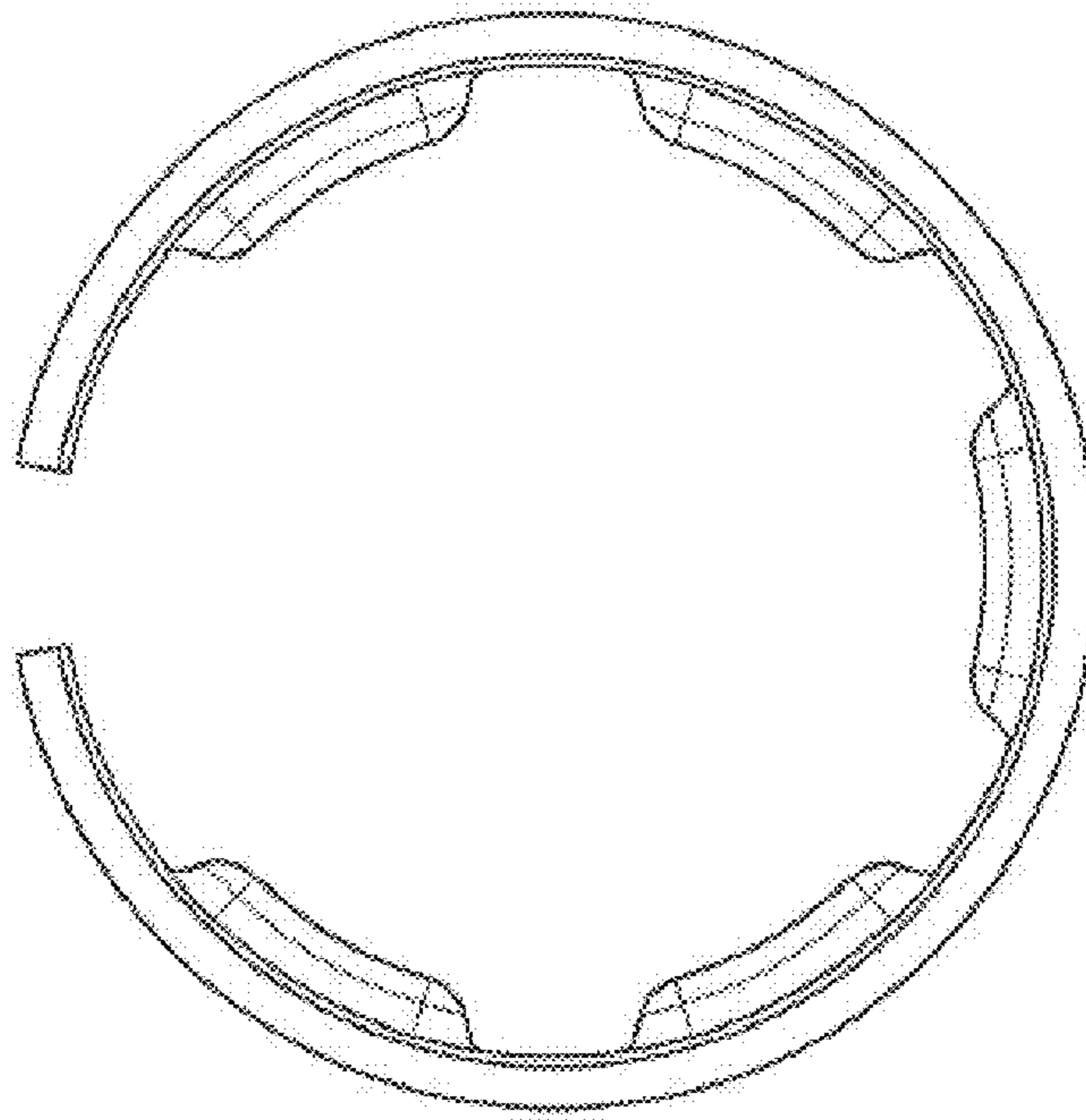


FIG. 3

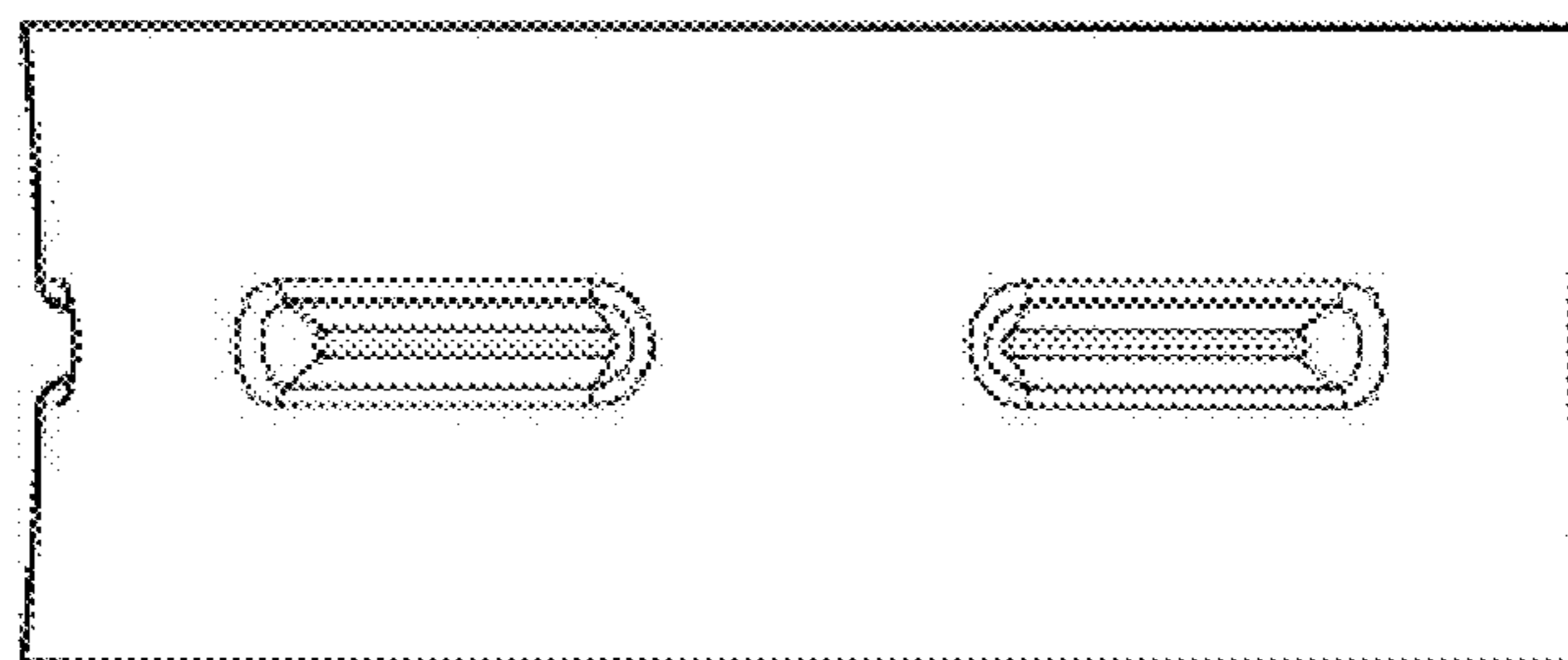


FIG. 4

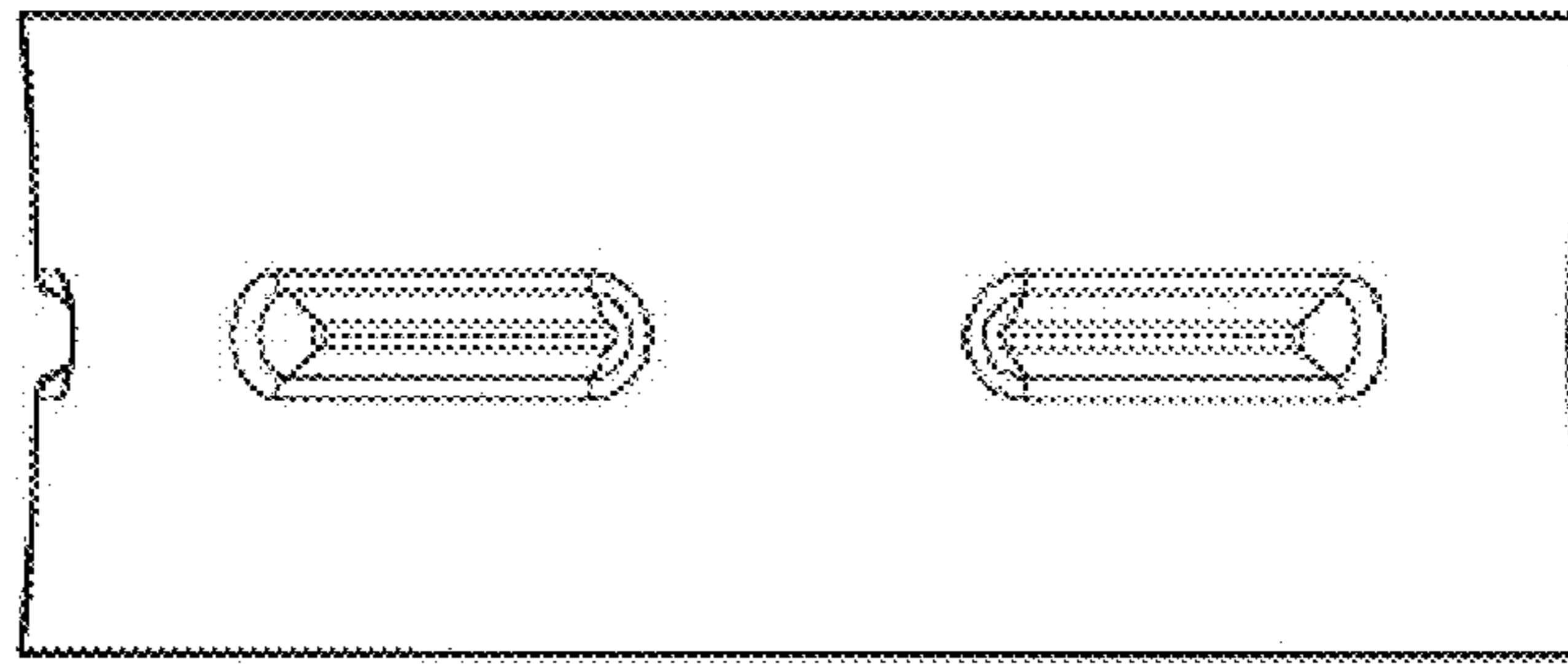


FIG. 5

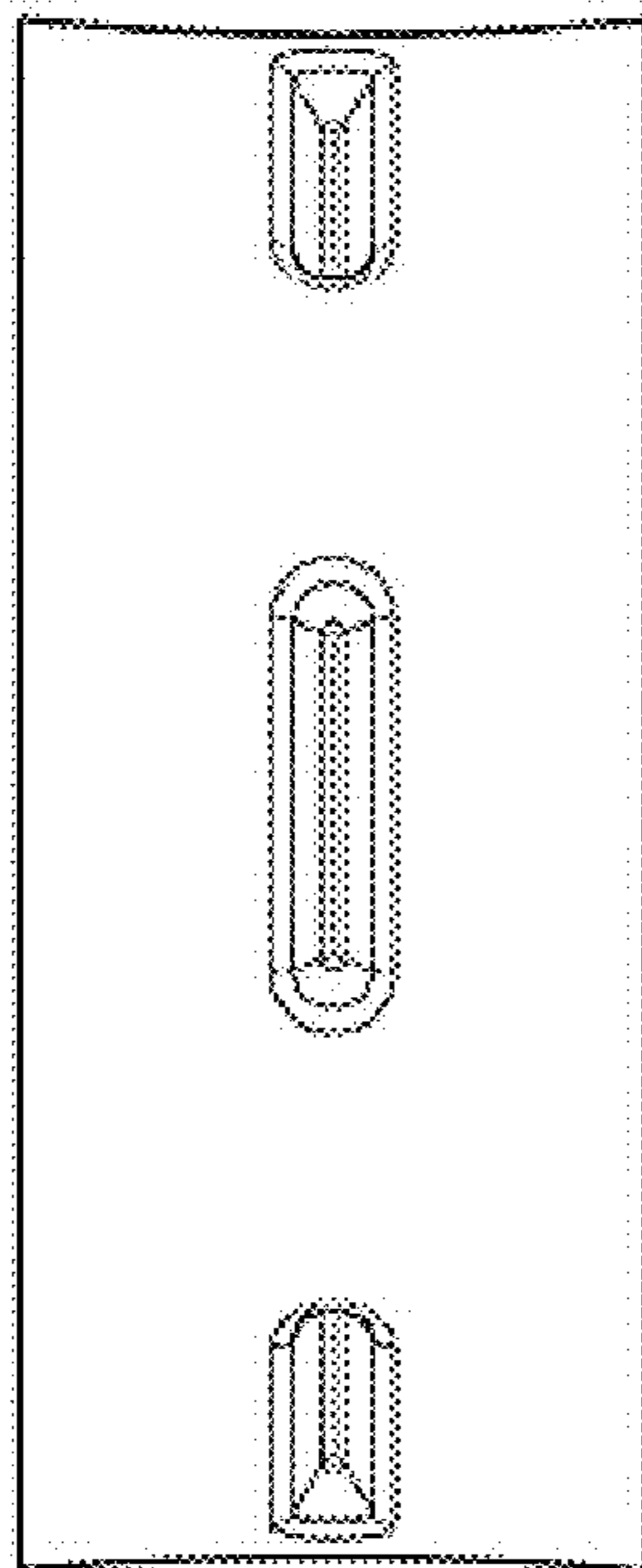


FIG. 6

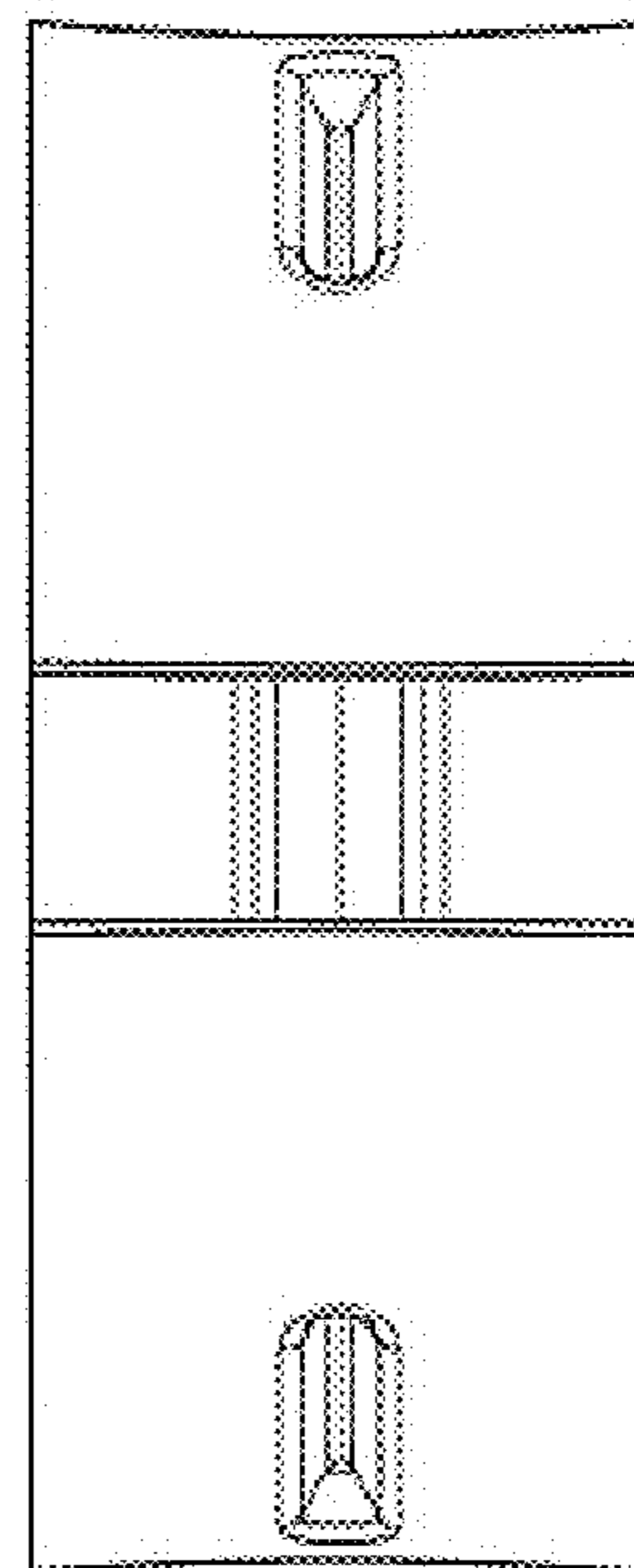


FIG. 7