



US00D745583S

(12) **United States Design Patent**  
**Arikan et al.**

(10) **Patent No.:** **US D745,583 S**  
(45) **Date of Patent:** **\*\* Dec. 15, 2015**

- (54) **FLUID DISTRIBUTION DEVICE**
- (71) Applicant: **Foseco International Limited**, Central Park, Barlborough Links (GB)
- (72) Inventors: **Mustafa Evren Arikan**, Eskisehir (TR); **Christof Volks**, Velen (DE); **David Hrabina**, Prerov-I mesto (CZ)
- (73) Assignee: **FOSECO INTERNATIONAL LIMITED**, Derbyshire (GB)
- (\*\*) Term: **14 Years**
- (21) Appl. No.: **29/486,239**
- (22) Filed: **Mar. 27, 2014**

6,933,850	B2 *	8/2005	Garcia et al. ....	340/572.8
7,147,407	B2 *	12/2006	Satran .....	407/42
7,174,726	B2 *	2/2007	Grau et al. ....	62/115
7,287,672	B2 *	10/2007	Garcia .....	222/321.8
7,491,323	B2 *	2/2009	Bresolin et al. ....	210/150
7,520,409	B2 *	4/2009	Bougamont et al. ....	222/321.9
D595,809	S *	7/2009	Madsen et al. ....	D23/233
7,562,676	B2 *	7/2009	Boudou et al. ....	137/636.1
7,789,274	B2 *	9/2010	Garcia .....	222/321.7
D625,777	S *	10/2010	Loffler .....	D23/233
8,113,172	B2 *	2/2012	Farrell .....	123/406.11
D673,646	S *	1/2013	Ben-Horin et al. ....	D23/209
D680,616	S *	4/2013	Ben-Horin et al. ....	D23/209
D681,159	S *	4/2013	Ben-Horin et al. ....	D23/209
8,419,073	B2 *	4/2013	Harhoff et al. ....	285/288.1
D684,661	S *	6/2013	Ogen et al. ....	D23/213
8,500,171	B2 *	8/2013	Tadlock et al. ....	285/125.1
8,506,230	B2 *	8/2013	Ollila et al. ....	414/208
D692,534	S *	10/2013	Fangmeier .....	D23/233
8,763,864	B2 *	7/2014	Duquet .....	222/321.1

\* cited by examiner

- (30) **Foreign Application Priority Data**  
Oct. 17, 2013 (EM) ..... 002328781-0001

*Primary Examiner* — Patricia Palasik  
(74) *Attorney, Agent, or Firm* — Nixon & Vanderhye P.C.

- (51) **LOC (10) Cl.** ..... **15-09**
- (52) **U.S. Cl.**  
USPC ..... **D15/138**
- (58) **Field of Classification Search**  
USPC ..... D15/1, 5, 138, 199; D23/233–237,  
D23/244–249  
See application file for complete search history.

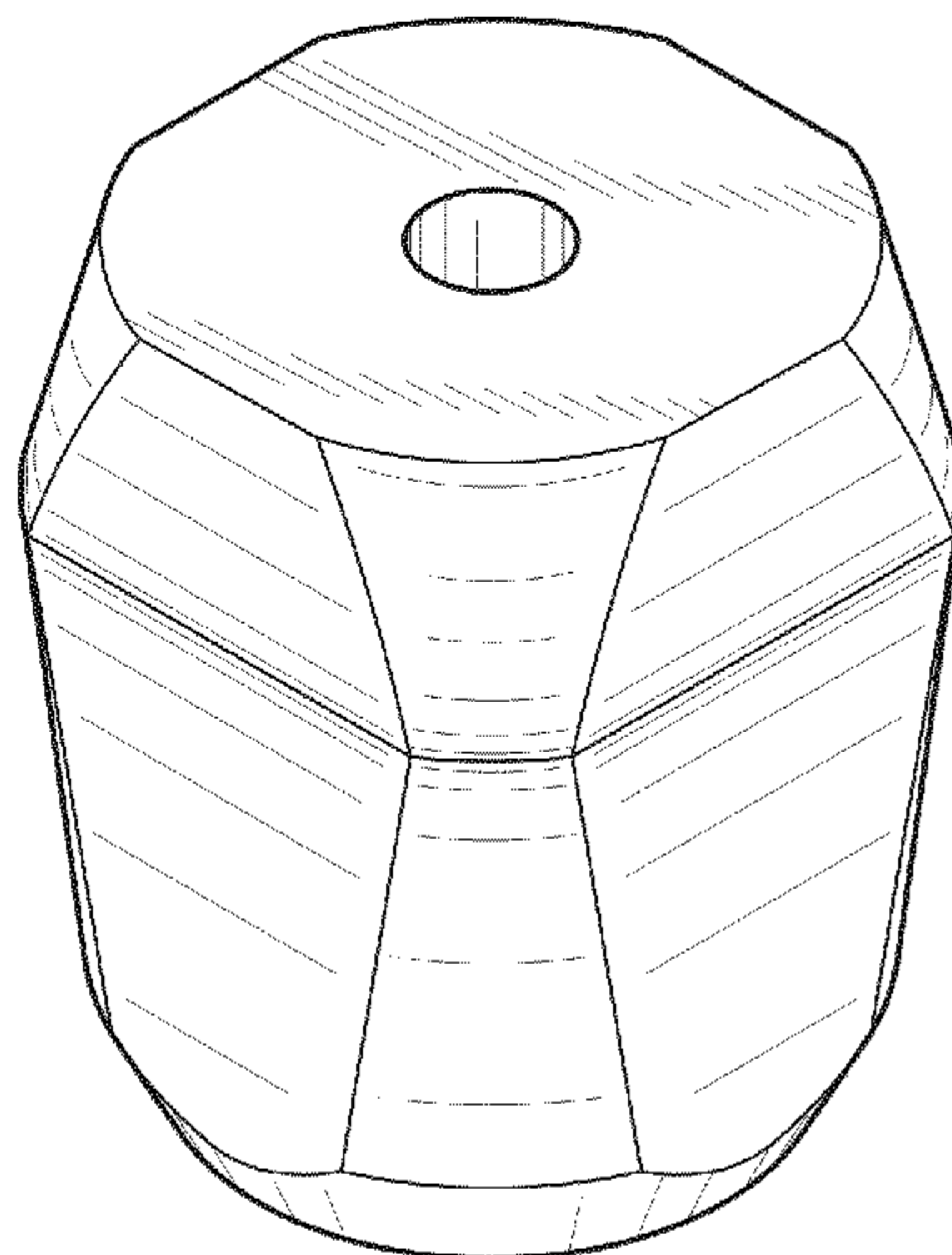
(57) **CLAIM**  
The ornamental design for a “fluid distribution device,” as shown and described.

- (56) **References Cited**  
U.S. PATENT DOCUMENTS  
4,632,078 A \* 12/1986 Sasaki et al. .... 123/146.5 A  
4,674,673 A \* 6/1987 Parrish .....

**DESCRIPTION**

FIG. 1 is an oblique top perspective view of a fluid distribution device, showing our new design thereof;  
FIG. 2 is a front elevational view thereof, each of the rear, right and left elevational views being mirror images thereof;  
FIG. 3 is a top plan view thereof;  
FIG. 4 is a bottom plan view thereof;  
FIG. 5 is an oblique front side elevational view thereof as taken along line 5-5 in FIG. 4, each of the oblique rear, oblique right and oblique left side elevational views being mirror images thereof;  
FIG. 6 is a bottom perspective view thereof; and,  
FIG. 7 is a cross-sectional perspective view thereof as taken along line 7-7 in FIG. 3.

**1 Claim, 4 Drawing Sheets**



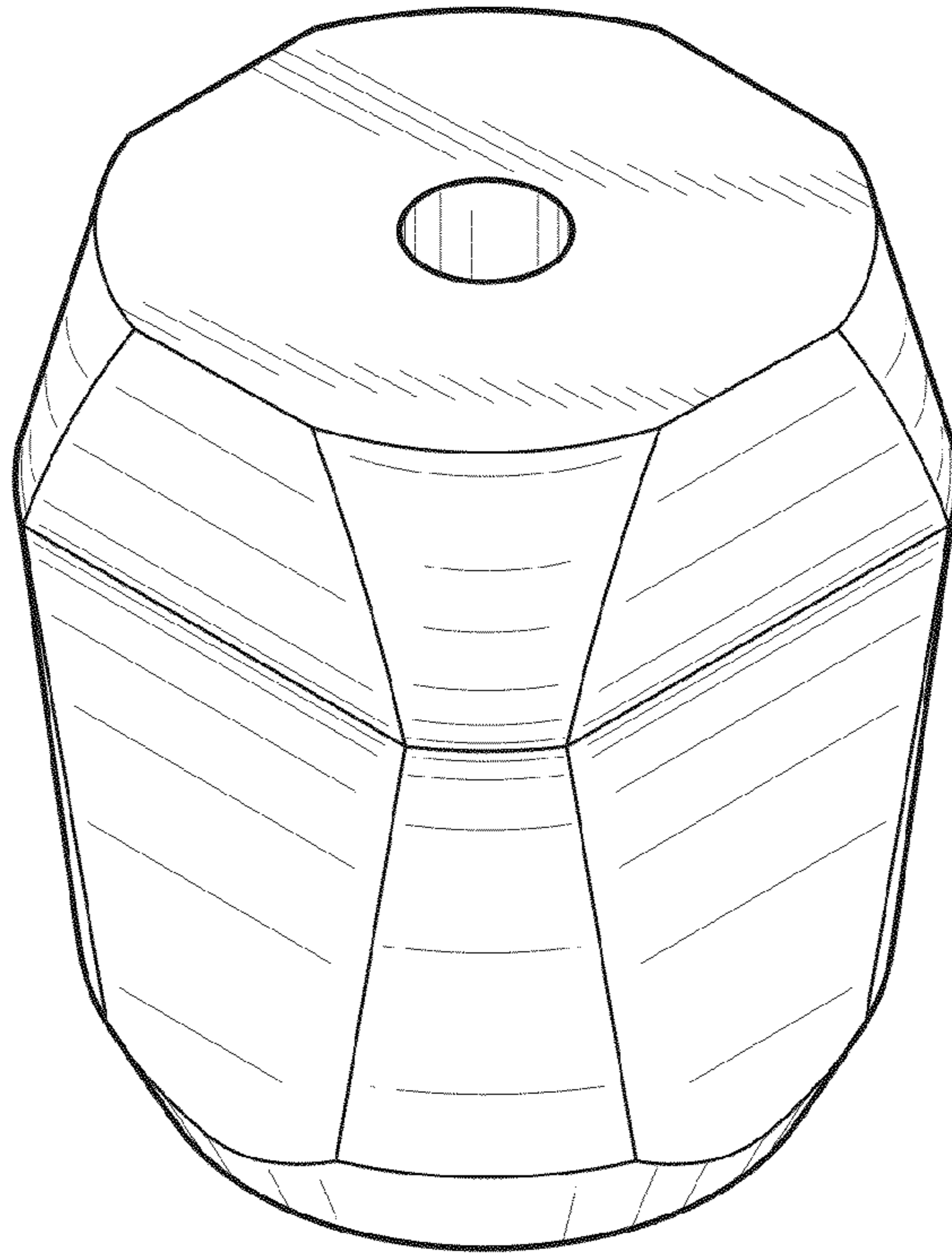


FIG. 1

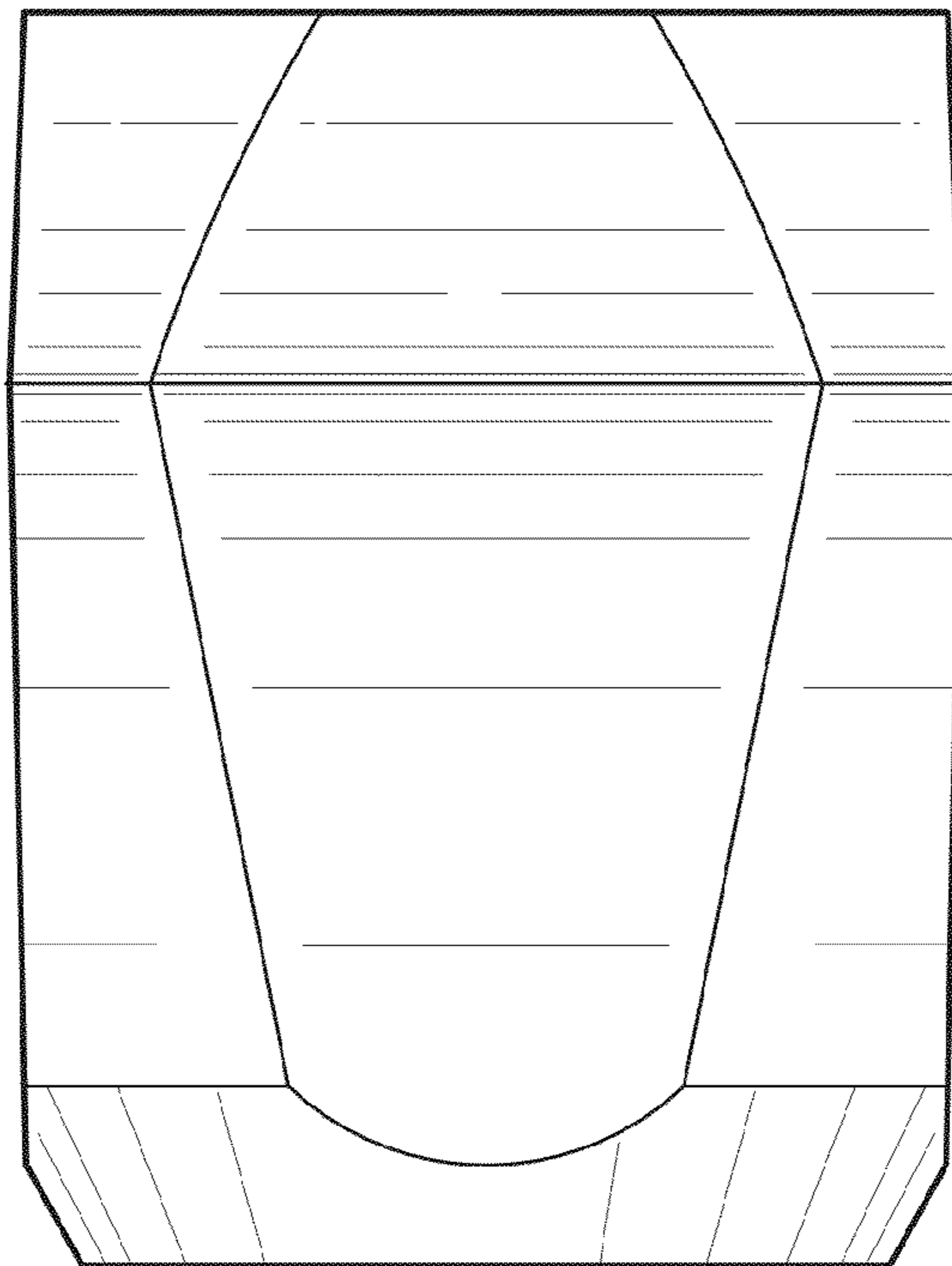


FIG. 2

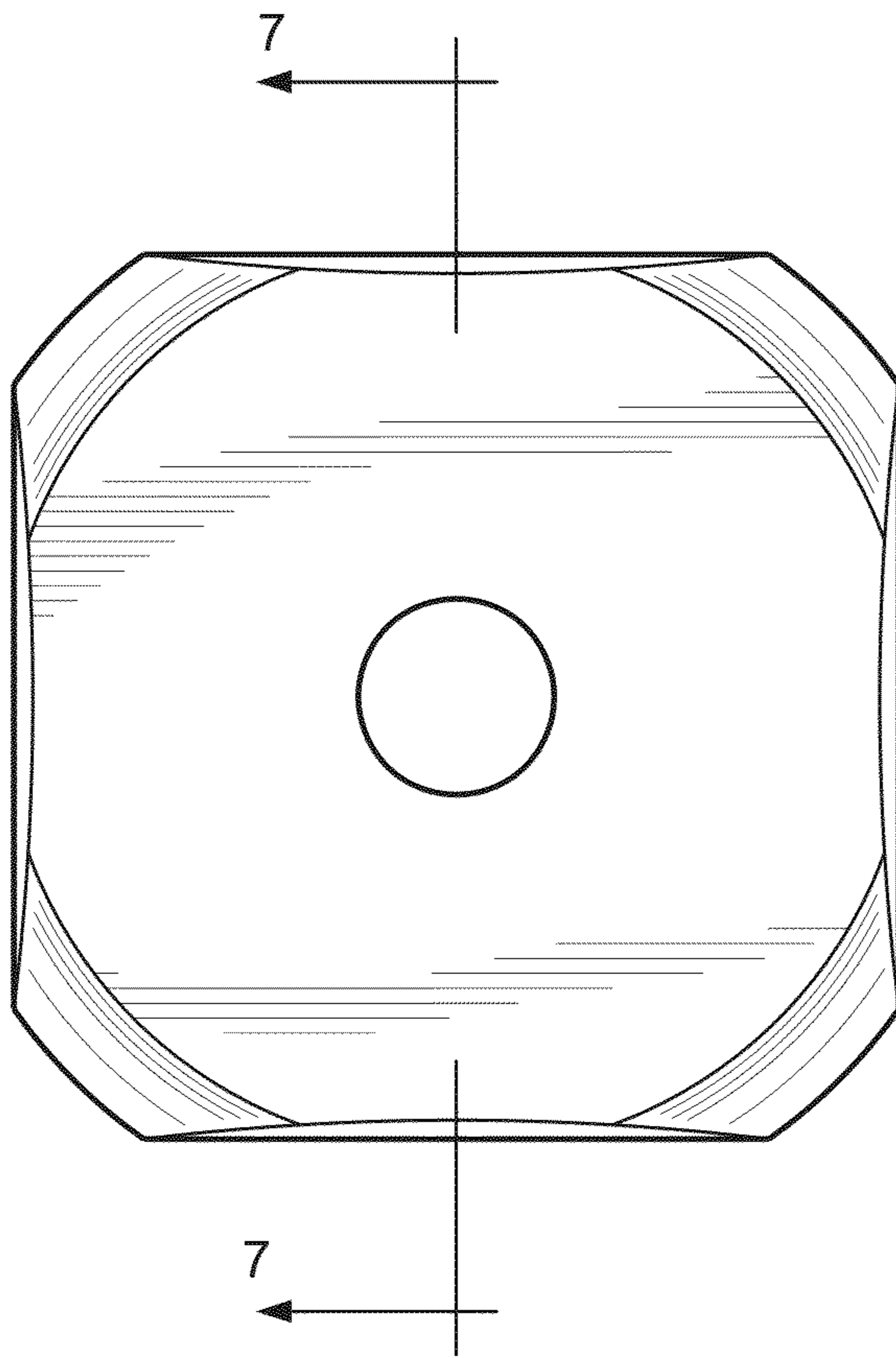


FIG. 3

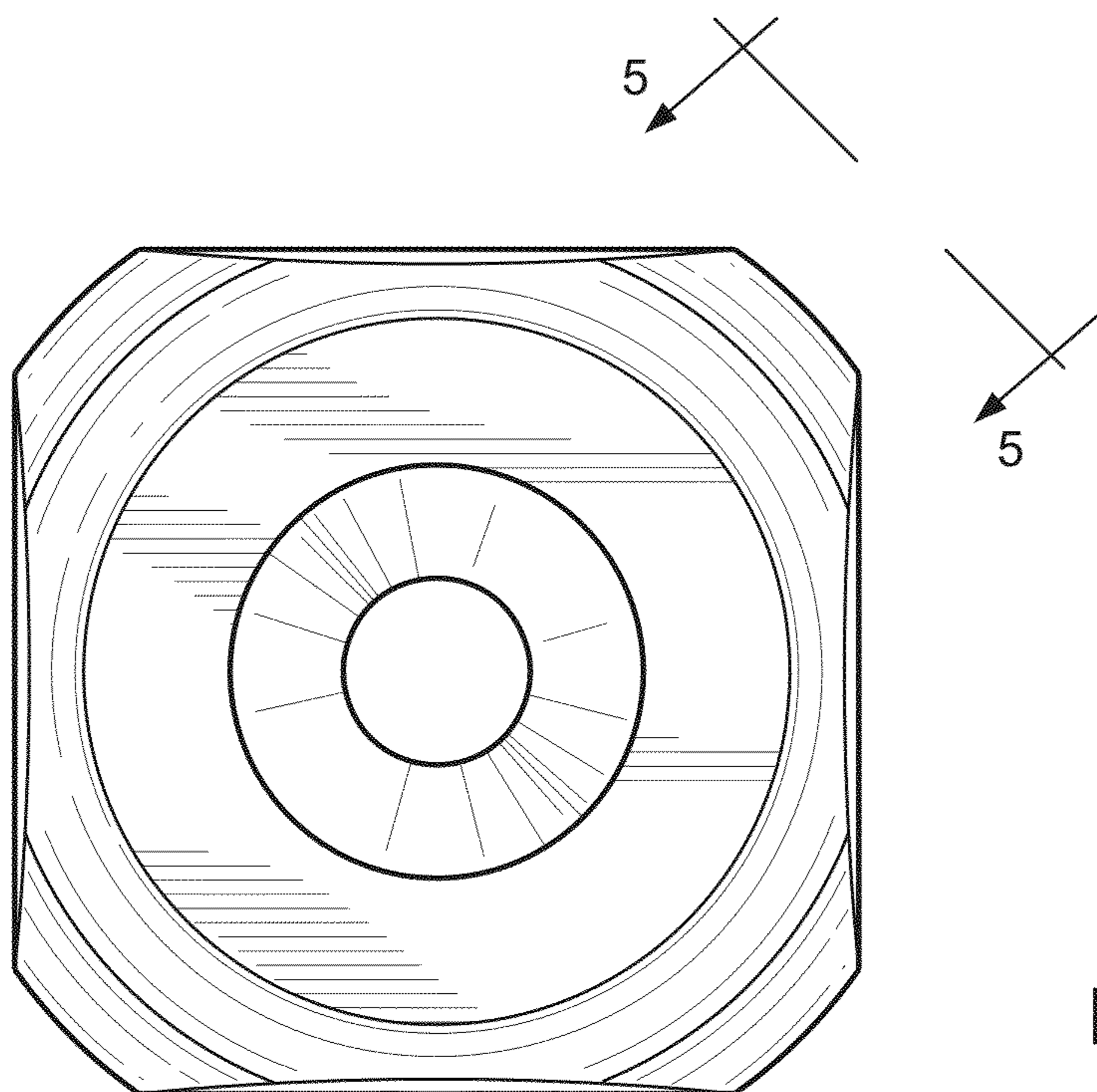
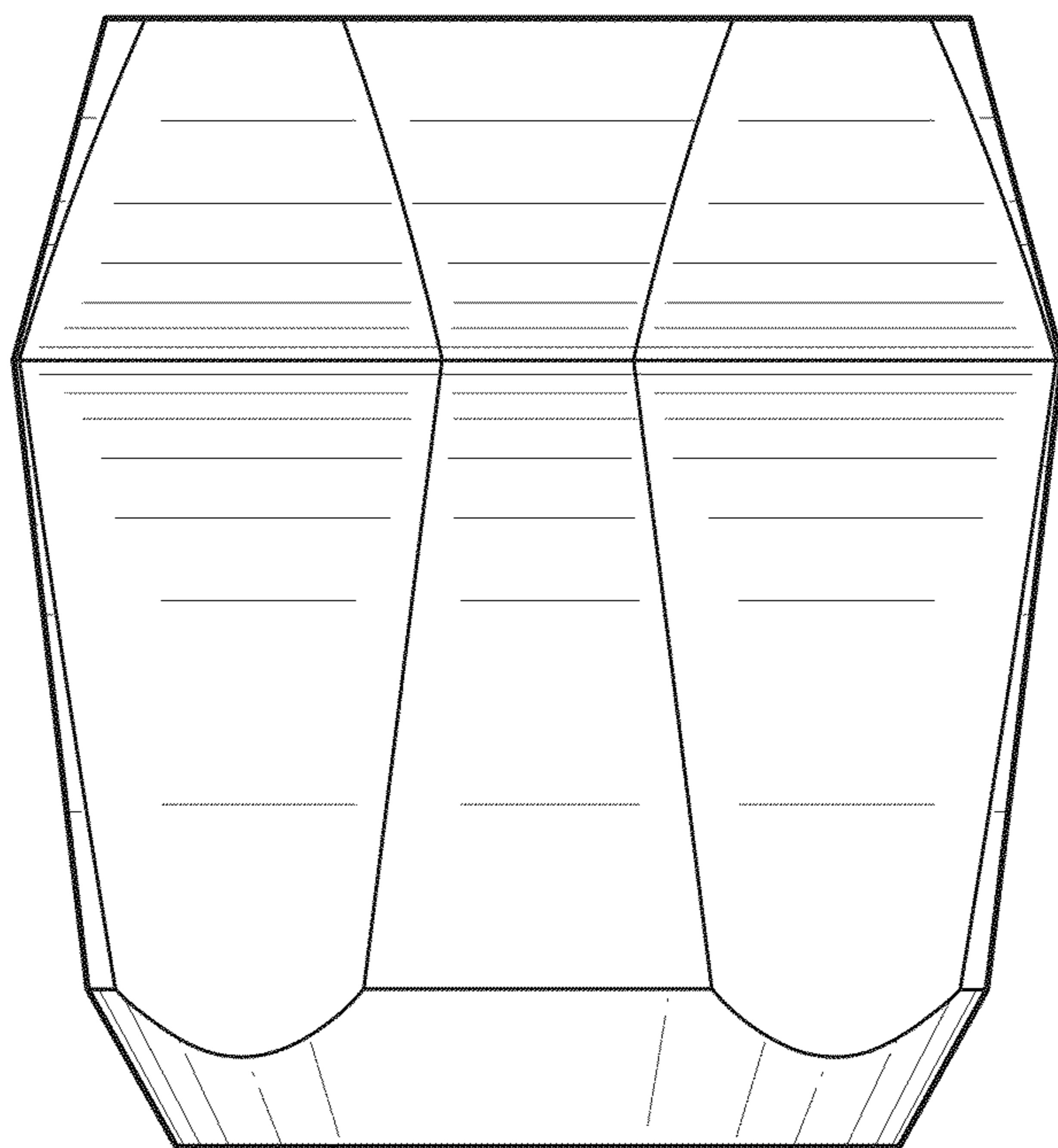
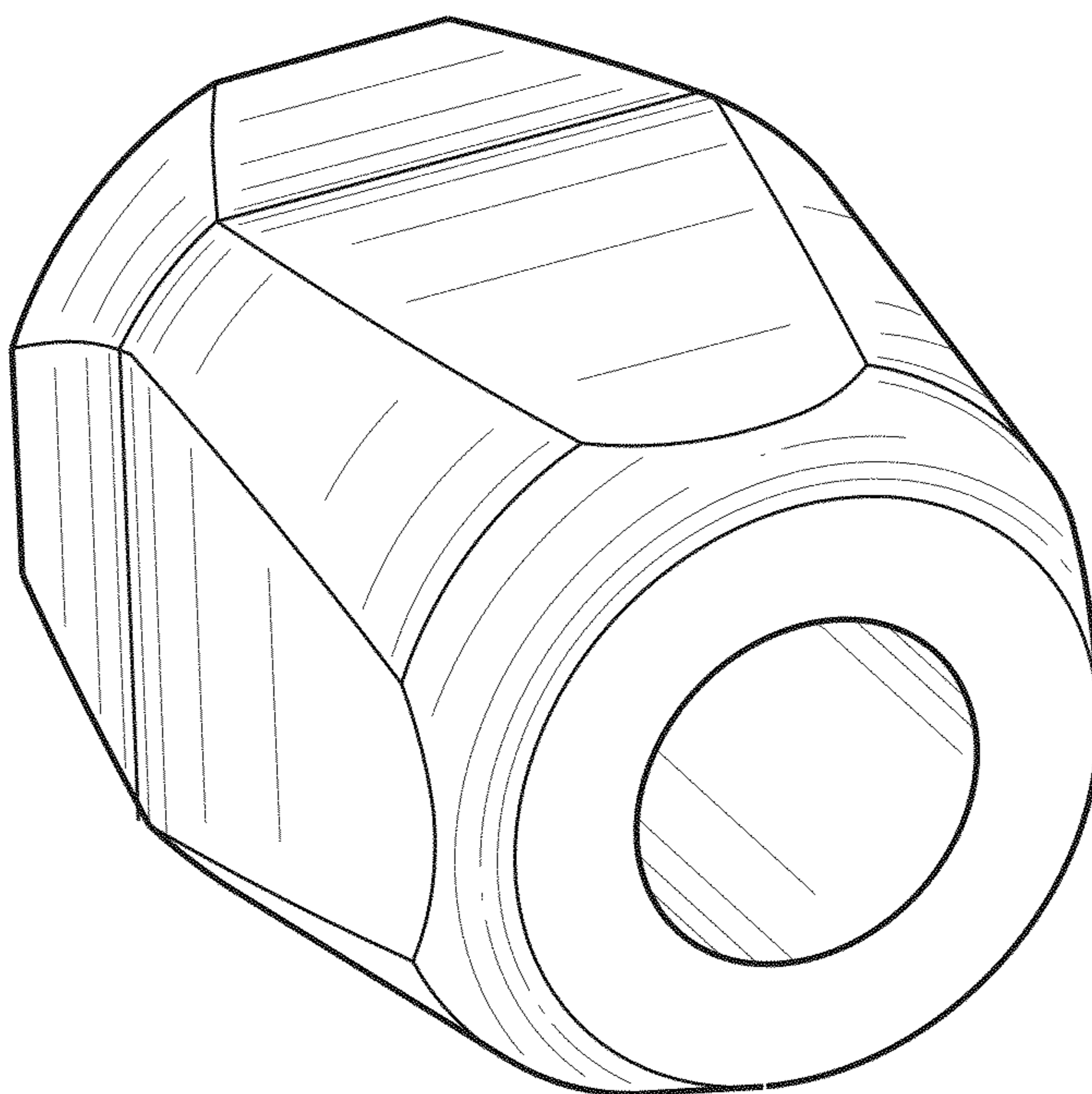


FIG. 4



**FIG. 5**



**FIG. 6**

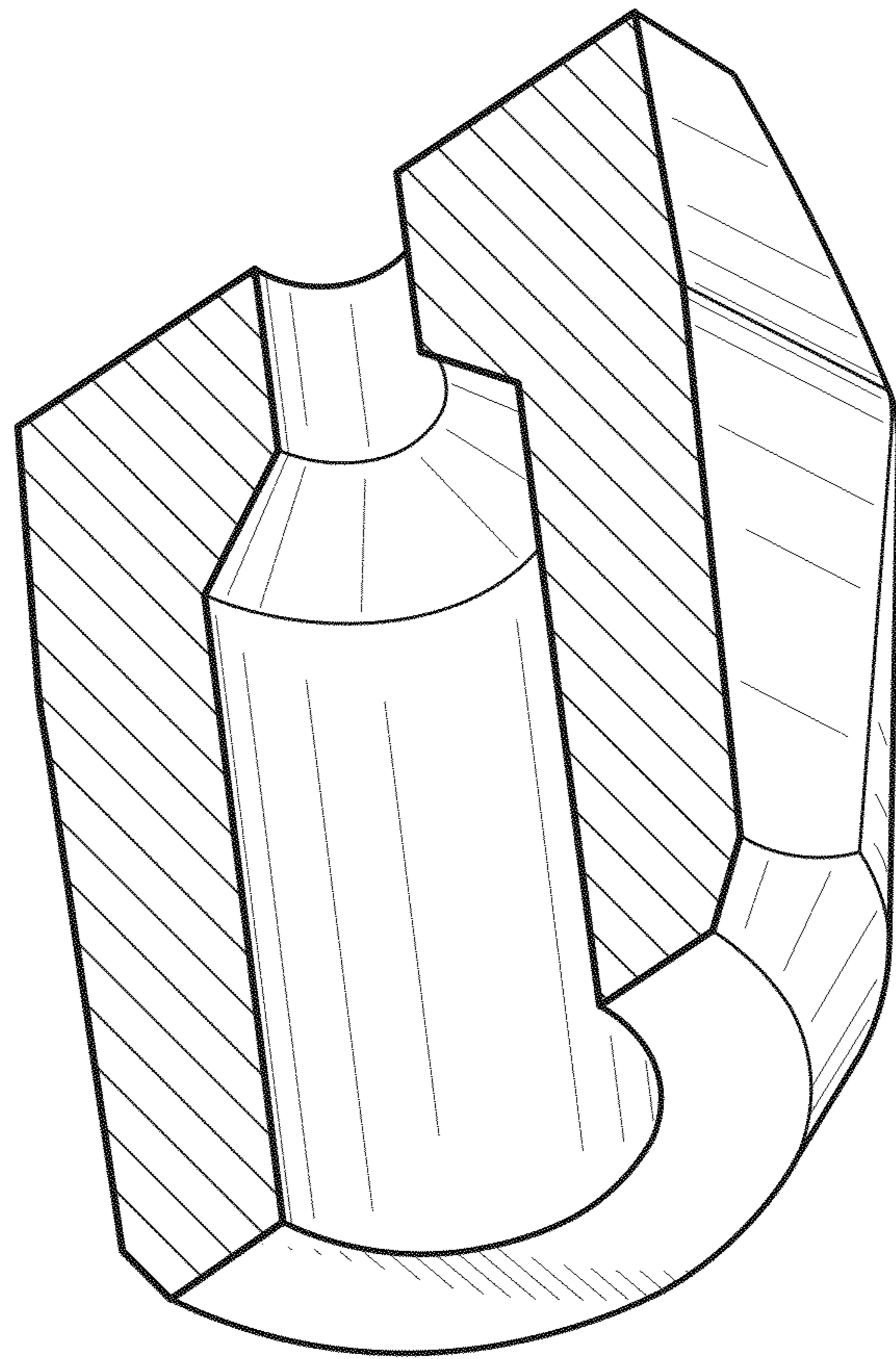


FIG. 7