



US00D745581S

(12) **United States Design Patent**
Jeon et al.

(10) **Patent No.:** **US D745,581 S**

(45) **Date of Patent:** **** Dec. 15, 2015**

(54) **DOOR GUARD FOR REFRIGERATOR**

(71) Applicant: **Samsung Electronics Co., Ltd.**,
Suwon-si, Gyeonggi-do (KR)

(72) Inventors: **Sang-Woon Jeon**, Namyangju-si (KR);
Se-Lim Yoon, Goyang-si (KR); **Jun-Kyo Lee**, Daegu (KR); **Hyun-Il Lee**, Seoul (KR)

(73) Assignee: **SAMSUNG ELECTRONICS CO., LTD.** (KR)

(**) Term: **14 Years**

(21) Appl. No.: **29/502,953**

(22) Filed: **Sep. 22, 2014**

(30) **Foreign Application Priority Data**

Mar. 24, 2014 (KR) 30-2014-0014513

(51) **LOC (10) Cl.** **15-07**

(52) **U.S. Cl.**
USPC **D15/89**

(58) **Field of Classification Search**
USPC D15/79-91
CPC F25D 23/028; F25D 23/02; F25D 25/025;
F25D 23/00; F25D 2323/021; F25D 11/00;
F25D 2323/024; F25D 23/04; F25D 29/00;
F25D 25/02; F25D 25/024; F25D 27/005;
F25D 23/12; F25D 29/005; F25D 17/042;
F25D 2325/021; F25D 2323/02

See application file for complete search history.

(56) **References Cited**

U.S. PATENT DOCUMENTS

D511,535	S	*	11/2005	Grobleben	D15/89
D513,757	S	*	1/2006	Grobleben	D15/89
D515,114	S	*	2/2006	Grobleben	D15/89
D695,796	S	*	12/2013	Lee et al.	D15/89
D733,770	S	*	7/2015	Park et al.	D15/89

* cited by examiner

Primary Examiner — Daniel Bui

Assistant Examiner — Khawaja Anwar

(74) *Attorney, Agent, or Firm* — Cantor Colburn LLP

(57) **CLAIM**

The ornamental design for a door guard for refrigerator, as shown and described.

DESCRIPTION

FIG. 1 is a perspective view of a door guard for refrigerator, showing our new design;
FIG. 2 is a front view thereof;
FIG. 3 is a rear view thereof;
FIG. 4 is a side view thereof;
FIG. 5 is a another side view thereof;
FIG. 6 is a top view thereof;
FIG. 7 is a bottom view thereof; and,
FIG. 8 is another perspective view thereof in an alternate configuration of use.

1 Claim, 5 Drawing Sheets

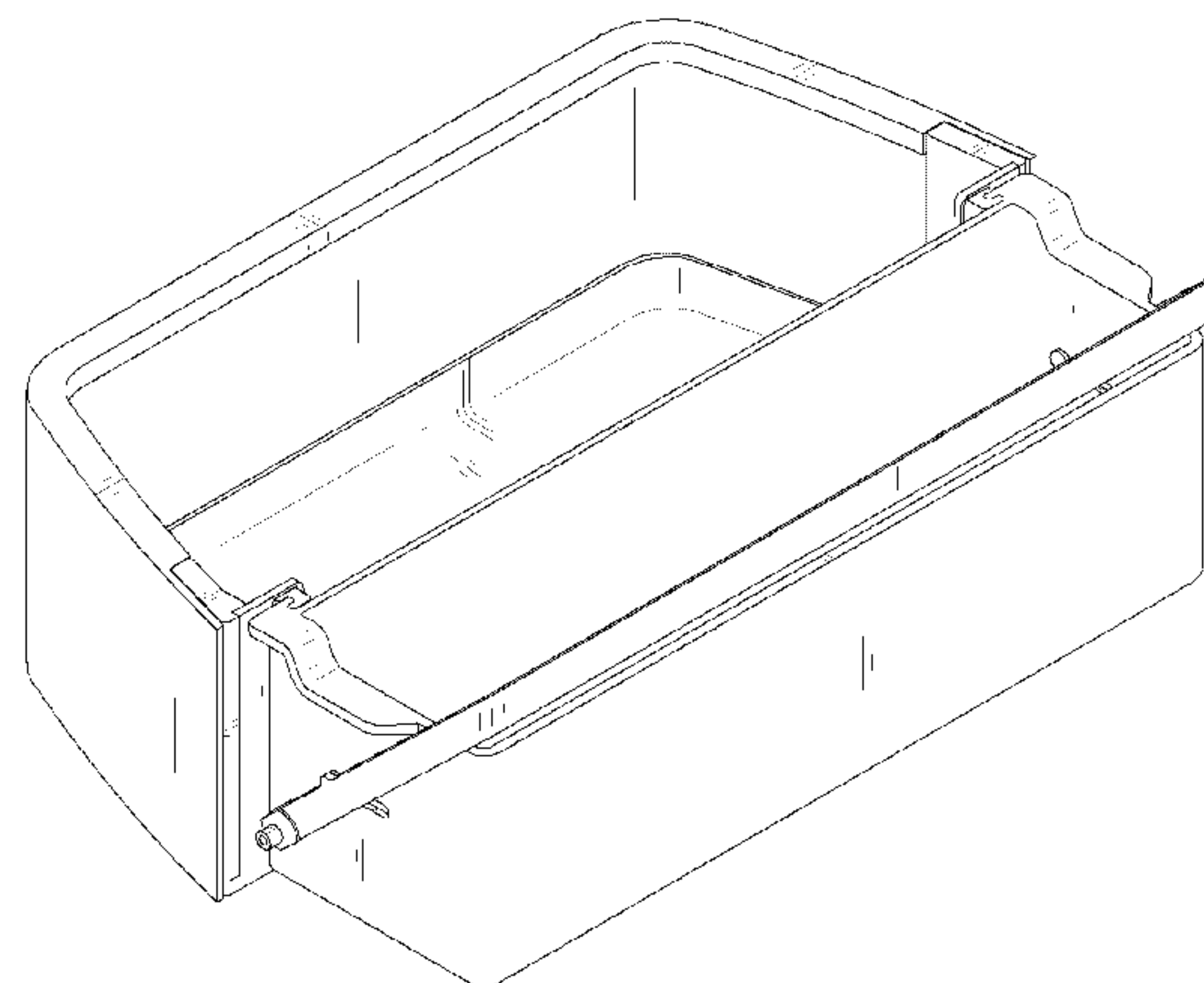
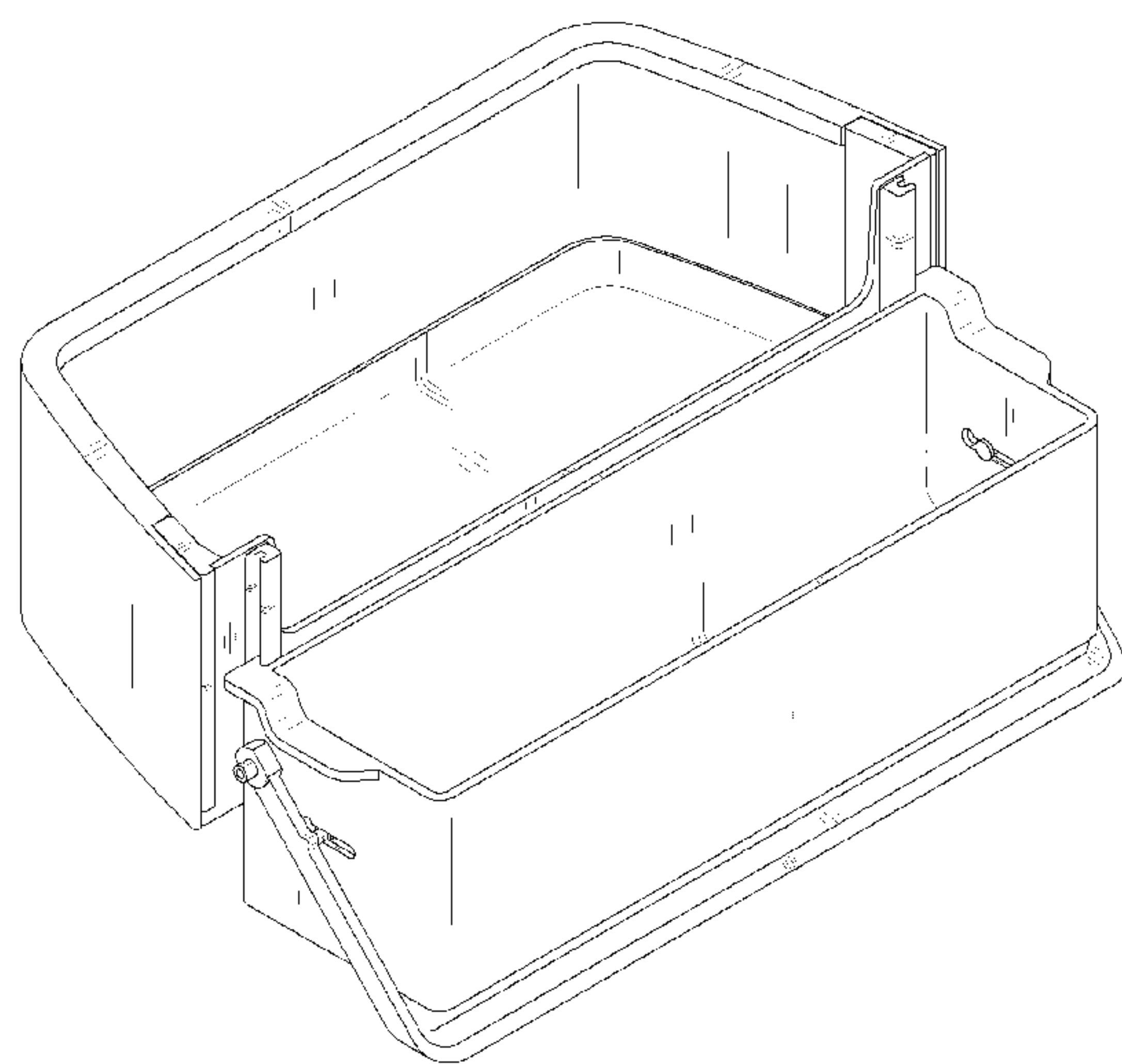


FIG. 1

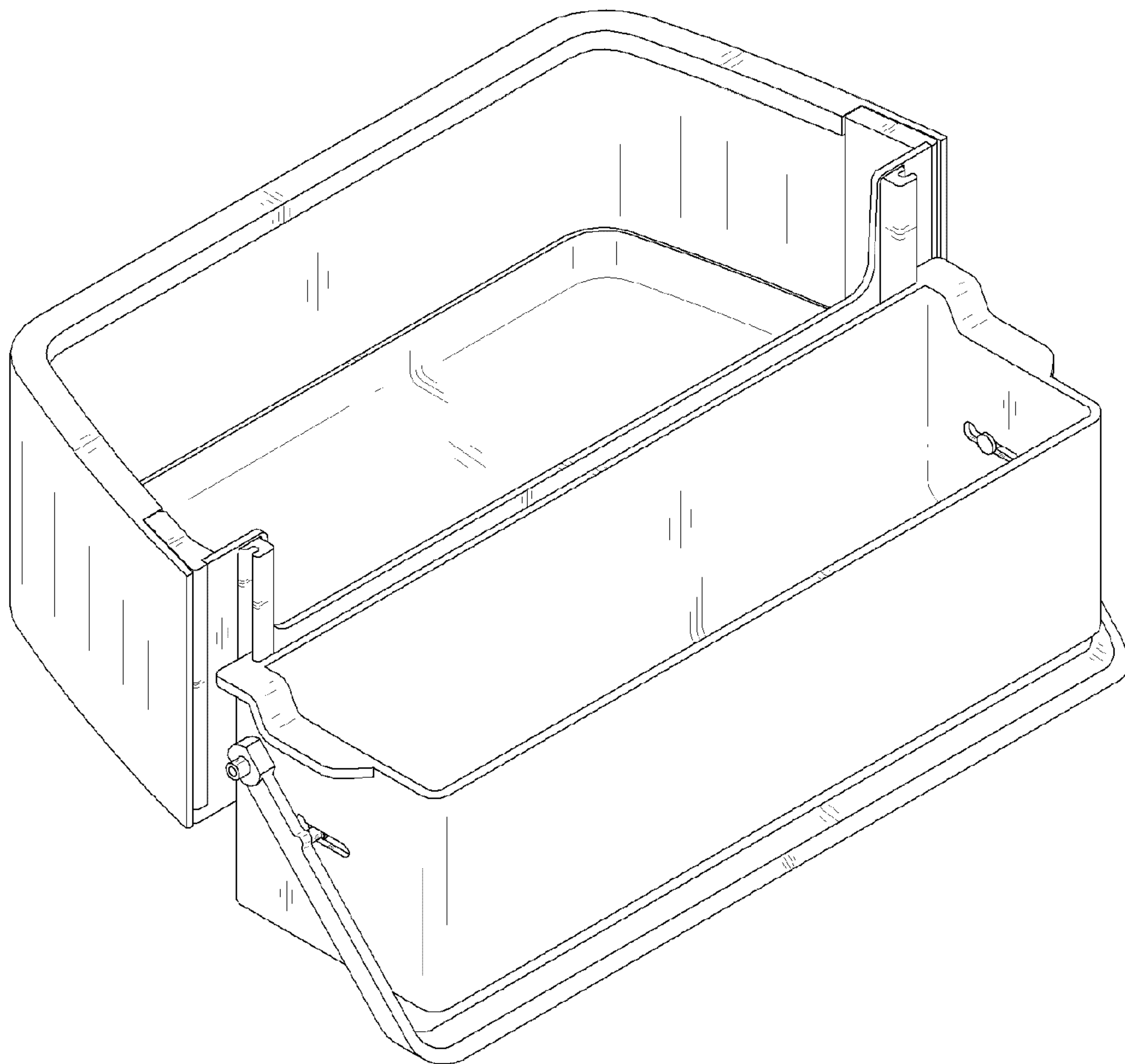


FIG. 2

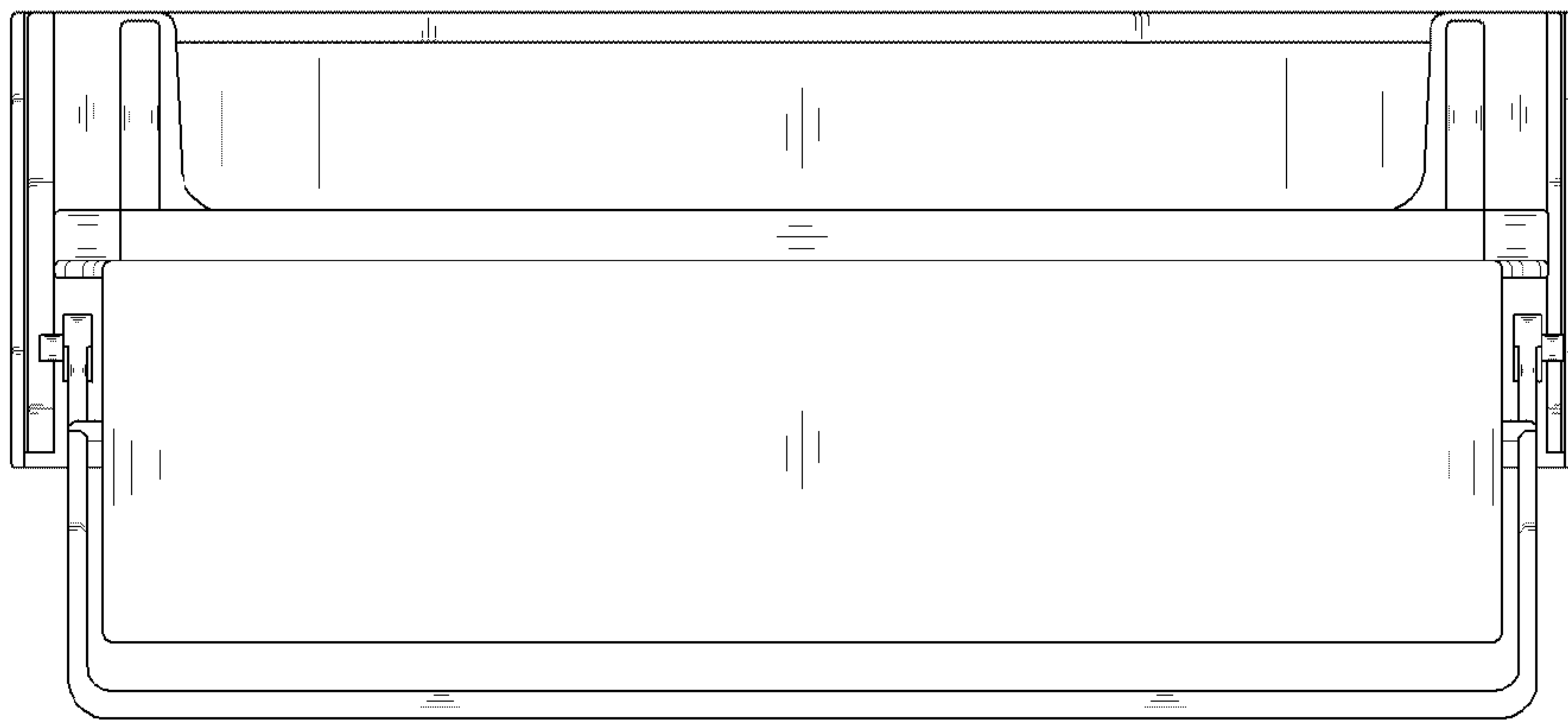


FIG. 3

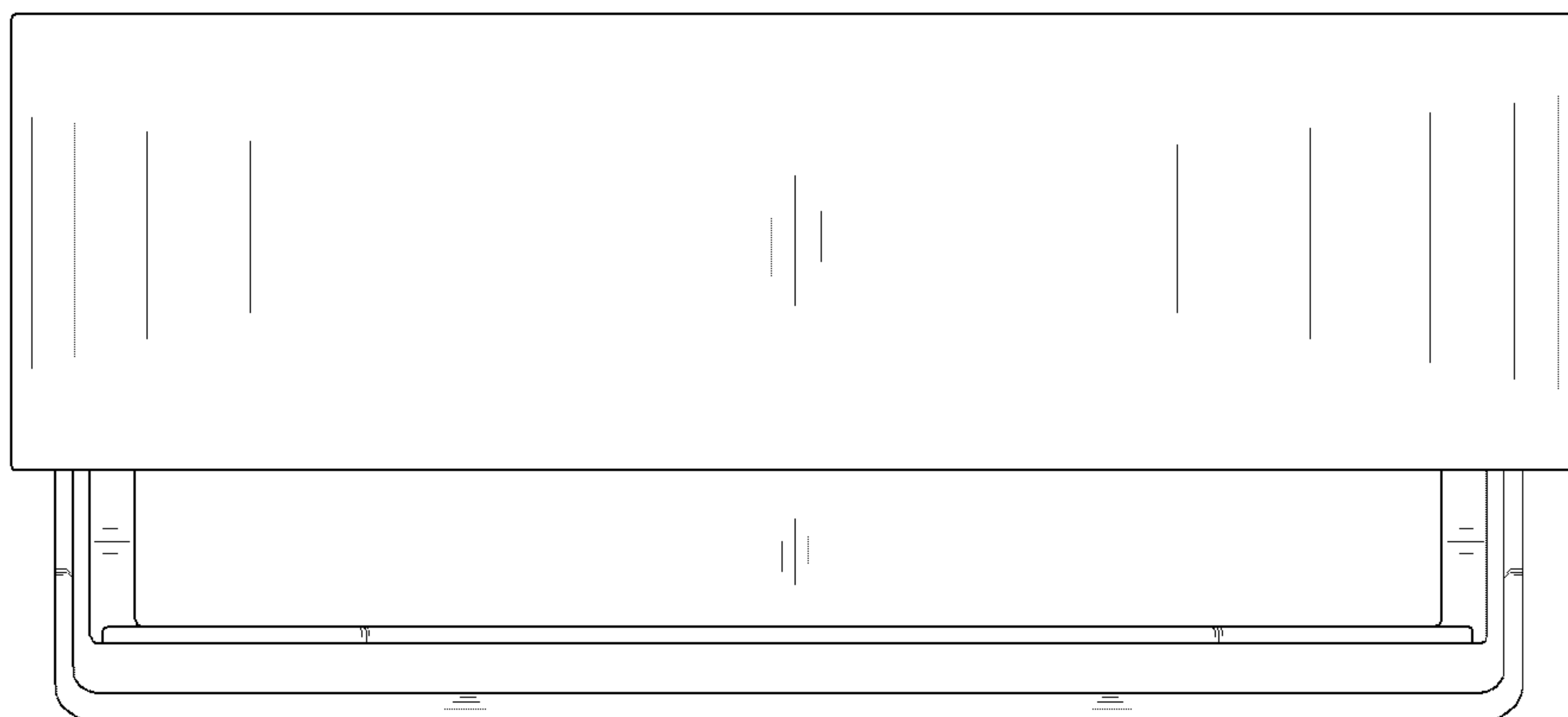


FIG. 4

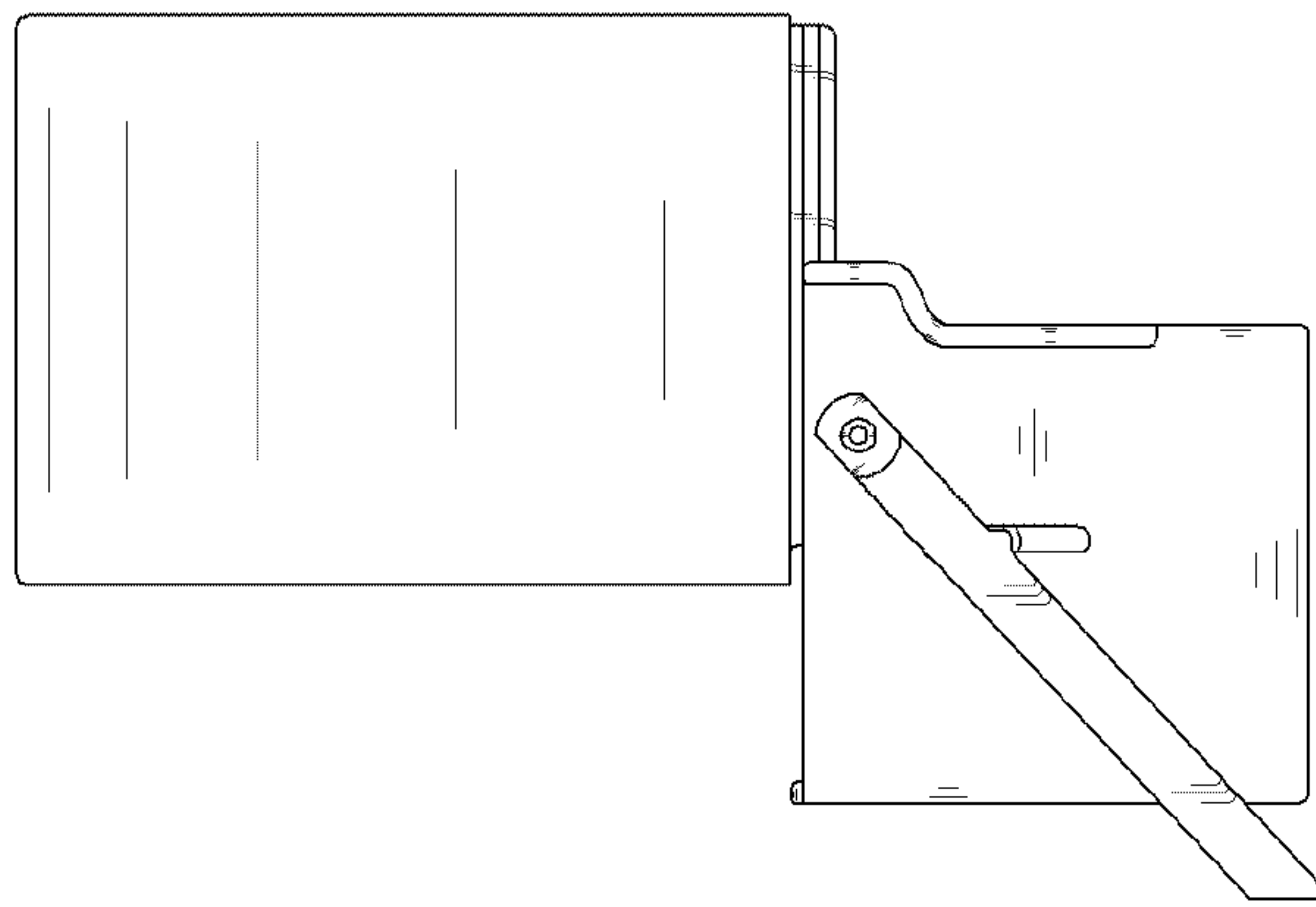


FIG. 5

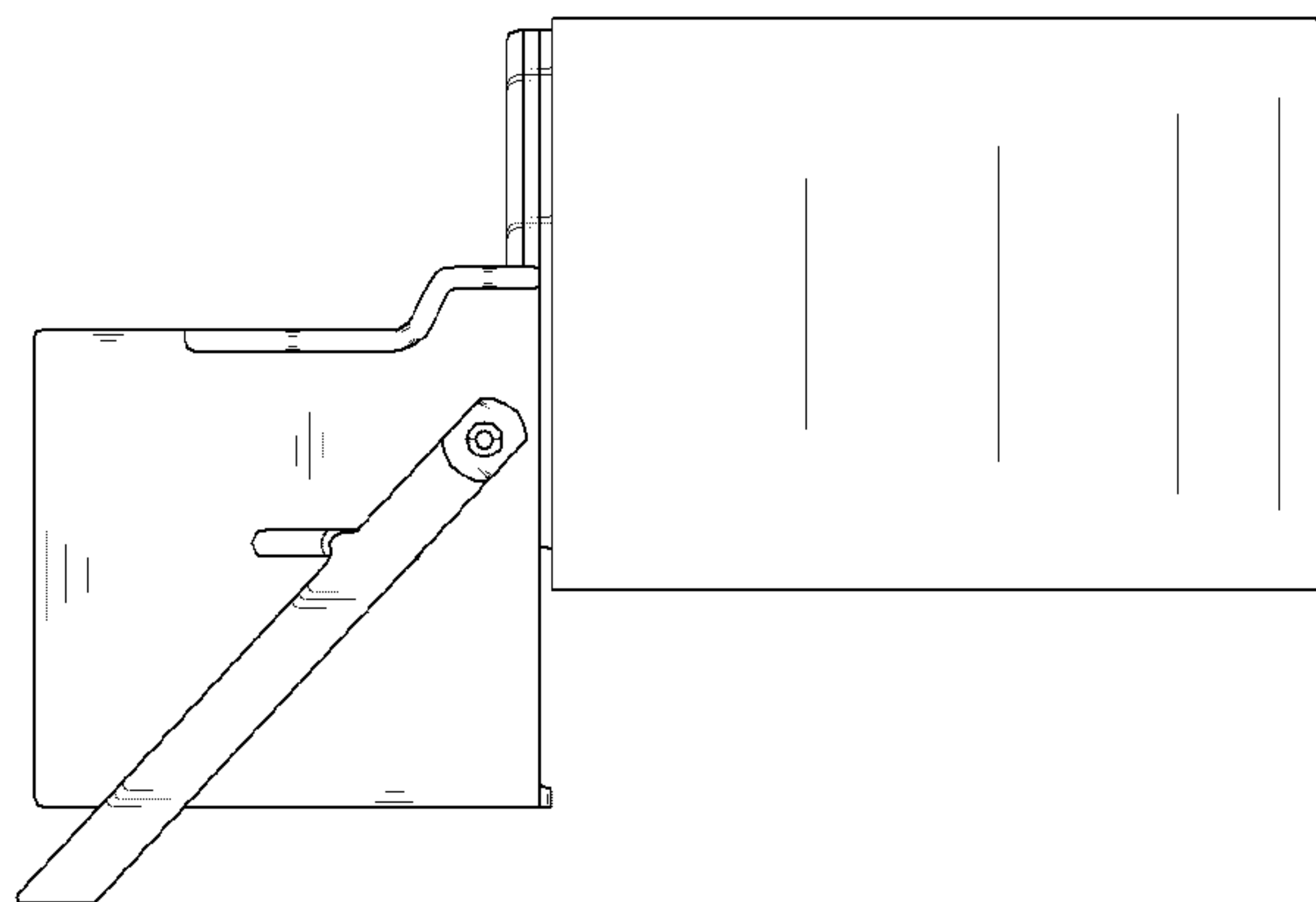


FIG. 6

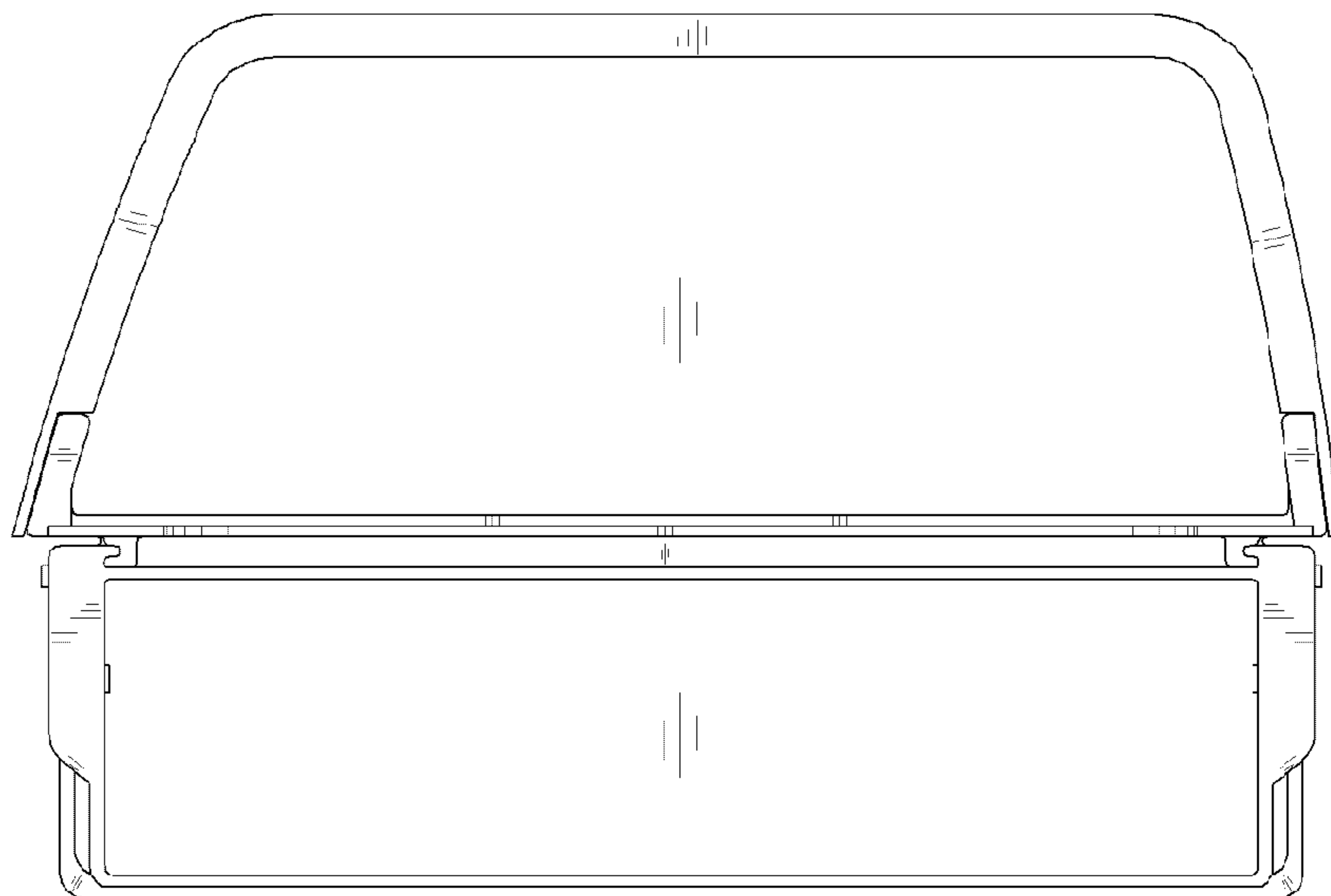


FIG. 7

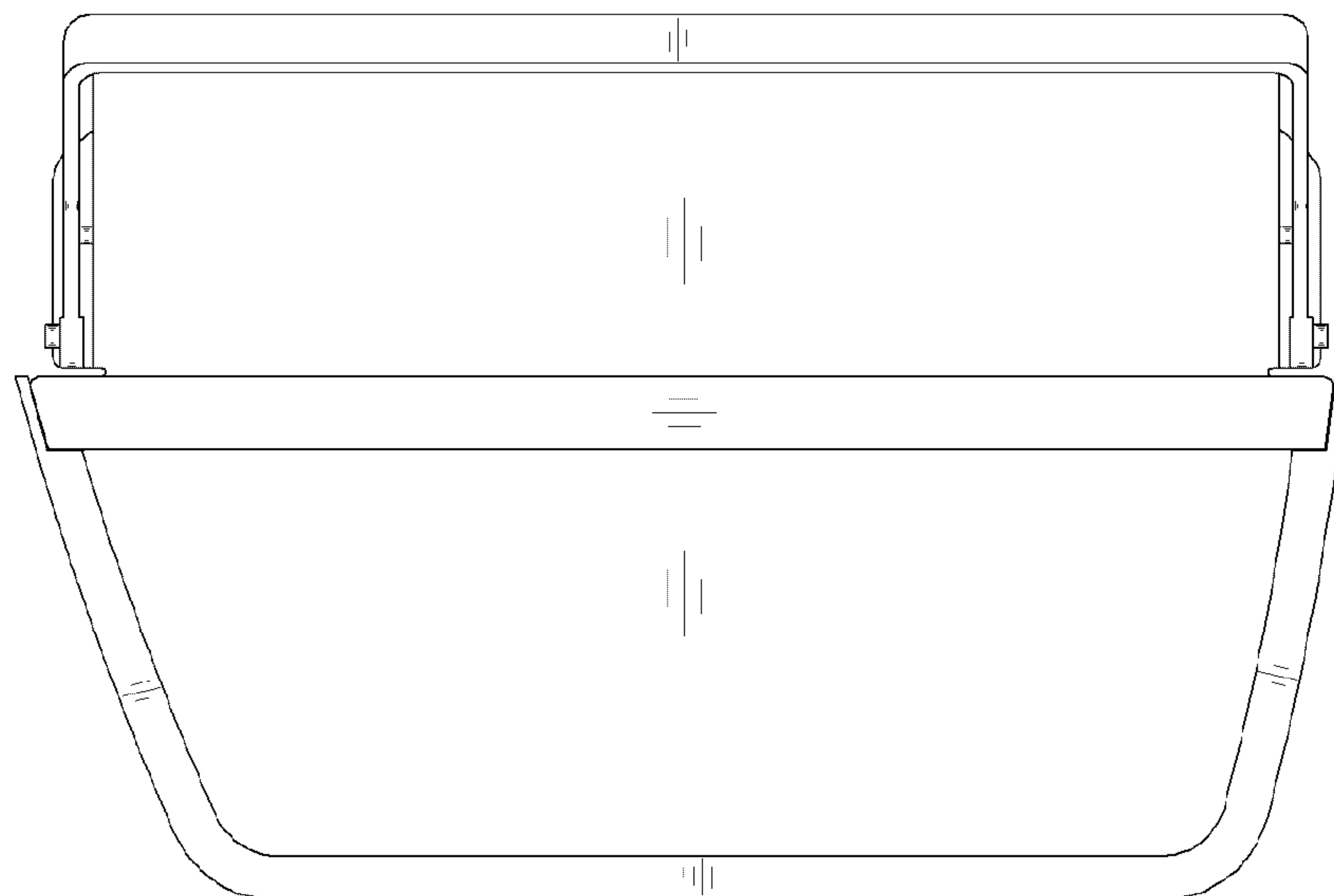


FIG. 8

